

NHA-U-WMT Wall Mount

www.boschsecurity.com



BOSCH

Invented for life

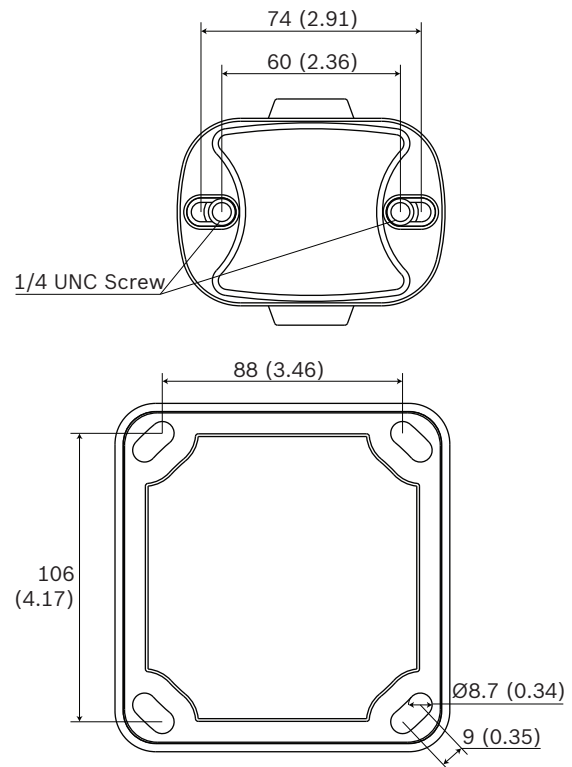
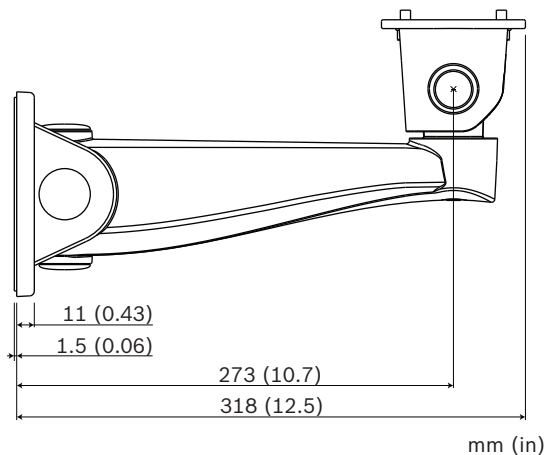


- ▶ Sturdy construction
- ▶ Easy installation
- ▶ Hollow core for cable-free appearance
- ▶ Tough 4-bolt anchoring

This easy-to-install and sturdy wall mount is specifically designed for camera housings. The design enables complete cable management, concealing wires for maximum protection and aesthetics.

Installation/configuration notes

Dimensions



Parts included

The packaging contains:

Quantity	Component
1	Wall mount bracket
1	Quick install guide
1	Hex wrench
4	Screws (ST6x40)
4	Plugs (Ø10)
4	Screws (M8x25)
4	Washers (M8)
4	Washers (M6)

Technical specifications

Construction material	Aluminum alloy
Finish	RAL 9003 signal white

Ordering information

NHA-U-WMT Wall Mount
Universal Wall Mount Bracket
Order number **NHA-U-WMT**

Represented by:

Europe, Middle East, Africa:
Bosch Security Systems B.V.
P.O. Box 80002
5600 JB Eindhoven, The Netherlands
Phone: + 31 40 2577 284
emea.securitysystems@bosch.com
emea.boschsecurity.com

Germany:
Bosch Sicherheitssysteme GmbH
Robert-Bosch-Ring 5
85630 Grasbrunn
Germany
www.boschsecurity.com

North America:
Bosch Security Systems, Inc.
130 Perinton Parkway
Fairport, New York, 14450, USA
Phone: +1 800 289 0096
Fax: +1 585 223 9180
onlinehelp@us.bosch.com
www.boschsecurity.us

Asia-Pacific:
Robert Bosch (SEA) Pte Ltd, Security Systems
11 Bishan Street 21
Singapore 573943
Phone: +65 6571 2808
Fax: +65 6571 2699
apr.securitysystems@bosch.com
www.boschsecurity.asia