



# WNX-40 SERIES

Wireless Passive  
Infrared Detector

## WIRELESS



### WALL MOUNT WIRELESS PIR WITH BUILT IN TRANSMITTER

The wireless WNX-40 Passive Infrared Sensor from Optex gives superior detection with high performance against false alarms. With an excellent tolerance to spot temperature changes from movements of blinds, curtains and nuisance animals, the WNX-40 uses OPTEX's patented Quad Zone Logic to accurately discriminate between humans and other sources of infrared heat.



# WNX-40 SERIES



## Wireless Passive Infrared Detector

40' X 40'  
60' X 6' with optional lens

### WNX-40HW

Works with Honeywell® 5800 Wireless Systems

### WNX-40DS

Works with DSC® 433MHz Wireless Systems

### WNX-402G

Works with 2GIG® Wireless Systems

### WNX-40IX

Works with Interlogix® & QOLSYS® Wireless Systems



### Small Animal Tolerant

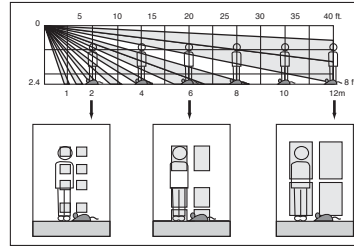
Applies to animals 0-16 inches (0-40cm) in height

\*Product is not produced by, endorsed by, nor is officially associated with Honeywell, DSC, 2GIG, Interlogix, or QOLSYS.

# FEATURES

## Quad Zone Logic

With the highest resistance against false alarm sources such as temperature changes, Quad Zone Logic enables the creation of increased number of high-density detection zones that can differentiate the differences between human and nuisance animals (under 16 inches in height).



## Spherical Lens

Obtains an accurate focal length for each detection zone and maximizes the performance of Quad Zone Logic.

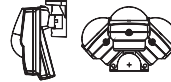
## Temperature Compensation

The Eco chip includes a temperature compensation circuit. It controls sensitivity to improve stability against changes in environmental conditions.

## Sealed Optics

The pyroelectric element's field of view is fully enclosed by the sealed optics mechanism of the lens, cover and the sealed optics form prevents insects from crossing in front of the pyroelectric element. The sealed optics also protect against drafts through wiring holes. Easy knockouts reduce extra space between holes and cables, further enhancing the seal of the entire housing.

## Optional Accessories



**FA-3** Wall & Ceiling Mounting Bracket  
±45° horizontal, 0° to 15° vertical downwards



**FL-60N** Long Range Lens  
changes detection range to 60' X 6'  
Extremely dense Multi-Layer Curtain Lens

## Battery life

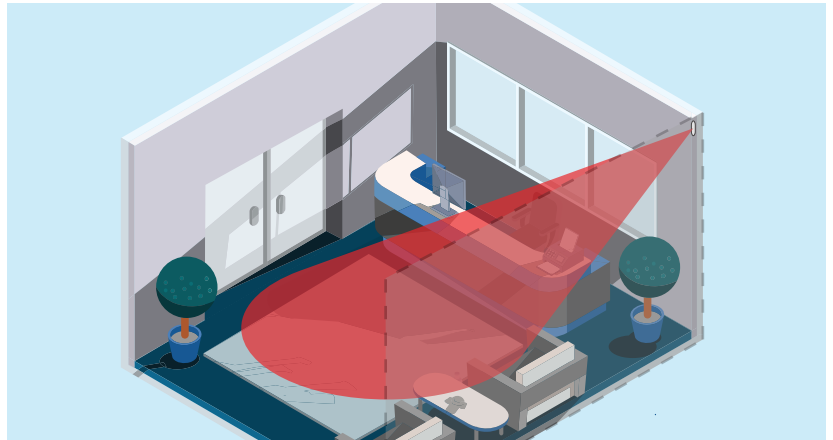
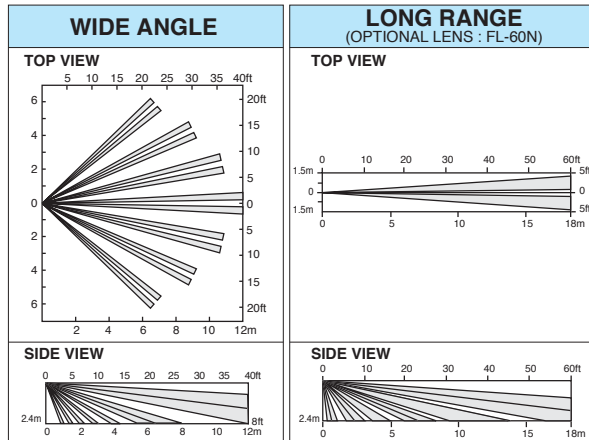
3 years (720 events per day) to 7 years (240 events per day)

## Other Features

Selectable Pulse Count for Sensitivity Adjustments  
LED On/Off Switch (Walk Test)

**Includes Built In Transmitter for Honeywell 5800, DSC 433 MHz, 2GIG, Interlogix, and QOLSYS Wireless Systems**

# DETECTION PATTERNS



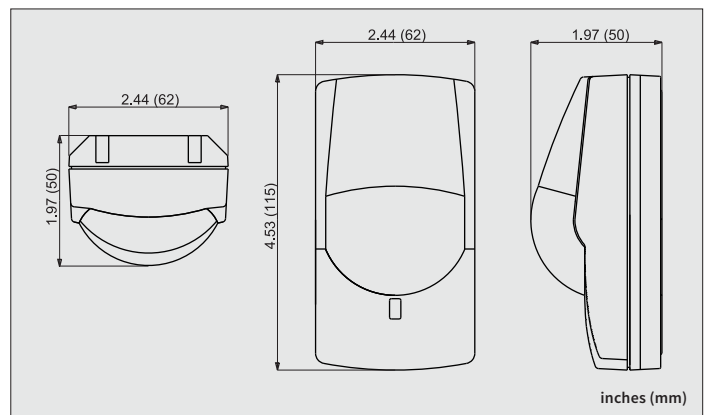
# SPECIFICATIONS

MODEL	WNX-40HW	WNX-40DS	WNX-402G	WNX-40IX
DETECTION METHOD	Passive infrared			
COVERAGE	40ft x 40ft (12m x 12m) 85°, (60ft x 6ft with optional lens)			
DETECTION ZONES	78 zones			
SENSITIVITY	3°F (1.6°C) at 2ft / sec (0.6m/sec)			
DETECTABLE SPEED	1 - 5ft/sec. (0.3 - 1.5m/sec.)			
LED INDICATOR	Switchable ON/OFF			
TAMPER SWITCH	Form C (micro switch)			
PULSE COUNT	Approx. 20 sec 2 or 4			
BATTERY	1 x CR123A Lithium battery			
BATTERY LIFE	3 years (720 events per day) 7 years (240 events per day)			
OPERATING TEMPERATURE	- 4°F - +122°F (-20°C - +50°C)			
ENVIRONMENT HUMIDITY	85% Max			



\*Specifications & design are subject to change without prior notice.  
Note: This unit is designed to detect movement & activate an alarm control panel. Being only a part of a complete system, we cannot assume responsibility for theft or damages should they occur.

# DIMENSIONS



facebook.com/  
optexamerica



@optexamerica



linkedin.com/  
company/optex

## OPTEX INCORPORATED (USA)

18730 S Wilmington Ave #100  
Rancho Dominguez, CA 90220

800.966.7839  
optexamerica.com