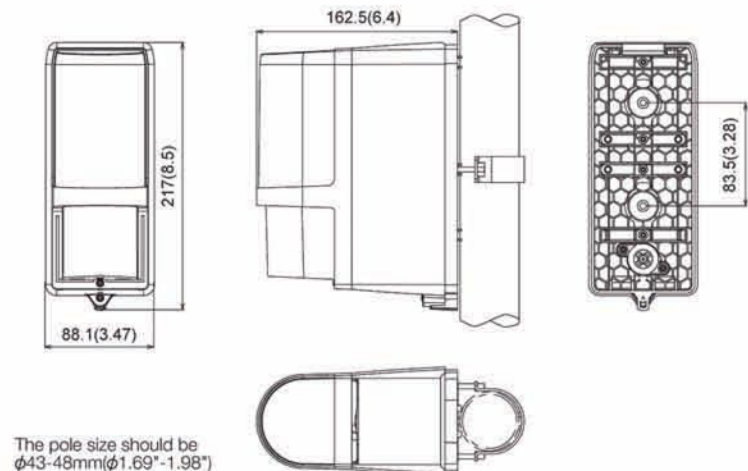


SPECIFICATIONS

Model	AX-100TFR	AX-200TFR
Range	30m (100ft.)	60m(200ft.)
Maximum arrival distance	265m (870ft.)	530m (1,740ft.)
Detection method	Infrared beam interruption detection	
Beam frequency selection	4 channel	
Interruption period	Variable between 50, 100, 250, 500msec (4 steps)	
Power Source	3.6V 13.0Ah : LSH20 lithium batteries manufactured by SAFT(not included) Transmitter : 2 units Receiver : 2 units	
Current draw	620µA T:300µA + R:320µA (at 25°C,3.6VDC)	810µA T:490µA + R:320µA (at 25°C,3.6VDC)
*Battery life	Transmitter Receiver 5 years	3 years 5 years
Output	Alarm output	Form C-Solid State Switch : 3.6 VDC, 0.01A
	Alarm period	2 sec (± 1) nominal
	D.Q. output	Form A/B-Solid State Switch : 3.6 VDC, 0.01A
	Low battery output	Form A/B-Solid State Switch : 3.6 VDC, 0.01A (Transmitter & Receiver)
	Tamper output for Front cover	Form C : 3.6VDC, 0.01A activates when cover removed. (Receiver only)
Tamper output for Back box	Form C : 3.6VDC, 0.01A activates when either back box or chassis is removed from the installment.	
Indicator	Alarm Indicator (Receiver)	(1) Light on - IR Beam not received. (2) Flickering Light - IR Beams not received sufficiently. (3) Light off - IR Beams received.
	Power (Transmitter)	Power ON : ON, Power OFF : OFF
	Low battery	Voltage Reduction : flicker
Operating temperature	-4°F ~ +140°F(-20°C ~ +60°C)	
Operating ambient humidity	95%(Max.)	
Alignment angle	± 90° Horizontal, ± 5° Vertical	
Mounting	Indoor/Outdoor, Wall/Pole/Tower mounting (Optional main unit mounting brackets are required, when the units mount in the tower.)	
Weight	56.5oz (Total weight of transmitter + receiver,excluding accessories)	
International protection	IP55	

Specifications and design are subject to change without prior notice.

DIMENSIONS

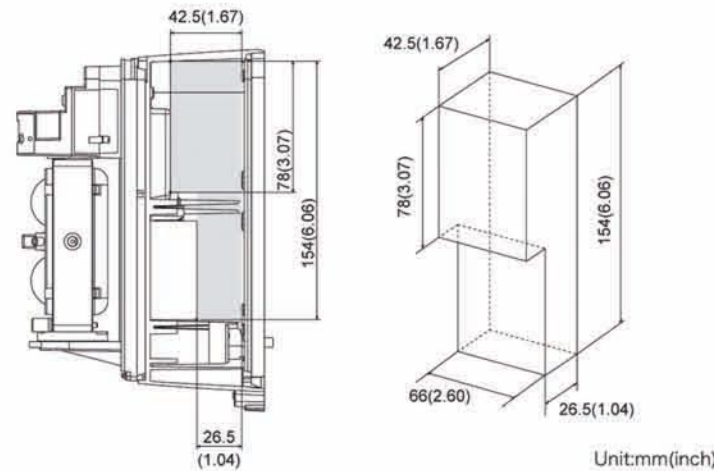


The pole size should be φ43-48mm(φ1.69"-1.98")

Unit:mm(inch)

SPACIOUS BACK BOX

The following figure shows the dimensions of the wireless transmitter installation space in the back box. Note that transmitters with dimensions greater than those are not applicable.

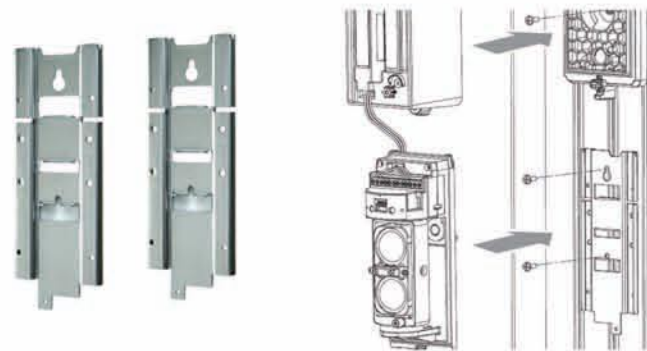


Unit:mm(inch)

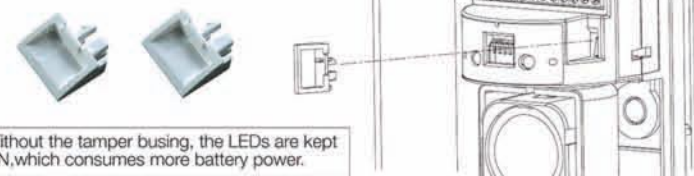
OPTIONS

MP-4 : Main unit mounting bracket set (for tower mounting)

Main unit mounting bracket



Tamper Busing



Without the tamper busing, the LEDs are kept ON, which consumes more battery power.

NOTE:

These units are designed to detect an intruder and activate an alarm control panel. Being only a part of a complete system, we cannot accept responsibility for any damages or other consequences resulting from an intrusion. These products conform to the EMC Directive 2004/108/EC.



Battery Operated Photoelectric Detector

AX-TFR Series

NO WIRES, NO HASSLES. FINALLY.

- 100ft. (AX-100TFR) and 200ft. (AX-200TFR) Models
- Significant cost saving alternative to traditional hardwired systems
- Long battery life
[Aprox. five (5) years for the 100TFR and three (3) years for the 200TFR]
- Low battery output and LED
- Works with most manufacturers wireless systems
- D.Q. circuit (environmental disqualification)
- IP 55 Rated

AX-100/200TFR

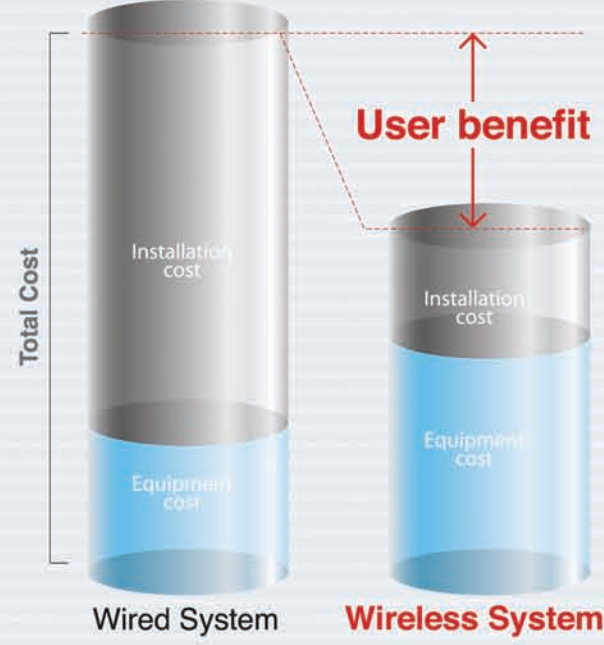


The AX-100/200TFR is a **REVOLUTION** in the perimeter security industry, offering a significant cost saving alternative to a traditional hardwired system.



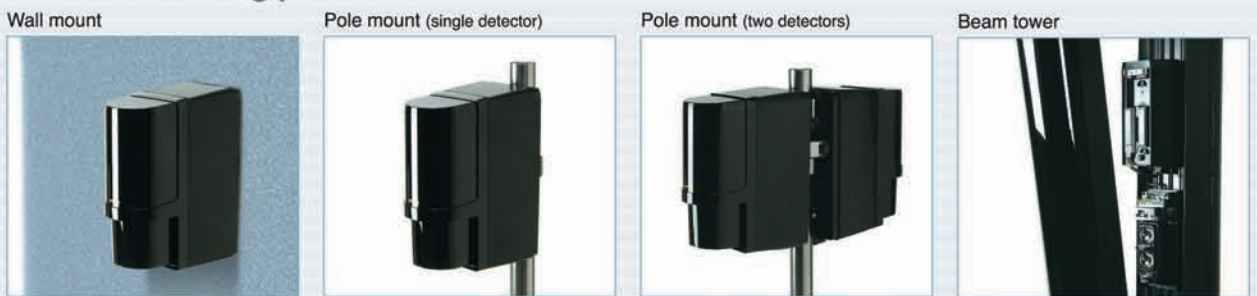
Advantage of Wireless Photoelectric Detector

1 Low installation costs



- 2 Quick & easy installation
- 3 Flexible location
- 4 Wireless stylish design
- 5 Free from lightning damage
- 6 **Compatible with numerous wireless transmitters**

Various mounting patterns



Optional bracket(MP-4) required

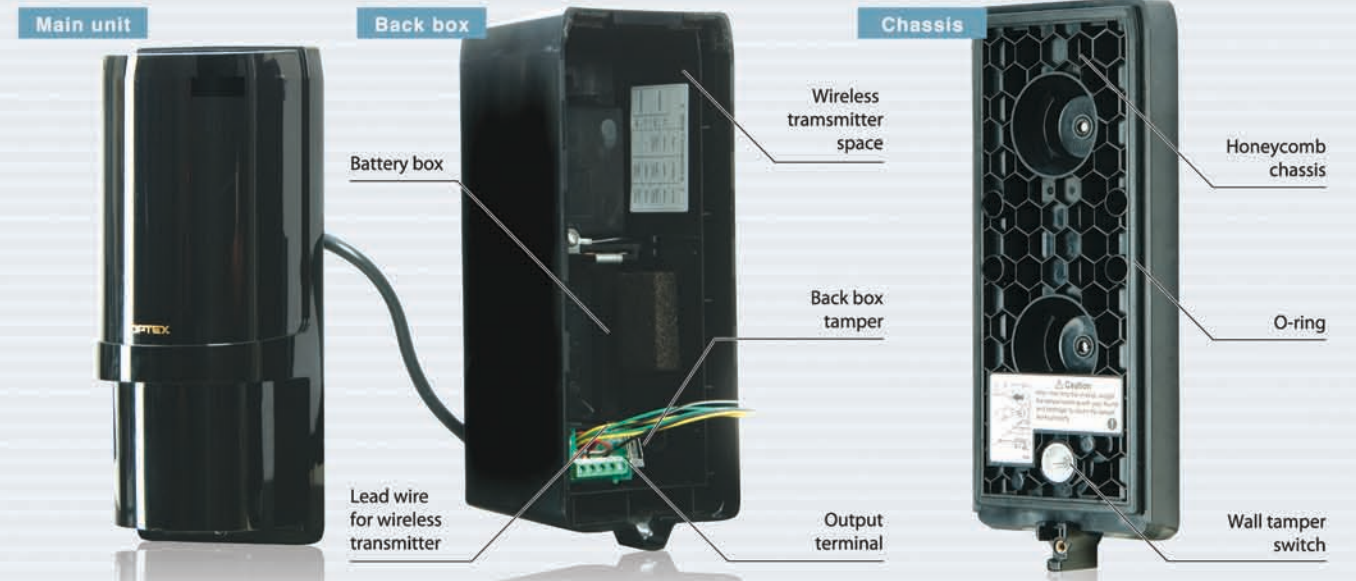
New features

Long battery life

● AX-100TFR(30m) : Approx. **5 years** ● AX-200TFR(60m) : Approx. **3 years**

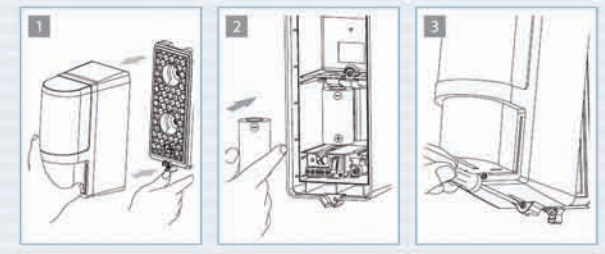
*Use four LSH20 (3.6V, 13Ah) batteries manufactured by SAFT(not included).
**Battery life of AX-200TFR receiver is approximately 5 years.

Multi functional back box



Easy battery replacement

It allows you to easily replace the batteries without opening the front cover. Not necessary to do the optical alignment.



Triple tamper functions

Form C output activates when either cover or back box as well as chassis is removed.



Low battery output and LED

The unit automatically outputs when the battery power becomes low. To monitor the low battery signal, another wireless transmitter is required. Low battery LED will flicker when a front cover is removed.



Intermittent output function

Alarm Signals are sent periodically to avoid missed alarm while the beam is broken. Its function is effective for wireless systems which do not recognize "Restore" status.



Battery saving timer

Alarm output activation are limited by a timer to 2 minutes. Even if there are continuous alarm events, the alarm output operates only once in the timer period. It prolongs the battery life of a wireless transmitter.

Basic performance

- 99% Beam blocking stability
- 4 selectable beam frequencies
- D.Q.circuit (environmental disqualification)
- N.C./N.O. output selection switch
- A.G.C. circuit
- International protection IP55
- Beam interruption adjustment function
- High grade aspherical lens
- Easy angle adjustment function