

SSU-WP-1

WEATHERPROOF ENCLOSURE FOR SMOKE DETECTORS

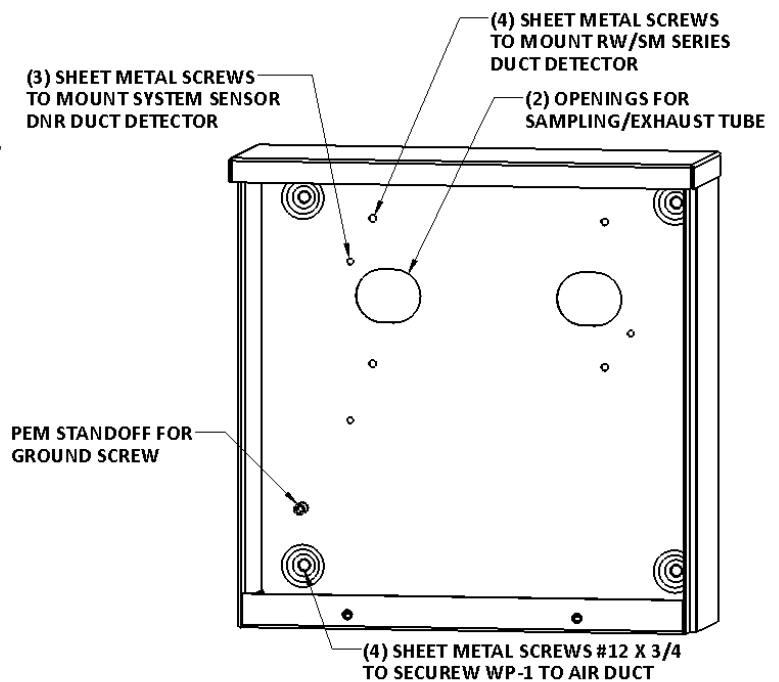
PRODUCT SPECIFICATIONS

USE:	SM/RW Series duct smoke detectors System Sensor DNR duct smoke detector
CONDUIT KNOCKOUTS:	On bottom: 3 convertible 0.875"
MATERIAL:	16ga CRS white painted finish
FRONT ACCESS:	Removable Cover with two screws
HARDWARE:	Enclosure mounting screws and ground screw kit included
PROTECTION RATING:	Type 1 and Type 3R – UL 50 and CSA Outdoor: Internal equipment protected from falling rain, etc: undamaged by ice formation
ENVIRONMENTAL:	See appropriate duct smoke detector specifications
APPROVALS:	UL: BGUZ.E257104 CUL: BGUX7.E257104

CAUTION: DE-ENERGIZE ALL POWER BEFORE INSTALLATION OR SERVICE

MOUNTING

1. Remove paper backing from mounting template from detector kit and affix to the air duct at desired location.
2. Using the template as a guide, drill or punch (2) 1-1/4" dia. holes in the air duct, for the sampling tube/exhaust tube.
3. Position the SSU-WP-1 enclosure in such a way that the holes (on the template and SSU-WP-1) are lined up with each other.
4. Mark the (4) SSU-WP-1 air duct mounting holes. Then drill (4) 3/32" (2.5mm) pilot holes as marked.
5. Secure SSU-WP-1 enclosure to the duct with (4) #12 x 3/4" sheet metal screws (SSU-WP-1 kit).
6. Fit the duct smoke detector into the 1-1/4" holes on the air duct.
7. Secure the duct detector with sheet metal screws (from detector kit) to the SSU-WP-1 enclosure.
8. Connect sampling tube/exhaust tube to the duct detector (position the sampling tube in such a way that air flows into the intake holes).



SSU-WP-1-SE

SEVERE WEATHERPROOF ENCLOSURE FOR SMOKE DETECTORS

PRODUCT SPECIFICATIONS

USE:	SM/RW Series duct smoke detector System Sensor DNR duct smoke detector
CONDUIT KNOCKOUTS:	On bottom: 3 convertible 0.875"
MATERIAL:	16ga SST white painted finish
FRONT ACCESS:	Removable Cover with two screws
HARDWARE:	Enclosure mounting screws, ground screw kit, and vent tube kit included
PROTECTION RATING:	Type 1 and Type 3R – UL 50 and CSA Outdoor: Internal equipment protected from falling rain, etc: undamaged by ice formation
ENVIRONMENTAL:	See appropriate duct smoke detector specifications
APPROVALS:	UL: BGUZ.E257104 CUL: BGUX7.E257104

CAUTION: DE-ENERGIZE ALL POWER BEFORE INSTALLATION OR SERVICE

MOUNTING

1. Remove paper backing from mounting template from detector kit and affix to the air duct at desired location.
2. Using the template as a guide, drill or punch (2) 1-1/4" dia. holes in the air duct, for the sampling tube/exhaust tube.
3. Position the SSU-WP-1-SE enclosure in such a way that the holes (on the template and SSU-WP-1-SE) are lined up with each other.
4. Mark the (4) SSU-WP-1-SE air duct mounting holes. Then drill (4) 3/32" (2.5mm) pilot holes as marked.
5. Secure SSU-WP-1-SE enclosure to the duct with (4) #12 x 3/4" sheet metal screws (SSU-WP-1-SE kit).
6. Fit the duct smoke detector into the 1-1/4" holes on the air duct.
7. Secure the duct detector with sheet metal screws (from detector kit) to the SSU-WP-1-SE enclosure.
8. Connect sampling tube/exhaust tube to the duct detector (position the sampling tube in such a way that air flows into the intake holes).

INSTALLING VENT TUBES

1. Punch out (2) .875" knockouts.
2. Feed vent tube (side without tab) through vent tube holder and larger side of grommet, as shown, until vent tube is flush with grommet. (make sure vent tube tab lines up with slot in vent tube holder).
3. Feed same side through open knockout.
4. Use mount plate, (2) #6 lock washers, and (2) 6-32 screws to hold vent tube in place, make sure tube vent is up against mount plate, and tab of vent tube is pointing inwards before tightening.

