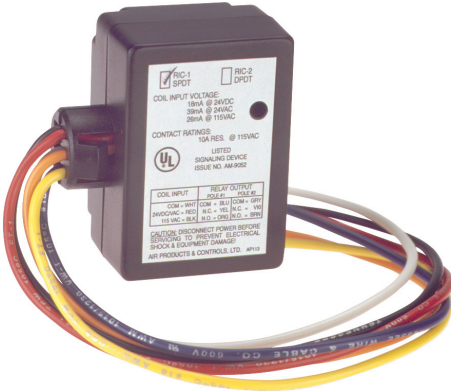


RIC SERIES MULTI-VOLTAGE RELAY MODULES

PRODUCT DESCRIPTION

The SSU-RIC-1 and SSU-RIC-2 Series Relays are multi-voltage devices providing form “C” contacts rated for up to 10 amps. The relays may be energized by one of three input voltages: 24VDC, 24VAC, or 115VAC. Each relay contains a red LED which indicates when the relay coil is energized. To mount the SSU-RIC-1 and SSU-RIC-2 place the spud through a 1/2 in. (12.7mm) knockout on a junction box. The relays are also packaged with wire-nuts to aid installation.

The SSU-RIC-1 and SSU-RIC-2 Relays are ideal for applications where remote relays are required for control or status feedback. They are suitable for use with HVAC, Temperature Control, Fire Alarm, Security, Energy Management and Lighting Control Systems.

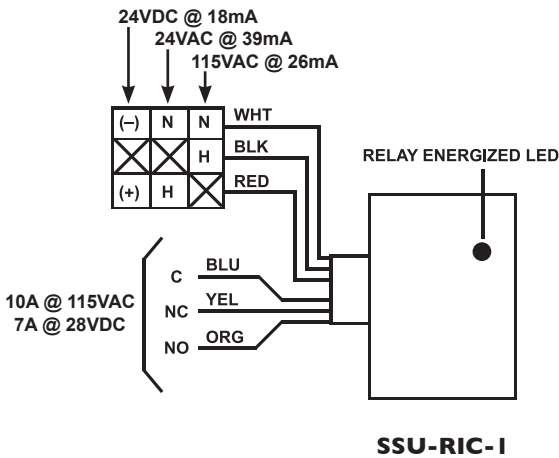


SSU-RIC-1

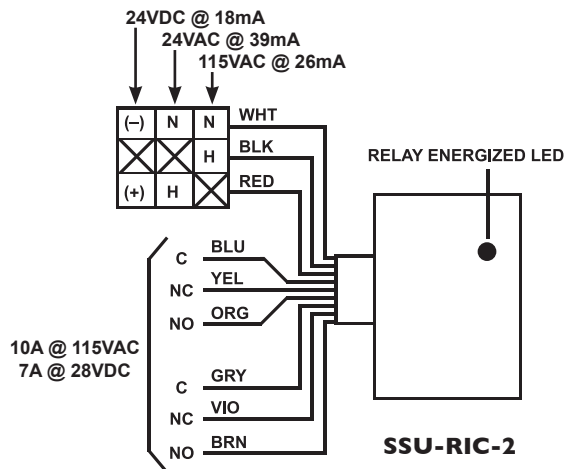


SSU-RIC-2

WIRING



SSU-RIC-1



SSU-RIC-2

UUKL
Smoke Control



CSFM LISTED

MEA ACCEPTED

PRODUCT SPECIFICATIONS

MODEL NUMBER:	RIC-1	RIC-2
POWER REQUIREMENTS:	24VAC/24VDC/115VAC	24VAC/24VDC/115VAC
POLARIZED:	No	No
ENERGIZED LED INDICATOR:	Yes	Yes
COIL REQUIREMENTS:		
@24VDC	18mA	18mA
@24VAC	39mA	39mA
@115VAC	26mA	26mA
CONTACT CONFIGURATION:	(1) SPDT dry form "C"	(1) DPDT dry form "C"
CONTACT RATINGS:		
@28VDC	7A resistive	7A resistive
@115VAC	10A resistive / 0.35PF inductive	10A resistive / 0.35PF inductive
WIRE LEADS:	6 "flying" leads 12" / 18 AWG Wire-nuts provided	9 "flying" leads 12" / 18 AWG Wire-nuts provided
AMBIENT TEMPERATURE:	32°F to 120°F	32°F to 120°F
@ 85% RH, NON-condensing	(0°C to 49°C)	(0°C to 49°C)
MOUNTING:	Spud mounting through 1/2" conduit knockout	
DIMENSIONS:		
H	2.50" (63mm)	2.50" (63mm)
W	1.75" (44mm)	1.75" (44mm)
D	1.30" (33mm)	1.30" (33mm)
LISTINGS AND APPROVALS:		
UL*	UOXX/7.S3403	UOXX/7.S3403
UUKL*	UL864	UL864
MEA	73-92-E Vol. 23	73-92-E Vol. 23
CSFM	7300-1004:101	7300-1004:101

*UOXX=Control Unit Accessories, System; /7=also Certified for Canada

*UUKL (UL864) = Smoke Control System Equipment System

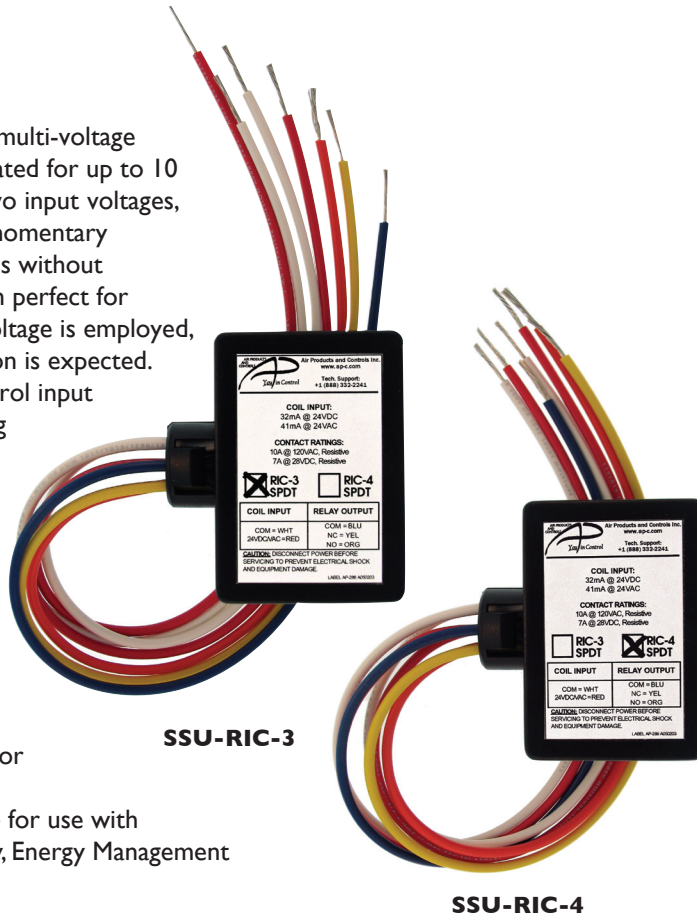
RIC-3 and RIC-4

PULSED-INPUT, STEADY-OUTPUT RELAYS

PRODUCT DESCRIPTION

The SSU-RIC-3 and SSU-RIC-4 Series relays are multi-voltage devices providing SPDT or form "C" contacts rated for up to 10 Amps. The relays may be energized by one of two input voltages, 24VDC or 24VAC. The relays can withstand a momentary interruption of control voltage for 2 to 3 seconds without dropping their contacts. This feature makes them perfect for applications where pulsed or sequenced input voltage is employed, or where momentary control voltage interruption is expected. The SSU-RIC-3 is non-polarized on the DC control input and the SSU-RIC-4 is DC input polarized making the SSU-RIC-4 a perfect choice for supervised pulsing circuits which require a "steady" contact output. To mount the SSU-RIC-3 or SSU-RIC-4 push the spud through a 1/2" (12.7mm) knockout on a junction box. In addition to the redundant wire leads provided on the control voltage input, the relays are also packaged with wire-nuts to aid installation.

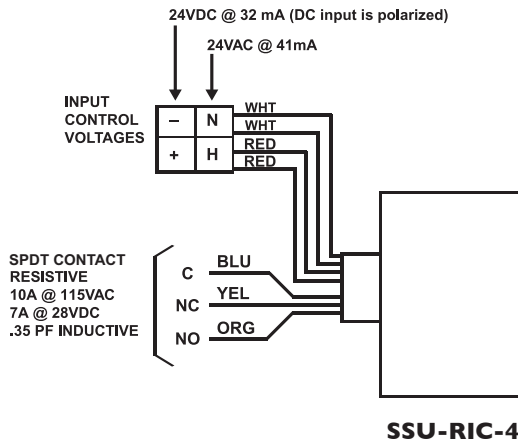
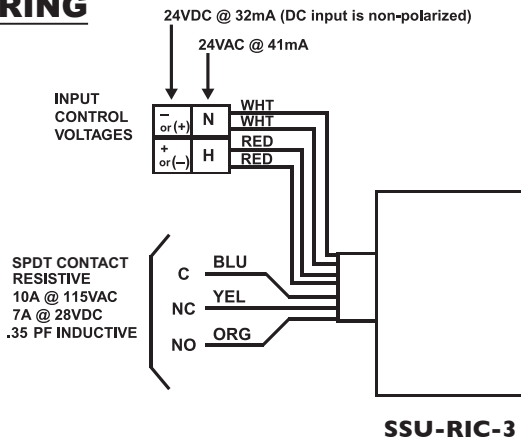
The SSU-RIC-3 and SSU-RIC-4 Relays are ideal for applications where remote relays are required for control or status feedback. They are suitable for use with HVAC, Temperature Control, Fire Alarm, Security, Energy Management and Lighting Control Systems.



SSU-RIC-3

SSU-RIC-4

WIRING



UUKL
Smoke Control



CSFM LISTED

MEA ACCEPTED

PRODUCT SPECIFICATIONS

MODEL NUMBER:	SSU-RIC-3	SSU-RIC-4
POWER REQUIREMENTS:	24VAC or 24VDC (non-polarized)	24VAC or 24VDC (polarized)
DELAY UPON DE-ENERGIZATION:	2-3 Seconds	2-3 Seconds
COIL REQUIREMENTS:		
@24VDC	32mA	32mA
@24VAC	41mA	41mA
CONTACT CONFIGURATION:	(1) SPDT dry form "C"	(1) SPDT dry form "C"
CONTACT RATINGS:		
@28VDC	7A resistive	7A resistive
@115VAC	10A resistive / 0.35PF inductive	10A resistive / 0.35PF inductive
WIRING:		
	7 "flying" leads	7 "flying" leads
	12" / 18 AWG Stranded	12" / 18 AWG Stranded
	Wire-nuts provided	Wire-nuts provided
AMBIENT TEMPERATURE:	32°F to 120°F	32°F to 120°F
@ 93% RH, non-condensing	(0°C to 49°C)	(0°C to 49°C)
MOUNTING:	Spud mounting through ½" conduit knockout	
DIMENSIONS:		
H	2.50" (63mm)	2.50" (63mm)
W	1.75" (44mm)	1.75" (44mm)
D	1.30" (33mm)	1.30" (33mm)
LISTINGS AND APPROVALS:		
UL*	UOXX/7.S3403	UOXX/7.S3403
	UUKL	UUKL
MEA	73-92-E Vol. 34	73-92-E Vol. 34
CSFM	7300-1004: 101	7300-1004: 101

*UOXX=Control Unit Accessories, System; /7=also Certified for Canada

*UUKL (UL864) = Smoke Control System Equipment System



www.1sae.com | office 978.212.1312 | fax 508.485.4740

© Copyright 2018 Space Age Electronics, Inc. | This document is subject to change without notice | LT10280 | ED0400 | Rev. C