



## FEATURES

- Durable 18 gauge construction
- Easy field assembly and image updates
- Shatterproof Lexan cover
- Adjustable for different media types from paper to 3/8" thick material
- Overall dimensions: 8 3/4" x 11 1/4" x 1/2" deep

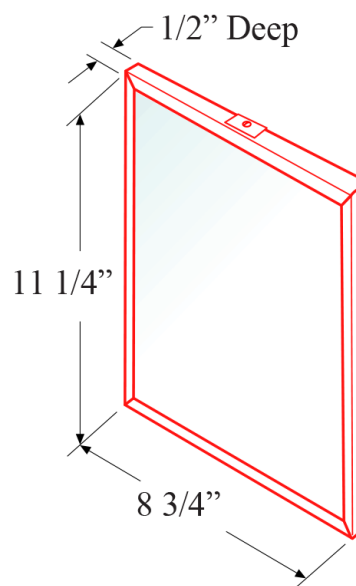
Aesthetically pleasing and cost effective metal housing to protect your image or message.

Common uses for the CGF include evacuation maps, emergency instructions, code frames, location indication maps and building floor plans.

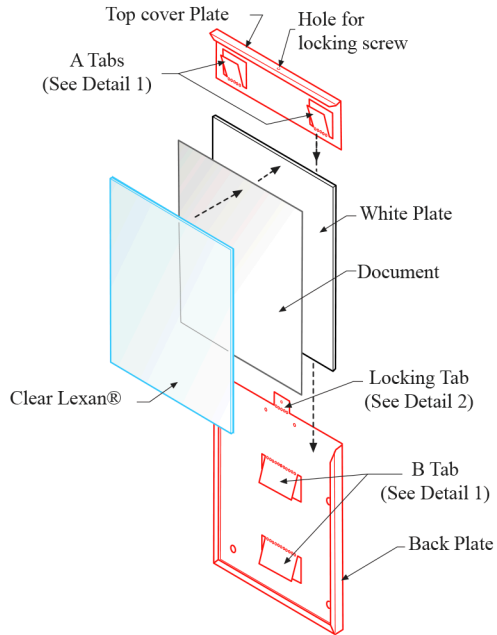
## SPECIFICATIONS

The CGF Code/Graphic Frame will allow for easy image display updates without the need to remove the frame from the wall. The top securing plate shall have an included security screw to prevent tampering of information secured inside the frame. The frame will be constructed from 18 gauge cold rolled steel with a red powder coat finish. Dimensions shall be 8 3/4" x 11 1/4" x 1/2" deep. Image or display will be protected behind a polycarbonate Lexan cover and have a 3/64" thick white aluminum back plate for support. The unit shall have concealed mounting hardware not accessible when the unit is fully assembled.

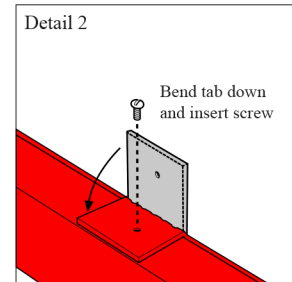
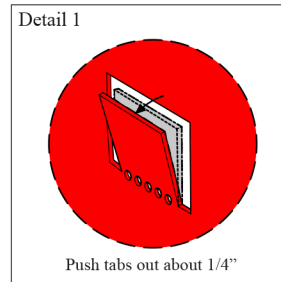
## DIMENSIONS



## INSTALLATION



- Remove top cover plate from unit.
- Push A & B tabs towards the inside of the plates, on both back plate and top plate (see Detail 1).
- Mount back plate to wall, with opening up.
- Place document on white plate, place clear Lexan over document.
- Slide all three pieces into back plate. Plate should push against tabs.
- Slide top plate into opening at top of back.
- Bend locking tab down and insert screw (see Detail 2).



## Ordering Information:

## ORDERING INFORMATION

P/N# SSU52010

CGF Code/Graphic Frame