

NO EXCUSES!

3 Uses In 1



RECORDS PARTS AND BATTERY BOX

The RPB is a multi-function box designed to help you meet demanding code and specification requirements.

As a **System Record Document** box the RPB allows you to store your test and maintenance records, and is deep enough to accommodate for system manuals, drawings and more.

NFPA 72 2013 7.7.2.1 states, "With every new system, a documentation cabinet shall be installed at the system control unit or other approved location at the protected premises."

NFPA 72 2013 7.7.2.4 states that a cabinet must be "prominently labelled 'SYSTEM RECORD DOCUMENTS'."

As a **Spare Parts Box** the RPB Box has ample room to store spare smoke detectors, pull stations, modules and notification devices among other system components. This insures that service on the system during inspections can be completed in a timely manner. Minimize down time on legacy systems where replacement parts are difficult to find locally.

The RPB has 3 knockouts and may also serve as a **Battery Box**. Inner dimensions of 14" wide and 7 1/2" deep, large enough to hold multiple batteries with ease and allow for easy access for service.

This durable 16 gauge steel enclosure with a lift-away hinge and key lock will keep all of your code required documents, spare parts, or batteries in one safe place.

All three labels made out of Reflective material!

FIRE ALARM SPARE PARTS

FIRE ALARM BATTERY CABINET

Standard Features:

- Surface or flush mount
- Overall dimensions are 16" x 13 3/4" tall and 8 1/2" deep
- 16 gauge steel box and cover for security
- Durable powder coat baked on finish other colors available
- Standard 3/4" cat 30 key lock with security screw option. Other keys available
- Lift away door hinge
- Vented cover and bracket for battery storage
- Includes multiple reflective labels:
 - "SYSTEM RECORD DOCUMENTS"
 - "FIRE ALARM SPARE PARTS"
 - "FIRE ALARM BATTERY CABINET"



ISO 9001 REGISTERED COMPANY

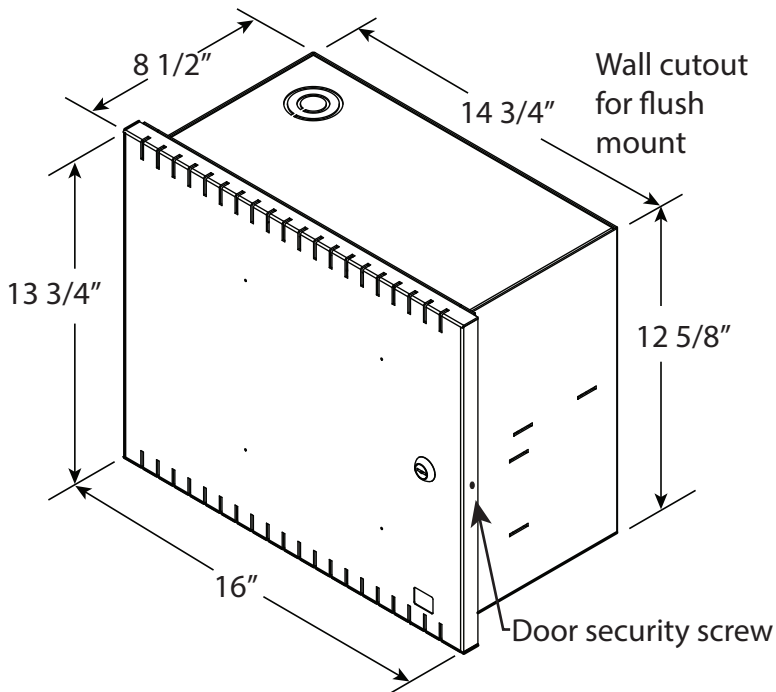
ACEBOX

Space Age Electronics, Inc.
www.1sae.com
800.486.1723 Toll Free
508.485.0966 Local
508.485.4740 Fax

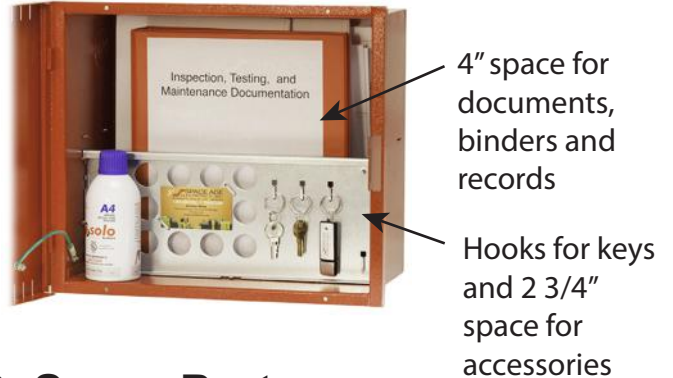
Specifications:

The Records Parts and Battery Box (RPB) shall be UL Listed, constructed of 16 gauge cold rolled steel. It shall have a red powder coat epoxy finish. The access door shall be locked with a 3/4" barrel lock and a lift away hinge with a grounding Strap. The enclosure will supply 4 mounting holes and a grounding lug. Inside the enclosure will accommodate standard 8 1/2 x 11 manuals and loose document records that will be protected within the enclosure. The enclosure shall also provide 2 key ring holders with a location to mount standard business type cards for key contact personnel.

Overall Dimensions:



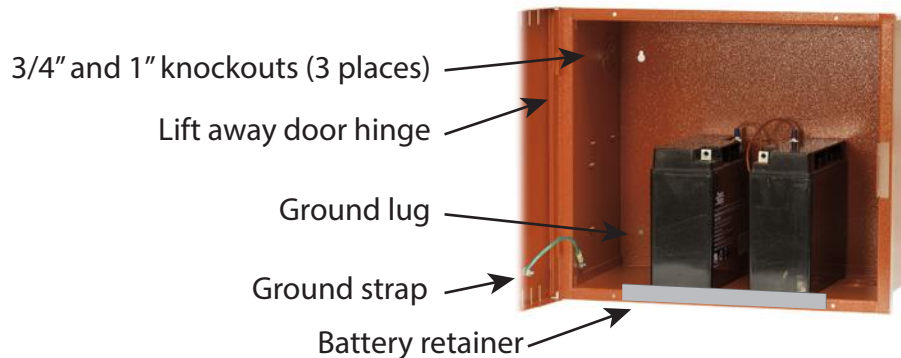
1. System Records



2. Spare Parts



3. Battery Cabinet



ACEBOX

Space Age Electronics, Inc.
www.1sae.com
800.486.1723 Toll Free
508.485.0966 Local
508.485.4740 Fax

Ordering Information:

Part #	Description
SSU00630	RECORDS PARTS AND BATTERY BOX

This document is subject to change without notice, see doc # ED0479 for legal disclaimer