

# FPC FIREMAN PHONE CABINET MOUNTING INSTRUCTIONS

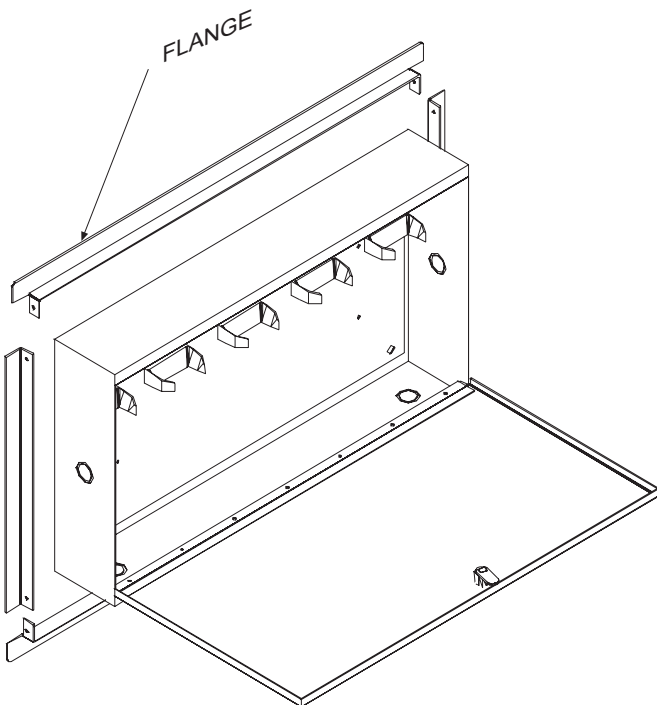
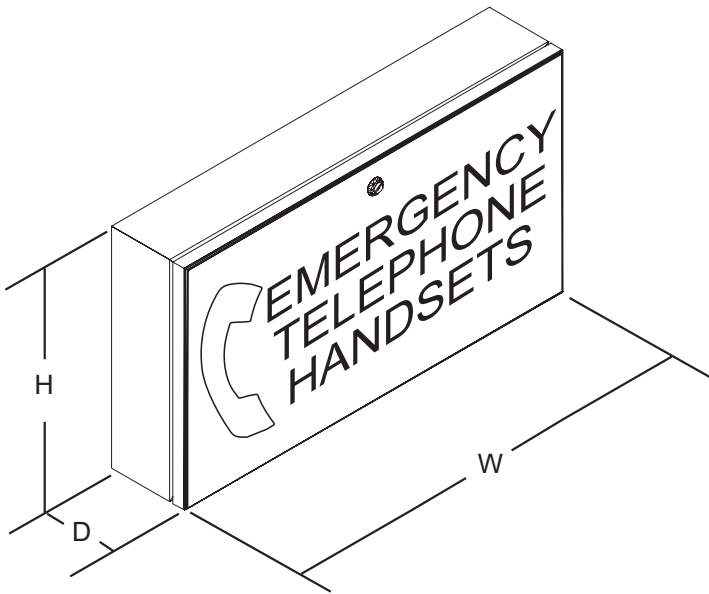
Size Code	Back Box Dimensions
A	23.5" x 13.0"
D	23.5" x 23.5"

### Surface Mounting:

1. Secure Cabinet to wall as required.
2. Attach flange to cabinet with screws provided.

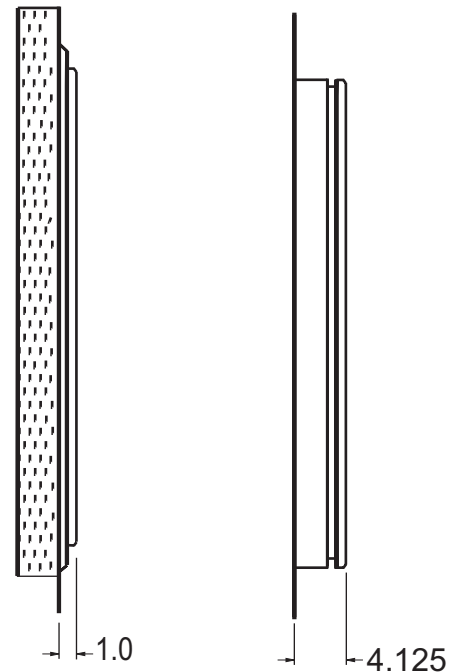
### Semi-Flush Mounting:

1. Prepare wall cut-out based on box dimensions.
2. Recess back box to a depth of 3.125"
3. Secure to wall as required.



Semi-Flush

Surface



### Part Number

### Description

SSU00566

5 Phone Storage Cabinet

SSU00567

10 Phone Storage Cabinet