

## TTS

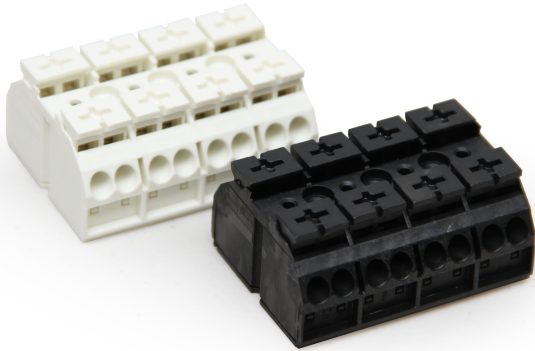
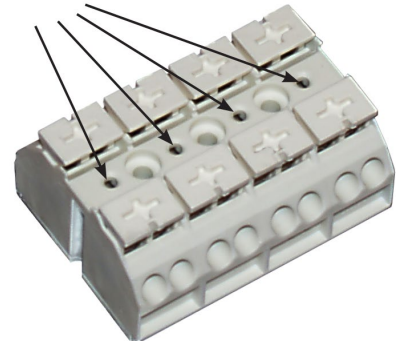
### Tool-Less Terminal Strips

Designed to minimize wiring costs and meet code requirements, these terminal strips allow quick and easy mounting of multiple connection points without the hassle of needing tools to do so.

#### SPECIFICATIONS

The TTS Tool-Less Terminal Strip will be a UL recognized component. There will be four terminal poles with four quick connection points per terminal pole. It shall accommodate connection of solid or stranded and wire sizes ranging from 20 to 12 AWG. There will be four direct test ports for each pole. It will be available in black or white to help improve circuit identification. Measurements are 2" L x 1 3/8" W x 7/8" H. It shall be rated for 25A @300V and 5A @600V.

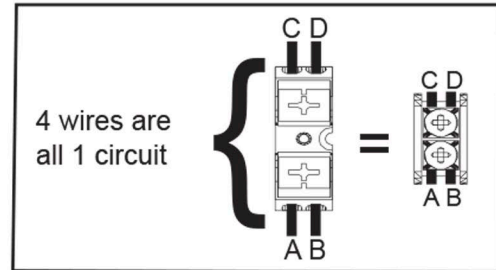
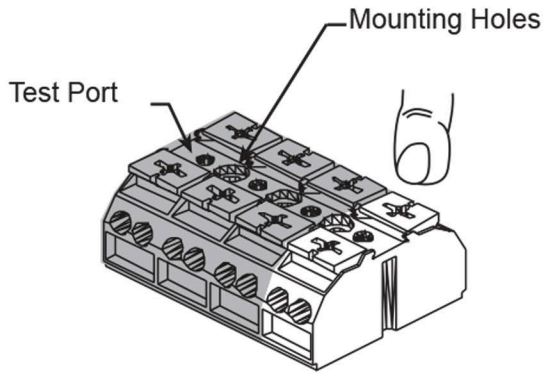
When properly installed, there will be no conductors exposed. All circuit testing can be performed via the individual test ports per circuit.



#### FEATURES

- Each package consists of one terminal block
- Two 4/40 machine screws for mounting
- Accepts 20 to 12 AWG
- Rated for 25A @300V and 5A @ 600V
- Measures 2" L x 1 3/8" W x 7/8" H
- Built in test ports for troubleshooting
- Available in black or white



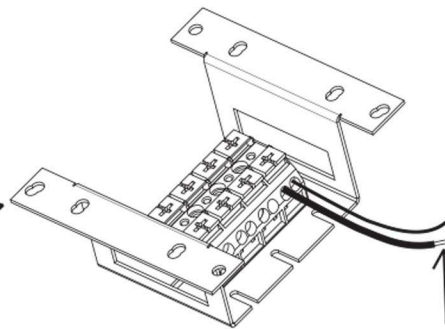


Wires sizes 20-12 AWG  
Stranded or Solid core wire  
4 poles / 16 connection points  
300V @ 20A 600V @ 5A



1 Terminal Pole  
4 Connection Points

BB4 4" Sq. Box Bracket  
(SSU00465)



Versatile and strong enough to hold 20 AWG Stranded wire under 1 point and 12 AWG Solid under the second point.

Warning:  
Do not use Aluminum Conductors with the TTS  
Terminals per UL 864 Rev. 9 Sect. 12.4.

## ORDERING INFORMATION

**P/N# SSU00470**

TTS Tool-Less Terminal Strip - Black

**P/N# SSU00471**

TTS Tool-Less Terminal Strip - White

**P/N# SSU00472**

TTS Test Probe