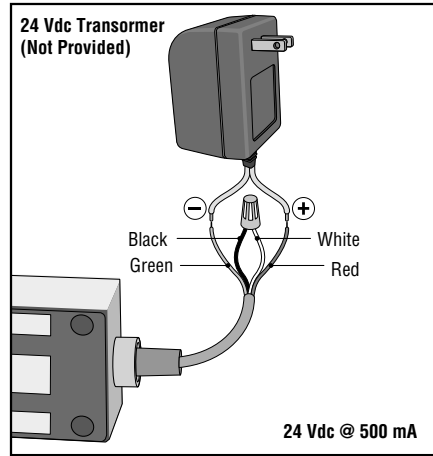
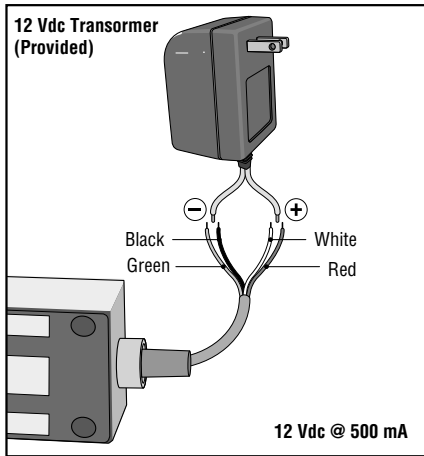
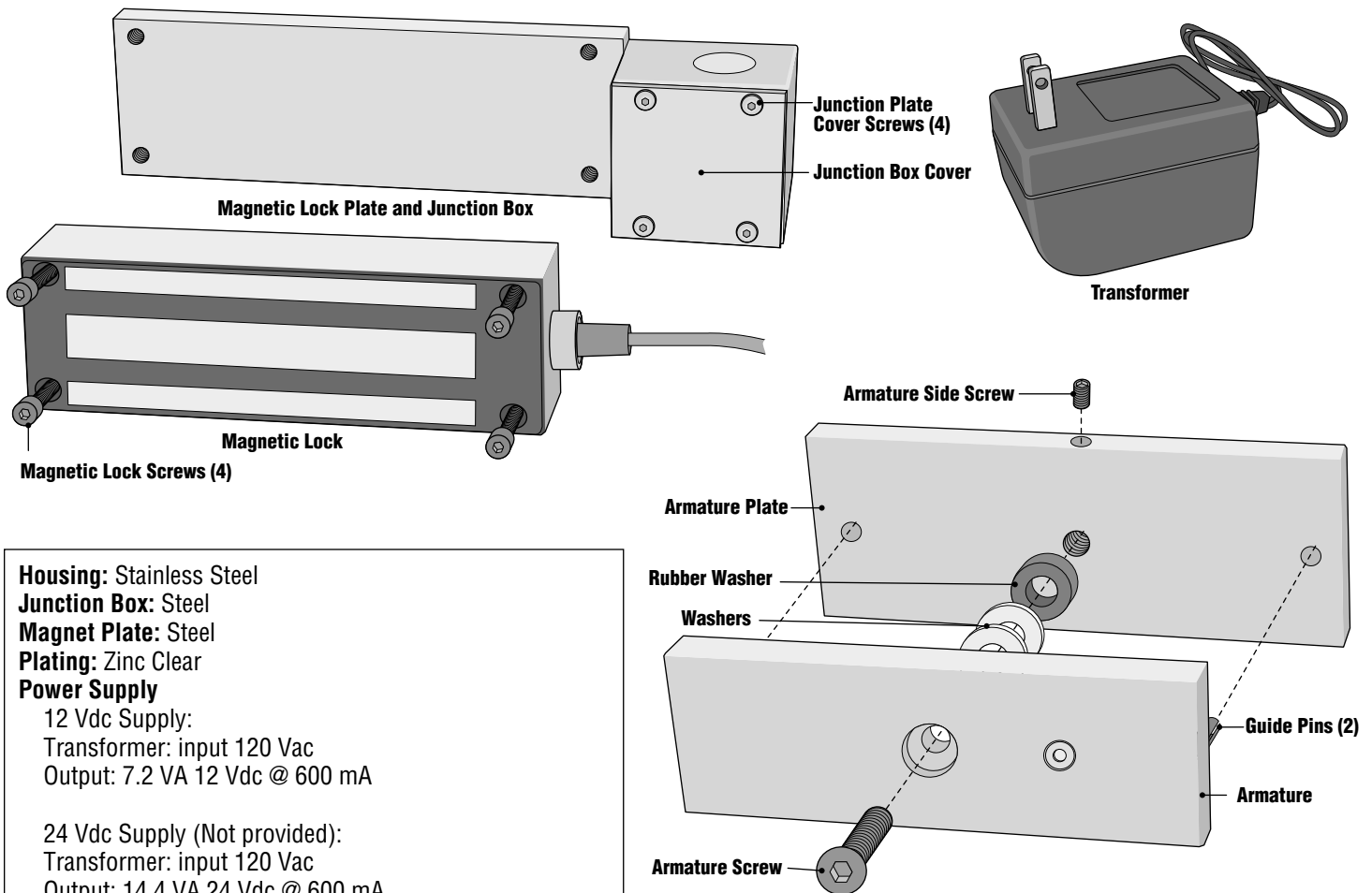


WIRING INSTRUCTIONS

Wiring 12 Vdc or 24 Vdc Transformer



HARDWARE LIST AND SPECIFICATIONS



Housing: Stainless Steel

Junction Box: Steel

Magnet Plate: Steel

Plating: Zinc Clear

Power Supply

12 Vdc Supply:

Transformer: input 120 Vac

Output: 7.2 VA 12 Vdc @ 600 mA

24 Vdc Supply (Not provided):

Transformer: input 120 Vac

Output: 14.4 VA 24 Vdc @ 600 mA

Current draw

250 mA @ 24 V, 500 mA @ 12 V 600 mA

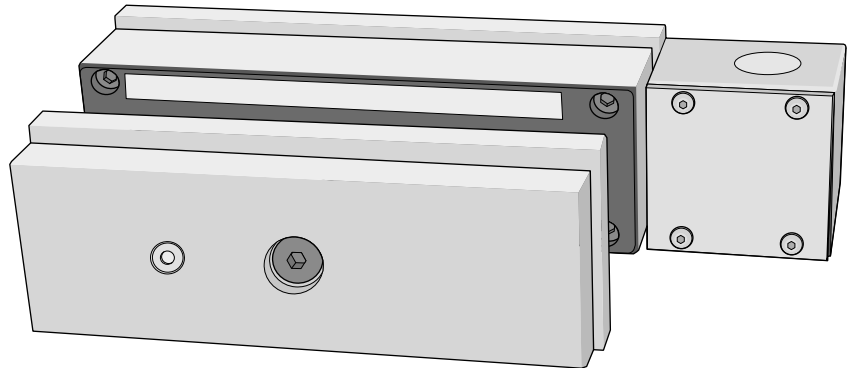
- If power supply is 12 Vdc and wire is 50 ft. use 18 AWG, if wire is 150 ft. use 14 AWG
- If power supply is 24 Vdc and wire is 50 ft use 22 AWG, if wire is 150 ft. use 18 AWG



WARNING: This product can expose you to chemicals including lead, which are known to the State of California to cause cancer or birth defects or other reproductive harm. For more information go to www.P65Warnings.ca.gov

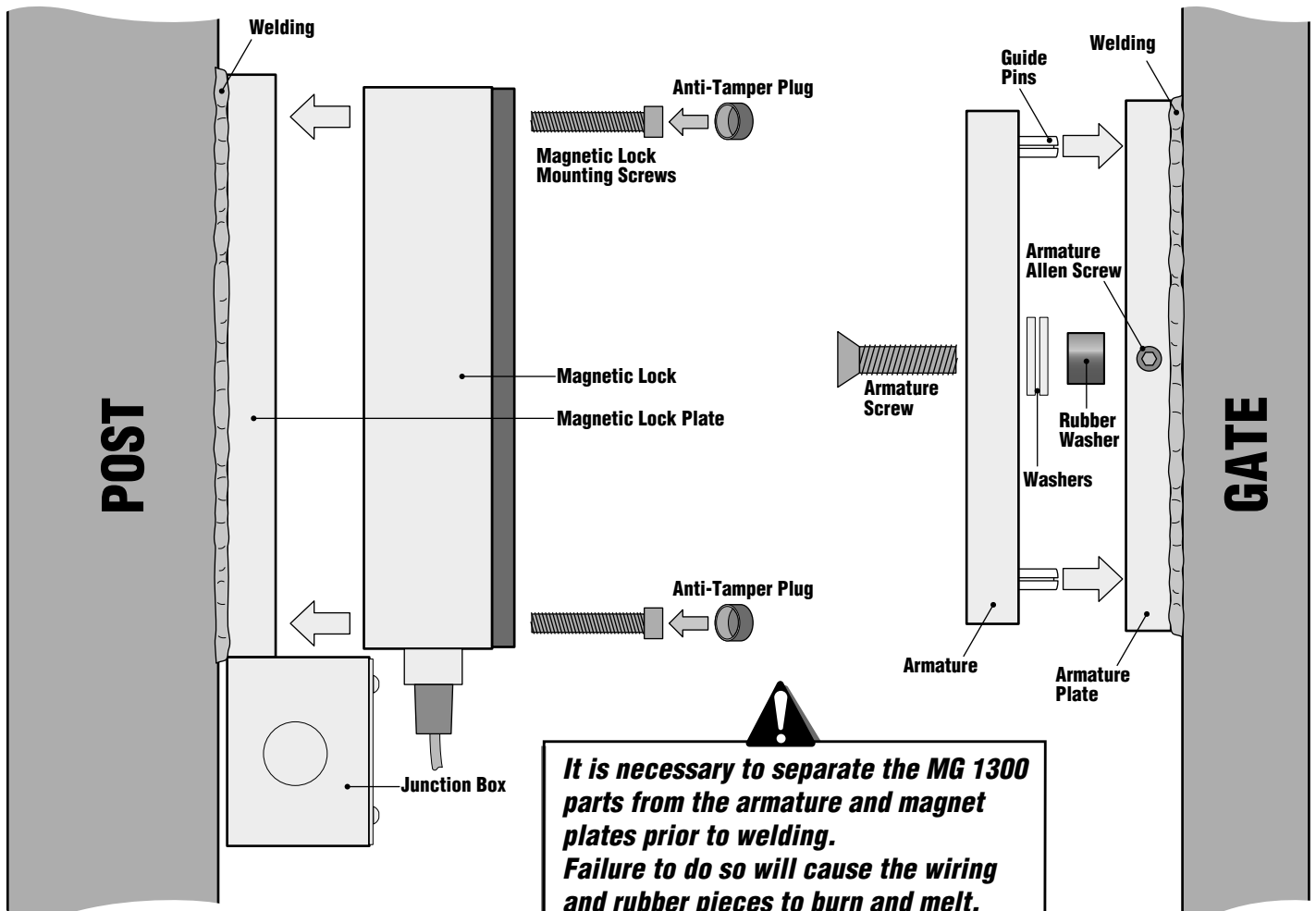
MOUNTING THE MG 1300 MAGNETIC LOCK

HANDLING: The magnetic lock, junction box and magnet plate are ruggedly constructed and designed to provide years of trouble-free service. Care must be taken, however, during installation and during actual use so that the magnet face and magnet plate face are free of dirt, rust, burrs, paint, or any other obstruction which may interfere with the magnet and magnet plate making good contact.



MOUNTING INSTALLATION

- ① Position the magnetic lock with armature plate at desired location and tack weld the magnetic lock plate to the gate post.
Do not fully weld or you will burn the wire or lock.
- ② Tack weld armature plate to gate. Again, **Do not fully weld or you will burn the rubber pieces.**
- ③ Remove the armature plate with rubber washer and magnetic lock from the junction box and **fully weld the plates.**
- ④ After it cools-off, reassemble magnetic lock and armature with the rubber washer.



For Technical Support: 1-800-528-2806

www.liftmaster.com