

myQ® Business™

Connected Access Portal - High Capacity

INSTALLATION MANUAL

Models CAPXL / CAPXLV



LiftMaster®

Safety

Safety Symbol and Signal Word Review

When you see these Safety Symbols and Signal Words on the following pages, they will alert you to the possibility of serious injury or death if you do not comply with the warnings that accompany them. The hazard may come from something mechanical or from electric shock. Read the warnings carefully.

When you see this Signal Word on the following pages, it will alert you to the possibility of damage to your property or product if you do not comply with the cautionary statements that accompany it. Read them carefully.

 **WARNING**

MECHANICAL

 **WARNING**

ELECTRICAL

 **CAUTION**

  **WARNING**

- To reduce the risk of SEVERE INJURY or DEATH:
- Disconnect power at the fuse box BEFORE proceeding.
 - To AVOID damaging gas, power or other underground utility lines, contact underground utility locating companies BEFORE digging.
 - ALL electrical connections MUST be made by a qualified individual.
 - ALL power and control wiring MUST be run in separate conduit.

- To protect against fire and electrocution:
- Disconnect power BEFORE installing or servicing CAPXL / CAPXLV.
 - NEVER connect a keypad/reader or lock to doors without first consulting the applicable fire code.
 - You MUST consult with, and get approval from, local fire officials BEFORE installing locks or devices on ANY doors that may be fire exits.
 - Use of egress push buttons may not be legal. Single action exits may be required.
 - ALWAYS obtain proper permits and approvals in writing BEFORE installing equipment.

 **WARNING:** This product can expose you to chemicals including lead, which are known to the State of California to cause cancer or birth defects or other reproductive harm. For more information go to www.P65Warnings.ca.gov.

INTRODUCTION



- CAPXL / CAPXLV Overview 4
- Power/Internet Board Overview..... 5
- Door Board Overview 6
- Carton Inventory 7
- Tools Needed 7
- Dimensions 8
- System Specifications 8
- Wire Specifications 9
- Internet Requirements..... 10

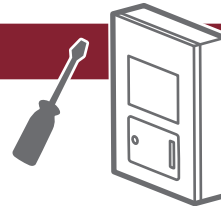
1 PRE-INSTALL

- Internet Service 11
- Phone Provider 11
- Setup a myQ® Business™ Account 11



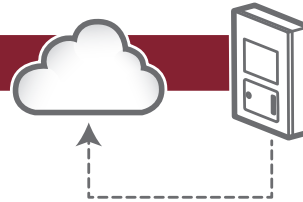
2 INSTALL

- Remove Knockouts 12
- Mount the CAPXL / CAPXLV..... 13
- Install Antennas..... 14
- Install the Ground..... 15
- Connect Power..... 16



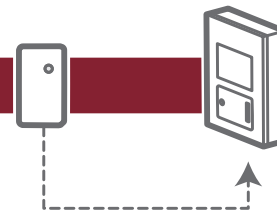
3 NETWORK

- Connect Internet..... 17
- Validate Setup 17



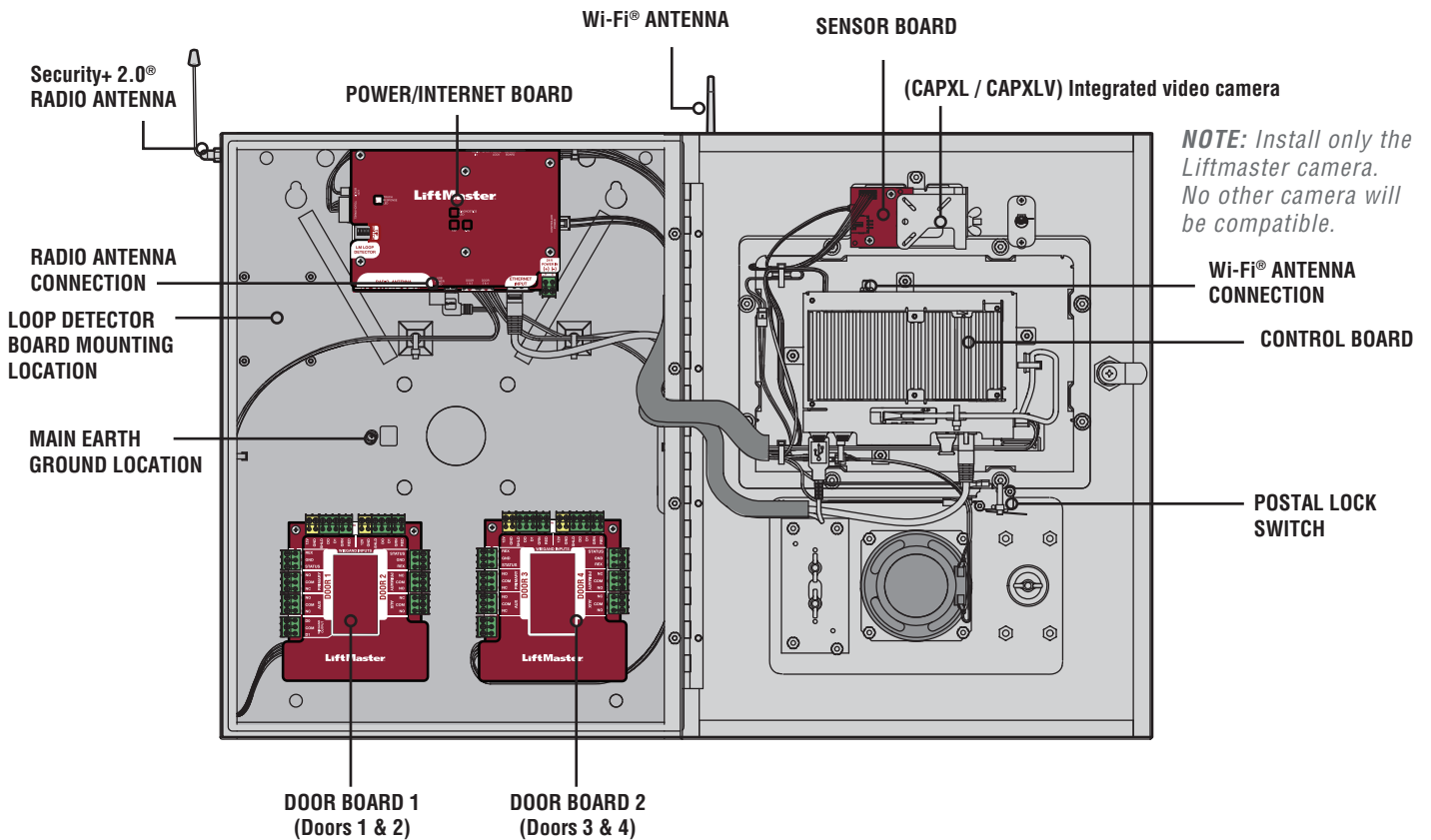
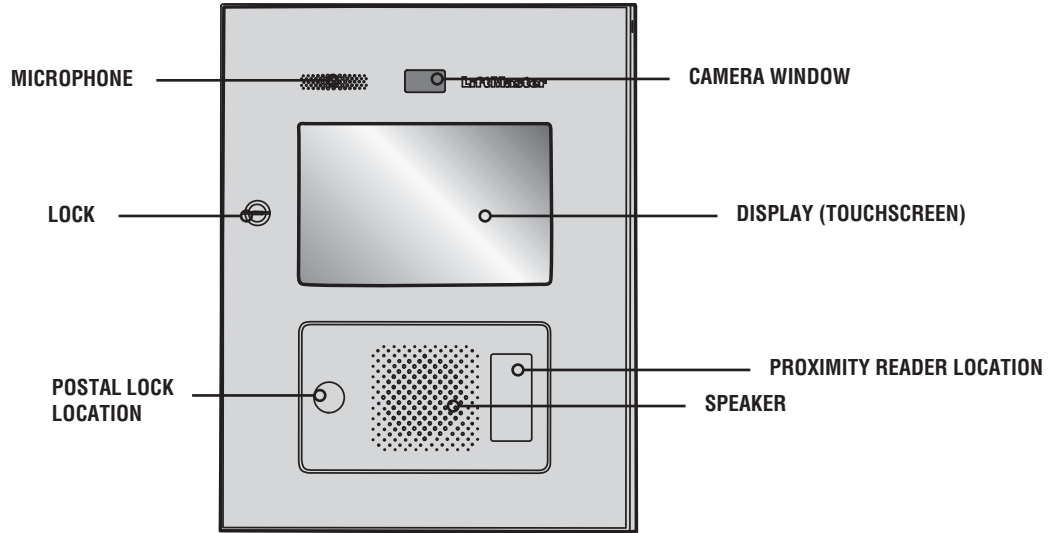
4 ACCESS CONTROL

- Gate Access (Wired)..... 18
- Gate Access (Wireless) 19
- Door Access 20
- Card Reader 21
- Wiegand Output 22
- Postal Lock 23
- Video Camera Feature 24
- Auto-Call Feature..... 25
- Wiring Diagram 26
- Repair Parts 27
- Accessories..... 27
- Configuration Sheet..... 28
- Legal Disclaimers 29
- Warranty 30

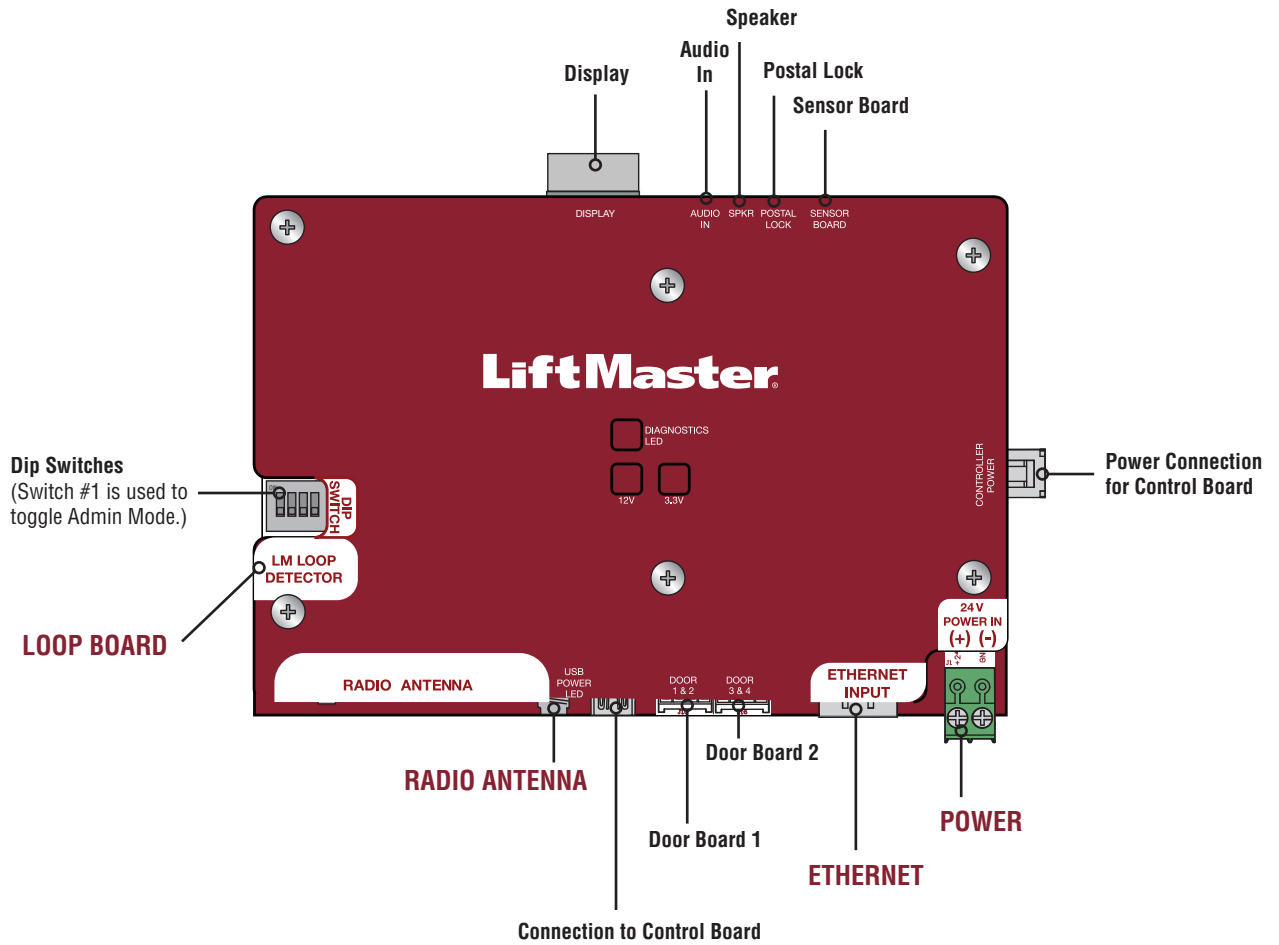


CAPXL / CAPXLV Overview

CAPXL/CAPXLV are cloud based access control solutions for residential communities. **CAPXLV** includes an integrated video camera enabling advanced video features.

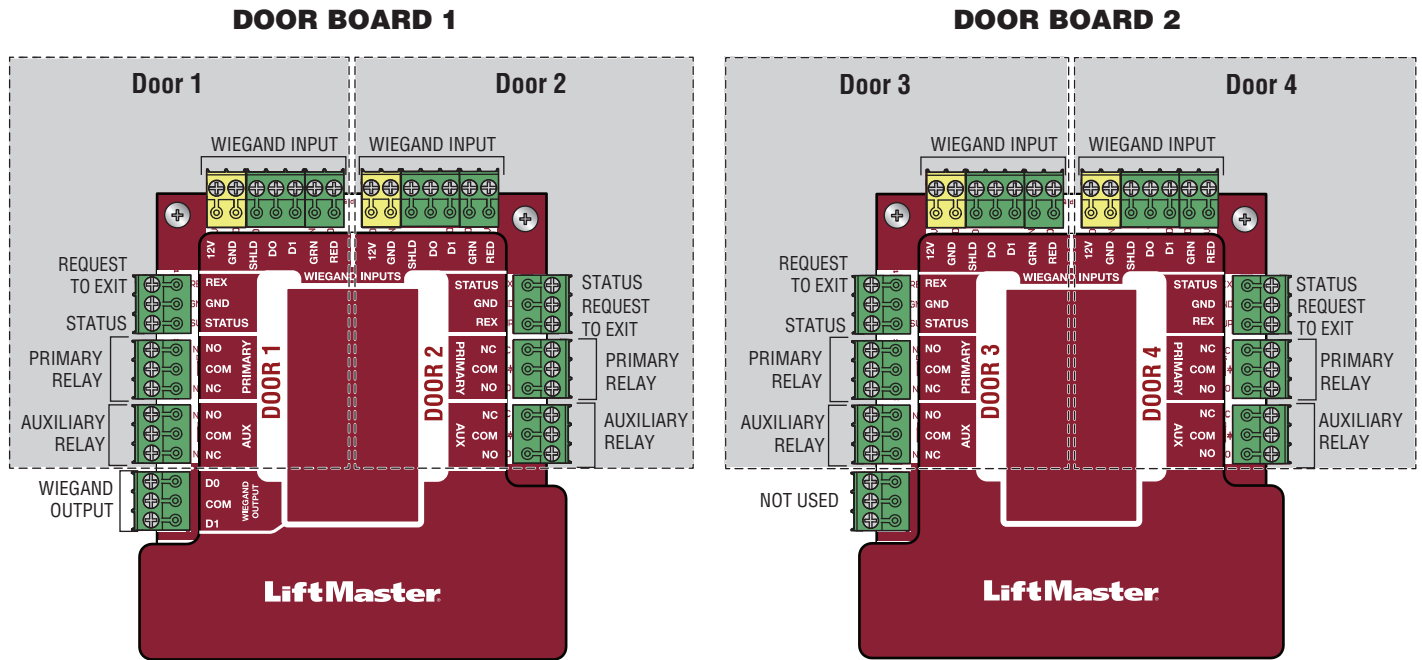


Power/Internet Board Overview



Door Board Overview

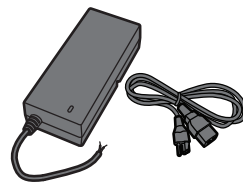
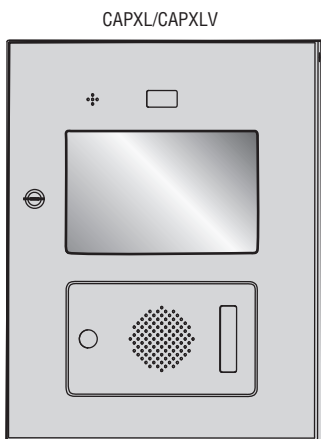
The CAPXL / CAPXLV has a combination of access control inputs/outputs on the Door Boards that work in conjunction to control up to 4 access points.



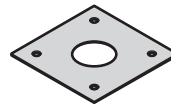
INPUT/OUTPUT	USED FOR
Wiegand Input	Proximity Readers, ASCII keypads, RFID readers transmitting 26-bit *30-bit, *32-bit Mifare, *and *37 bit with or without facility code. (12 Vdc Power for readers only. Do not use to power external devices)
Request to Exit	External Free Exit Loop Detectors, Push Buttons, and Proximity Sensors
Status	Door Sensors, Supervised Gate Operators, and EOL (End of Line) Wiring
Primary Relay	Closed Door Sensor, Closed Gate Sensor, Supervised with EOL (End of Line) or unsupervised Gate Operators, Door Strikes, and Maglocks
Auxiliary Relay	Gate Operator, Door Strikes, Alarm Shunt, Maglocks and Lights (for control only - power to be provided by external supply)
Wiegand Output	26 Bit Access Granted Activity for integration with third party systems

***NOTE:** Only the 26-bit weigand protocol is compatible in UL installations.

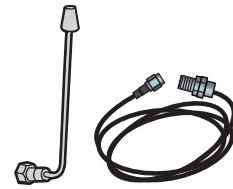
Carton Inventory



Power Supply



Goose-neck Gasket



Radio Antenna (Security+ 2.0®) and Cable

S10K30MOV
(Metal Oxide Varistor)(4)

Keys (2)



Ferrite Core



1N4005 Diode Kit (4)



Wi-Fi® Antenna and Cable

PROVIDED (NOT SHOWN)

- Installation Manual
- Quickstart Guide

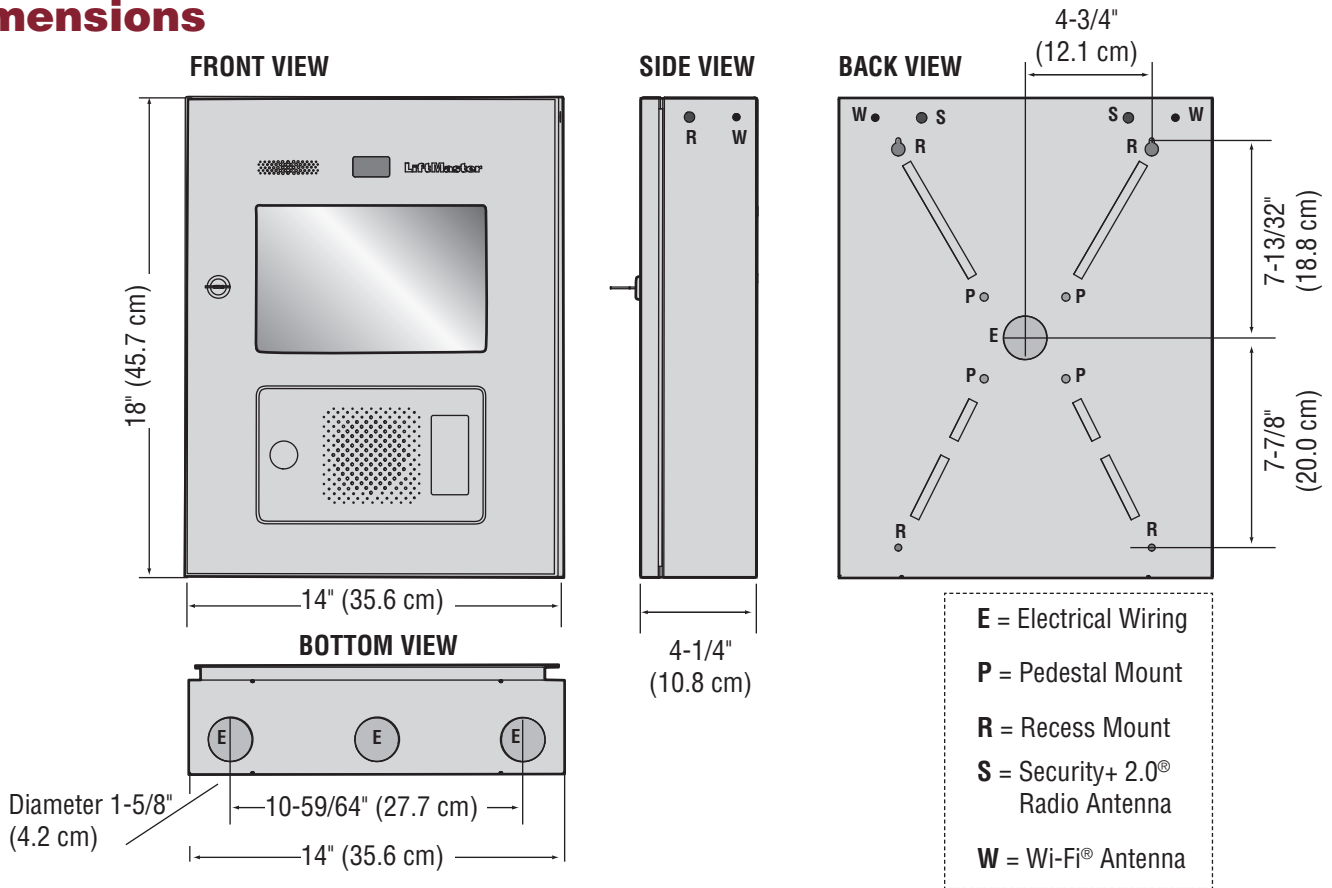
Tools Needed

- PH2 Phillips Screwdriver
- Precision 1/8" Flat or PH0 Phillips Screwdriver
- 1/4" Nut Driver
- Drill/Driver
- 7/64" Drill Bit
- Hammer Drill Bits for Drill/Driver
- RJ45 Crimping Pliers
- Multimeter
- Measuring tape
- Conduit Bender
- Conduit Cutter/Reamer
- Hack Saw
- Center Punch Tool
- Hammer

Additional Tools Recommended

- Network LAN Cable Tester
- Wi-fi Analyzer App (smart phone app)
- Network Analyzer software

Dimensions



Specifications

CAPXL / CAPXLV Capacity	Resident Capacity 50,000 / Local Event History 50,000
Supply Voltage	24VDC, 60W (minimum), Class 2 Output, Level VI Efficiency, (Power Supply 100-240VAC, 2A, 50/60Hz)
Operating Current	1.25 Amps - Without Accessories
Surge Suppression	EFT: 2 kV Power Line, ESD: 15 kV HBM / 8 kV Direct / 200V MM
CAPXL / CAPXLV Operating Temperature Range	- 29°C to 54°C (-20°F to 130°F)
Enclosure	Stainless Steel
Storage and Shipping Temperature Range	-40°C To 65°C (-40°F to 149°F)
Wiegand Inputs (4)	26-bit, *30-bit, *32-bit Mifare, *37-bit with and without facility code, and ASCII (for keypads). 12VDC, 250mA power output (per input).
4 Primary and 4 Auxiliary Relay Outputs	SPDT, Rated Load 3A at 30VDC (each)
Accessory Compatibility	Refer to the accessory page for compatible accessories
Network Compatibility	10/100/1,000 Ethernet
Wi-Fi® Compatibility	802.11 a/b/g/n and 802.11 ac 2.4 GHz
Wi-Fi® Security	CAPXL / CAPXLV is compatible with routers using the following security protocols: WPA2-PSK, (AES) (Recommended), WPA2-PSK (TKIP) (Recommended), WPA2 Personal (Recommended), WPA-PSK (AES), and WPA-PSK (TKIP). CAPXL / CAPXLV is NOT compatible with routers using the following security protocols; WPA2 Enterprise, WEP, Open (No password or encryption)
Wi-Fi® Range	Up to 500 feet (152.4 m), Open Air/Line-of-Sight (range will vary depending on obstructions)
Built-in LiftMaster Passport Receiver	Security+ 2.0®
Wireless Communication to Gate Operator	Up to 750 feet (228.6 m), Open Air/Line-of-Sight (range will vary depending on obstructions), Compatible with LiftMaster Security+ 2.0® gate operators
CAPXLV Video Camera	1080p, Viewing angle - 135 degree diagonal

*NOTE: Only the 26-bit weigand protocol is compatible in UL installations. Wi-Fi® and wireless ranges were not evaluated by UL.

Wire Specifications

Use this chart to pull wires in preparation of your installation. Check the national and local building codes **BEFORE** installation.

DESCRIPTION OF WIRE RUN	WIRE SPECIFICATION	MAXIMUM RUN DISTANCE
Power Wire, secondary DC output	2-Conductor 14 AWG	Up to 300 feet (91.4 m)
	2-Conductor 16 AWG	Up to 200 feet (60.9 m)
	2-Conductor 18 AWG	Up to 100 feet (30.4 m)
Local Area Network (LAN) CAT 5 or better Network Cable. CAT 5e and higher is preferred for video.	8-Conductor, 24 AWG Twisted pair	328 feet* (100 m)
Grounding the Chassis (use grounding lug in CAPXL / CAPXLV)	12 AWG Copper	12 feet (3.7 m)
Door Strike	2-Conductor 18-22 AWG Shielded	100 - 250 feet (30.5 - 76.2 m)
Magnetic Lock	2-Conductor 18-22 AWG	50 - 125 feet (15.2 - 38.1 m)
Dry Contact Closure (Most Gate Operators)	2-Conductor 18-24 AWG Shielded	500 - 2500 feet (152.4 - 762 m)
Exit Request (REX)	2-Conductor 18-24 AWG	500 feet (152.4 m)
Supervised Input	2-Conductor 18-24 AWG	500 feet (152.4 m)
Wiegand/Proximity Readers	7-Conductor 18-22 AWG Shielded	500 feet (152.4 m)
Postal Lock Box	2-Conductor 18-24 AWG	250 - 1000 feet (76.2 - 304.8 m)

NOTE: Main power supply and control wiring **MUST** be run in separate conduits. Conduits must be UL approved for low and high voltage. Refer to the NEC for additional wiring requirements.

Category 5 cabling is the minimum performance category recommended.

Wiring shall be in accordance with the National Electrical Code (ANSI/NFPA 70), local codes and authorities having jurisdiction.

Always provide power from a dedicated source. Plug provided transformer into an outlet wired to its own 10 Amp minimum circuit breaker. This will prevent two problems:

- Other equipment cannot introduce spikes, noise, surges or dips into the power circuit that will affect the system.
- The system's operation will not be affected if any other equipment develops a short circuit across the power line.

*** CAT 5/6 NETWORK CABLE NOTES:**

- For outdoor distances exceeding 140 feet (42.7 m), a UL497 compliant primary surge protector **MUST** be installed at the CAPXL / CAPXLV.
- Distances exceeding 328 feet (100 m) may be accommodated with additional hardware (available through third-party sources).

Internet Requirements

When selecting a router, use the information below to ensure compatibility.

MODEL: CAPXL / CAPXLV – Connected Access Portal, High Capacity

CAPXL/CAPXLV can be connected to a router via a wired connection or Wi-Fi. LiftMaster recommends an Internet speed of 25Mbps (Mbits per second) download, 10Mbps upload for best video performance (minimum 10Mbps download speed, 5Mbps upload speed for each CAPXL supporting video camera feeds).

NOTE: These upload/download speeds should be met when considering usage of other devices on the network like cameras and computers.

CAPXL / CAPXLV IS COMPATIBLE WITH ROUTERS USING THE FOLLOWING Wi-Fi COMMUNICATION PROTOCOLS:

- 802.11a
- 802.11b
- 802.11g
- 802.11n

CAPXL / CAPXLV WI-FI SECURITY COMPATIBILITY

COMPATIBLE

- WPA2-PSK (AES) (Recommended)
- WPA2-PSK (TKIP) (Recommended)
- WPA2 Personal (Recommended)
- WPA-PSK (AES)
- WPA-PSK (TKIP)

NOT COMPATIBLE

- WPA2 Enterprise
- WEP
- Open (No password or encryption)

ADDITIONAL COMPATIBILITY CONSIDERATIONS:

- Don't use Wi-Fi extender devices. These may introduce latency in the connection leading to choppy or loss of reliable video transmission.
- If using a Wi-Fi signal strength tool or app, a continuous Wi-Fi signal strength connection of at least -65 DBM (numbers closer to zero are stronger strength) at the CAPXL / CAPXLV must be guaranteed to ensure an acceptable connection to the local network.
- Hidden network SSID's are not supported. The network must be selectable from the CAPXL / CAPXLV display.
- Wi-Fi networks requiring secondary authentication are not supported (E.g. Hotels and airport Wi-Fi).
- When checking signal strength in CAPXL / CAPXLV admin mode, we recommend at least two bars two bars, as shown on the CAPXL screen.
- If two bars are not available, relocate the router, the antenna or use accessory WFAEXT (Wi-Fi Antenna Extension Kit – 15') to move the CAPXL / CAPXLV antenna higher up or to a location resulting in two or more bars.

The following services are required for CAPXL / CAPXLV to fully function

1 Setup a myQ® Business™ Account



NOTE: If you have an existing myQ® account, your myQ® Business™ account will have the same password. Go to: myQBusiness.com and login.

1. If you do not have a myQ® Business™ account, call LiftMaster Customer Care at 800.323.2276 to activate a myQ® Business™ account.
2. You will get a welcome email from LiftMaster. Accept the invitation and register or login to your account.
3. Setup the facility, select a subscription plan, add residents, and credentials (refer to the available Help in myQ® Business™).
4. Continue with the installation of the CAPXL / CAPXLV in this manual.

2 Internet Service

CAPXL / CAPXLV MUST be configured with the proper network settings to operate.

NETWORK

Internet service provider: _____

WIRELESS

Wi-Fi® Network Name: _____

Wi-Fi® Password: _____

WIRED

Automatic IP addressing: DHCP (preferred setting)

OR

Static IP Addressing: (**NOTE:** Write down the following for future reference: IP, Netmask, Gateway, Primary, Secondary, Server Port)

3 Phone Service

A subscription with Phone.com, a SIP provider, is required to make video calls. Sign up through myQ® Business™ after a CAPXL / CAPXLV is added to a Facility. For all other type of phone calls, LiftMaster does not guarantee and support calling performance if using an alternate SIP provider. If another SIP provider is being used, the following information will be required:

- SIP Username _____
- SIP Password _____
- SIP Domain _____
- Server Port _____
- Outbound Proxy (Opt.) _____
- SIP Authorization ID (Opt.) _____
- Stun Server (Opt.) _____

Does customer already have a phone.com account?

If yes, Phone.com account email address. _____

If yes, phone.com account password. _____

If customer does not have a phone.com account.

Use the portal on the CAPXL / CAPXLV screen to register a new account.

CP# for CAPXL / CAPXLV (TE2-XX-XXXX): _____

(Located on the CP label on top of the Control Board bracket and on the display when powered up)

1 Remove Knockouts

1. Turn the key clockwise to unlock the CAPXL / CAPXLV.
2. Open the door and lay the CAPXL / CAPXLV face down on a table with the door hanging off the edge of the table as shown.
3. Identify which knockouts need to be removed based on your application.
4. Use a center punch tool to remove the knockouts from the outside of the box inward using an appropriately sized punch and hammer. **NOTE:** *Be careful when removing the knockouts to avoid damaging the CAPXL / CAPXLV components.*

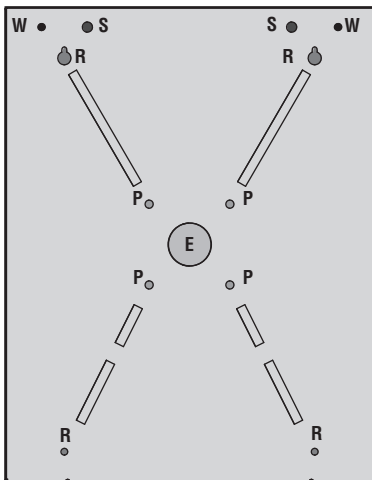
! CAUTION

To prevent damage to the CAPXL / CAPXLV from moisture or water:

- DO NOT install during rain. Internal components MUST be kept free from of water and moisture.
- BEFORE opening the front cover of the CAPXL / CAPXLV, remove ANY accumulated water from the top of the CAPXL / CAPXLV.

To prevent damage to ANY internal components:

- DO NOT attempt to remove the knockouts with a hammer. Banging on the knockouts may result in shock to the circuit boards, which could cause permanent damage.



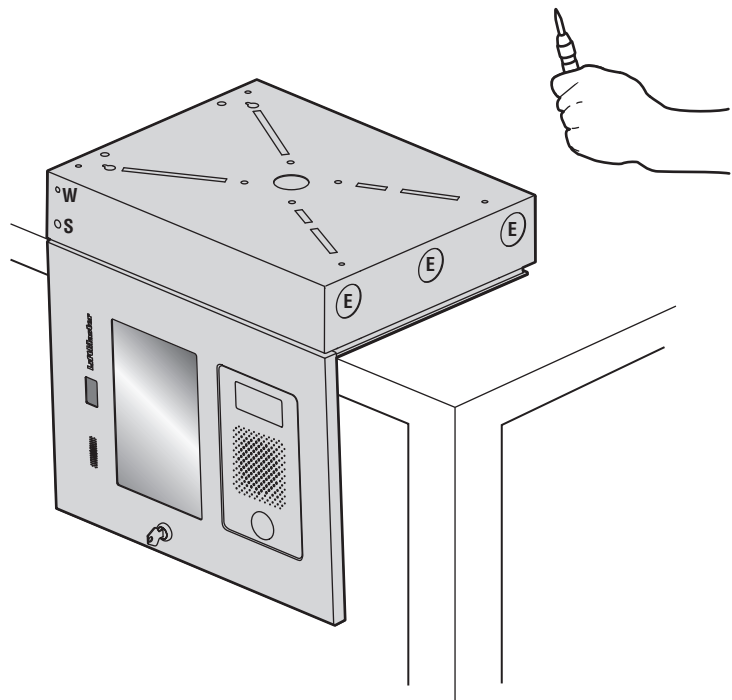
E = Electrical Wiring

P = Pedestal Mount

R = Recess Mount

S = Security+ 2.0®
Radio Antenna

W = Wi-Fi® Antenna



2 Mount CAPXL / CAPXLV

1. Attach the goose-neck gasket (provided) if mounting to a goose-neck.
2. Mount the CAPXL / CAPXLV securely to a flat surface or pedestal with appropriate hardware taking care to route wiring through appropriate knockouts. Stainless steel hardware is recommended to mount the CAPXL / CAPXLV. Use of zinc plated or galvanized hardware is at risk for galvanic corrosion.

NOTES:

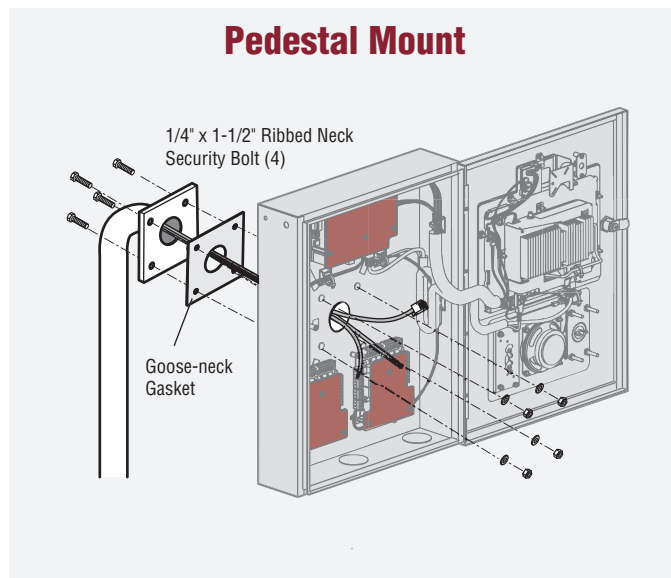
-Ensure the cover can fully open to allow access after the installation is complete.

-ADA Compliance: When mounting the CAPXL / CAPXLV at a pedestrian entrance, to meet ADA compliance, mount the top of the CAPXL / CAPXLV screen no higher than 54 inches from the ground.

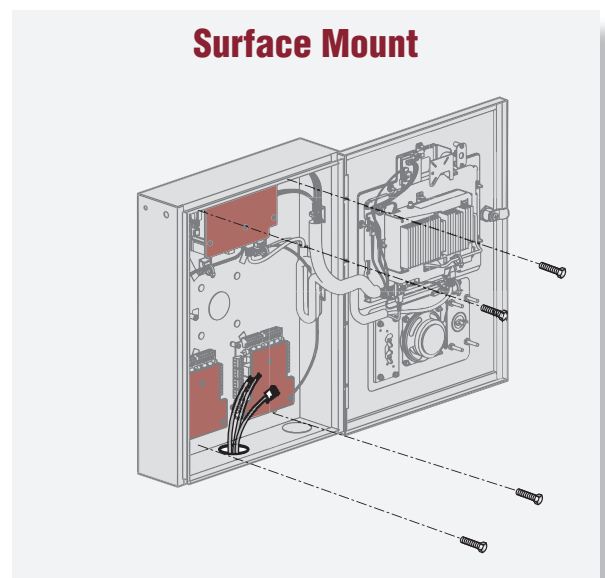
DO

Make sure the CAPXL / CAPXLV is properly sealed to prevent damage to the CAPXL / CAPXLV from moisture.

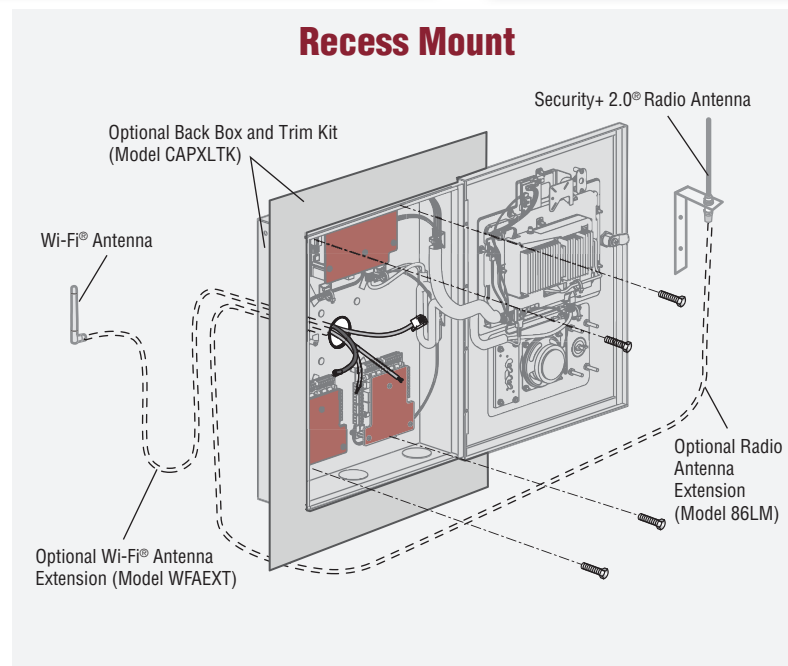
Pedestal Mount



Surface Mount



Recess Mount



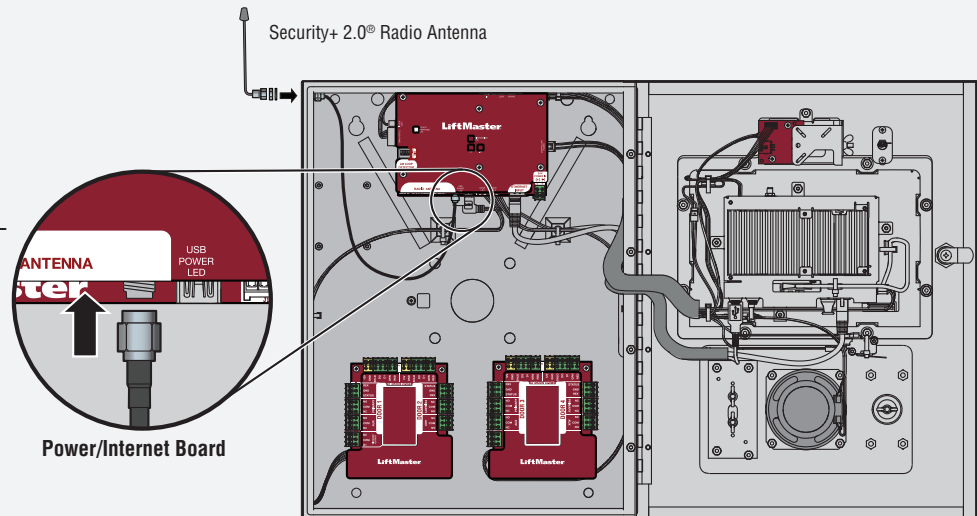
3 Install Antennas

The Security+ 2.0® radio antenna and Wi-Fi® antennas must be a minimum of 8 inches (20 cm) apart. Install the antennas on opposite sides of the CAPXL / CAPXLV. Optional antenna cable kits are available for remote antenna mounting (refer to accessories).

Security+ 2.0® Radio Antenna (if applicable)

Used with LiftMaster Passport Security+ 2.0® and wireless communication with LiftMaster UL325 2016 compliant gate operators.

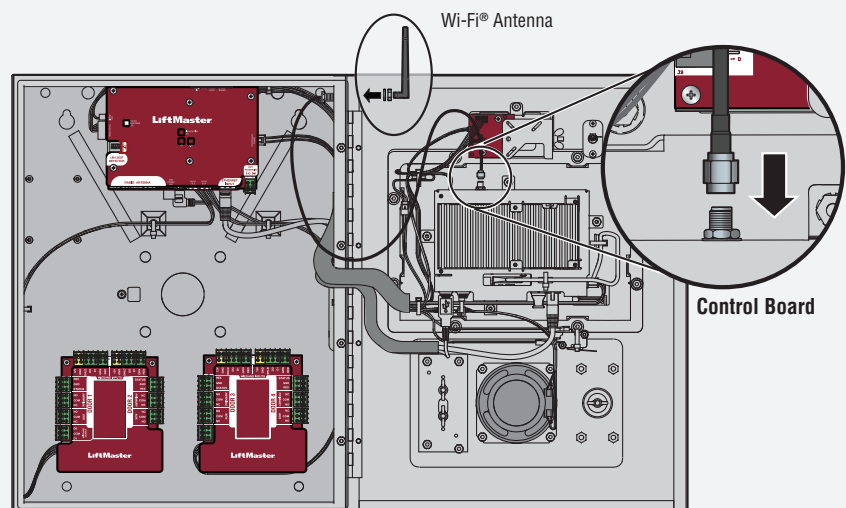
1. Remove 3/8" knockout on the side or back of the CAPXL / CAPXLV.
2. Secure the radio antenna to the desired knockout on the CAPXL / CAPXLV.
3. Connect the radio antenna cable to the Power/Internet Board as shown.



Wi-Fi® Antenna (if applicable)

Used for Wi-Fi® Internet.

1. Remove 1/4" knockout on the side or back of the module.
2. Secure the Wi-Fi® antenna to the desired knockout on the CAPXL / CAPXLV with the provided gasket, washer, and nut.
3. Connect the Wi-Fi® antenna cable to the control board as shown.



4 Install the Ground

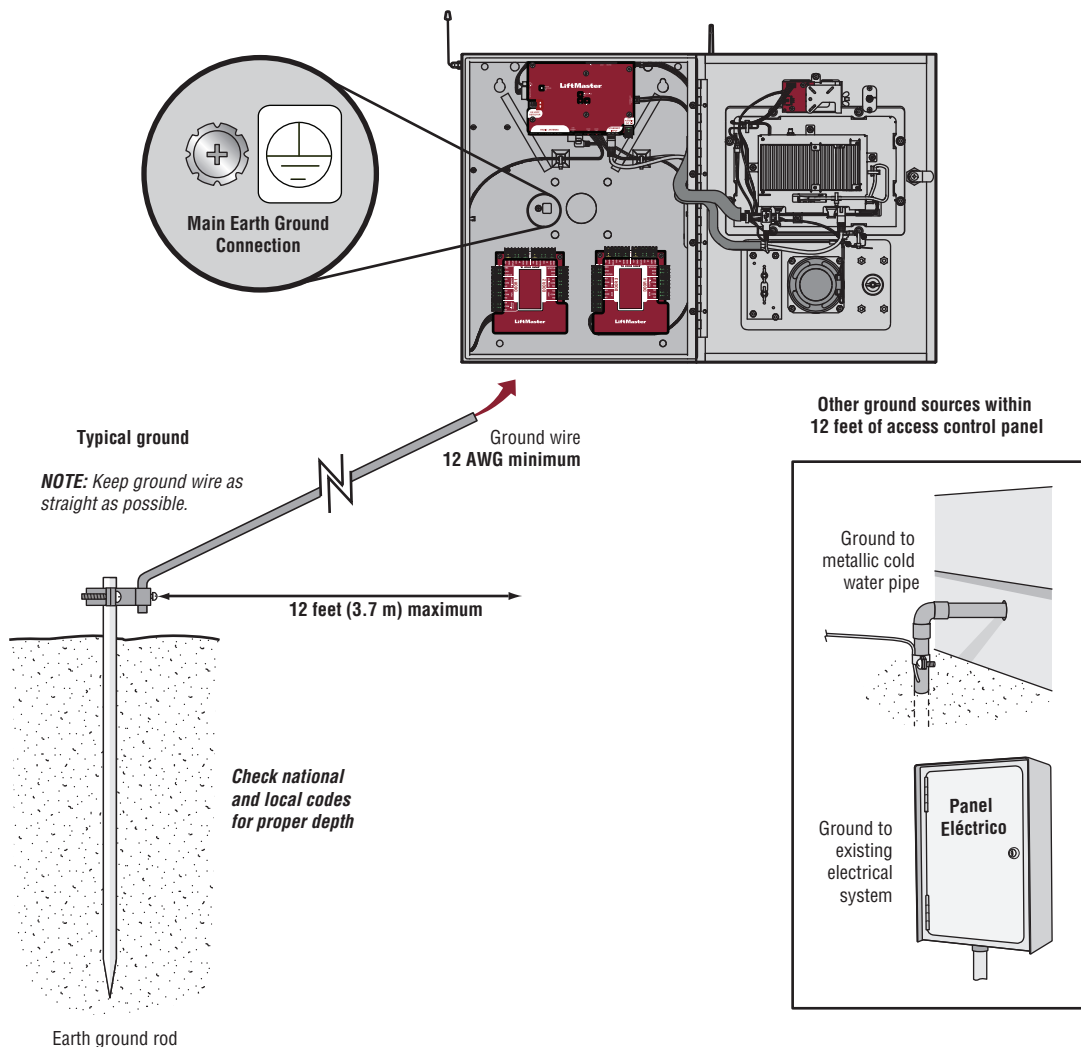
IMPORTANT: An earth ground rod is strongly recommended and should be no further than 12 feet (3.7 m) from the CAPXL / CAPXLV and use a minimum of 12 gauge wire in most cases. The type and length of earth ground rods vary by region. Contact the AHJ (Authority Having Jurisdiction) in the municipality where you plan to install the CAPXL / CAPXLV for correct grounding materials and installation procedures. A proper ground is critical to minimizing risk for the CAPXL / CAPXLV from damaging electrical transients.

1. Connect the ground wire (12 AWG or larger) to the CAPXL / CAPXLV main earth ground connection.
2. Run the wire from the CAPXL / CAPXLV to suitable earth ground.

NOTE: Shield connections on boards should not be connected to main earth ground connection.

CAUTION

To AVOID damaging gas, power or other underground utility lines, contact underground utility locating companies BEFORE digging.



5 Connect Power

The outlet for the CAPXL / CAPXLV MUST be an external dedicated 120 Vac outlet. Refer to the table below for maximum wire run distances. This outlet should be wired back to its own 10 Amp minimum circuit breaker.

WIRE SPECIFICATION	MAXIMUM RUN DISTANCE
14 AWG	Up to 300 feet (91.4 m)
16 AWG	Up to 200 feet (60.9 m)
18 AWG	Up to 100 feet (30.4 m)

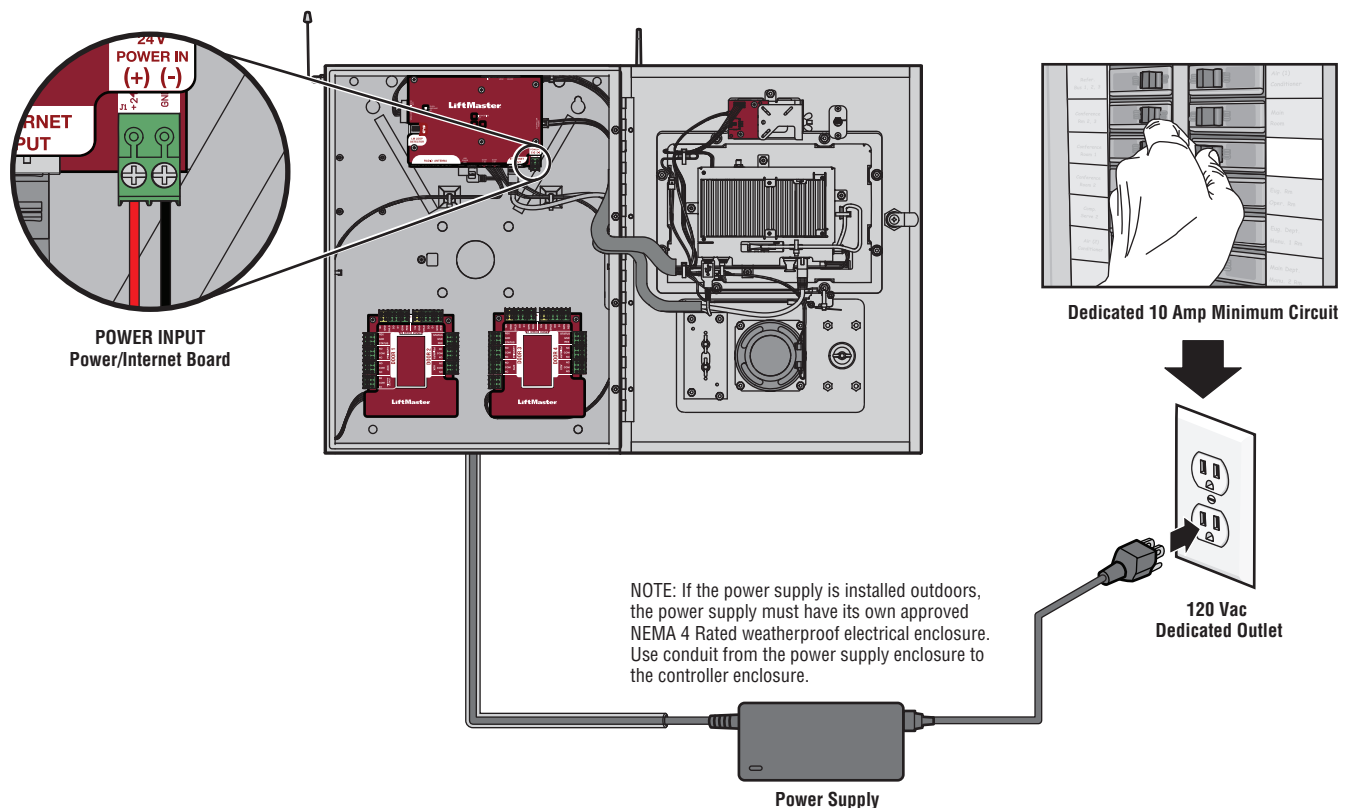
1. Connect 14-18 AWG wire to the stripped secondary DC output wires on the power supply. Black is negative and red is positive.
2. Remove the PWR INPUT terminal block from the Power/Internet Board.
3. Connect the power supply wires to the PWR INPUT terminal block (red to +24V and black to GND). Reattach the terminal block to the Power/Internet Board.
4. Plug the power supply into a 120 Vac outlet after all connections have been made.

NOTE: The green LED on the door board will blink and the green LED on the Power/Internet Board will light solid when powered up. The CAPXL / CAPXLV will display the LiftMaster logo while booting up. When boot up is complete, the user interface will appear.

5. Close the CAPXL / CAPXLV door.

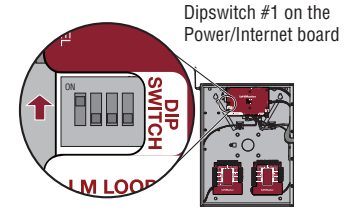
⚠ CAUTION

- DO NOT use ANY power supply other than those supplied with your CAPXL / CAPXLV.
- DO NOT power electronic strikes and latches with the same power supply used to power the access control panel; doing so will cause DAMAGE to the CAPXL / CAPXLV. Use ONLY a UL listed burglar alarm or access control system to power electronic strikes and latches.
- DO NOT connect the power supply to a switched outlet or otherwise controlled AC outlet.
- DO NOT connect the power supply to the 120 Vac outlet until ALL wiring is completed.
- Install the transient noise suppression device (MOV) supplied with the CAPXL / CAPXLV for AC powered devices and Diode for DC powered devices.



1 Connect Internet

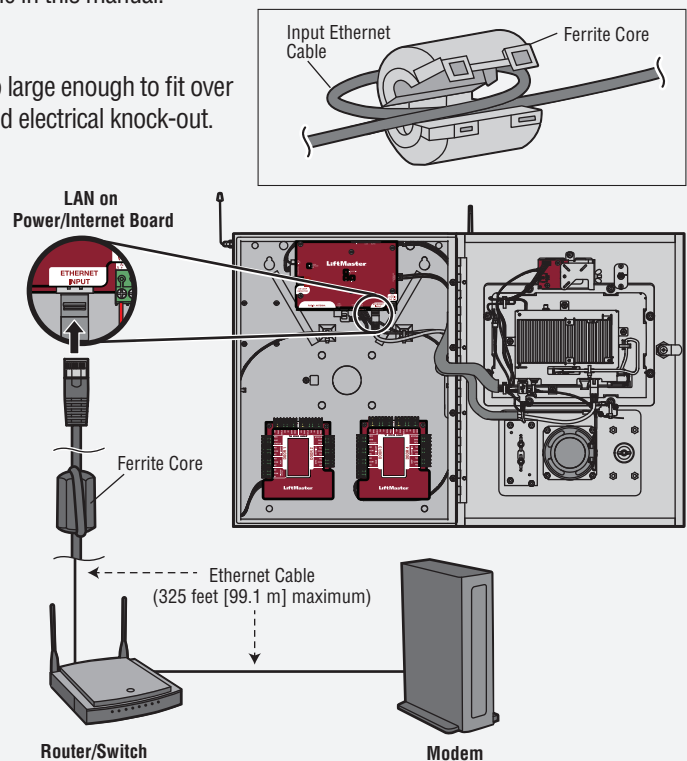
The CAPXL / CAPXLV can connect to the Internet with a wired connection or with Wi-Fi® (wireless). See page 10 for Internet requirements. Make sure you are in the Admin Mode before you connect to the Internet. If you are not in Admin Mode, flip dipswitch #1 to the ON position on the Power/Internet board, press the Network tab on the CAPXL / CAPXLV display, and press the “Change Network Settings” button. Follow the instructions according to your application.



OPTION 1 Wired Connection

The Local Area Network (LAN) port is a 10/100/1000 Ethernet interface with an RJ45 jack for connecting the CAPXL / CAPXLV to a hub, switch, or router in order for it to gain connectivity to the Internet. Use a straight, (i.e., non-crossover) Cat5, Cat5e, or Cat6 cable to connect to a local hub, switch or router. This type of cable is referred to as an Ethernet cable in this manual.

1. Open the Ferrite Core.
2. Loop the Input Ethernet cable around itself one time, creating a loop large enough to fit over the length of the Ferrite Core. Locate the cable loop near the intended electrical knock-out.
3. Place looped section of Input Ethernet cable over one side of the open Ferrite Core.
4. Close the Ferrite Core securely and plug the Input Ethernet cable into the Power/Internet board.
5. Connect an Ethernet cable from the hub, switch, or router to the LAN port on the Power/Internet Board. When connected properly, the green and amber LED on the Ethernet port of the control board will light/flicker (the control board is located on the back of the CAPXL / CAPXLV display). If the green LED is not lit, check the connections on the CAPXL / CAPXLV and the Ethernet hub.
6. On the display, select **Wired Network** if dynamic configuration (DHCP) is desired or select **Manual Setup** for a static IP address.



OPTION 2 Connect through Wi-Fi® (Wireless)

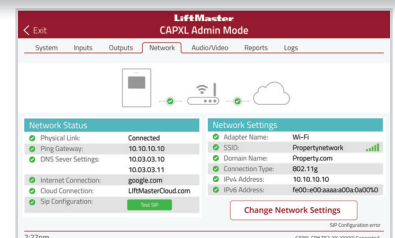
1. On the display select **Wi-Fi® Network**.
2. Select the network the CAPXL / CAPXLV will use.
3. Enter the password for the network.
4. Select **Login**.

Additional compatibility considerations:

- When checking signal strength in CAPXL / CAPXLV admin mode, we recommend at least two bars.
- If two bars are not available, relocate the router, the antenna or use accessory WFAEXT (Wi-Fi® Antenna Extension Kit – 15') to move the CAPXL / CAPXLV antenna higher up or to a location resulting in two or more bars.
- If using a Wi-Fi® signal strength tool or app, a continuous Wi-Fi® signal strength connection of at least -65 DBM (numbers closer to zero are stronger strength) at the CAPXL / CAPXLV must be guaranteed to ensure an acceptable connection to the local network.
- Hidden network SSID's are not supported. The network must be selectable from the CAPXL / CAPXLV display.
- Wi-Fi® networks requiring secondary authentication are not supported (E.g. Hotels and airport Wi-Fi®).

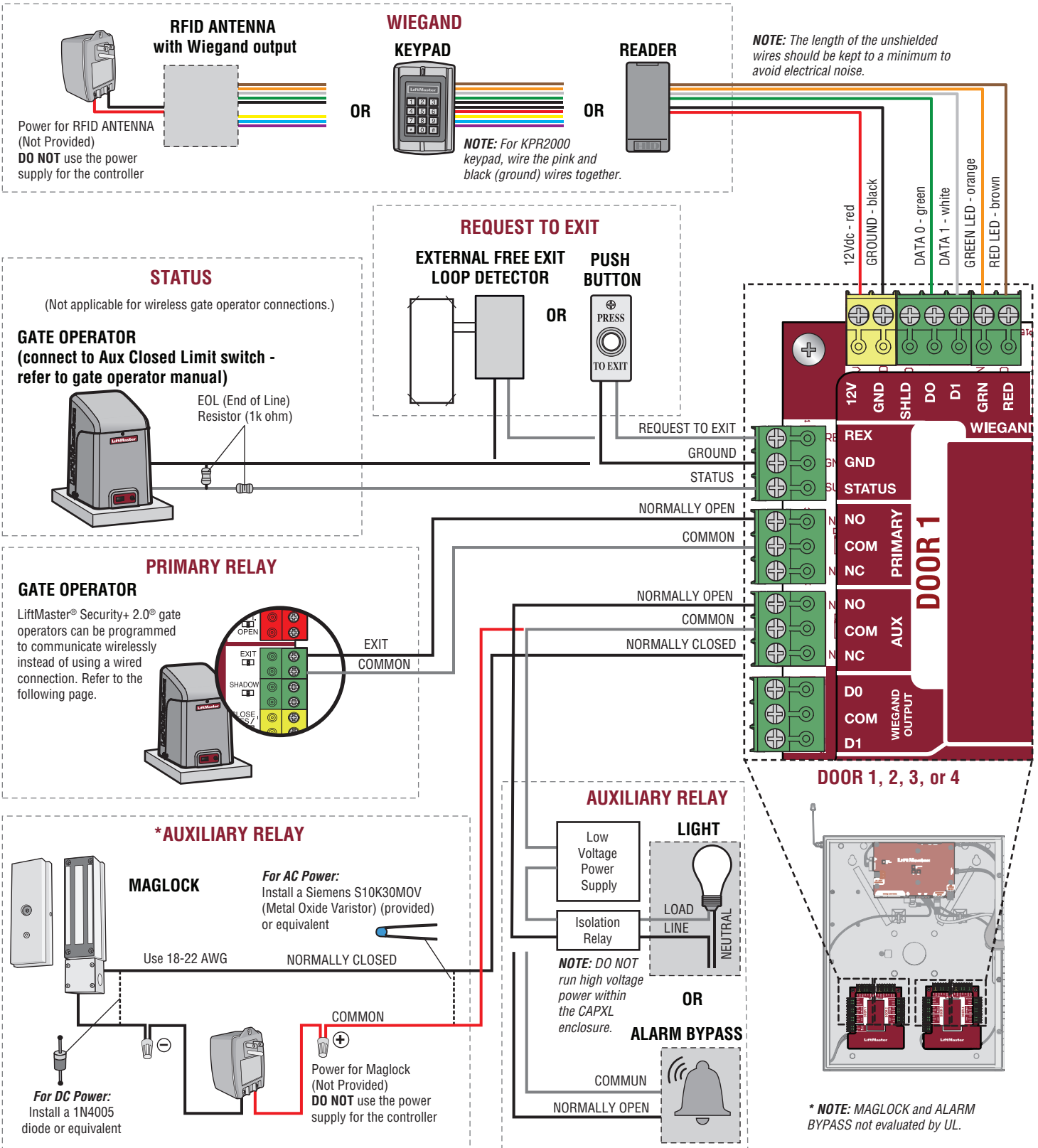
2 Validate Setup

On the display, select each tab in Admin Mode to validate setup (network, inputs, outputs, etc.). Once you have validated the setup, exit Admin Mode.



Gate Access (Wired)

Disconnect power BEFORE making electrical connections. Below is an example of a wiring setup for gate access. Gate access can be wired to Door 1, 2, 3, or 4 on the Door Boards. LiftMaster® Security+ 2.0® gate operators can also be programmed to communicate wirelessly instead of using a wired connection (refer to the following page).

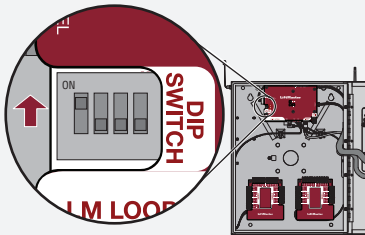


Gate Access (Wireless)

The CAPXL / CAPXLV can communicate wirelessly to LiftMaster® UL325 gate operators to send open commands, monitor gate position, and send email notifications if an error occurs in the operator (email notifications are configured in myQ® Business™). Up to 8 gate operators can be paired with the CAPXL / CAPXLV - one for each primary and auxiliary relay. If using dual gates, program the CAPXL / CAPXLV to the primary operator.

1 Enter Admin Mode

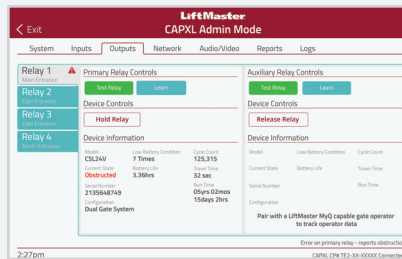
Flip dipswitch #1 to the ON position to enter Admin Mode.



NOTE: For new installations press the login button without entering information in the Admin Username and Admin Password fields.

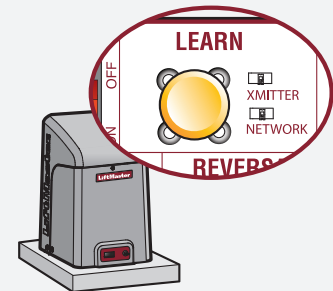
2 Select Outputs and Relay

Select the **Outputs** tab. Then select the desired relay on the left-hand side (1 through 4).



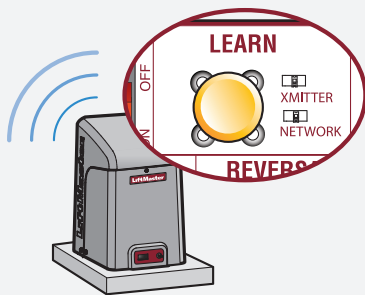
3 Press LEARN button on gate operator

Press and release the LEARN button on the primary operator. The green XMITTER LED will light. **NOTE:** The operator will time out of programming mode after 180 seconds.



4 Press LEARN button on gate operator again

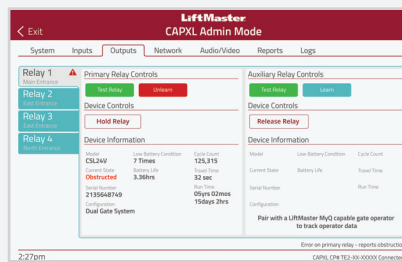
Press and release the LEARN button again on the primary operator. The yellow NETWORK LED will light.



5 Select LEARN on display

Select the LEARN button on the display and the Learn button will go from blue to red. The gate operator and the CAPXL / CAPXLV will beep once and the NETWORK LED on the gate operator will turn off indicating programming is successful.

NOTE: 4 beeps/blinks indicate you are not programming to the primary operator. Attempt programming from the other operator.



6 Validate

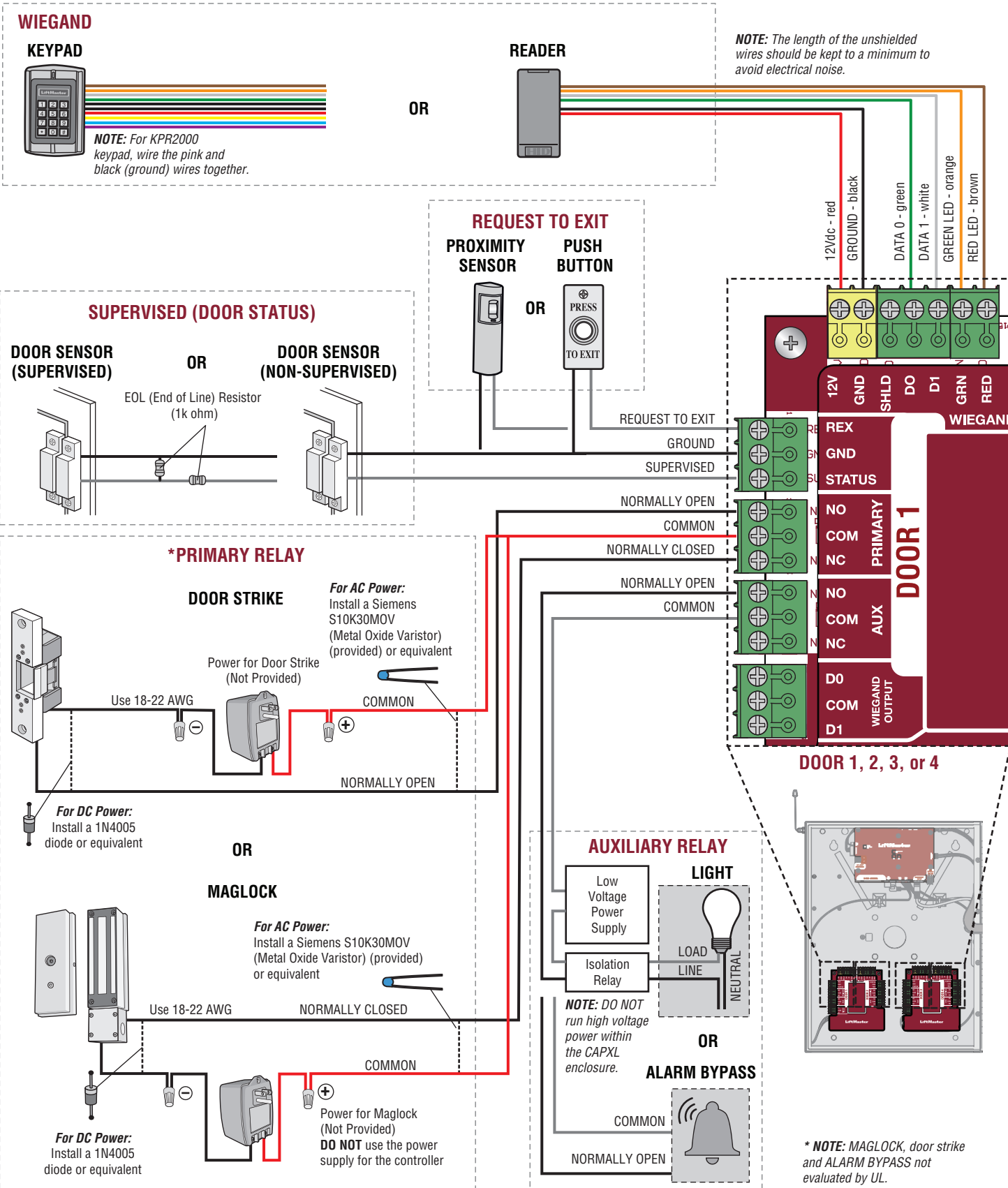
Validate functionality by selecting **Test Relay** on the CAPXL / CAPXLV display.



Visit myQBusiness.com for more information on how to set up doors for wireless linking.

Door Access

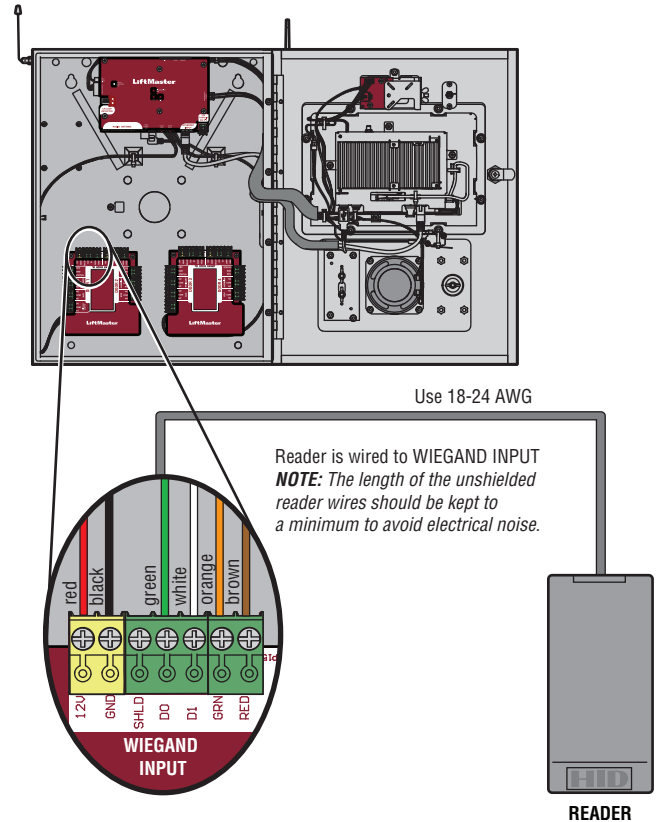
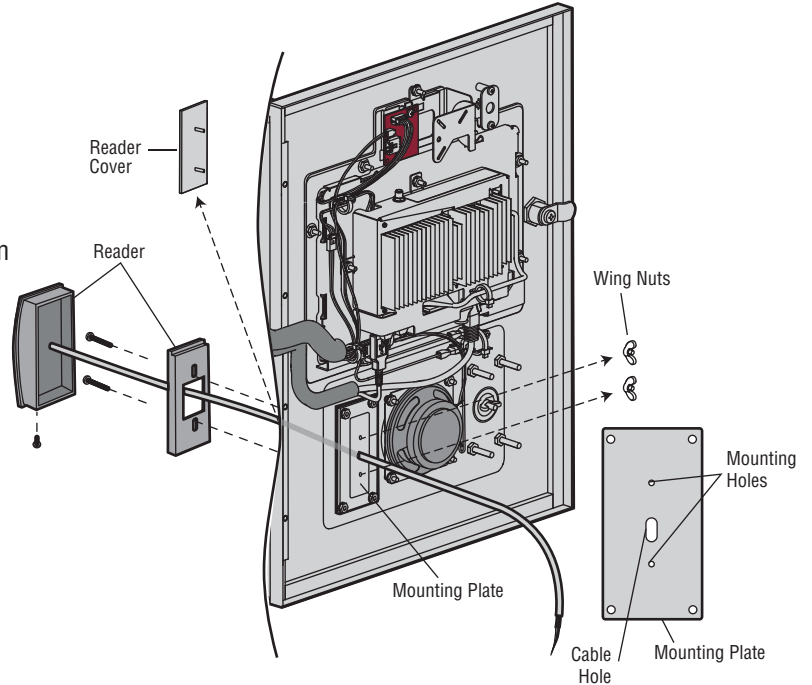
Disconnect power **BEFORE** making electrical connections. Below is an example of a wiring setup for door access. Door access can be wired to Door 1, 2, 3, or 4 on the Door Boards.



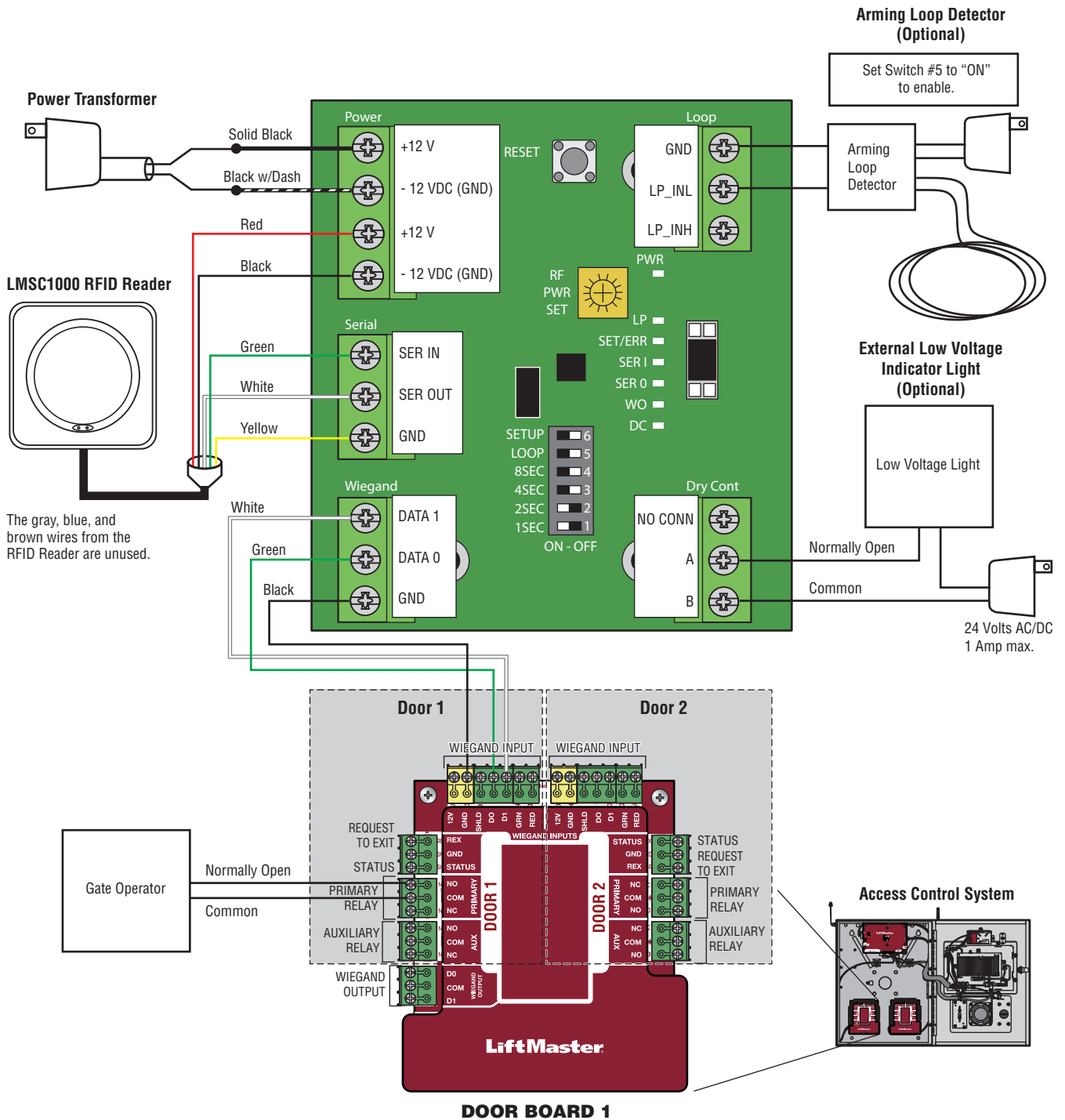
Card Reader

The CAPXL / CAPXLV is designed specifically for the LMMC-MINI reader to be mounted on the faceplate.

1. Disconnect power from the CAPXL / CAPXLV.
2. Remove and discard the wing nuts and reader cover from the CAPXL / CAPXLV.
3. Install the reader and secure with the screws.
4. Apply silicon around the cable hole.
5. The reader can be wired to any of the 4 Wiegand Inputs on the door control boards. Insulate any unused wires from the CAPXL / CAPXLV to prevent a short. (Refer to instructions provided with your reader for more information.)
6. Reconnect power to the CAPXL / CAPXLV.
7. Refer to myQ® Business™ for programming.



LiftMaster LMSC1000 RFID Reader Wiring Diagram



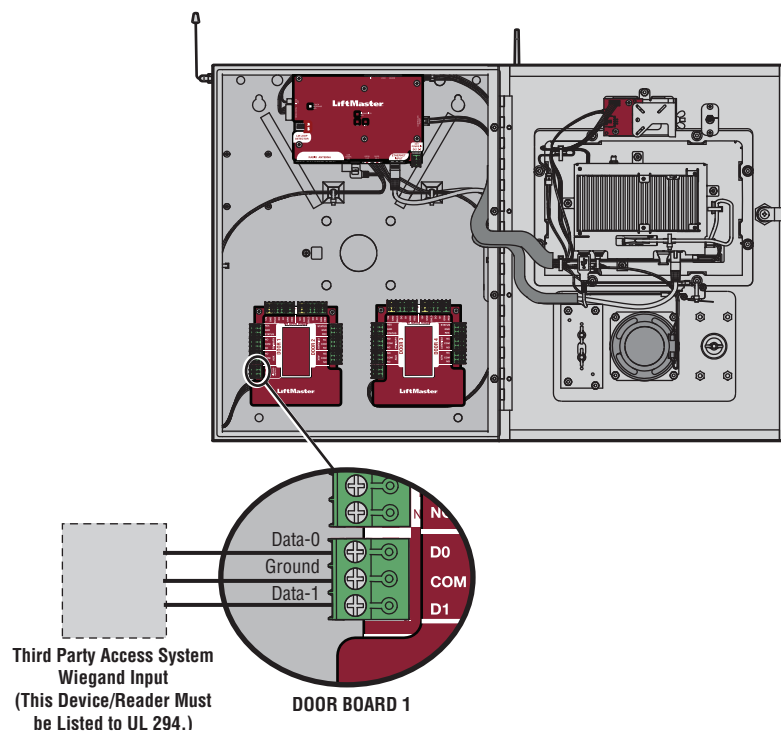
Wiegand Output

Disconnect power BEFORE making electrical connections. The CAPXL / CAPXLV offers a Wiegand output capable of 26 bit transmission of the following data:

- Success Call with access granted by the resident. The CAPXL / CAPXLV will provide a myQ® Business™ specified facility code followed by the Directory Code of the resident that granted access.
- And/Or**
- Successful access through Entry Code. The CAPXL / CAPXLV will provide a myQ® Business™ specified facility code followed by the successful Entry Code.

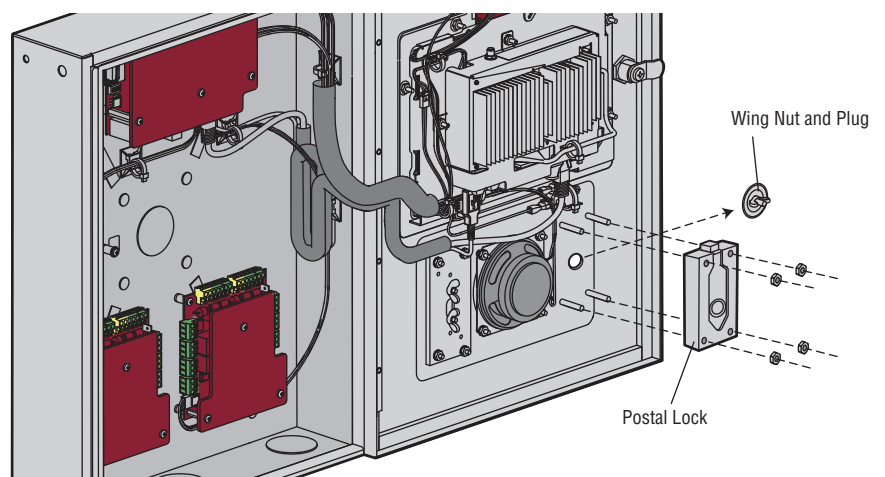
And/Or

- Successful access with a Wiegand credential. The CAPXL / CAPXLV will pass along the successful credential Facility Code and ID.



Postal Lock

1. Remove the wing nut and plug. Discard the wing nut and plug.
2. Remove 4 mounting nuts from studs.
3. Install postal lock using 4 nuts from step 3.
4. Cut the factory installed wire tie from the postal lock switch.
5. The postal lock switch is wired from the factory.



Upgrade CAPXL with CAPXLCAM

NOTE: CAPXLCAM is the only USB camera supported by CAPXL and myQ® Business™ video features. CAPXLCAM is the only camera evaluated by UL for use with CAPXL.

PRIOR TO CAMERA INSTALLATION

1. **Make note of all Internet connectivity settings before any firmware update.** When updating firmware Internet settings will be deleted. Go to the CAPXL connection screen in admin mode and write down or take picture of settings.
2. Ensure CAPXL is running Firmware version 2.0 or higher. Warning: The CAPXL upgrade process requires a restart and could be non-functional for up to 30 minutes while this upgrade takes place. Please ensure the gates/doors are open or residents have an alternate means to enter to the community during this brief period prior to hitting the upgrade button in myQ® Business™. This may require a technician on site to ensure safe operation and resident flow.
3. Login to myQ® Business™ to update the CAPXL to the latest firmware version. Turn off power by disconnecting the power input on the I/O board.
4. Remove the protective LENS cover from the camera assembly lens.

NOTE: Camera lens cover must be removed prior to mounting in the CAPXL.

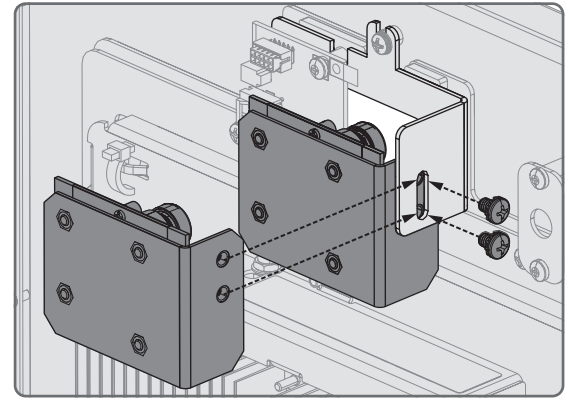
Installation

1. Open CAPXL and remove the existing black camera bracket (top middle) by loosening and removing the wingnut.
2. Ensure CAPXL camera window is clean and free of any obstructions. Cleaning the camera window with a clean lens wipe or lens cloth is recommended.
3. Remove all items from shipping carton and ensure all required items are present: camera assembly, camera bracket, USB cable, and mounting hardware bag.
4. Use the mounting hardware to attach the new bracket with camera to the CAPXL. Securely tighten.
5. Use pliers to unplug the upper right dummy plug from USB socket on control board (controller). (Figure 1.A)
6. USB Port #3 must be used to connect the camera. The Micro USB end of the USB cable goes into the camera and the standard USB end of the cable specifically connects to USB port #3, (the upper right USB port on the controller.) (See Figure 1.B)
7. Route and secure USB cable with included tie-wraps. (Figure 2)
8. Turn on power to the CAPXL.
9. Enter CAPXL Admin Mode using the #1 dip switch. Select the "Audio / Video" tab and confirm the video feed appears, the angle and orientation is correct. (Figure 3)
10. Refer to the myQ® Business™ Quickstart Guide and visit the help section of the myQ® Business™ website for tutorial videos and further assistance with setting up the camera functions. Features such as the recording of events, the Guest View Feature, and more are set up within the myQ® Business™ account.

Access your myQ® Business™ account at:
<https://www.myQBusiness.com>

myQ® Business™ Help and Tutorial Videos:
<https://www.myQBusiness.com/Help>

NOTE: Options such as live streaming within myQ® Business™ are included with an access control subscription.



Recommended Tools

- Network Test Software
- Philips Screwdriver
- Network LAN Cable Tester
- Wi-Fi / Wi-Fi Hotspot
- Wi-Fi Analyzer App
- Pliers

Carton Inventory

- Camera assembly
- Camera bracket
- USB cable
- Mounting hardware bag (2x Screws)

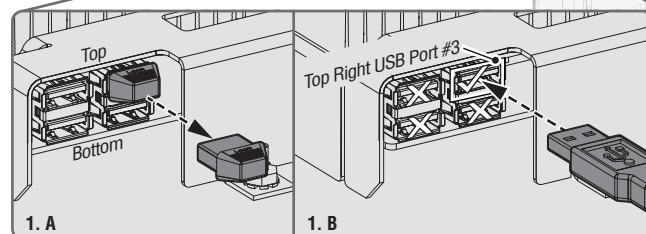


Figure 1. Removing the dummy USB and connecting to USB Port #3 on the upper right side of the controller.

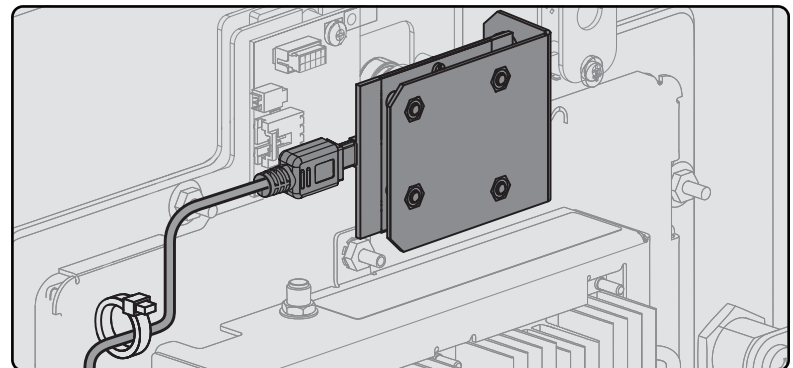


Figure 2. Routing the USB cable.

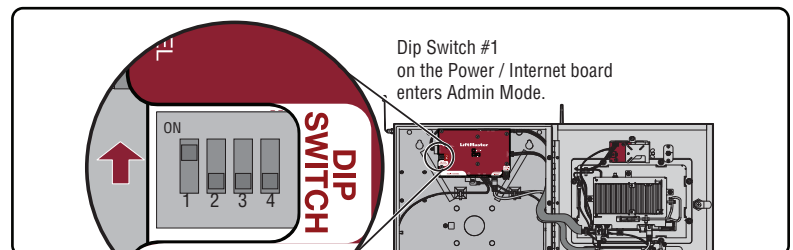


Figure 3. Admin Mode.

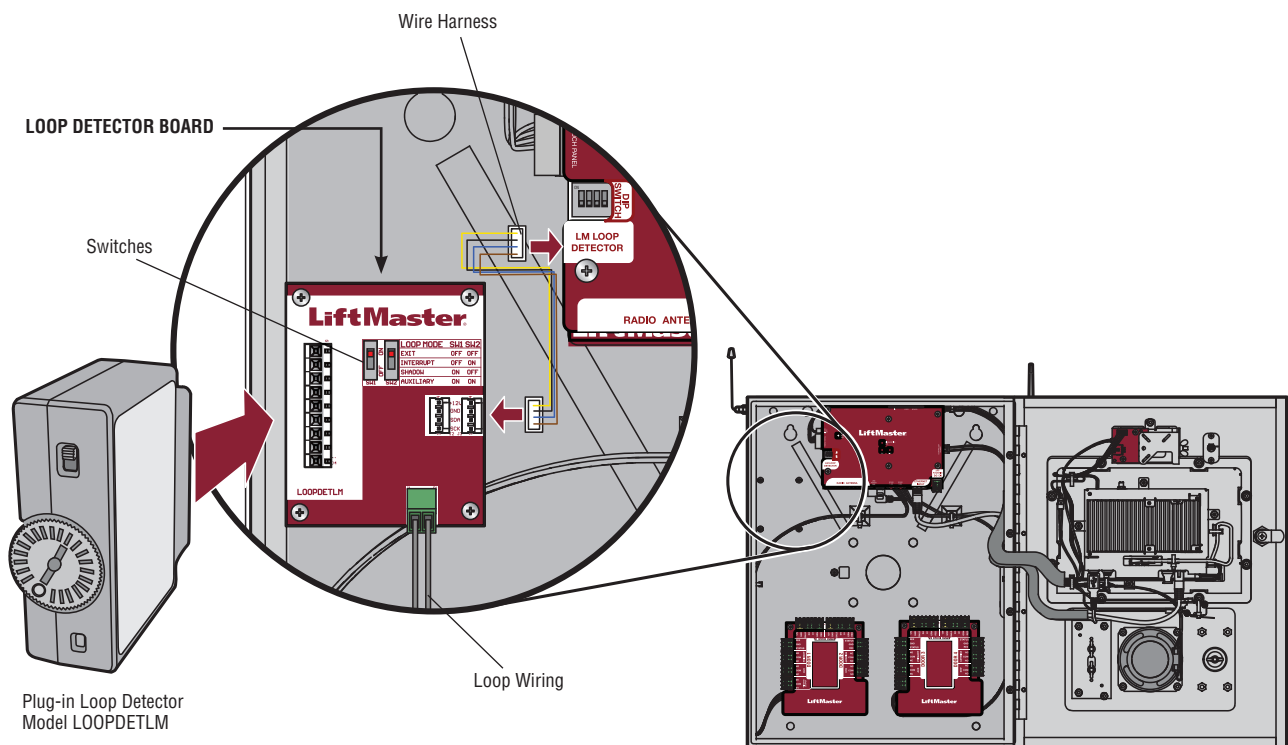
NOTE: Please refer to the specific jurisdiction to determine if specific signage will be required for video use and monitoring.

Auto-Call Feature

Disconnect power BEFORE making electrical connections. The Loop Detector Board (model LPEXP, not provided) combined with the LOOPDETLM, provides Auto Call functionality that is available through the auxiliary switch setting. The LPEXP and LOOPDETLM can be purchased together as a kit (LPEXPKIT). When the loop detects a vehicle the number programmed into the “Quick call” field in myQ® Business™ is automatically dialed.

1. Secure the Loop Detector Board (model LPEXP) to the standoffs in the CAPXL / CAPXLV with the provided screws.
2. Connect the wire harness from the Loop Detector Board to the Power/Internet Board.
3. Connect the loop wires to the input on the Loop Detector Board.
4. Plug in the loop detector (model LOOPDETLM).
5. Set both switches on the Loop Detector Board to ON (auxiliary setting).
6. Activate the loop input in the CAPXL / CAPXLV main Admin screen (Toggle dip switch #1)

LOOP MODE	SW1	SW2
EXIT	Not supported	
INTERRUPT	Not supported	
SHADOW	Not supported	
AUXILIARY	ON	ON

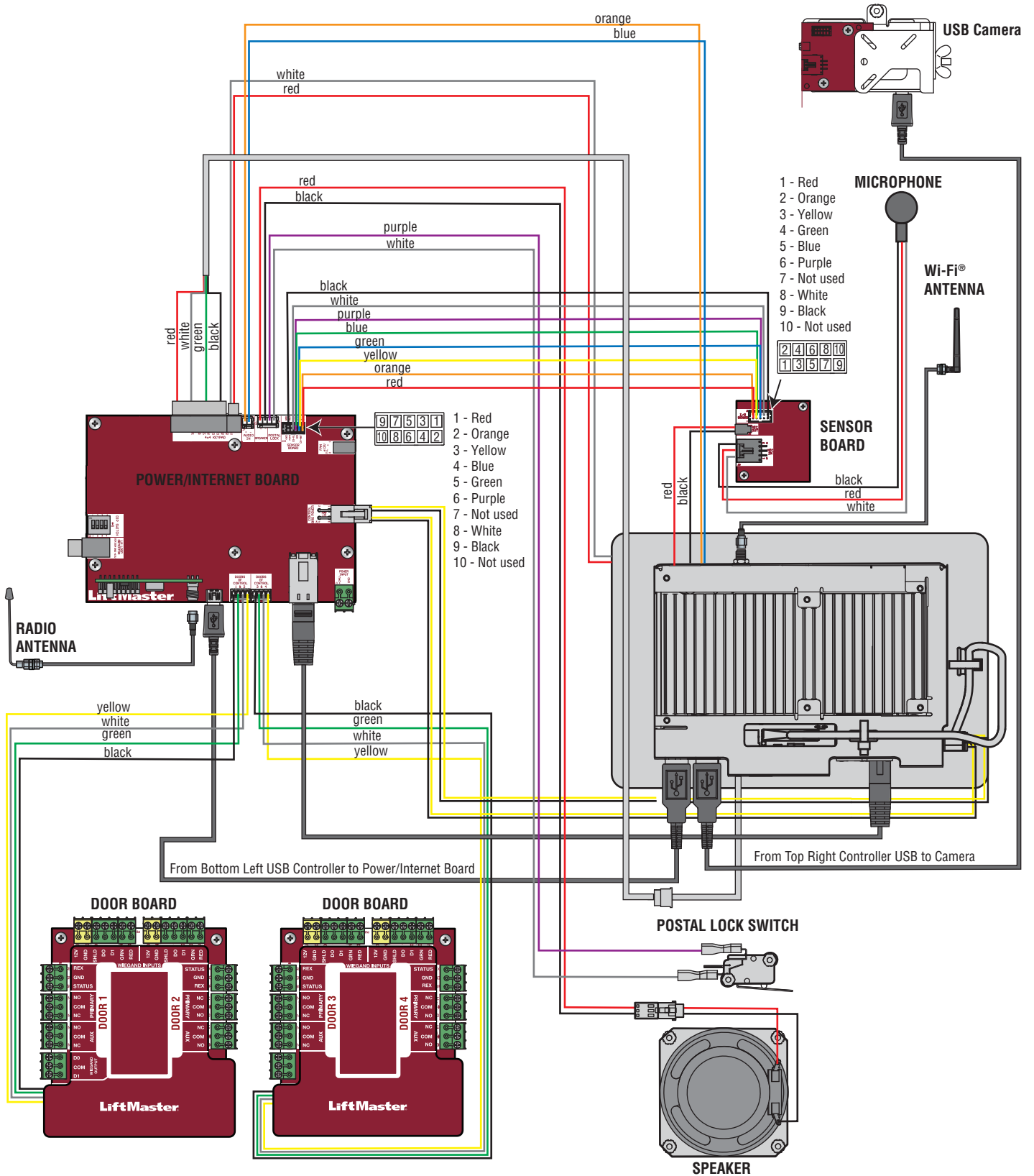


NOTE: Loop Detector Board not evaluated by UL.

Wiring Diagram

CAUTION

Not responsible for conflicts between the information listed in the wiring diagram and the requirements of your local building codes. The information is for suggested use ONLY. Check your local codes BEFORE installation.



Repair Parts

ITEM	PART NUMBER
Cam And Lock Kit	K002B0799-3
Power Supply	K002A1978
Wi-Fi® Antenna Kit	K76-38957
Radio Antenna Kit	K76-38958
Faceplate Kit	K41-0104-000
Sensor Board	K001D8592
Camera Window And Gasket	K41-0110-000
Touchscreen Display	K41-0103-000
Control Board	K41-0112-000
Power/Internet Board	K001D8439
Door Board And Covers	K001D8478
Microphone Kit	041B0692
Reader Mounting Plate	K012B1067
Postal Lock Switch	K041B0996-1
Rear Housing Assembly	K75-38330
Wiring Kit	K94-38407
Speaker	K002B1910
Faceplate and Display Assembly	K41-0117-000

Accessories

ITEM	PART NUMBER
Back Box and Trim Kit	CAPXLTk
Reader Multi-class SE RP10 Mini Mullion	LMMC-MINI
Radio Antenna Extension (15 foot)	86LM
Wi-Fi® Antenna Extension (15 foot)	WFAEXT
UHF Long Range RFID reader	LMSC1000
Wiegand Keypad/Proximity Reader	KPR2000*
Loop Detector Input Board	LPEXP
Cellular Modem 4G/LTE	CAPCELL
Connected Access Portal 2 Door	CAP2D
All LiftMaster® myQ®/UL325 compatible gate operators	
Passport 3-Button Visor Remote Control MAX	PPV3M
Passport 3-Button Mini Remote Control MAX	PPK3M
Passport 3-Button Mini Proximity Remote Control MAX	PPK3PHM
Passport Lite 1-Button Visor Remote	PPLV1-X**
Passport Lite 1-Button Key Chain Remote	PPLK1-X**
Passport Lite 1-Button Mini Proximity Remote	PPLK1PH-X**
New USB Camera Kit	CAPXLCAM
RFID Long Range Reader	LMSC1000
RFID Universal Tag (windshield/headlamp)	LMUNTG
RFID Vehicle Hang Tag	LMHNTG

* KPR2000 verified for supplementary use only

** Available in 10 and 100 packs, replace X with 10 or 100

NOTE: A current list of compatible readers and keypads is maintained at LiftMaster.com. If you have a specific model of reader or keypad that is not listed on the LiftMaster website, please contact LiftMaster Technical Support to determine compatibility.

Configuration Sheet

Record device information and configuration settings below.

CAPXL / CAPXLV Name:
<i>NOTE: Any user of the system is subject to the terms outlined in the product EULA.</i>
Notes:

DEVICE CONFIGURATION:

DOOR 1	DOOR/GATE NAME:		
INPUTS	WIEGAND	REX	STATUS
			EOL (Y / N)
OUTPUTS	PRIMARY RELAY		AUXILIARY RELAY
	N.O.	N.C.	N.O. N.C.
Notes:			

DOOR 2	DOOR/GATE NAME:		
INPUTS	WIEGAND	REX	STATUS
			EOL (Y / N)
OUTPUTS	PRIMARY RELAY		AUXILIARY RELAY
	N.O.	N.C.	N.O. N.C.
Notes:			

DOOR 3	DOOR/GATE NAME:		
INPUTS	WIEGAND	REX	STATUS
			EOL (Y / N)
OUTPUTS	PRIMARY RELAY		AUXILIARY RELAY
	N.O.	N.C.	N.O. N.C.
Notes:			

DOOR 4	DOOR/GATE NAME:		
INPUTS	WIEGAND	REX	STATUS
			EOL (Y / N)
OUTPUTS	PRIMARY RELAY		AUXILIARY RELAY
	N.O.	N.C.	N.O. N.C.
Notes:			

Legal Disclaimers

Federal Communications Commission (FCC) Compliance

This equipment has been tested and found to comply with the limits for a Class B digital device, pursuant to Part 15 of the FCC Rules. These limits are designed to provide reasonable protection against harmful interference in a residential installation or when the equipment is operated in a commercial environment. This equipment generates, uses and can radiate radio frequency energy and, if not installed and used in accordance with the instruction manual, may cause harmful interference to radio communications. However, there is no guarantee that interference will not occur in a particular installation. If this equipment does cause harmful interference to radio or television reception, which can be determined by turning the equipment off and on, the user is encouraged to try to correct the interference by one or more of the following measures:

- Increase the distance between the equipment and receiver.
- Connect the equipment to a circuit other than the one to which the receiver is connected.
- Consult the dealer for help.

Canada-Underwriters Laboratories Compliance

The CAPXL / CAPXLV shall be installed in accordance with Part 1 of the Canadian Electrical Code.

Documentation Disclaimer and Restrictions

Information in this document is subject to change without notice and does not represent a commitment on the part of LiftMaster. For the most up-to-date information, visit LiftMaster.com.

This document and the data herein shall not be duplicated, used or disclosed to others for procurement or manufacturing, except as authorized with the written permission of LiftMaster. The information contained within this document or within the product itself is considered the exclusive property of LiftMaster. All information in this document or within the hardware and software product themselves is protected by the copyright and/or other intellectual property laws of the United States.

UL 294 Access Control Unit Endurance: Level 4, Line security: Level 2, Destructive Attack: Level 1, Power Standby: Level 1

NOTICE: This device complies with part 15 of the FCC rules and Innovation, Science and Economic Development Canada licence-exempt RSSs. Operation is subject to the following two conditions: (1) this device may not cause harmful interference, and (2) this device must accept any interference received, including interference that may cause undesired operation. Any changes or modifications not expressly approved by the party responsible for compliance could void the user's authority to operate the equipment.

This device must be installed to ensure a minimum 20 cm (8 in.) distance is maintained between users/bystanders and device.

This device has been tested and found to comply with the limits for a Class B digital device, pursuant to part 15 of the FCC rules and Industry Canada ICES standard. These limits are designed to provide reasonable protection against harmful interference in a residential installation. This equipment generates, uses and can radiate radio frequency energy and, if not installed and used in accordance with the instructions, may cause harmful interference to radio communications.

However, there is no guarantee that interference will not occur in a particular installation. If this equipment does cause harmful interference to radio or television reception, which can be determined by turning the equipment off and on, the user is encouraged to try to correct the interference by one or more of the following measures:

- Reorient or relocate the receiving antenna.
- Increase the separation between the equipment and receiver.
- Connect the equipment into an outlet on a circuit different from that to which the receiver is connected.
- Consult the dealer or an experienced radio/TV technician for help.

NOTICE: When mounting the CAPXL / CAPXLV at a pedestrian entrance, to meet ADA compliance, mount the top of the CAPXL / CAPXLV screen no higher than 54 inches from the ground.

NOTE: When installing CAPXLV or retrofitting with a video camera, please refer to the local jurisdiction for any specific requirements such as physical signage that may be required.

Warranty

LiftMaster (“Seller”) warrants to the first purchaser of this product, for the structure in which this product is originally installed, that it is free from defect in materials and/or workmanship for a period of two years from the date of purchase.

The proper operation of this product is dependent on your compliance with the instructions regarding installation, operation, maintenance and testing. Failure to comply strictly with those instructions will void this limited warranty in its entirety.

If, during the limited warranty period, this product appears to contain a defect covered by this limited warranty, call 1-800-528-2806 before dismantling this product. Then send this product, pre-paid and insured, to our service center for warranty replacement. Products returned to Seller for warranty replacement, which upon receipt by Seller are confirmed to be defective and covered by this limited warranty, will be replaced (at Seller’s sole option) at no cost to you and returned pre-paid. Defective parts will be replaced with new or factory-rebuilt parts at Seller’s sole option.

THIS LIMITED WARRANTY IS IN LIEU OF ANY OTHER WARRANTIES, EXPRESS OR IMPLIED, INCLUDING ANY IMPLIED WARRANTY OF MERCHANTABILITY OR FITNESS FOR A PARTICULAR PURPOSE OR OTHERWISE, AND OF ANY OTHER OBLIGATIONS OR LIABILITY ON SELLER’S PART. THIS LIMITED WARRANTY DOES NOT COVER NON-DEFECT DAMAGE, DAMAGE CAUSED BY IMPROPER INSTALLATION, OPERATION OR CARE (INCLUDING, BUT NOT LIMITED TO ABUSE, MISUSE, FAILURE TO PROVIDE REASONABLE AND NECESSARY MAINTENANCE, UNAUTHORIZED REPAIRS OR ANY ALTERATIONS TO THIS PRODUCT), LABOR CHARGES FOR REINSTALLING A REPAIRED OR REPLACED UNIT, PROBLEMS RELATED TO INTERFERENCE, OR REPLACEMENT OF BATTERIES.

UNDER NO CIRCUMSTANCES SHALL SELLER BE LIABLE FOR CONSEQUENTIAL, INCIDENTAL OR SPECIAL DAMAGES ARISING IN CONNECTION WITH USE, OR INABILITY TO USE, THIS PRODUCT. IN NO EVENT SHALL SELLER’S LIABILITY FOR BREACH OF WARRANTY, BREACH OF CONTRACT, NEGLIGENCE OR STRICT LIABILITY EXCEED THE COST OF THE PRODUCT COVERED HEREBY. NO PERSON IS AUTHORIZED TO ASSUME FOR US ANY OTHER LIABILITY IN CONNECTION WITH THE SALE OF THIS PRODUCT.

Some states do not allow the exclusion or limitation of consequential, incidental or special damages, so the above limitation or exclusion may not apply to you. This limited warranty gives you specific legal rights, and you may also have other rights which vary from state to state.

myQ® Business™

Portail d'accès connecté, haute capacité

MANUEL D'INSTALLATION

Modèles de CAPXL / CAPXLV



LiftMaster®

Sécurité

Examen des symboles de sécurité et des mots de signalement

Les symboles de sécurité et les mots de signalement qui figurent sur les pages suivantes vous avertissent de la possibilité de blessures graves ou mortelles en cas de non-conformité aux avertissements qui les accompagnent. Le danger peut être de source mécanique ou provenir d'une décharge électrique. Lire attentivement les avertissements.

Lorsque ce mot-indicateur figure sur les pages suivantes, il vous alerte de la possibilité de dommages à la barrière et/ou à l'actionneur de porte si les mises en garde qui l'accompagnent ne sont pas observées. Prière de les lire attentivement.

AVERTISSEMENT

MÉCANIQUE

AVERTISSEMENT

ÉLECTRICITÉ

ATTENTION

AVERTISSEMENT

Pour réduire le risque de BLESSURES GRAVES, voire MORTELLES :

- Déconnecter l'alimentation au niveau de la boîte à fusibles AVANT de poursuivre.
- Pour ÉVITER d'endommager les conduites de gaz, d'alimentation électrique ou autres conduites de services publics, contacter les compagnies de localisation de services souterrains AVANT d'entreprendre les travaux d'excavation.
- TOUTES les connexions électriques DOIVENT être réalisées par un professionnel compétent.
- TOUT câblage d'alimentation et de commande DOIT être acheminé dans un conduit séparé.

Pour assurer la protection contre le feu et une électrocution :

- Déconnecter l'alimentation AVANT d'installer ou d'effectuer toute intervention sur le CAPXL / CAPXLV.
- NE JAMAIS connecter un clavier/lecteur ou une serrure aux portes sans d'abord consulter le code de prévention des incendies applicable.
- Il est IMPÉRATIF de consulter les autorités du service local des incendies et d'obtenir leur approbation AVANT d'installer des serrures ou des dispositifs à TOUTE porte qui pourrait servir de sortie de secours en cas d'incendie.
- Il est possible que l'utilisation de boutons-poussoirs pour une porte de secours ne soit pas légale. Des sorties de secours à action unique peuvent être exigées.
- Obtenir TOUJOURS les permis et autorisations appropriés AVANT d'installer un équipement quelconque.

 **AVERTISSEMENT** : Ce produit peut vous exposer à des produits chimiques comme le plomb, reconnu par l'État de la Californie comme cause de cancers, d'anomalies congénitales et d'autres problèmes liés à la reproduction. Pour plus d'information, visitez www.P65Warnings.ca.gov.

INTRODUCTION

i

Présentation du CAPXL / CAPXLV	4
Présentation de la carte d'alimentation/internet	5
Présentation de la carte de la porte	6
Contenu de la boîte	7
Outils nécessaires	7
Dimensions	8
Caractéristiques du système	8
Caractéristiques techniques du câblage	9
Exigences internet.....	10

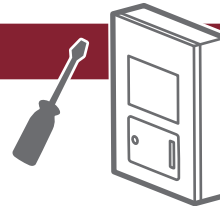
1 PRÉ-INSTALLATION

Service internet	11
Fournisseur de service téléphonique	11
Création d'un compte® myQ™ Business	11

myQ® business™

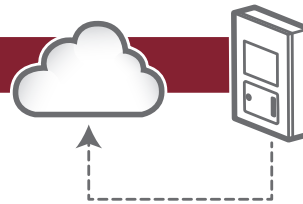
2 INSTALLATION

Enlever les entrées défonçables	12
Montage du CAPXL / CAPXLV	13
Installation des antennes.....	14
Installation de la masse.....	15
Raccordement de l'alimentation	16



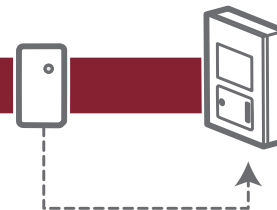
3 RÉSEAU

Connexion à internet	17
Validation de la configuration.....	17



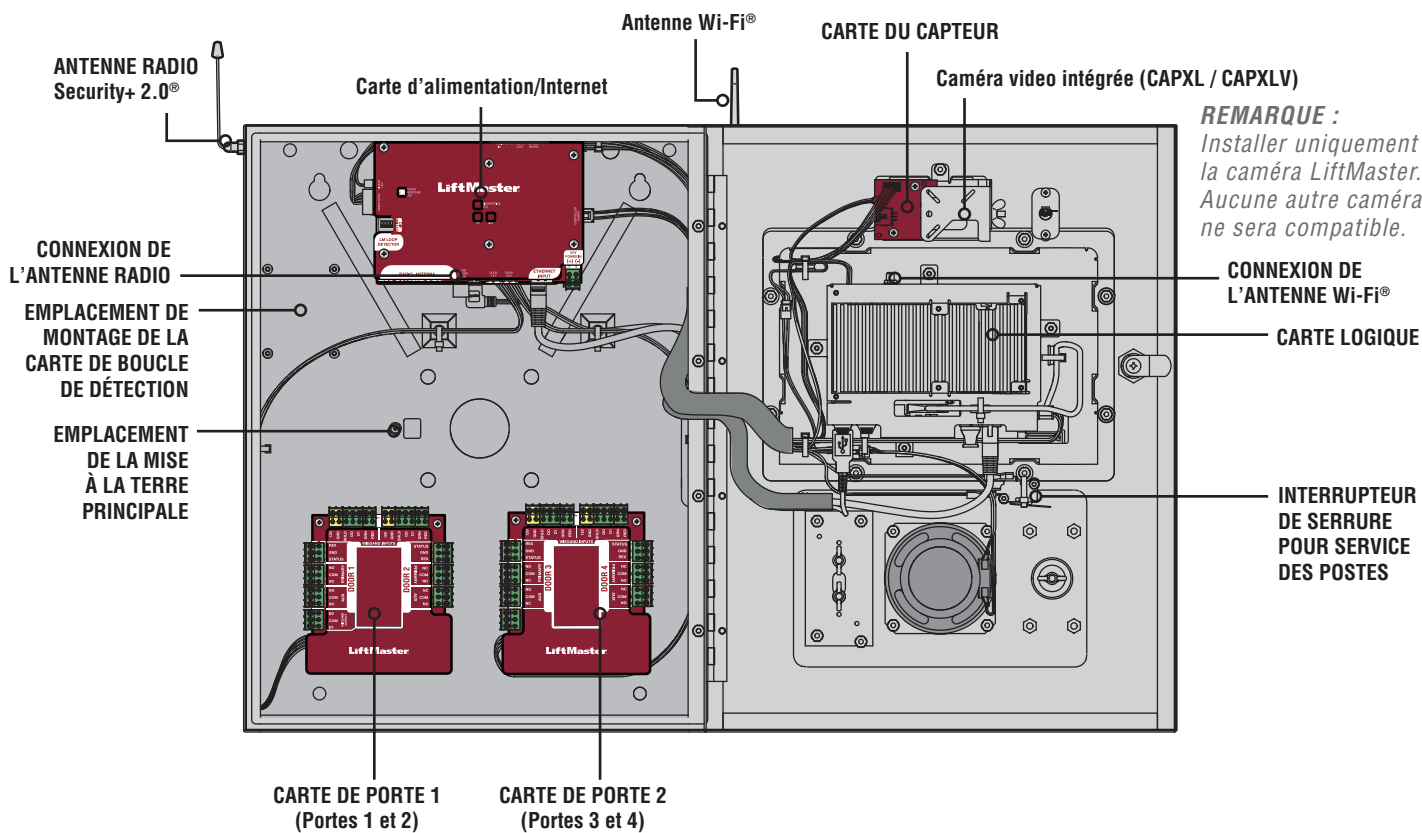
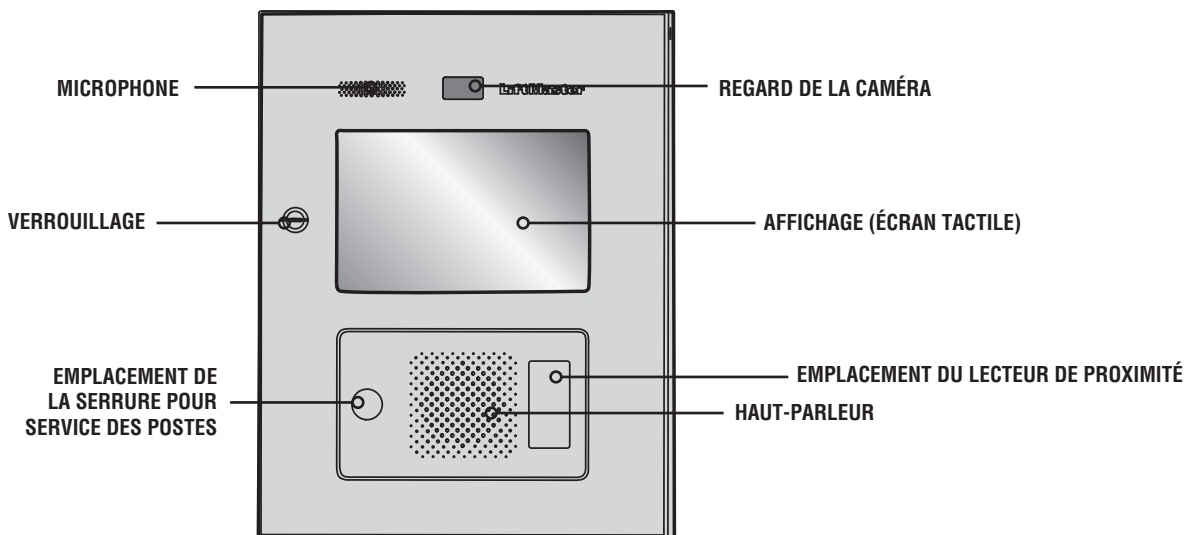
4 CONTRÔLE D'ACCÈS

Accès à la barrière (câblé).....	18
Accès à la barrière (sans fil).....	19
Accès à la porte.....	20
Lecteur de carte	21
Sortie Wiegand.....	22
Serrure pour service postal.....	23
Fonction de caméra vidéo	24
Fonction d'appel automatique	25
Schéma de câblage	26
Pièces de réparation.....	27
Accessoires.....	27
Feuille de configuration	28
Avis de non-responsabilité	29
Garantie.....	30

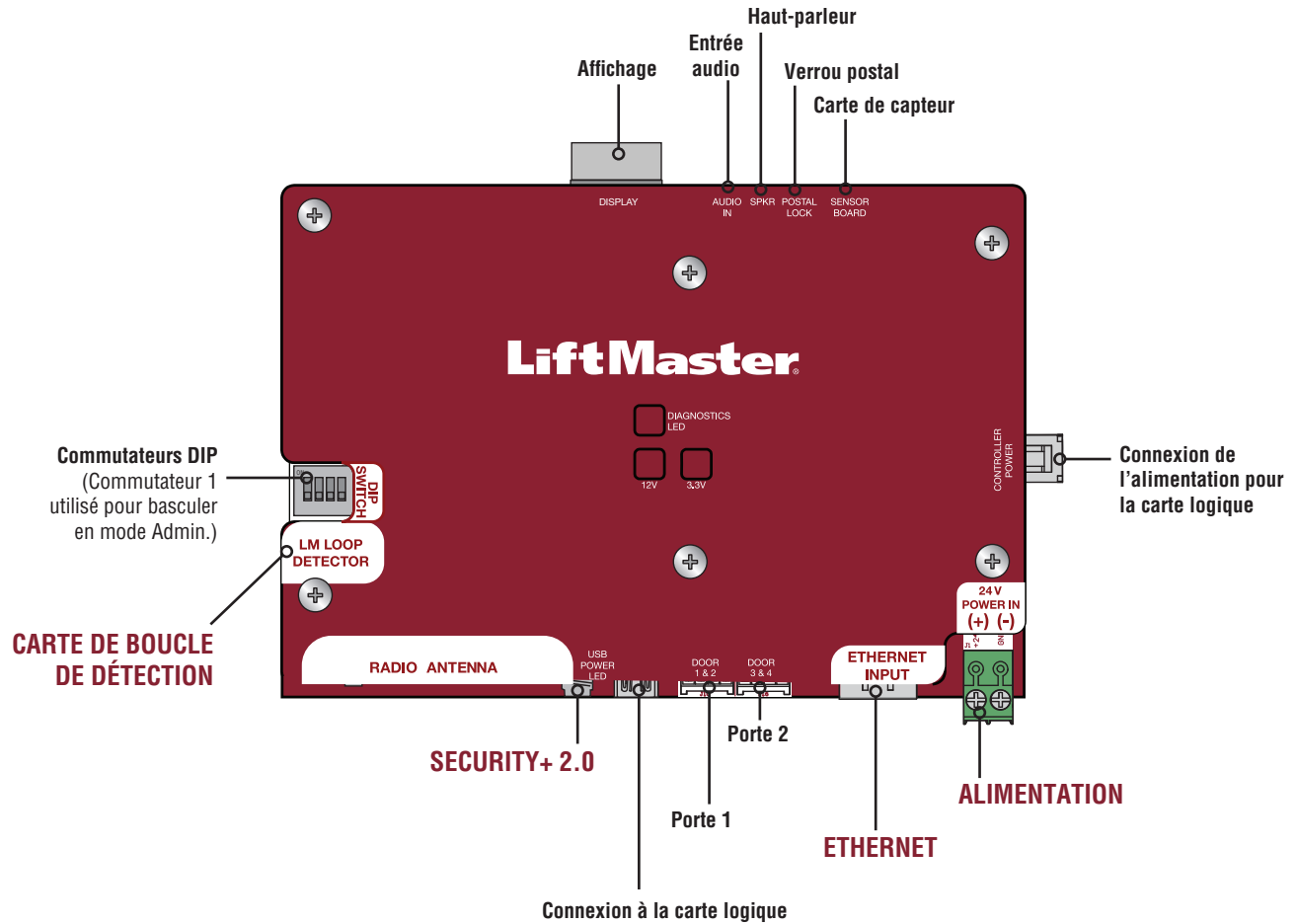


Présentation du CAPXL / CAPXLV

Les CAPXL / CAPXLV sont des solutions de contrôle d'accès infonuagiques pour complexes résidentiels. Le **CAPXLV** comprend une caméra vidéo activant des fonctions vidéo avancées.

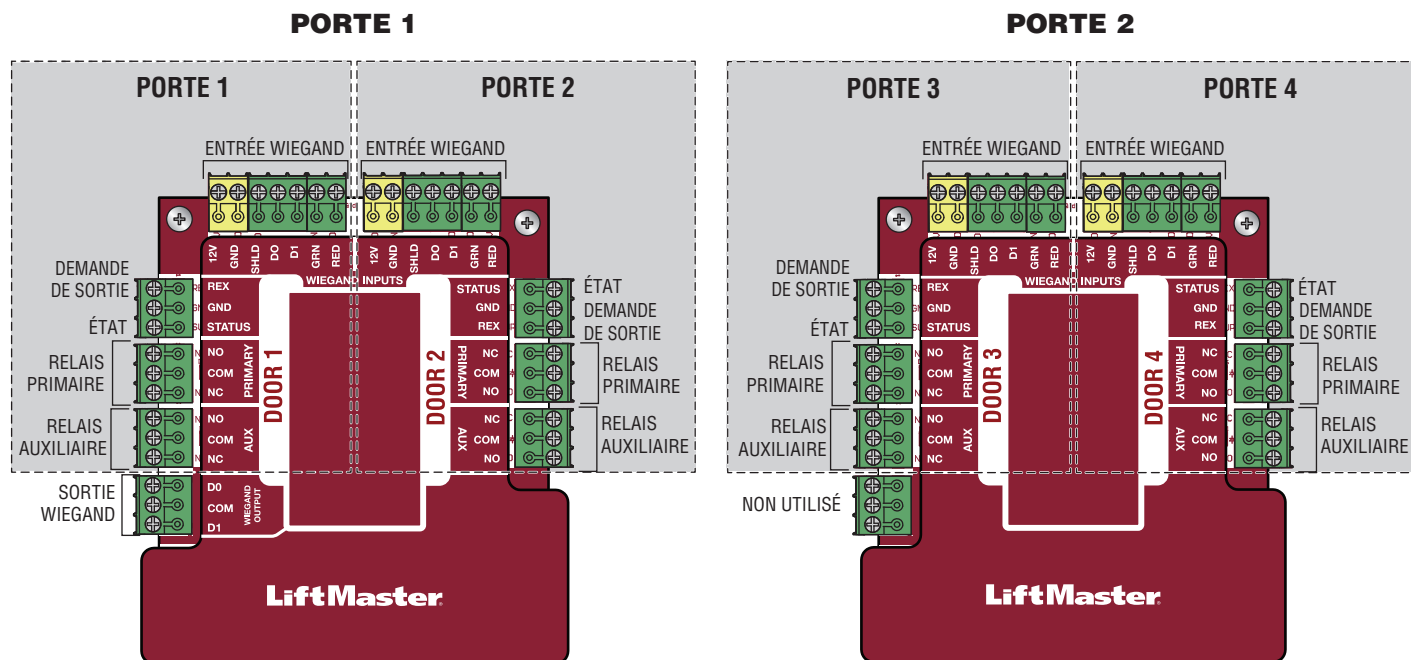


Présentation de la carte d'alimentation/internet



Présentation de la carte de la porte

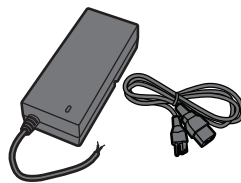
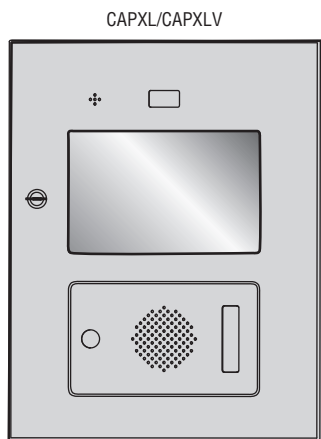
Le CAPXL / CAPXLV a une combinaison d'entrées/sorties d'accès sur les cartes de portes qui fonctionnent en conjonction pour commander jusqu'à 4 points d'accès.



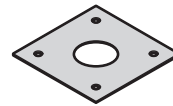
ENTRÉE/SORTIE	UTILISÉ POUR
ENTRÉE WIEGAND	Lecteurs de proximité, claviers ASCII, lecteurs RDID émettant 26 bits, *30 bits, *32 bits Mifare *et*37 bits. (Alimentation de 12 V c. c. pour lecteurs uniquement. Ne pas utiliser avec des dispositifs d'alimentation externe)
DEMANDE DE SORTIE	Boucles de détection de sortie libre externes, boutons-poussoirs et capteurs de proximité
État	Capteurs de porte, actionneurs de barrière supervisés et câble en aval
RELAIS PRIMAIRE	Capteur de porte fermée, capteur de barrière fermée, actionneurs de barrière supervisés en aval ou non supervisés, barres antipanique et serrures électromagnétiques.
RELAIS AUXILIAIRE	Actionneur de barrière, barres antipanique, shunt d'alarme, serrures électromagnétiques et éclairage (pour commande uniquement - l'alimentation doit être fournie par une source externe)
Sortie Wiegand	Activité d'accès accordé de 26 bits pour intégration aux systèmes de tierce partie

***REMARQUE :** Seul le protocole Wiegand de 26 bits est compatible avec les installations UL.

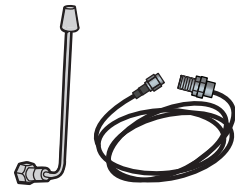
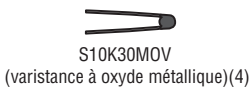
CONTENU DE LA BOÎTE



Alimentation électrique



Joint pour col de cygne

Antenne radio (Security+ 2.0®)
et câbleS10K30MOV
(varistance à oxyde métallique)(4)

Clés (2)



Tore magnétique



Trousse de diodes 1N4005 (4)



Antenne et câble Wi-Fi®

FOURNI (NON MONTRÉ)

- Manuel d'installation
- Guide de démarrage rapide

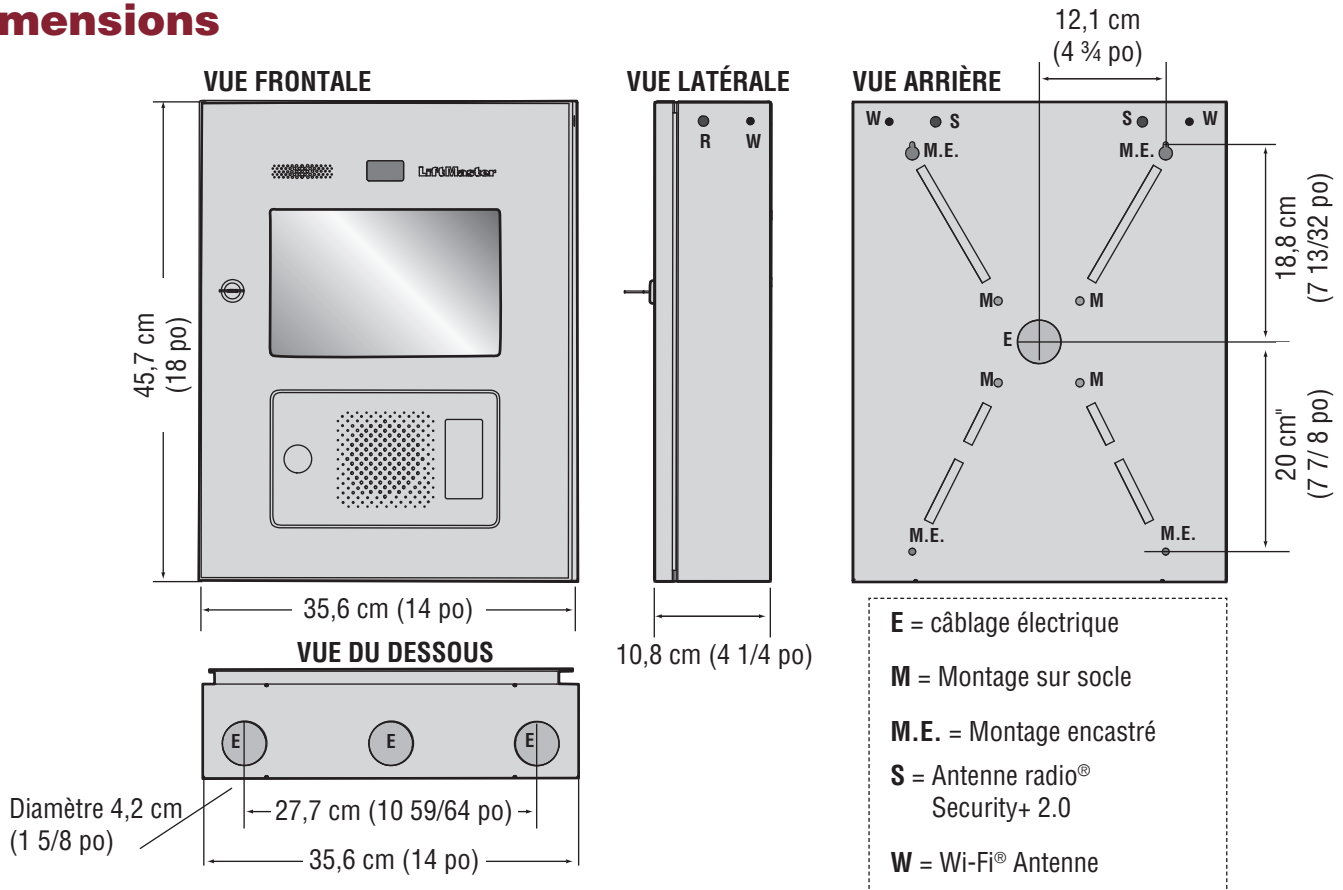
Outils nécessaires

- Tournevis à tête cruciforme PH2
- Tournevis à tête plate de précision 1/8 po ou cruciforme PH0
- Tourne-écrou magnétique 1/4 po
- Perceuse/tournevis électrique
- 7/64" 7/64
- Embouts de perceuse à percussion pour perceuse/outil électrique
- Pincés à sertir RJ45
- Multimètre
- Ruban à mesurer
- Cintreuse de tuyaux rigides
- Alésoir/coupe-tuyau
- Scie à métaux
- Pointeau
- Marteau

Outils supplémentaires recommandés

- Testeur de câblage de réseau local
- Appli d'analyse Wi-Fi (appli de téléphone intelligent)
- Logiciel d'analyse du réseau

Dimensions



Caractéristiques techniques

Capacité du CAPXL / CAPXLV	Capacité de résidents 50 000 / Historique d'événements locaux 50 000
Tension d'alimentation	24 V c. c., 60 W (minimum), sortie de classe 2, efficacité de niveau VI, (source d'alimentation 100 à 240 V c.a., 2 A, 50/60 Hz)
Courant de fonctionnement	1,25 A – Sans accessoires
Limite de surtension	Protection contre les transitoires électriques rapides : ligne d'alimentation 2 kV, protection électrostatique : 15 kV Hbm / 8 kV direct / 200 V Mm
Plage de températures de service du CAPXL / CAPXLV	-29 °C à 54 °C (-20 °F à 130 °F)
Enceinte	Acier inoxydable
Plage de températures de rangement et d'expédition	-40 °C à 65 °C (-40 °F à 149 °F)
Entrées Wiegand (4)	26 bits, *30 bits, *32 bits Mifare, *37 bits avec ou sans code d'installation et ASCII (pour claviers). 12 V c. c., sortie de puissance 250 mA (par entrée).
Sorties de relais : 4 primaires et 4 auxiliaires	interrupteur unipolaire bidirectionnel, charge nominale de 3 A à 30 V c. c. (chacun)
Compatibilité des accessoires	Se reporter à la page des accessoires
Compatibilité du réseau	10/ 100/ 1 000 Ethernet
Compatibilité Wi-Fi®	802.11 a/b/g/n et 802.11 ac 2,4 GHz
Sécurité Wi-Fi®	Le CAPXL / CAPXLV est compatible avec les routeurs qui utilisent les protocoles de sécurité suivants : WPA2-PSK, (AES) (recommandé), WPA2-PSK (TKIP) (recommandé), WPA2 Personal (recommandé), WPA-PSK (AES) et WPA-PSK (TKIP). Le CAPXL / CAPXLV n'est PAS compatible avec les routeurs qui utilisent les protocoles de sécurité suivants; WPA2 Enterprise, WEP, ouvert (pas de mot de passe ou de chiffrement)
Portée du signal WiFi®	Jusqu'à 152,4 m (500 pi), champ libre/visibilité directe (la portée variera selon les obstructions)
Récepteur Passport LiftMaster intégré	Security+ 2.0®
Communication sans fil à l'actionneur de barrière	Jusqu'à 228,6 m (750 pi), champ libre/visibilité directe (la portée variera selon les obstructions), compatible avec les actionneurs de barrière LiftMaster Security+ 2.0®
Caméra vidéo CAPXLV	1 080 p, angle de visualisation - 135 degrés en diagonale

***REMARQUE :** Seul le protocole Wiegand de 26 bits est compatible avec les installations UL. Les portées Wi-Fi® et sans fil n'ont pas été évalués par l'UL.

Caractéristiques techniques du câblage

Utiliser ce tableau pour tirer les fils en préparation de votre installation. Consulter les codes du bâtiment nationaux et locaux avant d'effectuer l'installation.

DESCRIPTION DU FILAGE	CARACTÉRISTIQUES TECHNIQUES DU CÂBLAGE	DISTANCE MAXIMALE DU FILAGE
Câble d'alimentation, sortie c. c. secondaire	à 2 conducteurs 14 AWG à 2 conducteurs 16 AWG à 2 conducteurs 18 AWG	Jusqu'à 91,4 m (300 pi) Jusqu'à 60,9 m (200 pi) Jusqu'à 30,4 m (100 pi)
Réseau local (LAN) Câble de réseau CAT 5 ou mieux Un câble CAT 5e ou mieux est préférable pour la vidéo.	à 8 conducteurs, à paires torsadées 24 AWG	100 m (328 pi)
Mise à la masse du châssis (utiliser la cosse de mise à la terre dans le CAPXL / CAPXLV)	Cuivre 12 AWG	3,7 m (12 pi)
Gâche de porte	à 2 conducteurs, blindé 18 à 22 AWG	100 - 250 30,5 à 76,2 m (100 à 250 pi)
Serrure électromagnétique	à 2 conducteurs, 18 à 22 AWG	50 - 125 15,2 à 38,1 m (100 à 250 pi)
Fermeture à contact sec (la plupart des actionneurs)	à 2 conducteurs, blindé 18 à 24 AWG	500 - 2 500 152,4 à 762 m (100 à 250 pi)
Demande de sortie (REX)	à 2 conducteurs, 18 à 24 AWG	500 pi (152,4 m)
Entrée supervisée	à 2 conducteurs, 18 à 24 AWG	500 pi (152,4 m)
Lecteurs Wiegand/de proximité	à 7 conducteurs, blindé 18 à 22 AWG	500 pi (152,4 m)
Case postale	à 2 conducteurs, 18 à 24 AWG	250 À 1 000 (76,2 m à 304,8 m)

REMARQUE : Le câblage d'alimentation et de commande DOIT être acheminé dans des conduits distincts. Le conduit doit être homologué UL pour faibles et hautes tensions. Consulter le code de l'électricité national (NEC) pour les exigences de câblage supplémentaires.

Le câblage de catégorie 5 est la catégorie de rendement minimal recommandée.

Le câblage doit être conforme au code national de l'électricité (ANSI/NFPA 70), aux codes locaux et aux autorités ayant juridiction.

Fournir toujours une alimentation d'une source réservée à cet effet. Brancher le transformateur fourni dans une prise câblée à son propre disjoncteur de 10 A au minimum. Cela permet de prévenir deux problèmes :

- un autre équipement ne pourra pas introduire dans le circuit d'alimentation du bruit, des pointes ou chutes de tension ou des surtensions qui compromettraient le système.
- Le fonctionnement du système ne sera pas touché si tout autre équipement développe un court-circuit dans la ligne électrique.

*CÂBLE DE RÉSEAU CAT 5/6 REMARQUES :

- Pour les distances extérieures dépassant 42,7 m (140 pi), un limiteur de tension primaire conforme à la norme UL497 DOIT être installé au CAPXL / CAPXLV.
- Les distances dépassant 100 m (328 pi) peuvent être accommodées par le recours à une quincaillerie supplémentaire (offerte auprès de sources de tierce partie).

Exigences internet

Lors du choix d'un routeur, se servir de l'information ci-dessous pour garantir la compatibilité.

MODÈLE : CAPXL / CAPXLV – Portail d'accès connecté, haute capacité Le CAPXL / CAPXLV peut être connecté à un routeur par le biais d'une connexion câblée ou par le Wi-Fi. LiftMaster recommande une vitesse internet de 25 Mb/s (Mbit par seconde) pour le téléchargement, de 10 Mb/s pour le téléversement afin d'assurer le meilleur rendement vidéo (vitesse minimale de téléchargement de 10 Mb/s, vitesse de téléversement de 5 Mb/s pour chaque CAPXL prenant en charge la transmission à la caméra).

REMARQUE : Ces vitesses de téléchargement/téléversement devraient être assurées lorsqu'on envisage d'utiliser d'autres dispositifs sur le réseau comme des caméras et des ordinateurs.

LE CAPXL / CAPXLV EST COMPATIBLE AVEC LES ROUTEURS QUI UTILISENT LES protocoles de communication WI-FI SUIVANTS :

- 802.11a
- 802.11b
- 802.11g
- 802.11n

COMPATIBILITÉ DE SÉCURITÉ AVEC LE CAPXL / CAPXLV WI-FI

COMPATIBLE

- WPA2-PSK (AES) (recommandé)
- WPA2-PSK (TKIP) (recommandé)
- WPA2 Personal (recommandé)
- WPA-PSK (AES)
- WPA-PSK (TKIP)

NON COMPATIBLE

- WPA2 Enterprise
- WEP
- Ouvert (Pas de mot de passe ni de chiffrement)

CONSIDÉRATIONS SUPPLÉMENTAIRES DE COMPATIBILITÉ:

- Ne pas utiliser d'amplificateurs de signal Wi-Fi Ceux-ci peuvent créer un délai de transit dans la connexion entraînant une transmission vidéo intermittente ou manquant de fiabilité.
- Si un outil ou une appli de puissance du signal Wi-Fi est utilisé, une connexion ayant une puissance de signal Wi-Fi d'au moins -65 DBM (les nombres plus proches de zéro indiquent un signal plus puissant) au CAPXL / CAPXLV doit être garantie pour assurer une connexion acceptable au réseau local.
- Les noms de réseau sans fil cachés ne sont pas pris en charge. Le réseau doit être sélectionnable à partir de l'écran d'affichage du CAPXL / CAPXLV.
- Les réseaux Wi-Fi exigeant une authentification secondaire ne sont pas pris en charge (p. ex. réseaux Wi-Fi d'hôtels et d'aéroports)
- Lors de la vérification de la puissance du signal en mode Admin du CAPXL / CAPXLV, on recommande d'obtenir au moins deux barres, comme illustré à l'écran du CAPXL.
- Si deux barres ne sont pas disponibles, relocaliser le routeur, l'antenne ou se servir de l'accessoire WFAEXT (trousse de rallonge d'antenne Wi-Fi – 4,6 m [15 pi]) pour déplacer l'antenne du CAPXL / CAPXLV plus haut ou à un endroit permettant d'obtenir deux barres ou plus.

Les services suivants sont nécessaires pour que le CAPXL / CAPXLV puisse pleinement fonctionner.

1 Création d'un compte[®] myQ Business[™] Compte



REMARQUE : Si un compte myQ[®] existedéjà, votre compte myQ[®] Business[™] aura le même mot de passe. Aller à : myQBusiness.com pour vous connecter.

1. Si vous n'avez pas de compte myQ[®] Business[™], appeler le service à la clientèle LiftMaster au 800 323.2276 pour activer un compte myQ[®] Business[™].
2. U courriel de bienvenue vous sera envoyé LiftMaster. Accepter l'invitation et s'inscrire ou ouvrir une session dans le compte.
3. Configurer l'installation et ajouter les résidents et identifiants (consulter la section Aide [Help] dans myQ[®] Business[™]).
4. Poursuivre l'installation du CAPXL / CAPXLV dans ce manuel.

2 Service internet

Le CAPXL / CAPXLV DOIT être configuré à l'aide des bons paramètres de réseau pour fonctionner.

RÉSEAU

Fournisseur de service internet : _____

SANS FIL

réseau[®] Nom du réseau : _____

réseau[®] Mot de passe : _____

CÂBLÉ

Adressage IP automatique : DHCP (paramètre de préférence)

OU

Adressage IP statique : (**REMARQUE** : Noter les renseignements suivants pour référence ultérieure : IP, masque réseau, passerelle, primaire, secondaire, port du serveur)

3 Service téléphonique

Un abonnement à Phone.com, un fournisseur SIP est nécessaire pour pouvoir passer des appels vidéo. S'inscrire par le biais de myQ[®] Business[™] après qu'un CAPXL / CAPXLV a été ajouté à une installation. Pour tous les autres types d'appels téléphoniques, LiftMaster ne garantit pas et ne prend pas en charge le rendement des appels en cas d'utilisation d'un autre fournisseur SIP. Si un autre fournisseur de service de téléphonie est utilisé, les renseignements suivants seront nécessaires.

- Nom d'utilisateur SIP : _____
- Serveur mandataire de départ (facult.) _____
- Mot de passe SIP _____
- ID d'autorisation SIP (facult.) _____
- Domaine SIP _____
- Serveur STUN (facult.) _____
- Port de serveur _____

Le client est-il déjà titulaire d'un compte Phone.com?

Si oui, adresse de courriel du compte Phone.com. _____

Si oui, mot de passe du compte Phone.com _____

Si le client n'est pas titulaire d'un compte Phone.com.

Utiliser le portail à l'écran du CAPXL / CAPXLV pour créer un nouveau compte.

No CP pour le CAPXL / CAPXLV (TE2-XX-XXXX) : _____

(Situé sur l'étiquette CP sur le dessus du support de la carte logique et sur l'écran d'affichage au démarrage)

1 Enlever les entrées défonçables

1. Tourner la clé dans le sens des aiguilles d'une montre pour déverrouiller le CAPXL / CAPXLV.
2. Ouvrir la porte et étendre le CAPXL / CAPXLV face contre une table avec la porte qui pend du bord de la table, comme montré.
3. Déterminer les entrées défonçables qui doivent être enlevées selon votre application.
4. Se servir d'un pointeau pour enlever les entrées défonçables de l'extérieur du boîtier vers l'intérieur à l'aide du poinçon et du marteau de la taille appropriée. **REMARQUE :** En enlevant les entrées défonçables, prendre soin d'éviter d'endommager les composants du CAPXL / CAPXLV..

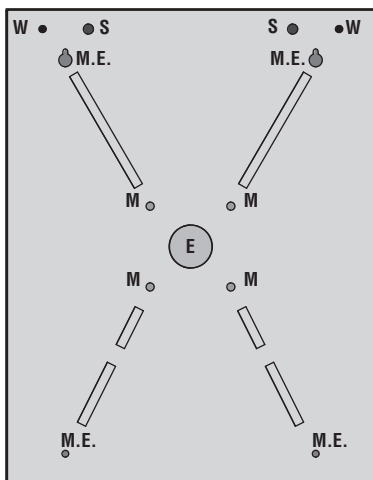
! ATTENTION

Pour prévenir les dommages au CAPXL / CAPXLV causés par l'eau ou l'humidité :

- NE PAS procéder à l'installation sous la pluie. Les composants internes DOIVENT être complètement à l'abri de l'eau et de l'humidité.
- AVANT d'ouvrir le couvercle avant du CAPXL / CAPXLV, éliminer TOUTE eau accumulée sur le dessus du CAPXL / CAPXLV.

Pour prévenir les dommages à TOUT composant interne :

- NE PAS tenter d'enlever les entrées défonçables avec un marteau. Les coups de marteau sur les entrées défonçables pourraient causer un choc aux cartes de circuits imprimés de même que des dommages permanents.



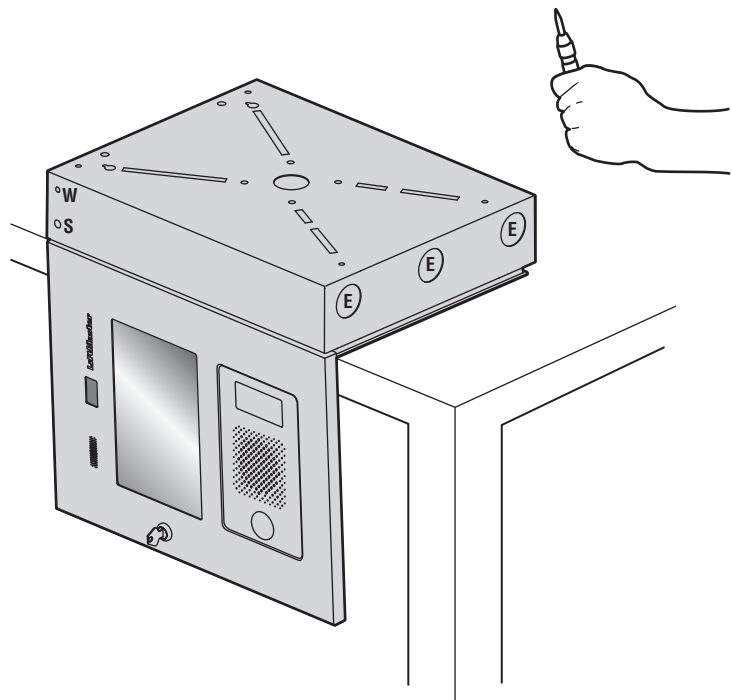
E = câblage électrique

M = Montage sur socle

M.E. = Montage encastré

S = Antenne radio®
Security+ 2.0

W = Antenne® Wi-Fi



2 Monter le CAPXL / CAPXLV

1. Fixer le joint à col de cygne (fourni) si le dispositif est monté sur un col de cygne.
2. Monter le CAPXL / CAPXLV fermement sur une surface plane ou sur un socle avec la quincaillerie appropriée en prenant soin d'acheminer le câblage par les entrées défonçables appropriées. On recommande d'utiliser une quincaillerie en acier inoxydable pour monter le CAPXL / CAPXLV. L'utilisation d'une quincaillerie plaquée zinc ou galvanisée présente un risque de corrosion galvanique.

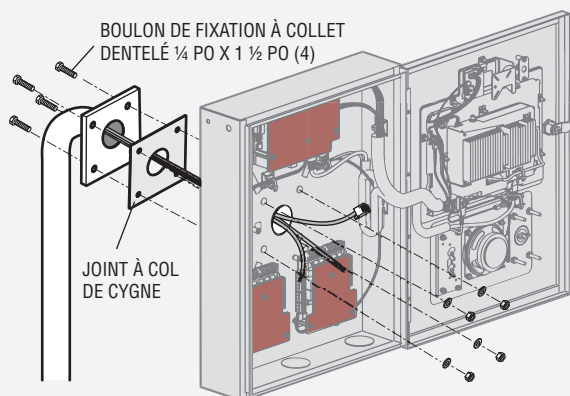
NE

S'assurer que le CAPXL / CAPXLV est bien étanche pour prévenir les dommages causés par l'humidité.

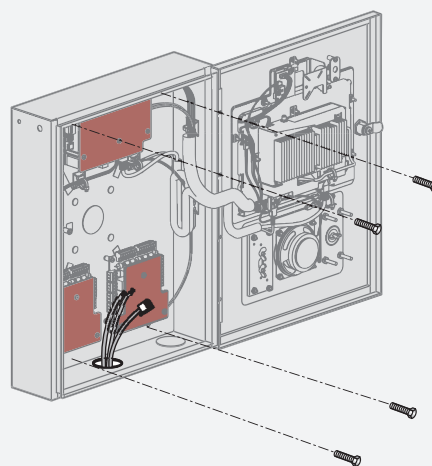
REMARQUES :- S'assurer que le couvercle peut s'ouvrir complètement pour permettre l'accès une fois l'installation complétée.

-Conformité à l'ADA : Lors du montage du CAPXL / CAPXLV à une entrée pour piétons, monter le dessus de l'écran du CAPXL / CAPXLV à une hauteur ne dépassant pas 137 cm (54 po) du sol afin d'assurer la conformité à l'ADA.

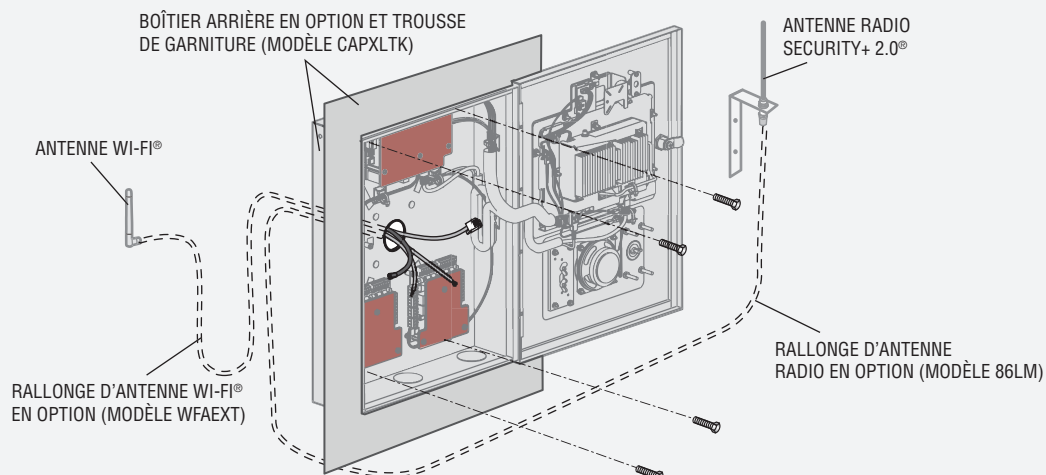
Montage sur socle



Montage en surface



Montage encastré



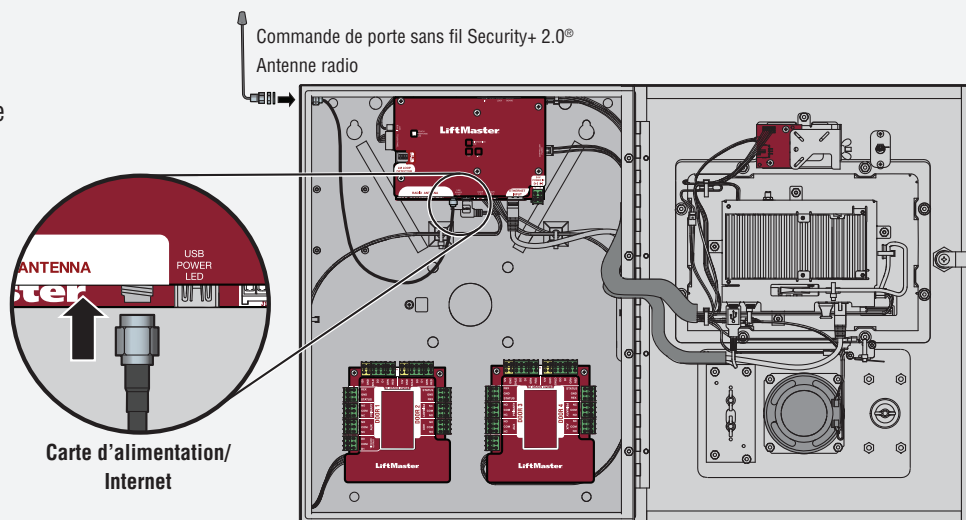
3 Installation des antennes

L'antenne radio Security+ 2.0® et les antennes Wi-Fi® doivent avoir une distance minimale entre elles de 20 cm (8 po). Installer les antennes sur les côtés opposés du CAPXL / CAPXLV. Les trousse de câble d'antenne en option sont offertes pour le montage des antennes à distance (consulter les accessoires).

Commande de porte sans fil Security+ 2.0® L'antenne radio (s'il y a lieu)

Utilisé avec LiftMaster Passport Security+ 2.0® Et la communication sans fil avec les actionneurs de barrière LiftMaster 2016 conformes à l'UL325.

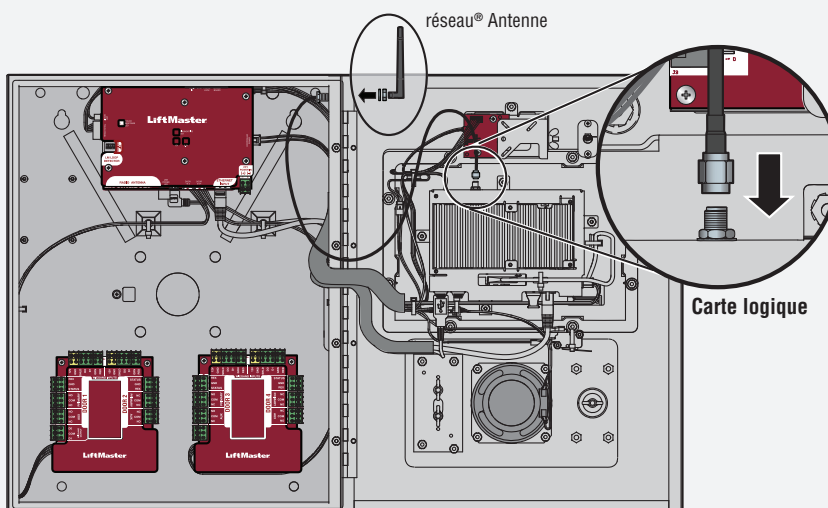
1. Enlever l'entrée défonçable de 3/8 po sur le côté ou à l'arrière du CAPXL / CAPXLV.
2. Fixer l'antenne radio à l'entrée défonçable sur le CAPXL / CAPXLV.
3. Connecter le câble de l'antenne radio à la carte d'alimentation/ internet, comme montré.



réseau® Antenne (s'il y a lieu)

Utilisée pour l'internet Wi-Fi® .

1. Enlever l'entrée défonçable de 1/4 po sur le côté ou à l'arrière du module.
2. Fixer l'antenne Wi-Fi® à l'entrée défonçable désirée sur le CAPXL / CAPXLV avec le joint, la rondelle et l'écrou fournis.
3. Connecter® le câble de l'antenne Wi-Fi à la carte logique, comme montré.



4 Installation de la masse

IMPORTANT :

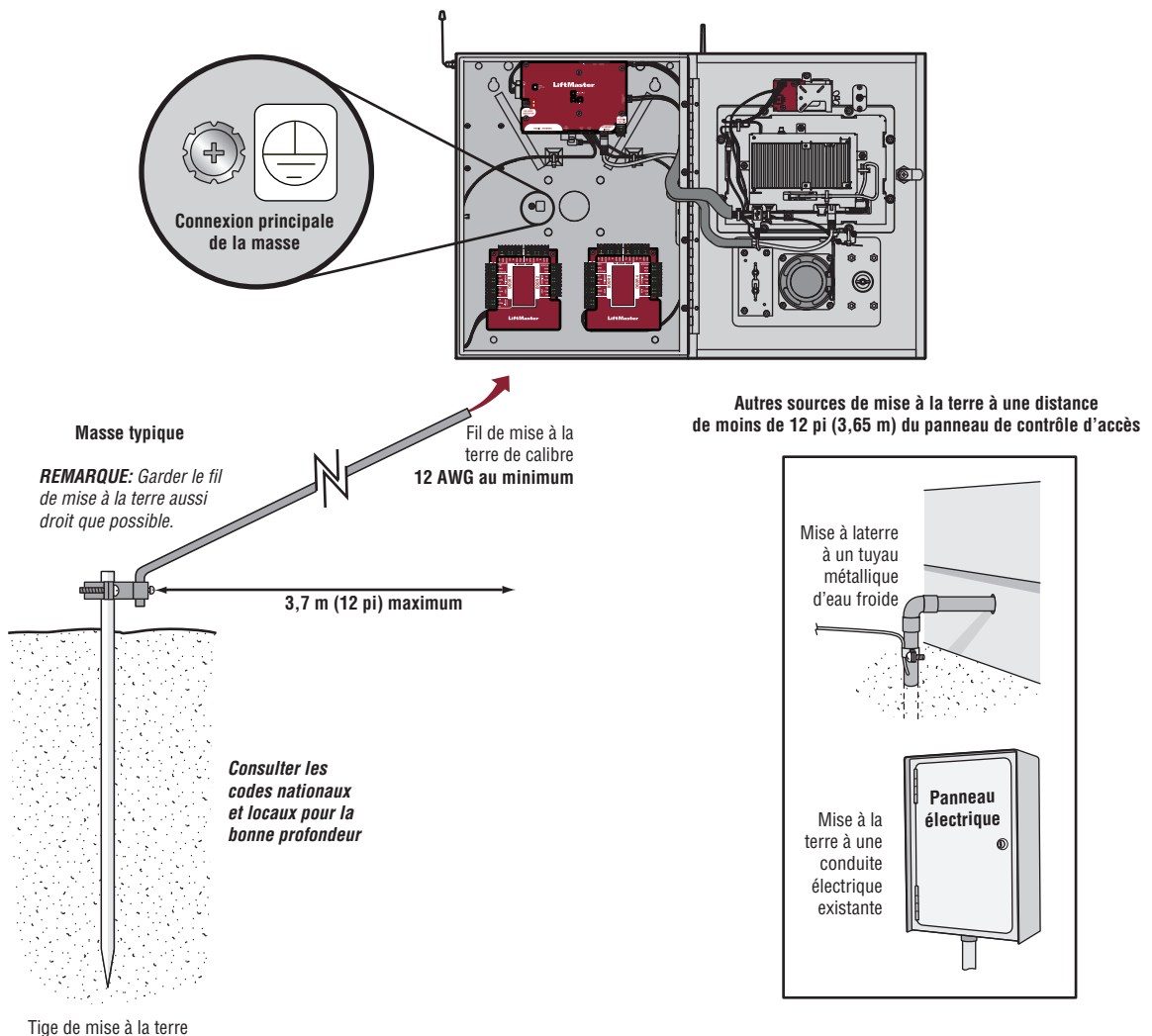
Une tige de mise à la terre est fortement recommandée et ne doit pas être située à plus de 3,7 m (12 pi) du CAPXL / CAPXLV; de plus, elle doit utiliser dans la plupart des cas un fil de calibre 12 au minimum. Le type et la longueur des tiges de mise à la terre varient par région. Contacter la juridiction ayant autorité dans la municipalité dans laquelle vous comptez installer le CAPXL / CAPXLV pour vous assurer d'utiliser les matériaux adéquats et les bonnes directives d'installation de la masse. Une masse adéquate est essentielle pour minimiser le risque de dommages au CAPXL / CAPXLV causés par des courants transitoires.

1. Connecter le fil de mise à la terre (de calibre 12 AWG ou plus) à la principale cosse de mise à la terre du CAPXL / CAPXLV.
2. Acheminer le câblage du CAPXL / CAPXLV à une masse convenable.

REMARQUE : Les connexions blindées sur les cartes ne doivent pas être raccordées à la principale cosse de mise à la terre.

⚠ ATTENTION

Pour ÉVITER d'endommager les conduites de gaz, d'alimentation électrique ou autres conduites de services publics, contacter les compagnies de localisation de services souterrains AVANT d'entreprendre les travaux d'excavation.



5 Raccorder l'alimentation

La prise du CAPXL / CAPXLV DOIT être une prise externe réservée de 120 V c. a. Consulter le tableau ci-dessous pour les distances maximales d'acheminement des fils. Cette prise doit être câblée à son propre disjoncteur de 10 A au minimum.

CARACTÉRISTIQUES TECHNIQUES DU CÂBLAGE	DISTANCE MAXIMALE DU FILAGE
14 AWG	Jusqu'à 91,4 m (300 pi)
16 AWG	Jusqu'à 60,9 m (200 pi)
18 AWG	Jusqu'à 30,4 m (100 pi)

1. Connecter le fil 14-18 AWG aux fils de sortie c. c. secondaires dénudés sur la source d'alimentation. Le noir est de polarité négative et le rouge est de polarité positive.
2. Enlever le bornier d'entrée d'alimentation (PWR INPUT) de la carte d'alimentation/internet.
3. Connecter les fils d'alimentation électrique au bornier PWR INPUT (Entrée d'alimentation) (rouge à +24 V et noir à GND [masse]). Rattacher le bornier à la carte d'alimentation/internet.

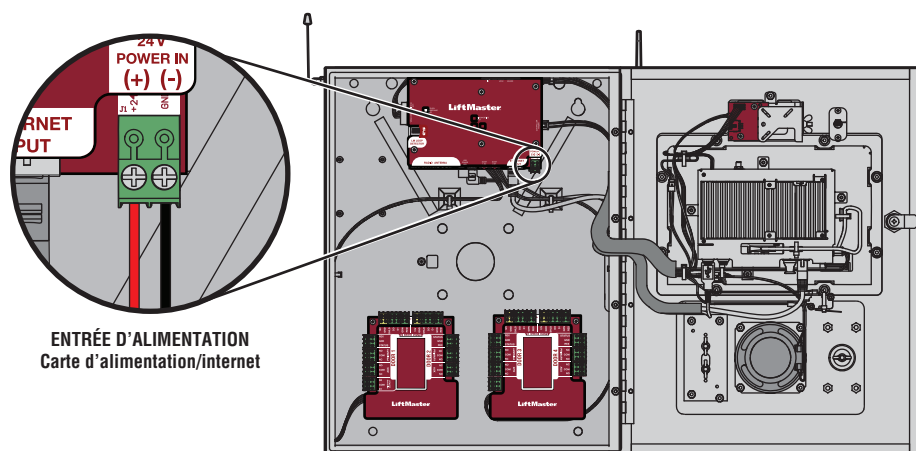
4. Brancher la source d'alimentation dans une prise de 120 V c. a. lorsque toutes les connexions ont été effectuées.

REMARQUE : La DEL verte sur la carte de la porte clignotera et la DEL verte sur la carte d'alimentation/internet s'allumera en continu au moment de la mise sous tension. Le CAPXL / CAPXLV affichera le logo LiftMaster logo pendant le démarrage. Une fois le démarrage effectué, l'interface utilisateur s'affichera.

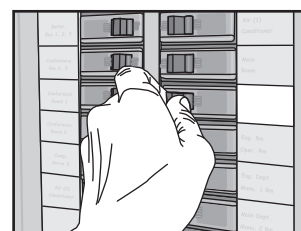
5. Fermer la porte du CAPXL / CAPXLV.

⚠ ATTENTION

- N'utiliser AUCUNE autre source d'alimentation que celle fournie avec votre CAPXL / CAPXLV.
- NE PAS alimenter les gâches et verrous électroniques avec la même source d'alimentation que celle utilisée pour le panneau de contrôle d'accès sous risque de causer des DOMMAGES au CAPXL / CAPXLV. Utiliser UNIQUEMENT une alarme anticambriolage ou un système de contrôle d'accès homologué UL pour alimenter les barres antipanique et les loquets électroniques.
- NE PAS raccorder l'alimentation électrique à une prise commutée ou autrement contrôlée par une prise c.a.
- NE PAS raccorder l'alimentation électrique à une prise de 120 V c.a. jusqu'à ce que TOUT le câblage ait été effectué.
- Installer le dispositif de suppression du bruit transitoire (varistance) fourni avec le CAPXL / CAPXLV pour les dispositifs alimentés par courant alternatif et une diode pour les dispositifs alimentés par courant continu.



ENTRÉE D'ALIMENTATION
Carte d'alimentation/internet



Circuit réservé de 10 A minimum



Prise de
120 V c.a. réservée

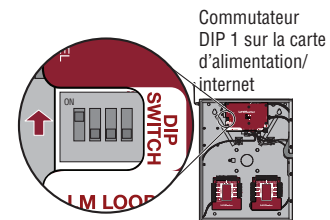
REMARQUE : Si la source d'alimentation est installée dehors, elle doit avoir sa propre enceinte électrique NEMA 4 approuvée et étanche aux intempéries.

Alimentation électrique

1 Se connecter à internet

Le CAPXL / CAPXLV peut être connecté à internet par une connexion câblée ou par le Wi-Fi® (sans fil). Voir la page 10 pour les exigences internet.

S'assurer d'être en mode Admin avant de se connecter à internet. Si vous n'êtes pas en mode Admin, basculer le commutateur DIP no 1 à la position de marche sur la carte d'alimentation/internet, appuyer sur l'onglet Réseau sur l'affichage du CAPXL / CAPXLV et appuyer sur le bouton « Changer les paramètres du réseau ». Observer les instructions en fonction de votre application.

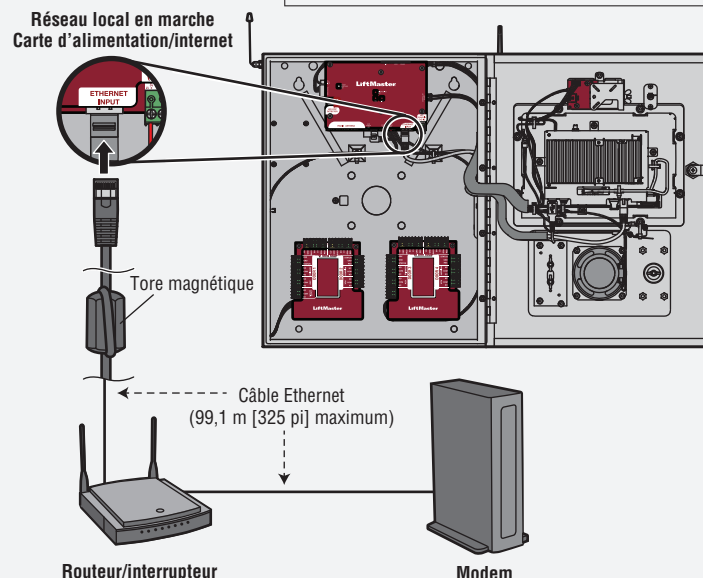
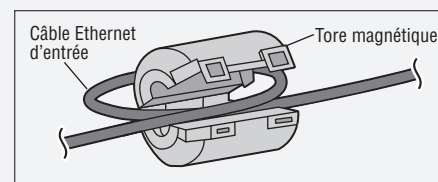


OPTION 1

Connexion câblée

Le port du réseau local (LAN) est une interface Ethernet 10/10/100 dotée d'un connecteur RJ45 pour la connexion du CAPXL / CAPXLV à un concentrateur, un interrupteur ou un routeur afin d'obtenir une connectivité à internet. Utiliser un câble direct (c.-à-d. pas de câble de relais) Cat5, Cat5e ou Cat6 pour raccorder ce port à un concentrateur local, un commutateur ou un routeur. On fait référence à ce type de câble comme un câble Ethernet dans ce manuel.

- Ouvrir le tore magnétique.
- Enrouler le câble Ethernet d'entrée une fois autour de lui-même, en créant une boucle suffisamment large pour couvrir toute la longueur du tore magnétique. Localiser la boucle du câble à proximité de l'entrée défonçable prévue pour les connexions électriques.
- Placer la section bouclée du câble Ethernet par-dessus un côté du tore magnétique ouvert.
- Bien fermer le tore magnétique et brancher le câble d'entrée Ethernet dans la carte d'alimentation/internet.
- Connecter un câble Ethernet à partir du concentrateur, de l'interrupteur ou du routeur au port du réseau local sur la carte d'alimentation/internet. Lorsque la connexion est établie de manière appropriée, la DEL verte et la DEL ambré sur le port Ethernet de la carte logique s'allumeront brièvement (la carte logique est située à l'arrière de l'écran d'affichage du CAPXL / CAPXLV). Si la DEL verte ne s'allume pas, vérifier les connexions sur le CAPXL / CAPXLV et le Concentrateur Ethernet.
- Sur l'écran d'affichage, sélectionner **Wired Network (Réseau câblé)** si la configuration dynamique (DHCP) est désirée ou sélectionner **Manuel Setup (configuration manuelle)** pour une adresse IP statique.



OPTION 2

Connexion à l'aide du Wi-Fi® (sans fil)

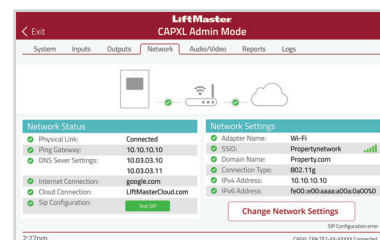
- Sur l'écran d'affichage, sélectionner **le réseau® Wi-Fi**.
- Sélectionner le réseau que le CAPXL / CAPXLV utilisera.
- Saisir le mot de passe sur réseau.
- Sélectionner **Login (Connexion)**.

Considérations de compatibilité supplémentaires :

- Lors de la vérification de la puissance du signal en mode d'administration du CAPXL / CAPXLV, nous recommandons au moins deux barres.
- Si deux barres ne sont pas disponibles, relocaliser le routeur, l'antenne ou se servir de l'accessoire WFAEXT (trousse de rallonge d'antenne Wi-Fi – 4,6 m [15 pi]) pour déplacer l'antenne du CAPXL / CAPXLV plus haut ou à un endroit permettant d'obtenir deux barres ou plus.
- Si un outil ou une appli de puissance du signal Wi-Fi® est utilisé, une connexion ayant une puissance de signal Wi-Fi® d'au moins -65 DBM (les nombres plus proches de zéro indiquent un signal plus puissant) au CAPXL / CAPXLV doit être garantie pour assurer une connexion acceptable au réseau local.
- Les noms de réseau sans fil cachés ne sont pas pris en charge. Le réseau doit être sélectionnable à partir de l'écran d'affichage du CAPXL / CAPXLV.
- Les réseaux Wi-Fi® exigeant une authentification secondaire ne sont pas pris en charge (p. ex. réseaux Wi-Fi® d'hôtels et d'aéroports).

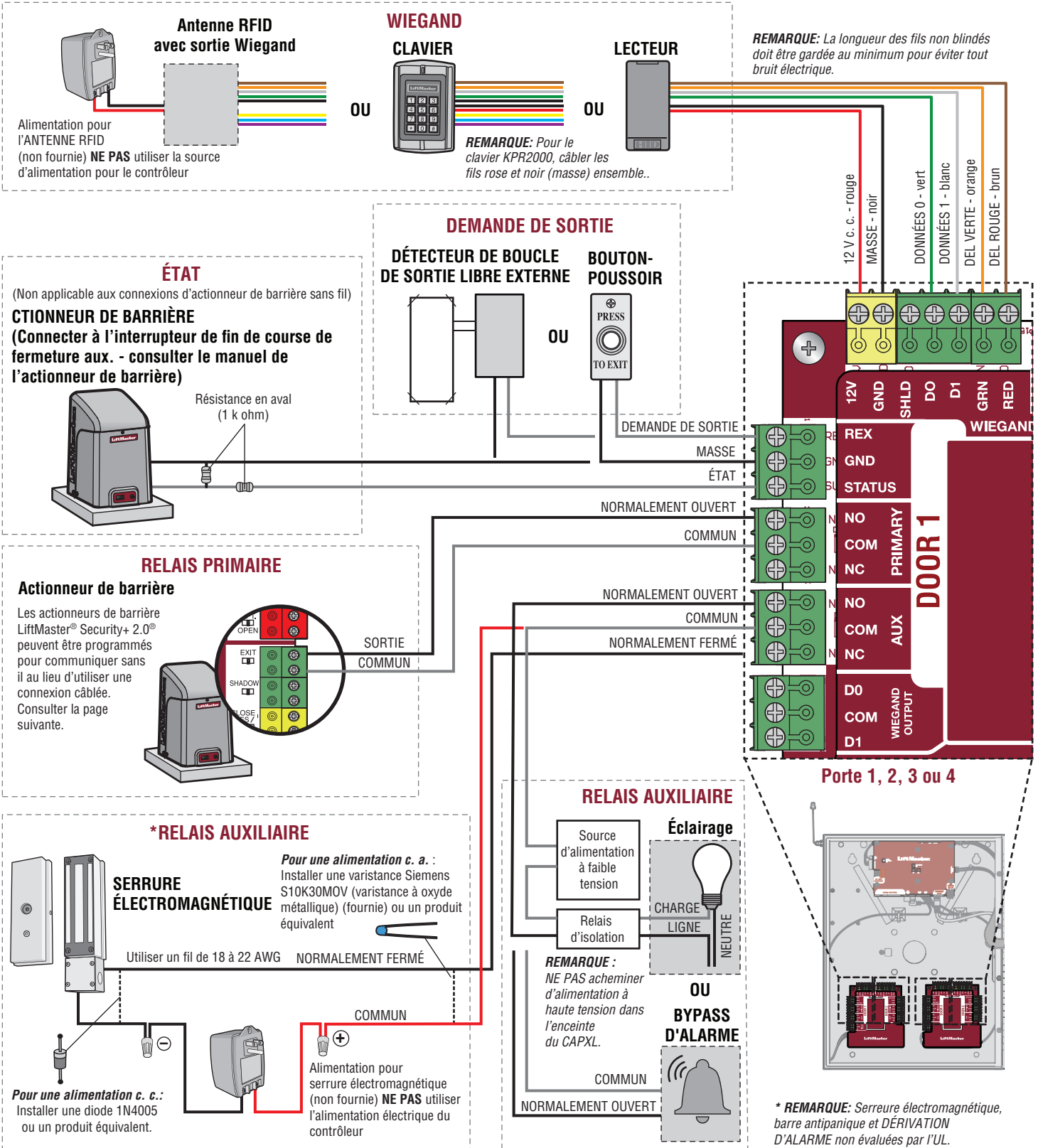
2 Valider les réglages

Sur l'affichage, sélectionner chaque onglet en mode Admin pour valider les réglages (réseau, entrées, sorties, etc.) Après avoir validé les réglages, quitter le mode Admin.



Accès à la barrière (câblé)

Déconnecter l'alimentation AVANT d'effectuer toute connexion électrique. Un exemple de configuration du câblage est fourni ci-dessous pour l'accès à la barrière. L'accès à la barrière peut être câblé à la porte 1, 2, 3 ou 4 sur les cartes de porte. LiftMaster® Commande de porte sans fil Security+ 2.0® Peuvent aussi être programmés pour communiquer sans fil au lieu d'une connexion câblée (voir la page suivante).

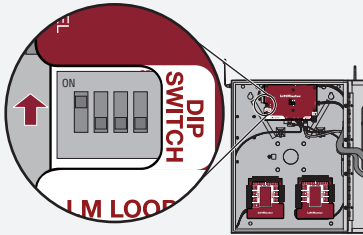


Accès à la barrière (sans fil)

Le CAPXL / CAPXLV peut communiquer sans fil avec les actionneurs de barrière LiftMaster® UL325 pour envoyer des commandes d'ouverture, surveiller la position de la barrière et envoyer des avis par courriel si une erreur se produit dans l'actionneur (les avis par courriel sont configurés dans myQ® Business™). Jusqu'à 8 actionneurs de barrière peuvent être jumelés au CAPXL / CAPXLV - un pour chaque relais primaire et auxiliaire. Dans le cas de barrières à deux vantaux, programmer le CAPXL / CAPXLV à l'actionneur primaire.

1 Entrée dans le mode de programmation

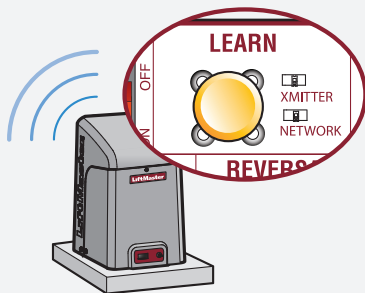
Basculer le commutateur DIP no 1 à la position ON pour passer en mode Admin.



REMARQUE : Pour les nouvelles installations, appuyer sur le bouton d'ouverture de session sans saisir l'information dans les champs Nom d'utilisation admin et Mot de passe admin.

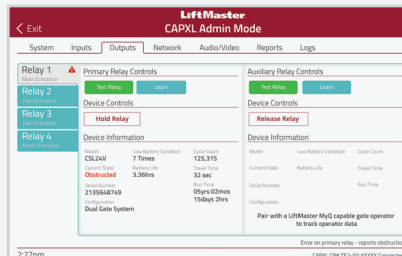
4 Appuyer une fois de plus sur le bouton d'apprentissage de l'actionneur de barrière

Enfoncer et relâcher le bouton LEARN (apprentissage) une fois de plus sur l'actionneur primaire. La DEL jaune NETWORK (réseau) s'allume.



2 Sélectionner Sorties et Relais (Outputs and Relay)

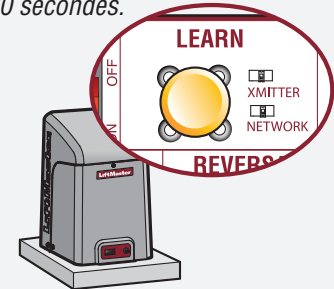
Sélectionner l'onglet **Sorties (Outputs)**. Sélectionner ensuite le relais désiré du côté gauche (1 à 4).



3 Appuyez sur bouton d'apprentissage de l'actionneur de barrière

Enfoncer et relâcher le bouton LEARN (apprentissage) sur l'actionneur primaire. La DEL verte XMITTER (émetteur) s'allume.

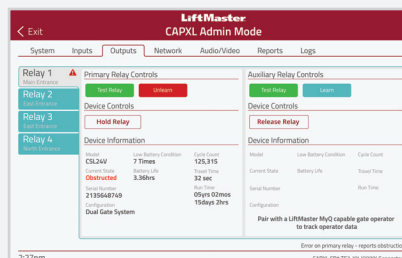
REMARQUE : L'actionneur quittera le mode de programmation après 180 secondes.



5 Sélectionner ELARN (Apprentissage) sur l'écran d'affichage

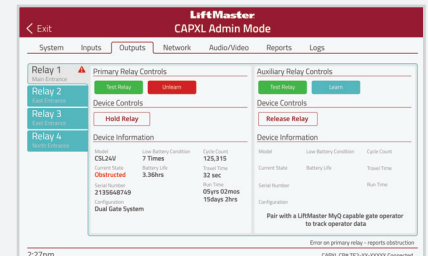
Sélectionner le bouton d'apprentissage sur l'écran d'affichage et le bouton passe du bleu au rouge. L'actionneur de barrière et le CAPXL / CAPXLV émettront un seul bip, et la DEL RÉSEAU sur l'actionneur de barrière s'éteindra pour indiquer que la programmation a réussi.

REMARQUE : 4 bips/clignotements indiquent que la programmation n'est pas effectuée pour l'actionneur primaire. Retenter la programmation à partir de l'autre actionneur.



6 VALIDATION

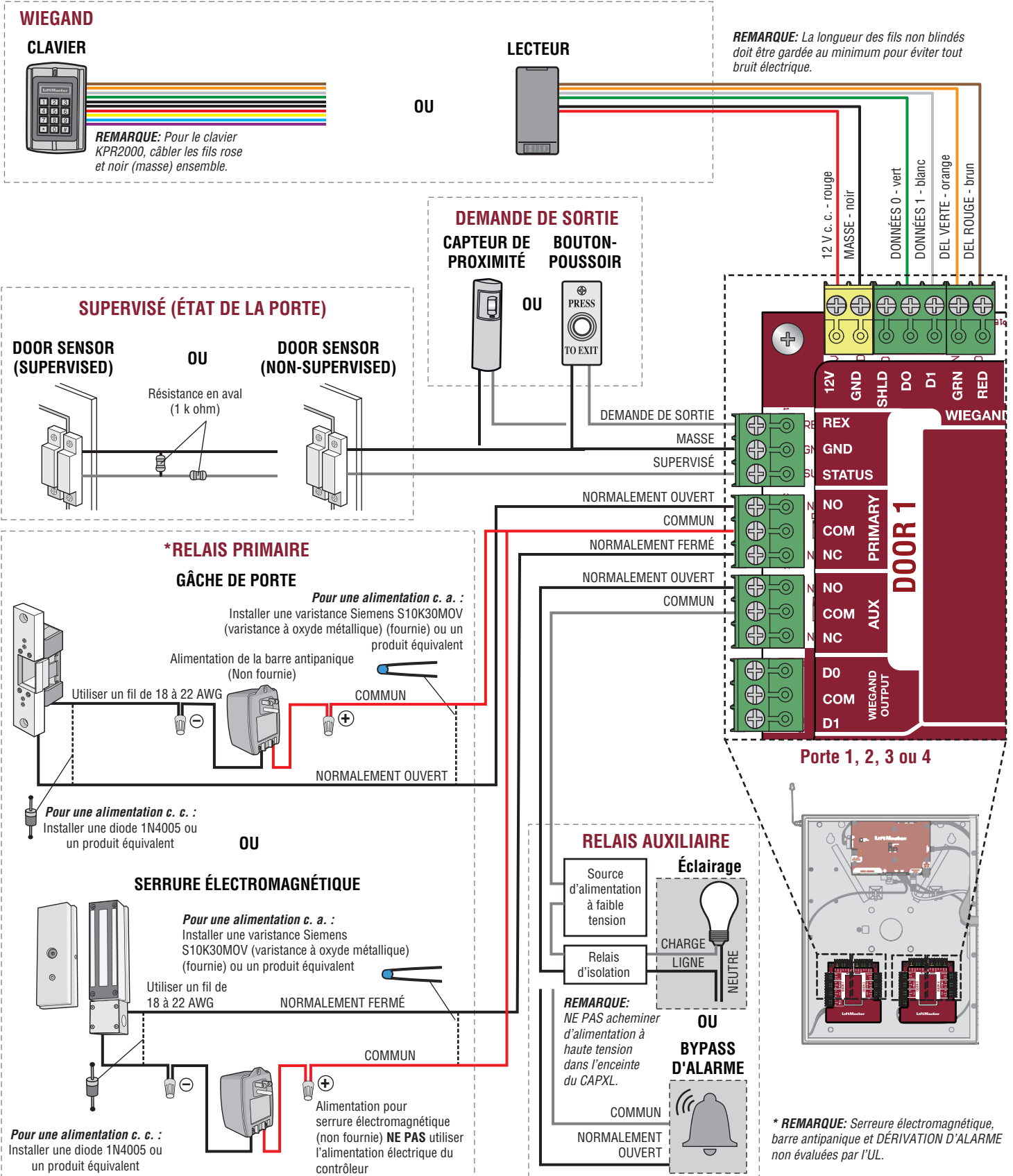
Valider la fonctionnalité en sélectionnant **Test Relay (Tester le relais)** sur l'écran d'affichage du CAPXL / CAPXLV.



Aller à myQBusiness.com pour plus d'information sur la façon de configurer les portes pour une mise en lien sans fil.

Accès à la porte

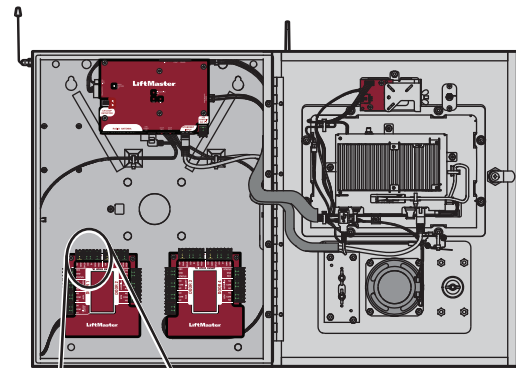
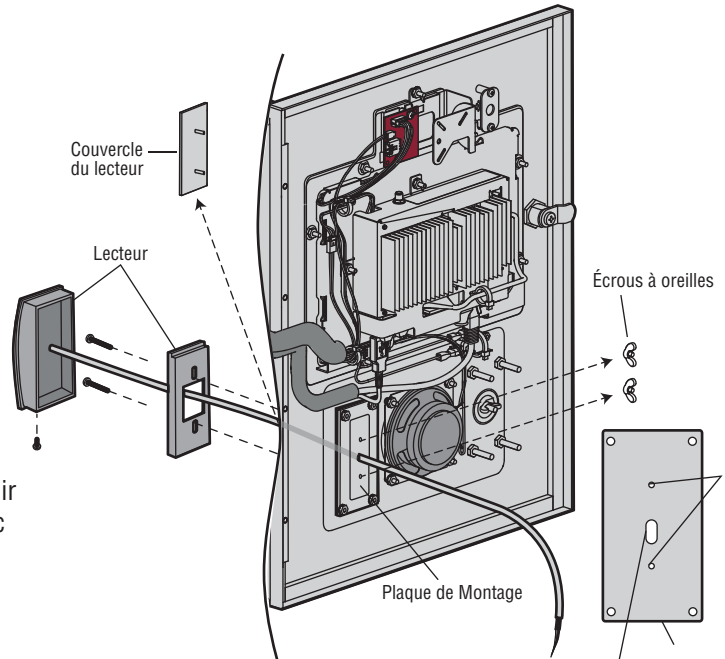
Déconnecter l'alimentation AVANT d'effectuer toute connexion électrique. Un exemple de configuration du câblage est fourni ci-dessous pour l'accès à la porte. L'accès à la porte peut être câblé à la porte 1, 2, 3 ou 4 sur les cartes de porte.



Lecteur de carte

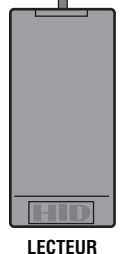
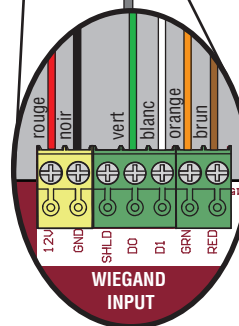
Le CAPXL / CAPXLV est conçu spécialement pour le lecteur LMMC-MINI à monter sur la plaque avant.

1. Déconnecter l'alimentation du CAPXL / CAPXLV.
2. Enlever et jeter les écrous à oreilles et le couvercle du lecteur du CAPXL / CAPXLV.
3. Installer le lecteur et le fixer à l'aide des vis.
4. Appliquer de la silicone autour de l'orifice du câble.
5. Le lecteur peut être câblé à n'importe laquelle des 4 entrées Wiegand sur les cartes logiques de porte. Isoler tous les fils inutilisés du CAPXL / CAPXLV afin de prévenir un court-circuit. (Consulter les instructions fournies avec votre lecteur pour plus d'information.)
6. Reconnecter l'alimentation au CAPXL / CAPXLV.
7. Consulter myQ® Business™ pour la programmation.



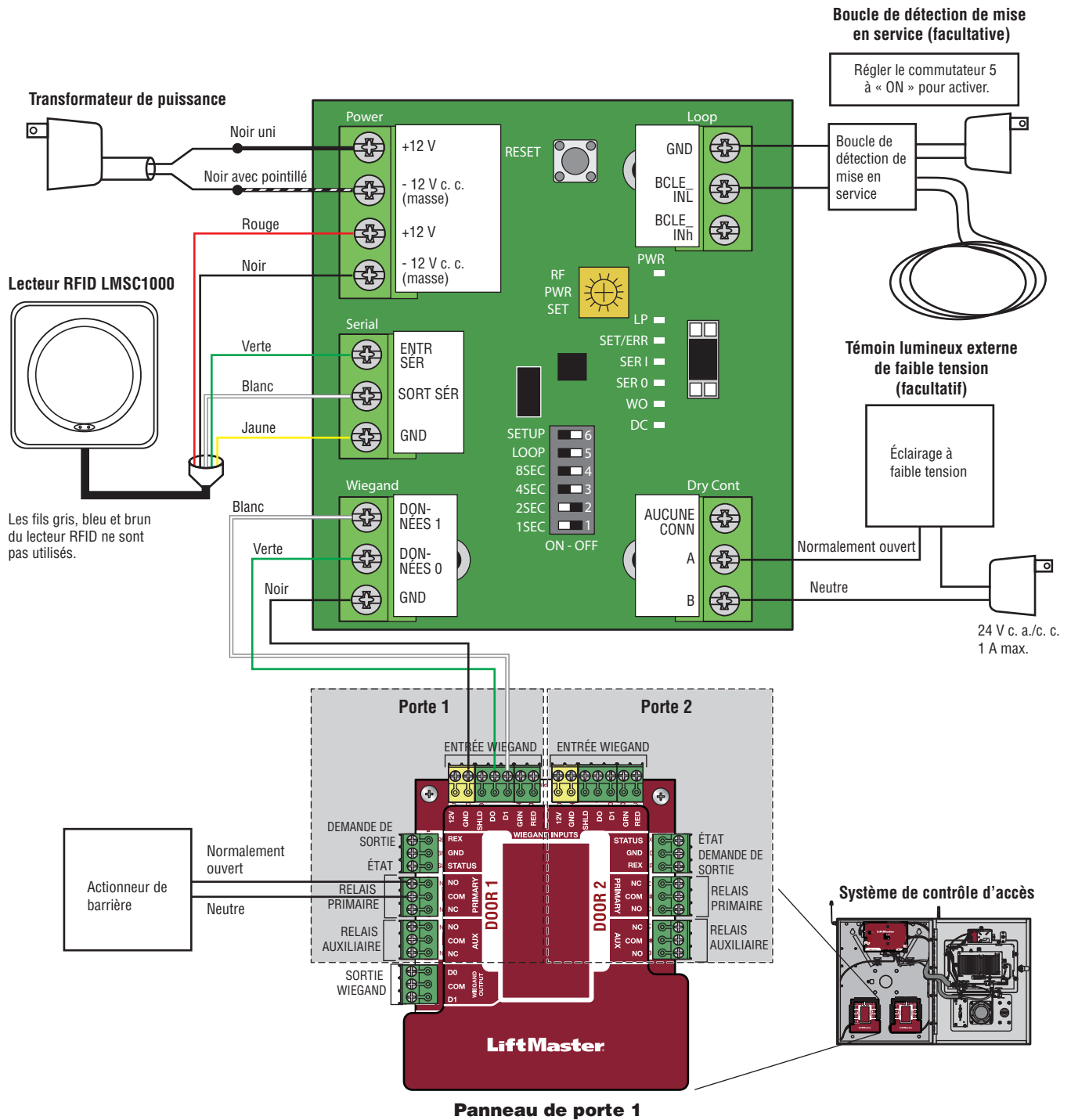
Utiliser un fil de 18 à 22 AWG

Le lecteur est câblé à l'entrée Wiegand.
REMARQUE: La longueur des fils non blindés du lecteur doit être gardée au minimum pour éviter tout bruit électrique.



LECTEUR

Schéma de câblage du lecteur RFID LMSC1000 de LiftMaster



Sortie Wiegand

Déconnecter l'alimentation AVANT d'effectuer toute connexion électrique. Le CAPXL / CAPXLV offre une sortie Wiegand capable d'une transmission de 26 bits des données suivantes :

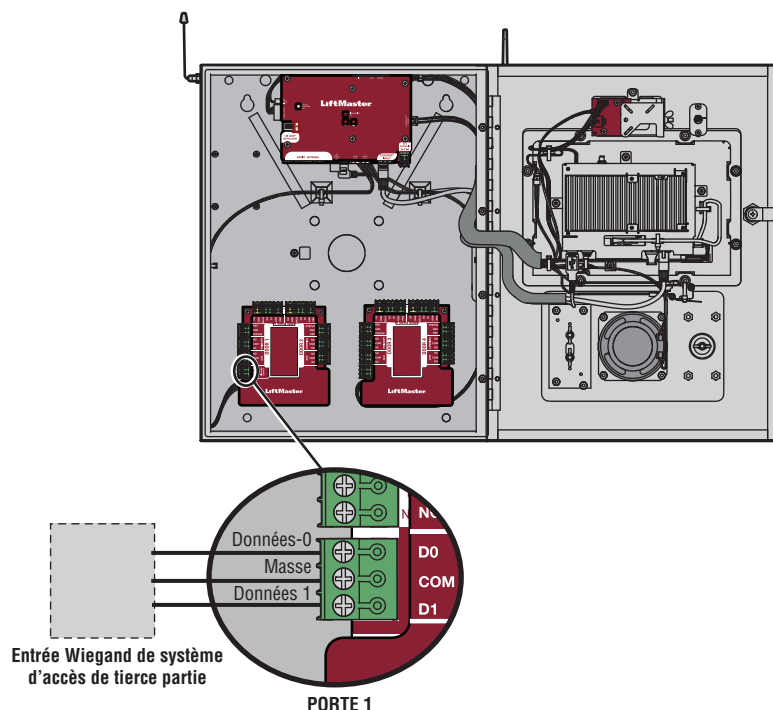
- Appel réussi avec accès accordé par le résident. Le CAPXL / CAPXLV fournira un code® d'installation myQ Business™ précisé suivi du code de répertoire du résident ayant accordé l'accès.

et/ou

- Accès réussi par code d'entrée. Le CAPXL / CAPXLV fournira un code® d'installation myQ Business™ précisé suivi du code d'entrée réussi.

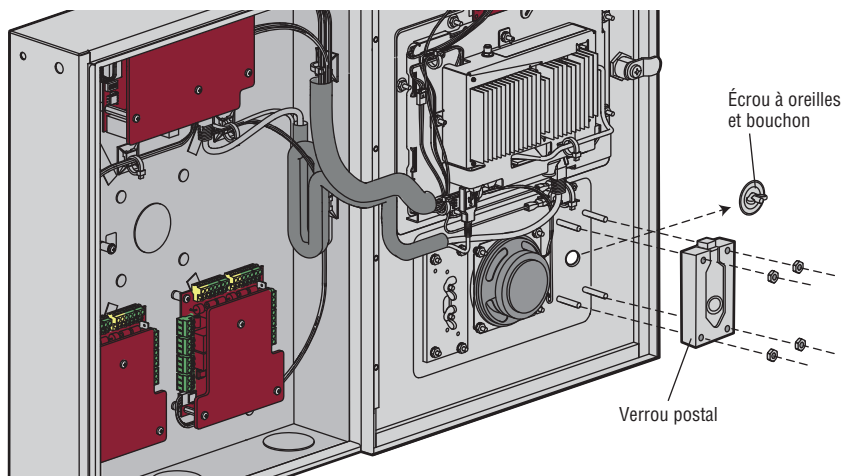
ET/OU

- Accès réussi avec identifiant Wiegand. Le CAPXL / CAPXLV transmet le code à identifiant et l'ID de l'installation.



Verrou postal

1. Enlever l'écrou à oreilles et le bouchon. Jeter l'écrou à oreilles et le bouchon.
2. Enlever les 4 écrous de montage des goujons.
3. Installer la serrure pour service postal avec les 4 écrous de l'étape 3.
4. Couper le serre-fils installé en usine de l'interrupteur de serrure pour service des postes.
5. L'interrupteur de serrure pour service des postes est câblé en usine.



Mise à niveau du CAPXL avec la CAPXLCAM

REMARQUE : La CAPXLCAM est la seule caméra USB prise en charge par les fonctions vidéo du CAPXL et de myQ® Business™. La CAPXLCAM est la seule caméra évaluée par l'UL pour utilisation avec le CAPXL.

AVANT D'INSTALLER LA CAMÉRA

1. **Prendre note de tous les paramètres de connectivité internet avant toute mise à jour logicielle.**
Lors de la mise à jour logicielle, les paramètres internet seront supprimés. Aller à l'écran de connexion du CAPXL en mode Admin et noter ou prendre une photo des paramètres.
2. Vérifier que le CAPXL exécute la version 2.0 ou supérieure du logiciel. Avertissement : Le processus de mise à niveau du CAPXL exige un redémarrage et le dispositif pourrait ne pas être fonctionnel pendant 30 minutes pendant que la mise à niveau est réalisée. Vérifier que les barrières/portes sont ouvertes ou que les résidents ont d'autres moyens d'entrer dans le complexe résidentiel pendant cette brève période avant d'appuyer sur le bouton « Upgrade » dans myQ Business™. Il faudra peut-être recourir au service d'un technicien pour assurer un bon fonctionnement et une circulation fluide des résidents.
3. Se connecter à myQ®Business™ pour mettre à jour le CAPXL à la version logicielle la plus récente. Couper l'alimentation en déconnectant l'entrée d'alimentation sur la carte I/O.
4. Retirer le capuchon protecteur de la lentille de la caméra.

REMARQUE : Le capuchon protection de la lentille de la caméra doit être retiré avant de la monter dans le CAPXL.

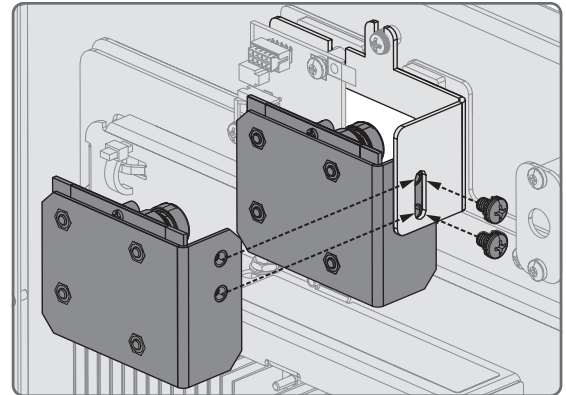
Installation

1. Ouvrir le CAPXL et retirer le support noir existant de la caméra (au centre supérieur) en desserrant et en enlevant l'écrou à oreilles.
2. S'assurer que la fenêtre de la caméra du CAPXL est propre et libre de toute obstruction. On recommande de nettoyer la fenêtre de la caméra avec un chiffon spécialement prévu pour nettoyer la lentille d'une caméra.
3. Retirer tous les articles de la boîte d'expédition et vérifier que rien ne manque : assemblage de la caméra, support de caméra, câble USB et sac de quincaillerie de montage.
4. Utiliser la quincaillerie de montage pour fixer le nouveau support avec la caméra au CAPXL. Serrer fermement.
5. Utiliser des pinces pour débrancher le bouchon fantôme supérieur droit de la prise USB sur la carte logique (contrôleur). (Figure 1.A)
6. Le port USB no 3 doit être utilisé pour connecter la caméra. L'extrémité micro USB du câble USB se branche dans la caméra et l'extrémité USB standard du câble se connecte spécifiquement au port USB no 3, (le port supérieur droit sur le contrôleur). (Voir la Figure 1.B)
7. Acheminer et fixer le câble USB avec les attaches autobloquantes. (Figure 2)
8. Mettre le CAPXL sous tension.
9. Mettre le CAPXL en mode d'administration en utilisant le commutateur DIP no 1. Sélectionner l'onglet « Audio / Vidéo » et confirmer que la transmission vidéo apparaît et que l'angle et l'orientation sont corrects. (Figure 3)
10. Consulter le Guide de démarrage rapide myQ® Business™ et la section d'aide du site Web myQ® Business™ pour des tutoriels vidéo et une assistance supplémentaire avec la configuration des fonctions de la caméra. Des fonctions comme l'enregistrement des événements, la fonction de vue des invités et plus encore sont réglés à partir du compte myQ® Business™.

Accéder au compte myQ® Business™ à :
<https://www.myQBusiness.com>

Aide et tutoriels vidéo myQ® Business™ :
<https://www.myQBusiness.com/Help>

REMARQUE : Les options comme la diffusion vidéo en continu dans myQ® Business™ sont incluses avec l'abonnement de contrôle d'accès.



Outils recommandés

- Logiciel de mise à l'essai du réseau
- Appli d'analyse Wi-Fi
- Wi-Fi / point d'accès sans fil Wi-Fi
- Tournevis à tête cruciforme
- Testeur de câblage de réseau local
- Pinces

Contenu de la boîte

- Assemblage de la caméra
- Support de la caméra
- Câble USB
- Sac de visserie de montage (2x vis)

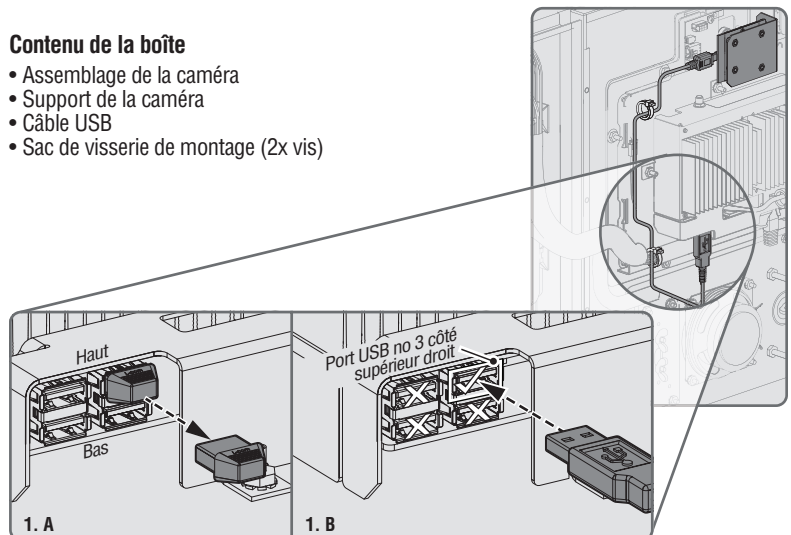


Figure 1. Dépose du bouchon fantôme USB et connexion au port USB no 3 sur le côté supérieur droit du contrôleur.

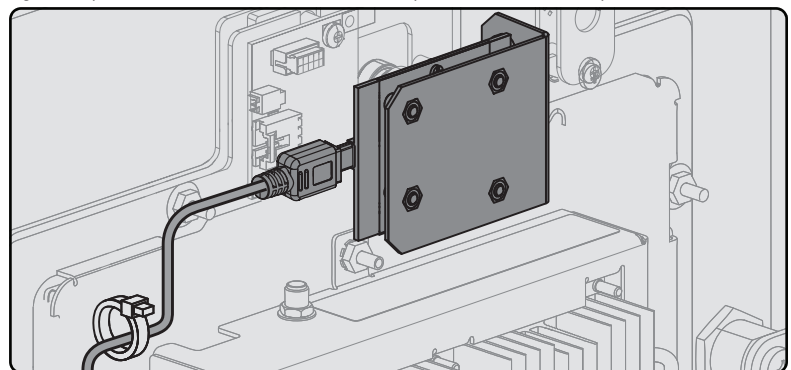


Figure 2. Acheminement du câble USB

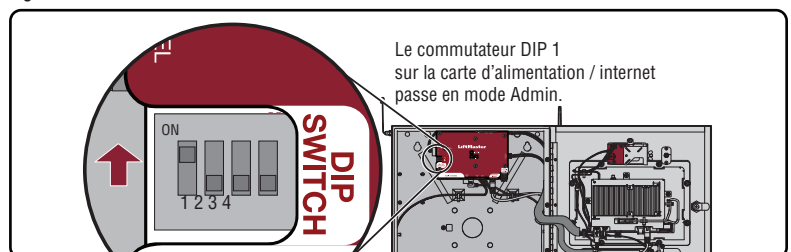


Figure 3. Mode Admin

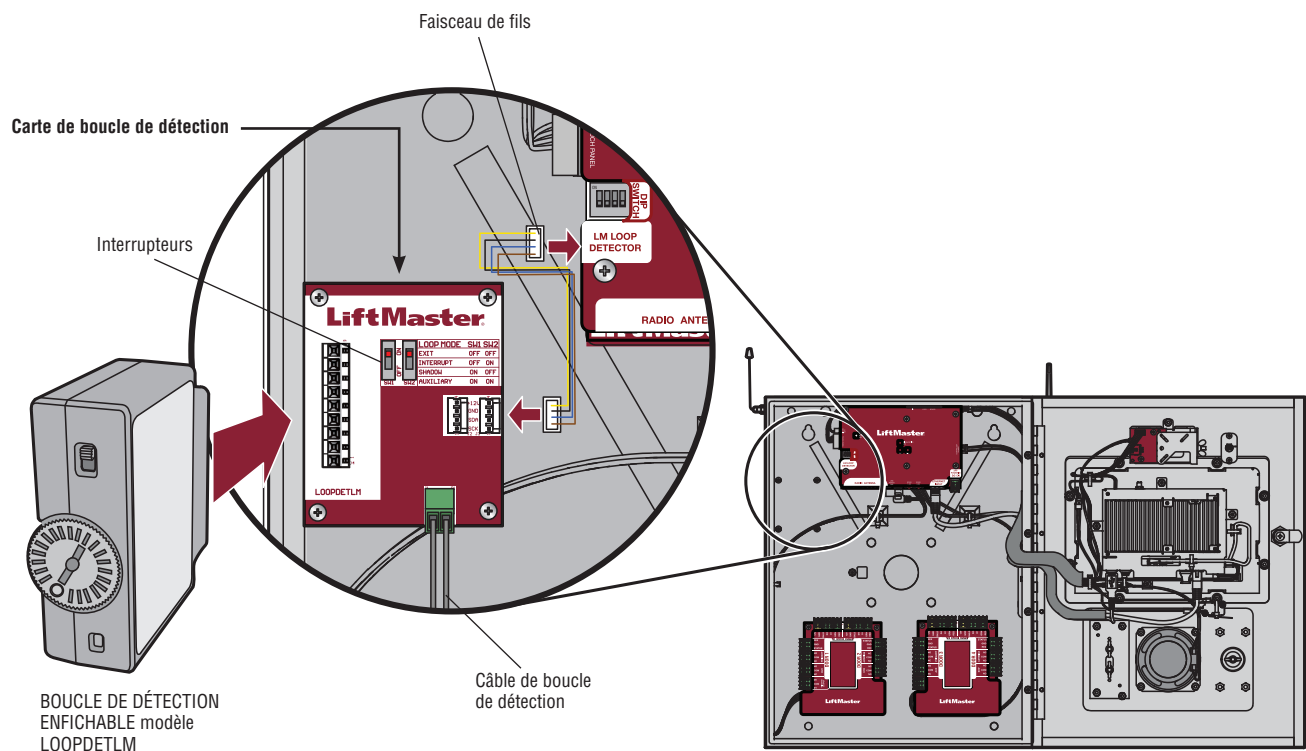
REMARQUE : Consulter la juridiction particulière pour déterminer si une signalisation particulière est exigée pour l'utilisation et la surveillance vidéo.

Fonction d'appel automatique

Déconnecter l'alimentation AVANT d'effectuer toute connexion électrique. La carte de boucle de détection (modèle LPEXP, non fournie) combinée à la LOOPDETLM, fournit une fonctionnalité d'appel automatique accessible par le réglage de l'interrupteur auxiliaire. La carte LPEXP et la boucle LOOPDETLM peuvent être achetées ensemble comme trousse (LPEXPKIT). Lorsque la boucle détecte un véhicule, le numéro programmé dans le champ « Appel rapide » (Quick call) dans myQ® Business™ est automatiquement composé.

1. Fixer la carte de boucle de détection (modèle LPEXP) aux douilles autosertissables dans le CAPXL / CAPXLV avec les vis fournies.
2. Connecter le faisceau de câbles de la carte de boucle de détection à la carte d'alimentation/internet.
3. Connecter les fils de boucle à l'entrée sur la carte de boucle de détection.
4. Brancher la boucle de détection (modèle LOOPDETLM).
5. Régler les deux interrupteurs sur la carte de boucle de détection à ON (réglage auxiliaire).
6. Activer l'entrée de la boucle dans l'écran Admin principal du CAPXL / CAPXLV (basculer le commutateur DIP no 1).

MODE DE BOUCLE	SW1	SW2
SORTIE	Non pris en charge	
INTERRUPTION	Non pris en charge	
PASSAGE	Non pris en charge	
AUXILIAIRE	ON (MARCHE)	ON (MARCHE)



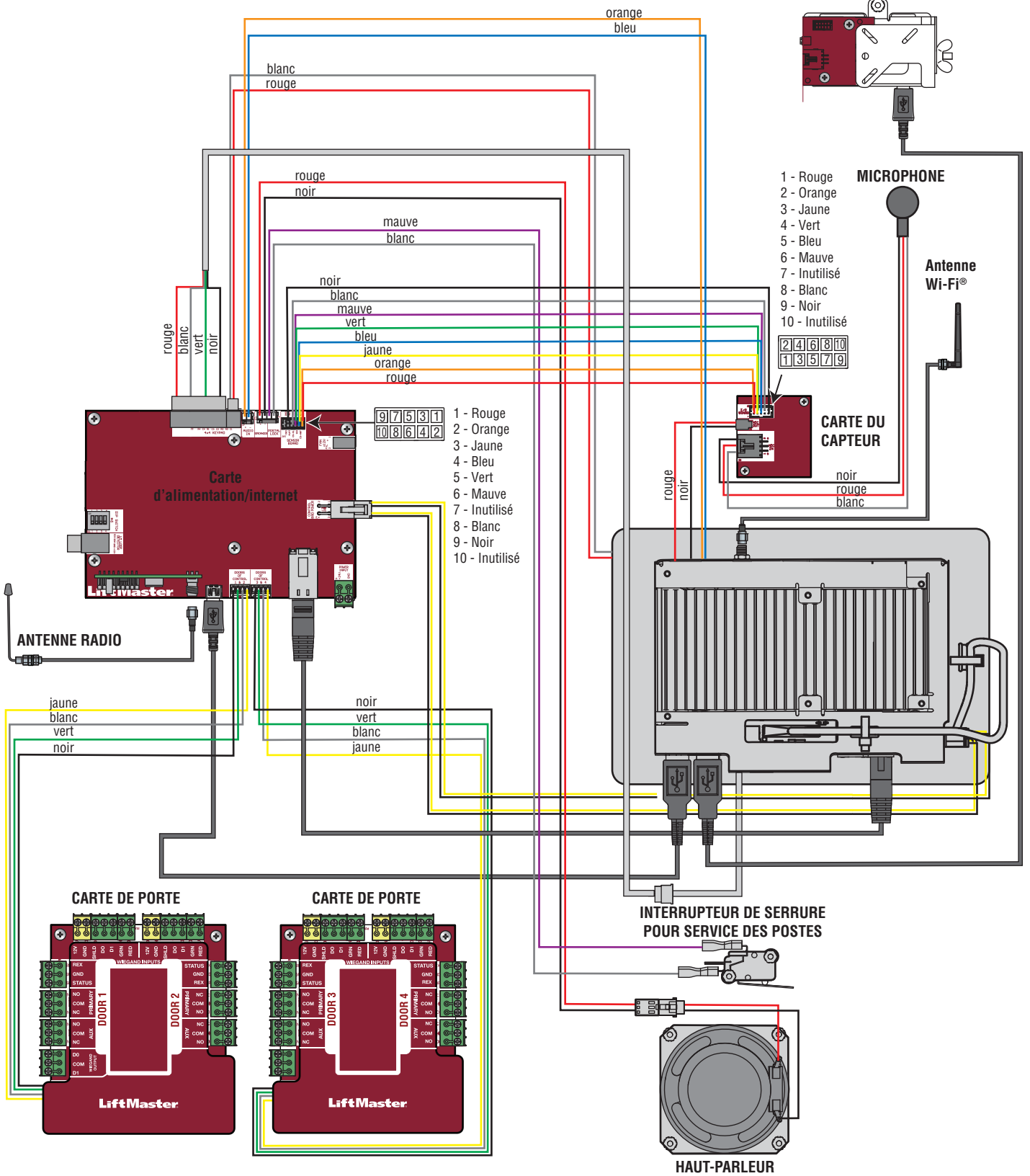
REMARQUE : Carte de boucle de détection non évaluée par l'UL.

myQ® business™ Pour la programmation myQ® Business,™ aller à www.myqbusiness.com.

Schéma de câblage

ATTENTION

Non responsable des conflits entre l'information indiquée dans le schéma de câblage et les exigences des codes du bâtiment de votre région. Cette information est fournie **UNIQUEMENT** à titre de suggestion. Consulter les codes de votre région **AVANT** l'installation.



Pièces de réparation

ARTICLE	NUMÉRO DE PIÈCE
Ensemble de caméra et serrure	K002B0799-3
Alimentation électrique	K002A1978
Wi-Fi® Trousse d'antenne	K76-38957
Trousse d'antenne radio	K76-38958
Trousse de plaque avant	K41-0104-000
Carte de capteur	K001D8592
Fenêtre et joint de caméra	K41-0110-000
Affichage de l'écran tactile	K41-0103-000
Carte logique	K41-0112-000
Carte d'alimentation/internet	K001D8439
Carte de porte et couvercles	K001D8478
Trousse de microphone	041B0692
Plaque de montage du lecteur	K012B1067
Interrupteur de serrure pour service des postes	K041B0996-1
Boîtier arrière	K75-38330
Trousse de câblage	K94-38407
Haut-parleur	K002B1910
Assemblage de plaque avant et d'affichage	K41-0117-000

Accessoires

ARTICLE	NUMÉRO DE PIÈCE
Trousse de boîtier arrière et garniture	CAPXLTk
Lecteur multiclasse SE RP10 Mini Mullion	LMMC-MINI
Rallonge d'antenne radio (4,5 m ou 15 pi)	86LM
Wi-Fi® Rallonge d'antenne (4,5 m ou 15 pi)	WFAEXT
Lecteur RFID de longue portée UHF	LMSC1000
Clavier Wiegand/lecteur de proximité	KPR2000*
Carte d'entrée de boucle de détection CAPXL	LPEXP
Modem cellulaire 4G/LTE	CAPCELL
Portail d'accès connecté pour 2 portes	CAP2D
Tous les ® les actionneurs de barrière ®Liftmaster myQ/UL325 compatibles	
Télécommande MAX à trois boutons pour pare-soleil Passport	PPV3M
Mini-télécommande Control MAX à trois boutons Passport	PPK3M
Mini-télécommande de proximité Control MAX à trois boutons Passport	PPK3PHM
Télécommande à un bouton pour pare-soleil Passport Lite	PPLV1-X**
Télécommande à un bouton de porte-clés Passport Lite	PPLK1-X**
Mini-télécommande de proximité à 1 bouton Passport Lite	PPLK1PH-X**
Nouvelle trousse de caméra USB	CAPXLCAM
Lecteur RFID de longue portée	LMSC1000
Étiquette universelle RFID (pare-brise/phare)	LMUNTG
Étiquette à fil RFID du véhicule	LMHNTG

* KPR2000 vérifié pour utilisation supplémentaire uniquement

** Offert en paquets de 10 et 100, remplacer X par 10 ou 100

REMARQUE : Une liste courant des lecteurs et claviers compatibles est maintenue par LiftMaster.com. Si le modèle de votre lecteur ou clavier particulier ne figure pas sur le site Web de LiftMaster, communiquer avec l'assistance technique LiftMaster pour déterminer la compatibilité.

Feuille de configuration

Noter l'information sur le dispositif et les paramètres de configuration ci-dessous.

Nom du CAPXL / CAPXLV :

REMARQUE : Tout utilisateur de ce système est soumis aux conditions décrites dans l'accord d'utilisation du produit.

Remarques :

CONFIGURATION DU DISPOSITIF :

PORTE 1	NOM DE LA PORTE/BARRIÈRE :		
ENTRÉES	WIEGAND	REX	ÉTAT
			AVAL (O/N)
SORTIES	RELAIS PRIMAIRE		RELAIS AUXILIAIRE
	N.O. (normalement ouvert)	N.F.	N.O. N.F.
Remarques :			

PORTE 2	NOM DE LA PORTE/BARRIÈRE :		
ENTRÉES	WIEGAND	REX	ÉTAT
			AVAL (O/N)
SORTIES	RELAIS PRIMAIRE		RELAIS AUXILIAIRE
	N.O. (normalement ouvert)	N.F.	N.O. N.F.
Remarques :			

PORTE 3	NOM DE LA PORTE/BARRIÈRE :		
ENTRÉES	WIEGAND	REX	ÉTAT
			AVAL (O/N)
SORTIES	RELAIS PRIMAIRE		RELAIS AUXILIAIRE
	N.O. (normalement ouvert)	N.F.	N.O. N.F.
Remarques :			

PORTE 4	NOM DE LA PORTE/BARRIÈRE :		
ENTRÉES	WIEGAND	REX	ÉTAT
			AVAL (O/N)
SORTIES	RELAIS PRIMAIRE		RELAIS AUXILIAIRE
	N.O. (normalement ouvert)	N.F.	N.O. N.F.
Remarques :			

Avis de non-responsabilité

Conformité à la Federal Communications Commission (FCC)

Cet appareil a été testé et déclaré conforme aux limites d'un dispositif numérique de Classe B, conformément à la partie 15 du règlement de la FCC et de la norme NMB d'Innovation, Sciences et Développement économique Canada. Ces limites sont prévues pour fournir une protection raisonnable contre les interférences nuisibles avec une installation résidentielle ou lorsque l'équipement est utilisé dans un environnement commercial. Cet équipement génère, utilise et peut émettre des fréquences radio et, s'il n'est pas installé et utilisé conformément aux instructions, peut causer un brouillage nuisible aux communications radio. Cependant, rien ne garantit l'absence de brouillage dans une installation particulière. Si cet équipement cause un brouillage nuisible à la réception radio ou télévisée, ce qui peut être déterminé en éteignant et en rallumant l'équipement, l'utilisateur est invité à tenter de corriger le brouillage en prenant l'une des mesures suivantes :

- Augmenter la distance entre l'équipement et le récepteur.
- Connecter l'équipement à un circuit autre que celui auquel le récepteur est connecté.
- Consulter le concessionnaire pour obtenir de l'aide.

Canada - Conformité à Underwriters Laboratories

Le CAPXL / CAPXLV doit être installé conformément à la partie 1 du Code canadien de l'électricité.

Déni de responsabilité et restrictions concernant la documentation

L'information contenue dans ce document peut être modifiée sans préavis et ne constitue pas un engagement de la part de LiftMaster. Pour les prix courants les plus récents, aller à Dealer.LiftMaster.com.

Ce document et les données fournies aux présentes ne doivent pas être copiés, utilisés ou divulgués à d'autres personnes à des fins d'approvisionnement ou de fabrication, sauf en cas de permission écrite de la part de LiftMaster. L'information contenue dans ce document ou au sein du produit lui-même est considérée comme la propriété exclusive de LiftMaster. Toute information, dans ce document ou dans le matériel et les produits logiciels eux-mêmes, est protégée par droit d'auteur et/ou d'autres lois des États-Unis sur la propriété intellectuelle.

Endurance de l'unité de contrôle d'accès UL 294 : Niveau 4, sécurité de ligne : Niveau 2, attaque destructrice : Niveau 1, alimentation de secours : Niveau 1

AVIS : Ce dispositif est conforme à la partie 15 du règlement de la FCC et de l'exemption de licence RSS d'Innovation, Sciences et Développement économique Canada. L'utilisation est assujettie aux deux conditions suivantes : (1) ce dispositif ne peut causer de brouillage nuisible, et (2) ce dispositif doit accepter tout brouillage reçu, y compris tout brouillage pouvant causer un fonctionnement indésirable. Tout changement ou modification non expressément approuvés par la partie responsable de la conformité pourrait annuler l'autorité de l'utilisateur d'utiliser l'équipement.

Cet appareil doit être installé de manière à laisser une distance d'au moins 20 cm (8 po) entre celui-ci et l'utilisateur ou toute personne.

Cet appareil a été testé et déclaré conforme aux limites d'un dispositif numérique de Classe B, conformément à la partie 15 du règlement de la FCC et de la norme NMB d'Innovation, Sciences et Développement économique Canada. Ces limites ont pour but de fournir une protection raisonnable contre le brouillage nuisible dans une installation résidentielle. Cet équipement génère, utilise et peut émettre des fréquences radio et, s'il n'est pas installé et utilisé conformément aux instructions, peut causer un brouillage nuisible aux communications radio.

Cependant, rien ne garantit l'absence de brouillage dans une installation particulière. Si cet équipement cause un brouillage nuisible à la réception radio ou de télévision, ce qui peut être déterminé en éteignant l'équipement et en le rallumant, l'utilisateur est invité à tenter de corriger le brouillage par l'un des moyens suivants :

- Réorienter ou relocaliser l'antenne de réception.
- Augmenter la distance entre l'équipement et le récepteur.
- Connecter l'équipement dans une prise de courant sur un circuit différent de celui auquel le récepteur est branché.
- Pour obtenir de l'aide, consulter le détaillant ou un technicien radio chevronné.

AVIS : Lors du montage du CAPXL / CAPXLV à une entrée pour piétons, monter le dessus de l'écran du CAPXL / CAPXLV à une hauteur ne dépassant pas 137 cm (54 po) du sol afin d'assurer la conformité à l'ADA.

REMARQUE : Lors de l'installation du CAPXLV ou de la mise à niveau avec une vidéo caméra, consulter la juridiction locale concernant les exigences particulières comme une signalisation physique obligatoire.

Garantie

LiftMaster garantit à l'acheteur initial de ce produit pour la structure dans laquelle ce produit est originalement installé, que le produit est exempt de tout défaut matériel ou de fabrication pour une période de deux (2) ans à compter de la date d'achat.

Le bon fonctionnement de ce produit dépend de la conformité de l'utilisateur aux instructions relatives à l'installation, au fonctionnement, à l'entretien et aux mises à l'essai. Tout défaut de se conformer strictement à ces instructions annulera la présente garantie limitée dans son intégralité.

Si, au cours de la période de garantie limitée, ce produit semble présenter un défaut couvert par la présente garantie limitée, appeler le 1 800 528 9131 sans frais, avant de démonter le produit. Envoyer ensuite le produit, en port payé et assuré, à notre centre de service pour que la réparation soit couverte par la garantie. Les produits retournés au vendeur pour une réparation couverte sous garantie qui, après réception par le vendeur, sont déclarés défectueux et couverts par la présente garantie limitée, seront remplacés (à la discrétion du vendeur) sans frais et retournés port payé. Les pièces défectueuses seront réparées ou remplacées par des pièces neuves ou réusinées, à la seule discrétion du vendeur.

LA PRÉSENTE GARANTIE LIMITÉE REMPLACE TOUTE AUTRE GARANTIE, EXPRESSE OU IMPLICITE, NOTAMMENT TOUTE GARANTIE IMPLICITE DE QUALITÉ MARCHANDE OU D'ADAPTATION À UN BUT PARTICULIER, OU AUTRE, ET TOUTE AUTRE OBLIGATION OU RESPONSABILITÉ DE LA PART DU VENDEUR. LA PRÉSENTE GARANTIE LIMITÉE NE COUVRE PAS LES DOMMAGES QUI NE SONT PAS DUS À UN DÉFAUT, CEUX CAUSÉS PAR UNE MAUVAISE INSTALLATION, UNE UTILISATION OU UN ENTRETIEN INADÉQUAT (INCLUANT, NOTAMMENT, LES AVARIES DUES À UN MAUVAIS TRAITEMENT, UN USAGE NON APPROPRIÉ, L'ABSENCE D'ENTRETIEN RAISONNABLE ET NÉCESSAIRE, DES RÉPARATIONS NON AUTORISÉES OU TOUTE MODIFICATION À CE PRODUIT), LES FRAIS DE MAIN-D'ŒUVRE POUR LA RÉINSTALLATION D'UNE UNITÉ RÉPARÉE OU REMPLACÉE, OU LE REMPLACEMENT DES BATTERIES.

LE VENDEUR NE SERA EN AUCUN CAS TENU RESPONSABLE DES DOMMAGES-INTÉRÊTS PARTICULIERS OU INDIRECTS RÉSULTANT DE L'UTILISATION OU DE L'INAPTITUDE À UTILISER CE PRODUIT CORRECTEMENT. EN AUCUN CAS, LA RESPONSABILITÉ DU VENDEUR POUR RUPTURE DE GARANTIE, RUPTURE DE CONTRAT, NÉGLIGENCE OU RESPONSABILITÉ ABSOLUE NE DÉPASSERA PAS LE COÛT DU PRODUIT COUVERT AUX PRÉSENTES. NUL N'EST AUTORISÉ À ASSUMER POUR NOUS D'AUTRES RESPONSABILITÉS RELATIVEMENT À LA VENTE DE CE PRODUIT.

Certains États et provinces n'acceptant pas l'exclusion ou les restrictions relatives aux dommages immatériels, accessoires ou dommages-intérêts particuliers, les restrictions ou exclusions figurant dans la présente garantie pourraient ne pas s'appliquer à l'acheteur. Cette garantie limitée confère à l'acheteur certains droits particuliers et celui-ci pourrait avoir d'autres droits qui varient selon l'État ou la province dans lequel ou laquelle il réside.

myQ® Business™

Portal de acceso conectado - Alta capacidad

MANUAL DE INSTALACIÓN

Modelos CAPXL / CAPXLV



LiftMaster®

Seguridad

Revisión de los símbolos de seguridad y palabras clave

Estas advertencias y/o símbolos de seguridad que aparecen a lo largo de este manual le alertarán de la existencia de riesgo de una lesión seria o de muerte si no se siguen las instrucciones correspondientes. El peligro puede ser eléctrico (electrocución) o mecánico. Lea detenidamente estas advertencias.

Cuando vea esta palabra de advertencia en las páginas siguientes, se le alertará sobre la posibilidad de dañar la puerta o el operador de la puerta si no sigue las precauciones correspondientes. Lea las instrucciones con mucho cuidado.

ADVERTENCIA

MECÁNICA

ADVERTENCIA

ELECTRICIDAD

PRECAUCIÓN


ADVERTENCIA

Para reducir el riesgo de LESIONES GRAVES o la MUERTE:

- Desconecte la alimentación eléctrica en la caja de fusibles ANTES de continuar.
- Para EVITAR dañar las tuberías de gas, energía u otros servicios subterráneos, póngase en contacto con las empresas de servicios ANTES de realizar una excavación.
- TODAS las conexiones eléctricas DEBEN ser realizadas por una persona calificada.
- TODO el cableado de alimentación eléctrica y de control se DEBE instalar en conductos separados.

Para proteger contra incendios y electrocución:

- Desconecte la alimentación ANTES de instalar o realizar el mantenimiento del CAPXL/CAPXLV.
- NUNCA conecte un teclado/lector o seguro a las puertas sin antes consultar el código de incendios aplicable.
- ANTES de instalar seguros o dispositivos en CUALQUIER puerta que pudiera ser una salida de emergencia DEBE consultar a los bomberos locales y obtener su aprobación.
- El uso de pulsadores para puertas de salida puede no ser legal.
- Obtenga SIEMPRE las aprobaciones y los permisos adecuados por escrito ANTES de instalar un equipo.

 **ADVERTENCIA:** Este producto puede exponerle a productos químicos (incluido el plomo), que a consideración del estado de California causan cáncer, defectos congénitos u otros daños reproductivos. Para más información, visite www.P65Warnings.ca.gov.

INTRODUCCIÓN

i

Descripción general del CAPXL/CAPXLV	4
Descripción general de la tarjeta de Internet/alimentación ..	5
Descripción general de la tarjeta de la puerta	6
Contenido de la caja	7
Herramientas necesarias	7
Dimensiones	8
Especificaciones del sistema	8
Especificaciones del cable	9
Requerimientos de Internet	10

1

PREINSTALACIÓN

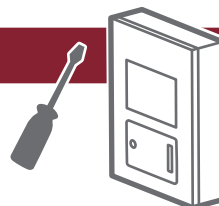
Servicio de Internet	11
Proveedor de telefonía	11
Configurar una cuenta myQ® Business™	11



2

INSTALACIÓN

Retirar los orificios ciegos	12
Instale el CAPXL/CAPXLV	13
Instalar las antenas	14
Instalar la conexión a tierra	15
Conecte la alimentación eléctrica	16



3

RED

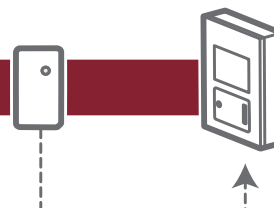
Conecte Internet	17
Validar configuración	17



4

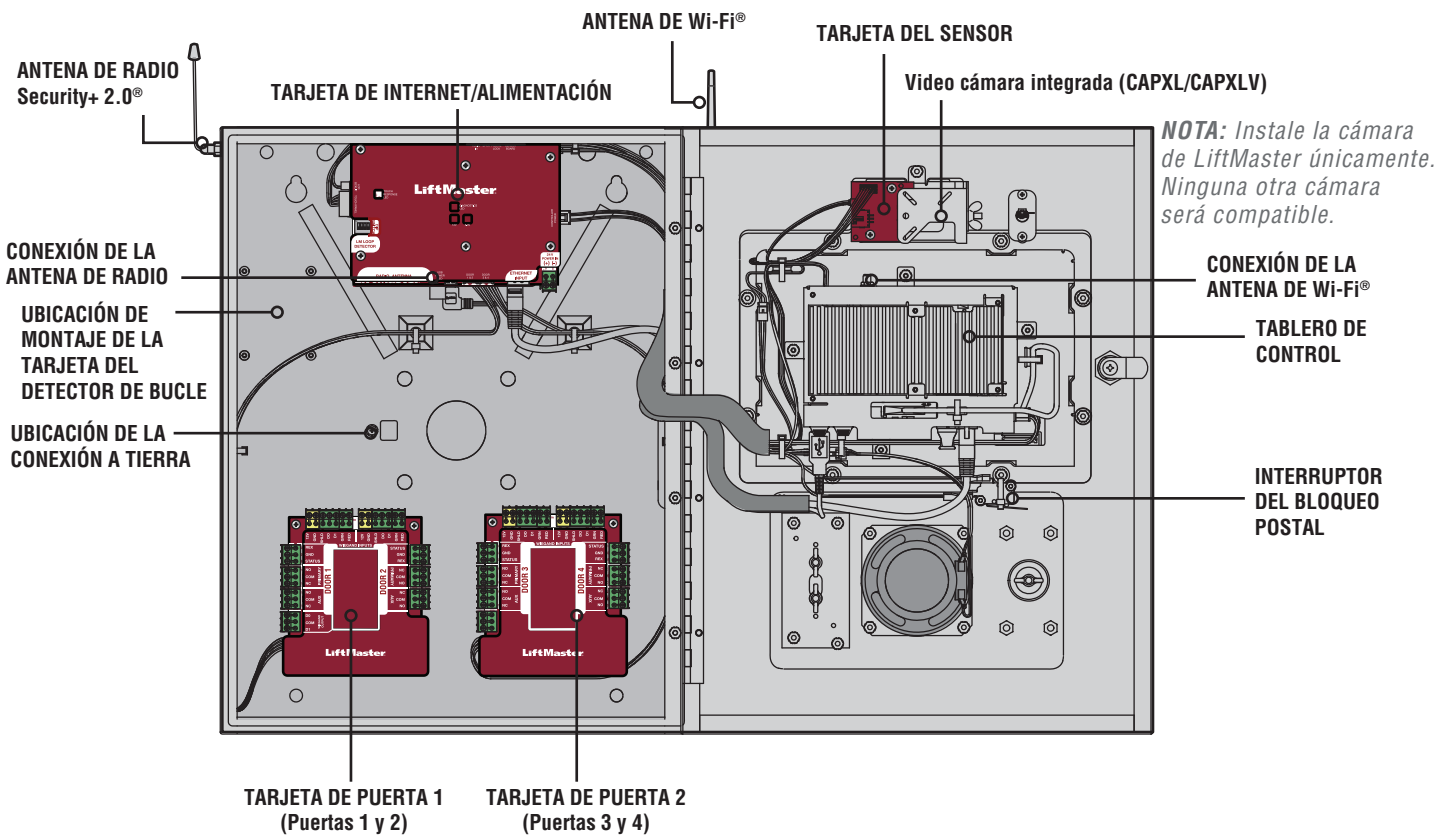
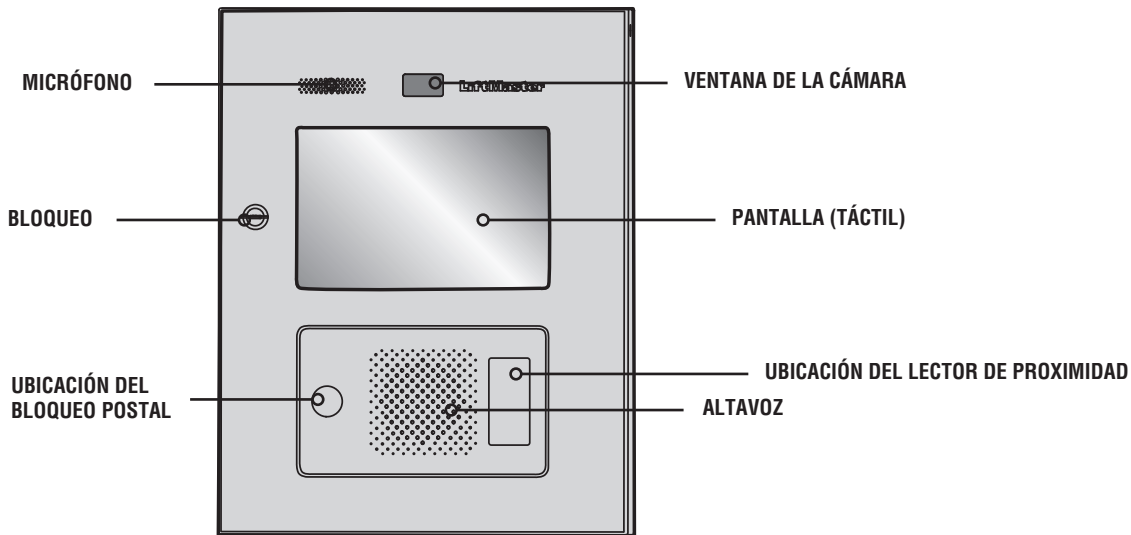
CONTROL DE ACCESO

Acceso de portón (cableado)	18
Acceso de portón (inalámbrico)	19
Acceso de puerta	20
Lector de tarjeta	21
Salida Wiegand	22
Bloqueo postal	23
Función de cámara de video	24
Función de llamado automático	25
Diagrama de cableado	26
Piezas de repuesto	27
Accesorios	27
Hoja de configuración	28
Exenciones de responsabilidad	29
Garantía	30

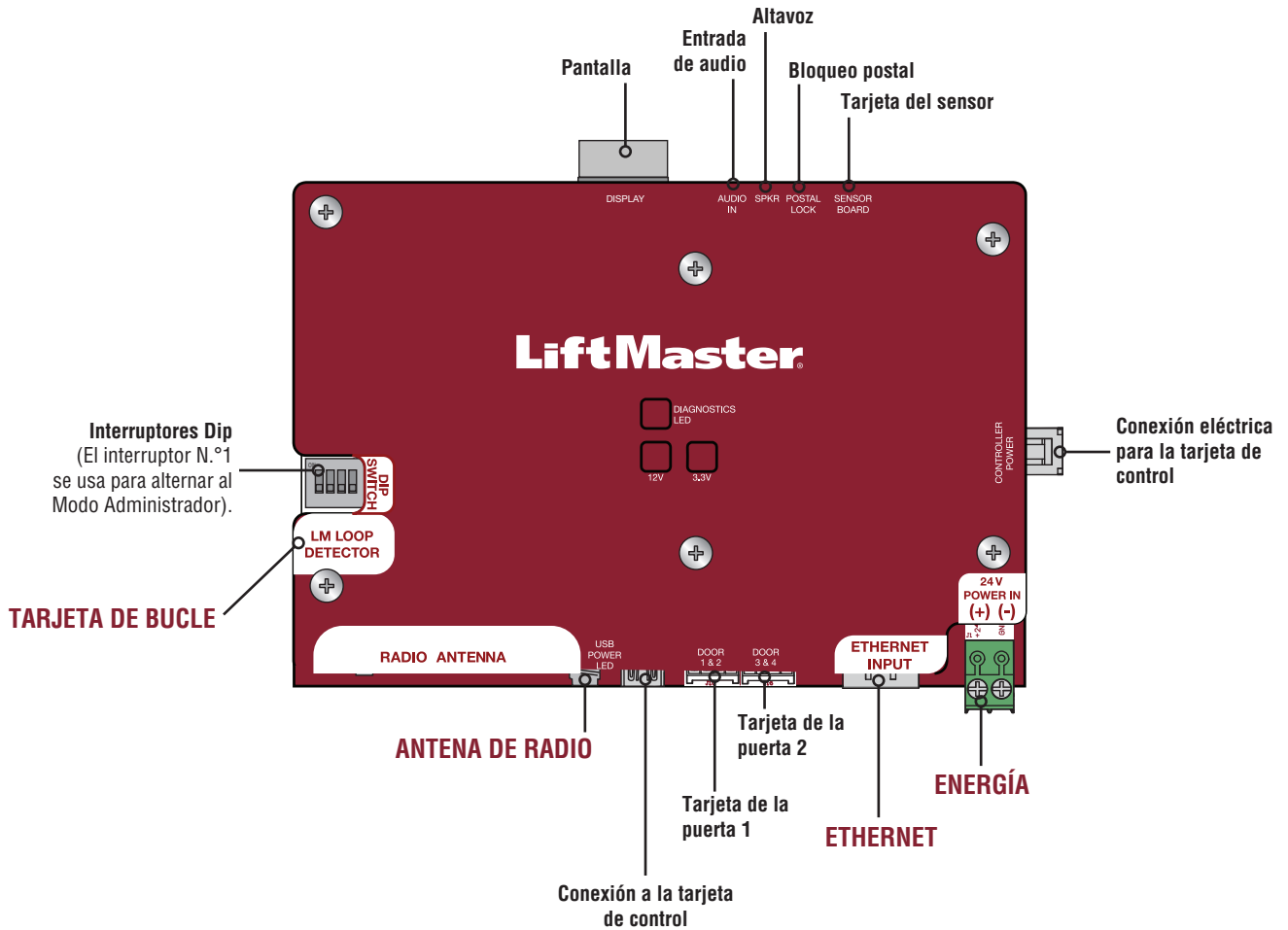


Descripción general del CAPXL/CAPXLV

CAPXL/CAPXLV son soluciones de control de acceso basadas en la nube para comunidades residenciales. **CAPXLV** incluye una cámara de video integrada que permite funciones de video avanzadas.



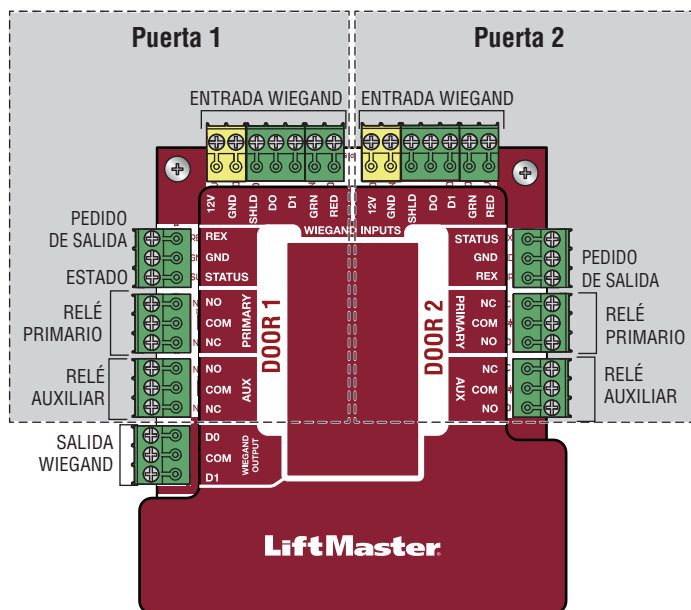
Descripción general de la tarjeta de Internet/alimentación



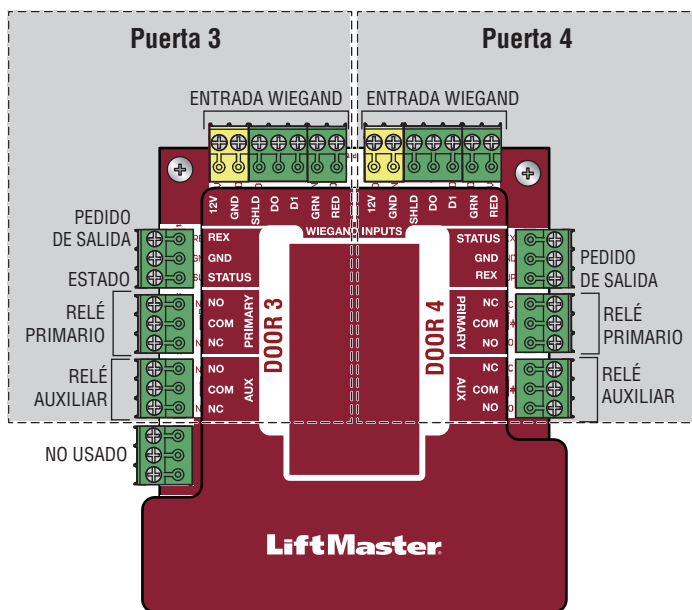
Descripción general de la tarjeta de la puerta

El CAPXL/CAPXLV posee una combinación de entradas/salidas del control de acceso en las tarjetas de puerta que funcionan en conjunto para controlar hasta 4 puntos de acceso.

TARJETA DE LA PUERTA 1



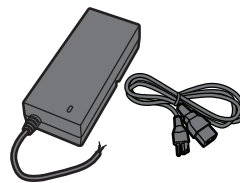
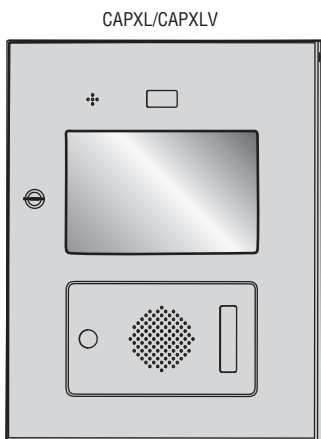
TARJETA DE LA PUERTA 2



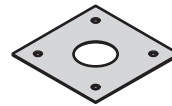
ENTRADA/SALIDA	SE UTILIZA PARA
Entradas Wiegand	Lectores de proximidad, teclados ASCII, lectores RFID que transmiten Mifare de 26 bits, *30 bits, *32 bits, *y *37 bits con y sin código de las instalaciones (energía de 12 Vcc para lectores únicamente. No se debe utilizar para alimentar los dispositivos externos)
Pedido de salida	Detectores de bucle de salida libres externos, botones y sensores de proximidad
Estado	Sensores de puerta, operadores de puerta supervisados y cableado EOL (Fin de línea)
Relé primario	Sensor de puerta cerrada, sensor de portón cerrado, operadores de portón supervisados con EOL (Fin de línea) o no supervisados, cerraduras de puerta y seguros magnéticos
Relé auxiliar	Operador de portón, cerraduras de puertas, puente de alarma, seguros magnéticos y luces (para control únicamente – la energía será proporcionada por el suministro externo)
Salida Wiegand	Actividad de acceso autorizado de 26 bits para la integración con sistemas de terceros

***NOTA:** Solo el protocolo Wiegand de 26 bits es compatible con las instalaciones UL.

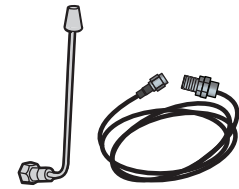
Contenido de la caja



Alimentación de energía



Junta de cuello curvo

Antena de radio (Security+ 2.0®)
and CableS10K30MOV
(Varistor de óxido metálico) (4)

Llaves (2)



Núcleo de ferrita



Juego de diodos 1N4005 (4)



ANTENA de Wi-Fi® y cable

SE INCLUYE (NO SE MUESTRA)

- Manual de instalación
- Guía de inicio rápido

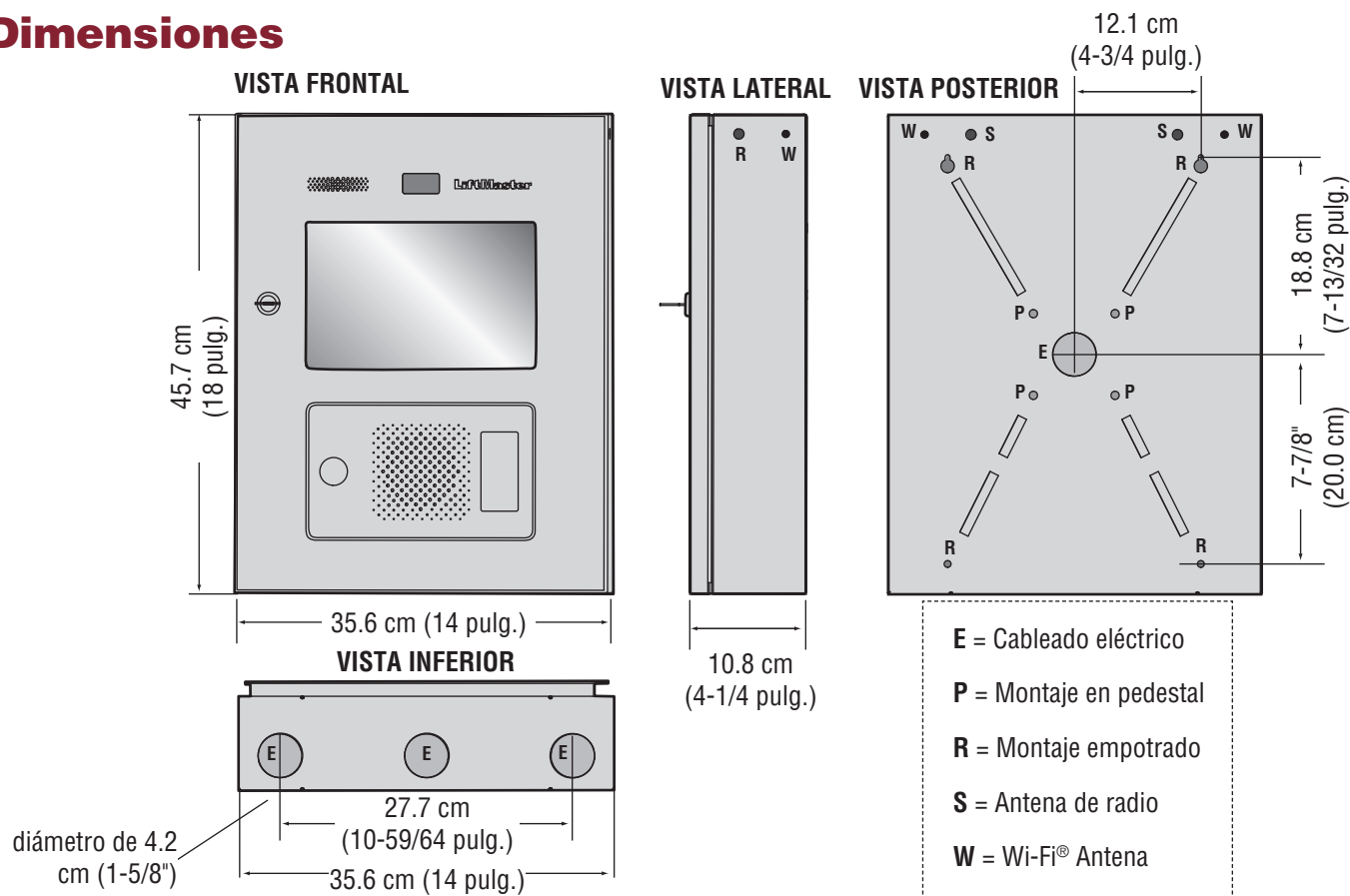
Herramientas necesarias

- Destornillador Phillips PH2
- Destornillador Phillips de precisión de 1/8" plano o PH0
- Llave de tuerca de 1/4"
- Taladro/atornillador
- 7/64" Broca
- Puntas de taladro martillo para taladro/atornillador
- Pinza engarzadora para conectores RJ45
- Multímetro
- Cinta de medir
- Curvadora de conductos
- Escariador/avellanador de conductos
- Sierra para metales
- Herramienta de punzón
- Martillo

Otras herramientas recomendadas

- Probador de cable de red LAN
- Aplicación Wi-Fi Analyzer (aplicación para teléfono inteligente)
- Software Network Analyzer

Dimensiones



Especificaciones

Capacidad del CAPXL / CAPXLV	Capacidad para 50,000 residentes/Historial de 50,000 eventos locales
Voltaje de suministro	24 VCC, 60 W (mínimo), salida de clase 2, eficiencia de nivel VI (alimentación eléctrica de 100 a 240 VCA, 2 A, 50/60 Hz)
Corriente de servicio	1.25 amperios – Sin accesorios
Supresión de sobretensión	EFT: Electricidad de línea de 2 kV, ESD: 15 kV HBM / 8 kV directo / 200 V MM
Rango de temperatura de servicio del CAPXL/CAPXLV	De -29 °C a 54 °C (de -20 °F a 130 °F)
Gabinete	Acero inoxidable
Rango de temperatura de almacenamiento y envío	De -40 °C a 60 °C (de -40 °F a 140 °F)
Entradas Wiegand (4)	Mifare de 26 bits, *30 bits, *32 bits, *37 bits con y sin código de las instalaciones, y ASCII (para teclados). Salida de alimentación de 12 VCC, 250 mA (por salida)
4 Salidas de relé principales y 4 auxiliares	SPDT, Carga nominal de 3 A 30 VCC (cada una)
Compatibilidad de los accesorios	Consulte la página de accesorios para saber cuáles son los accesorios compatibles.
Compatibilidad de la red	Ethernet 10/100/1,000
Compatibilidad Wi-Fi®	802.11 a/b/g/n and 802.11 ac 2.4 GHz
Seguridad Wi-Fi®	El CAPXL/CAPXLV es compatible con los routers que usan los siguientes protocolos de seguridad: WPA2-PSK, (AES) (Recomendado), WPA2-PSK (TKIP) (Recomendado), WPA2 Personal (Recomendado), WPA-PSK (AES) y WPA-PSK (TKIP). El CAPXL/CAPXLV NO es compatible con los routers que usan los siguientes protocolos de seguridad; WPA2 Enterprise, WEP, Abierta (Sin contraseña ni cifrado)
Alcance de Wi-Fi®	Hasta 152.4 m (500 pies), Aire libre/línea de visión (el alcance varía según las obstrucciones)
Receptor Passport incorporado de LiftMaster	Security+ 2.0®
Comunicación inalámbrica con el operador de portón	Hasta 228.6 m (750 pies), Aire libre/línea de visión (el alcance varía según las obstrucciones), Compatible con operadores de portón Security+ 2.0® de LiftMaster
Cámara de video CAPXLV	1080 p, ángulo de visualización - 135 grados en diagonal

***NOTA:** Solo el protocolo Wiegand de 26 bits es compatible con las instalaciones UL. Los alcances inalámbricos y de Wi-Fi® no fueron evaluados por UL.

Especificaciones del cable

Use este cuadro para tender los cables en la preparación de su instalación. Consulte los códigos de construcción locales y nacionales **antes** de realizar la instalación.

DESCRIPCIÓN DEL TENDIDO DE CABLES	ESPECIFICACIONES DEL CABLE	DISTANCIA DE DESPLAZAMIENTO MÁXIMO
Cable de potencia, salida secundaria de CC	2 Conductores de 14 AWG 2 Conductores de 16 AWG 2 Conductores de 18 AWG	Hasta 91.4 m (300 pies) Hasta 60.9 m (200 pies) Hasta 30.4 m (100 pies)
Red de área local (LAN) Cable de red CAT 5 o superior. Para video es preferible el CAT 5e o superior.	8 Conductores, 24 AWG de par trenzado	100 m* (328 pies)
Conexión a tierra del chasis (use la lengüeta de puesta a tierra en el CAPXL/CAPXLV)	12 AWG de cobre	3.7 m (12 pies)
Cerradura de la puerta	2 Conductores de 18-22 AWG blindado	30.5 - 76.2 m (100 - 250 pies)
Bloqueo magnético	2 Conductores de 18-22 AWG	15.2 - 38.1 m (50 - 125 pies)
Cierre de contacto seco (la mayoría de los operadores de portón)	2 Conductores de 18-22 AWG blindado	152.4 - 762 m (500 - 2500 pies)
Pedido de salida (REX)	2 Conductores de 18-24 AWG	152.4 m (500 pies)
Entrada supervisada	2 Conductores de 18-24 AWG	152.4 m (500 pies)
Lectores Wiegand/de proximidad	7 Conductores de 18-22 AWG blindado	152.4 m (500 pies)
Caja de bloqueo postal	2 Conductores de 18-24 AWG	76.2 - 304.8 m (250 - 1000 pies)

NOTA: El cableado de alimentación eléctrica y de control se **DEBE** instalar en conductos separados. Los conductos deben estar aprobados por UL para alto y bajo voltaje. Consulte los requisitos de cableado adicionales de NEC.

La categoría 5 de cableado es la categoría de desempeño mínima recomendada.

El cableado deberá cumplir el Código Eléctrico Nacional (ANSI/NFPA 70), los códigos locales y las autoridades que tienen jurisdicción. Siempre suministre la energía desde una fuente dedicada. Enchufe el transformador que se suministra en un tomacorriente conectado a su propio interruptor automático de 10 amperios. Esto evitará dos problemas:

- Otros equipos no podrán introducir picos de tensión, ruido, sobretensión o caídas en el circuito de energía que afecten al sistema.
- La operación del sistema no estará afectada si cualquier otro equipo genera un cortocircuito a lo largo de la línea eléctrica.

*** NOTAS DEL CABLE DE RED CATEGORÍA 5/6:**

- Para las distancias exteriores que superen los 42,7 m (140 pies), se **DEBE** instalar en el CAPXL/CAPXLV un protector de sobretensión primario que cumpla la norma UL497.
- Las distancias que superen los 100 m (328 pies) se pueden adaptar con herrajes adicionales (disponibles a través de terceros).

Requerimientos de Internet

Cuando seleccione un router, utilice la información siguiente para garantizar la compatibilidad.

MODELO: CAPXL/CAPXLV - Portal de acceso conectado, alta capacidad

El CAPXL/CAPXLV se puede conectar a un router mediante una conexión cableada o a través de Wi-Fi. LiftMaster recomienda una velocidad de Internet de 25 Mbps (Mbits por segundo) de descarga, 10 Mbps de subida para un mejor desempeño de video (mínimo 10 Mbps de velocidad de descarga, 5 Mbps de velocidad de subida por cada CAPXL que admita entradas de cámaras de video).

NOTA: Estas velocidades de subida/descarga deben cumplirse si se considera el uso de otros dispositivos en la red, como cámaras y computadoras.

EL CAPXL/CAPXLV ES COMPATIBLE CON LOS ROUTERS QUE USAN LOS SIGUIENTES PROTOCOLOS DE COMUNICACIÓN DE WI-FI:

- 802.11a
- 802.11b
- 802.11g
- 802.11n

COMPATIBILIDAD DE SEGURIDAD DEL WI-FI CON EL CAPXL/CAPXLV

COMPATIBLE

- WPA2-PSK (AES) (Recomendado)
- WPA2-PSK (TKIP) (Recomendado)
- WPA2 Personal (Recomendado)
- WPA-PSK (AES)
- WPA-PSK (TKIP)

NO COMPATIBLE

- WPA2 Enterprise
- WEP
- Abierto (Sin contraseña ni cifrado)

OTRAS CONSIDERACIONES DE COMPATIBILIDAD:

- No use dispositivos amplificadores de Wi-Fi. Esto pueden introducir latencia en la conexión, lo que conduce a una transmisión de video entrecortada o poco confiable.
- Si usa una herramienta o aplicación de intensidad de señal Wi-Fi, debe garantizarse una conexión con una intensidad de señal de por lo menos -65 DBM (los números más cercanos a cero son los de intensidad más fuerte) en el CAPXL/CAPXLV para asegurar una conexión aceptable a la red local.
- Las SSID de red ocultas no son compatibles. La red debe poder seleccionarse desde la pantalla del CAPXL/CAPXLV.
- Las redes de Wi-Fi que requieren autenticación secundaria no son compatibles (p. ej., Wi-Fi de hoteles y aeropuertos).
- Al comprobar la potencia de la señal en modo de administrador del CAPXL/CAPXLV, recomendamos por lo menos dos barras, tal como se muestra en la pantalla del CAPXL.
- Si no tiene dos barras, reubique el router o la antena, o use el accesorio WFAEXT (Juego de extensión de antena de Wi-Fi - 4.6 m [15 pies]) para mover la antena del CAPXL más arriba o a una ubicación donde detecte dos o más barras de señal.

Los siguientes servicios son necesarios para que el CAPXL/CAPXLV funcione plenamente

1 Configurar una cuenta myQ® Business™



NOTA: Si tiene una cuenta myQ® existente, su cuenta myQ® Business™ tendrá la misma contraseña. Visite: myQBusiness.com e inicie sesión.

1. Si no tiene una cuenta myQ® Business™, llame al Centro de Atención al Cliente de LiftMaster al 800.323.2276 para activar una cuenta myQ® Business™.
2. Recibirá un correo de bienvenida de LiftMaster. Acepte la invitación y regístrese o inicie sesión en su cuenta.
3. Configure la instalación, seleccione un plan de suscripción, agregue residentes y credenciales (consulte la Ayuda disponible en myQ® Business™).
4. Continúe con la instalación del CAPXL/CAPXLV en este manual.

2 Servicio de Internet

El CAPXL/CAPXLV se DEBE configurar con los ajustes de red adecuados para que funcione.

RED

Proveedor de servicio de Internet: _____

CONEXIÓN INALÁMBRICA

Nombre de la red: _____

Contraseña: _____

CONEXIÓN CABLEADA

Dirección de IP automática: DHCP (configuración preferida)

0

Dirección de IP estática: (**NOTA:** Anote la siguiente información para referencia futura: IP, máscara de red, Gateway, Primario, Secundario, Puerto del servidor)

3 Servicio telefónico

Se requiere una suscripción con Phone.com, un proveedor de SIP, para realizar llamadas de video. Regístrese a través de myQ® Business™ después de agregar un CAPXL/CAPXLV a una instalación. Para todos los otros tipos de llamadas telefónicas, LiftMaster no garantiza ni brinda soporte por el desempeño de las llamadas si usa un proveedor de SIP alternativo. Si está utilizando otro proveedor de SIP, se requerirá la siguiente información:

- Nombre de usuario de SIP _____
- Contraseña de SIP _____
- Dominio de SIP _____
- Puerto del servidor _____
- Proxy saliente (op.) _____
- Identificación de autorización de SIP (op.) _____
- Servidor Stun (Op.) _____

¿El cliente ya tiene una cuenta phone.com?

En caso afirmativo, dirección de correo de la cuenta Phone.com. _____

En caso afirmativo, contraseña de la cuenta Phone.com. _____

Si el cliente no tiene una cuenta phone.com.

Use el portal en la pantalla CAPXL/CAPXLV para registrar una cuenta nueva.

Numero de PC del CAPXL/CAPXLV (TE2-XX-XXXX): _____

(ubicado en la etiqueta del PC en la parte superior de la ménsula de la tarjeta de control y en la pantalla cuando se enciende)

1 Retirar los orificios ciegos

1. Gire la llave en dirección de las agujas del reloj para desbloquear el CAPXL/CAPXLV.
2. Abra la puerta y coloque el CAPXL/CAPXLV hacia abajo sobre una mesa con la puerta colgando del borde de la mesa tal como se muestra.
3. Identifique qué orificios ciegos se deben retirar de acuerdo a su aplicación.
4. Use una herramienta de punzón para retirar los troqueles desde el exterior de la caja hacia adentro usando un punzón de tamaño adecuado y un martillo. **NOTA:** Al quitar los troqueles, intente no dañar los componentes del CAPXL/CAPXLV.

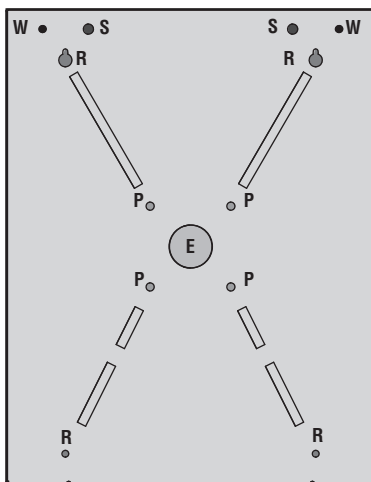
⚠ PRECAUCIÓN

Para prevenir daños al CAPXL/CAPXLV causados por la humedad o el agua:

- NO realice la instalación durante un día de lluvia. Los componentes internos se DEBEN mantener alejados del agua y la humedad.
- ANTES de abrir la cubierta frontal del CAPXL/CAPXLV, retire el agua acumulada en la parte superior de este.

Para evitar daños a CUALQUIER componente interno:

- NO intente eliminar los orificios ciegos con un martillo. Golpear los orificios ciegos puede ocasionar una descarga en el tablero de circuitos, que puede generar un daño permanente.



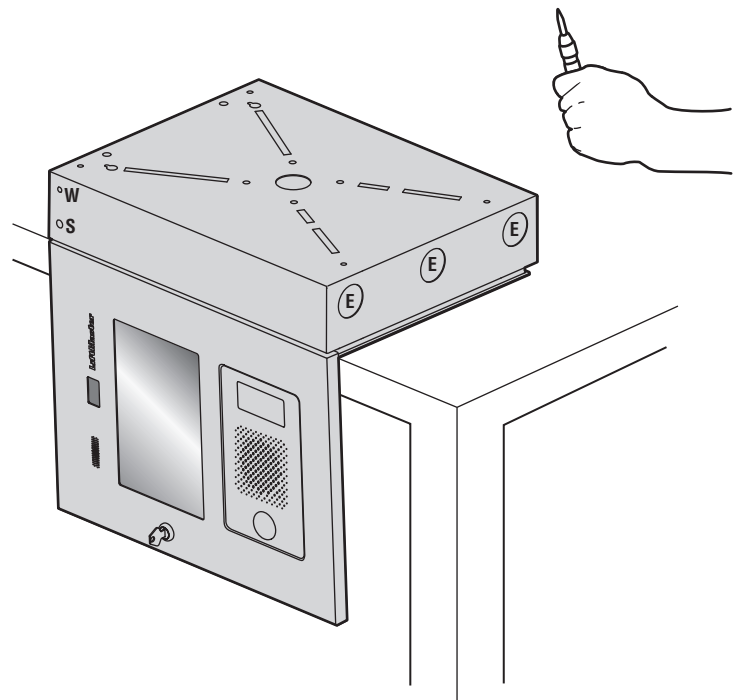
E = Cableado eléctrico

P = Montaje en pedestal

R = Montaje empotrado

S = Antena de radio
Security+ 2.0®

W = Antena de Wi-Fi®



2 Instale el CAPXL/CAPXLV

1. Sujete la junta de cuello curvo (que se incluye) si el montaje se realizará sobre un cuello curvo.
2. Instale el CAPXL/CAPXLV de manera segura a una superficie plana o a un pedestal con el herraje adecuado e intentando pasar los cables por los orificios precortados adecuados. Se recomienda usar herrajes de acero inoxidable para montar el CAPXL/CAPXLV. El uso de herrajes chapados en zinc o galvanizados puede generar corrosión galvánica.

NOTAS:

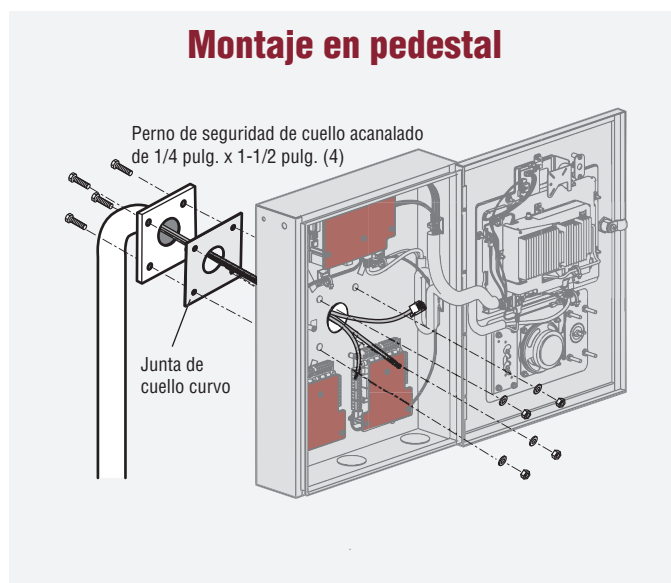
-Asegúrese de que la cubierta se pueda abrir completamente para permitir el acceso después de terminar la instalación.

-Cumplimiento de la ley ADA: Al montar el CAPXL / CAPXLV en una entrada peatonal, instale la parte superior de la pantalla del CAPXL/CAPXLV a una distancia que no supere las 54 pulgadas del suelo a fin de cumplir la ley ADA.

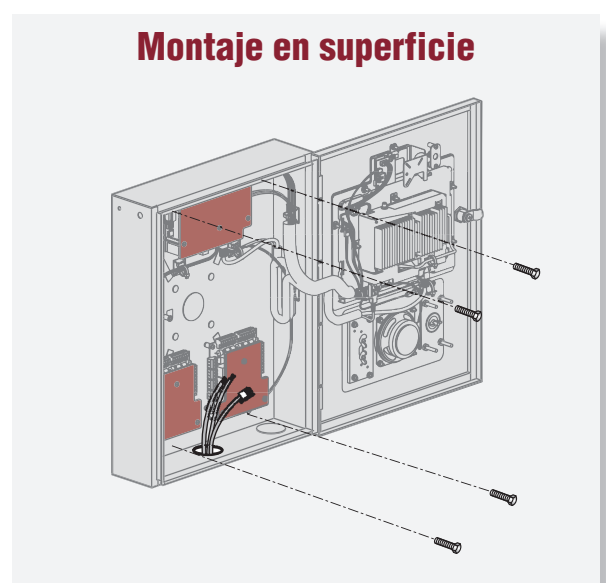
HAGA

Asegúrese de que el CAPXL/CAPXLV esté adecuadamente sellado para evitar daños debido a la humedad.

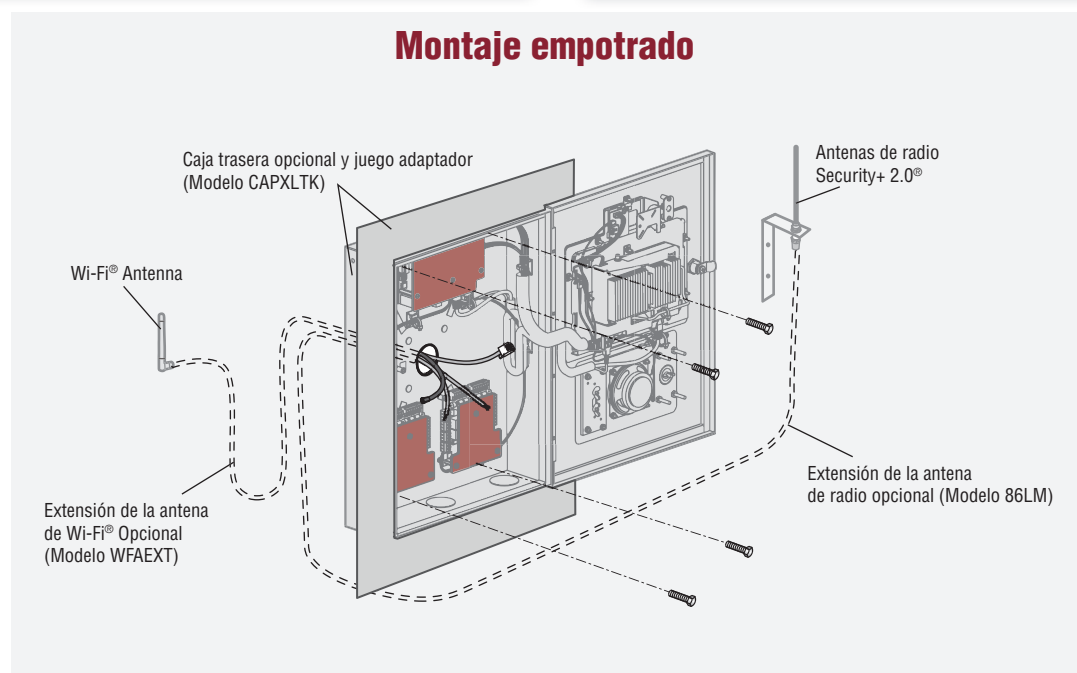
Montaje en pedestal



Montaje en superficie



Montaje empotrado



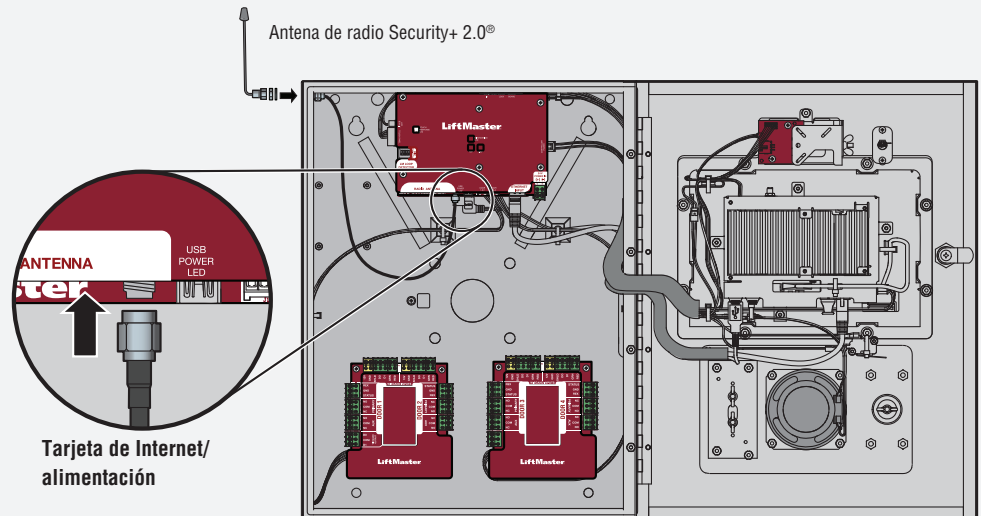
3 Instalar las antenas

La antena de radio Security+ 2.0 y las antenas de Wi-Fi deben tener una separación de 20 cm (8 pulgadas) como mínimo. Instale las antenas en lados opuestos del CAPXL/CAPXLV. Para el montaje de antena remota están disponibles los juegos de cable de antena opcionales (consulte la sección de Accesorios).

Antena de radio Security+ 2.0® (si corresponde)

Se usa con operadores de portón LiftMaster Passport Security+ 2.0 que cumplen las normas UL 325 2016 y tienen comunicación inalámbrica.

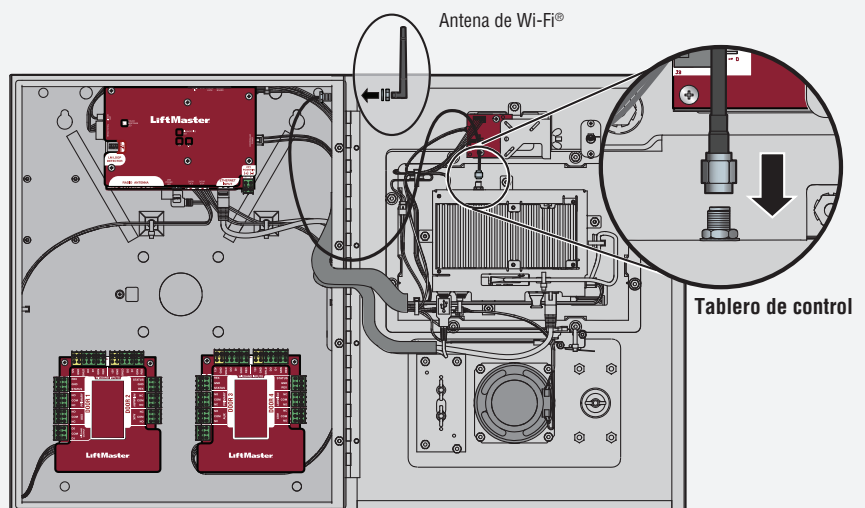
1. Retire el troquel de 3/8" en la parte lateral o posterior del CAPXL/CAPXLV.
2. Fije la antena de radio al troquel deseado en el CAPXL/CAPXLV.
3. Conecte el cable de la antena de radio a la tarjeta de Internet/alimentación tal como se muestra.



Antena de Wi-Fi® (si corresponde)

Se usa para Internet Wi-Fi®.

1. Retire el orificio ciego de 1/4" en la parte lateral o posterior del módulo.
2. Fije la antena de Wi-Fi® al troquel deseado en el CAPXL/CAPXLV con la junta, la arandela y la tuerca que se suministran.
3. Conecte el cable de la antena de Wi-Fi® a la tarjeta de control tal como se muestra.



4 Instalar la conexión a tierra

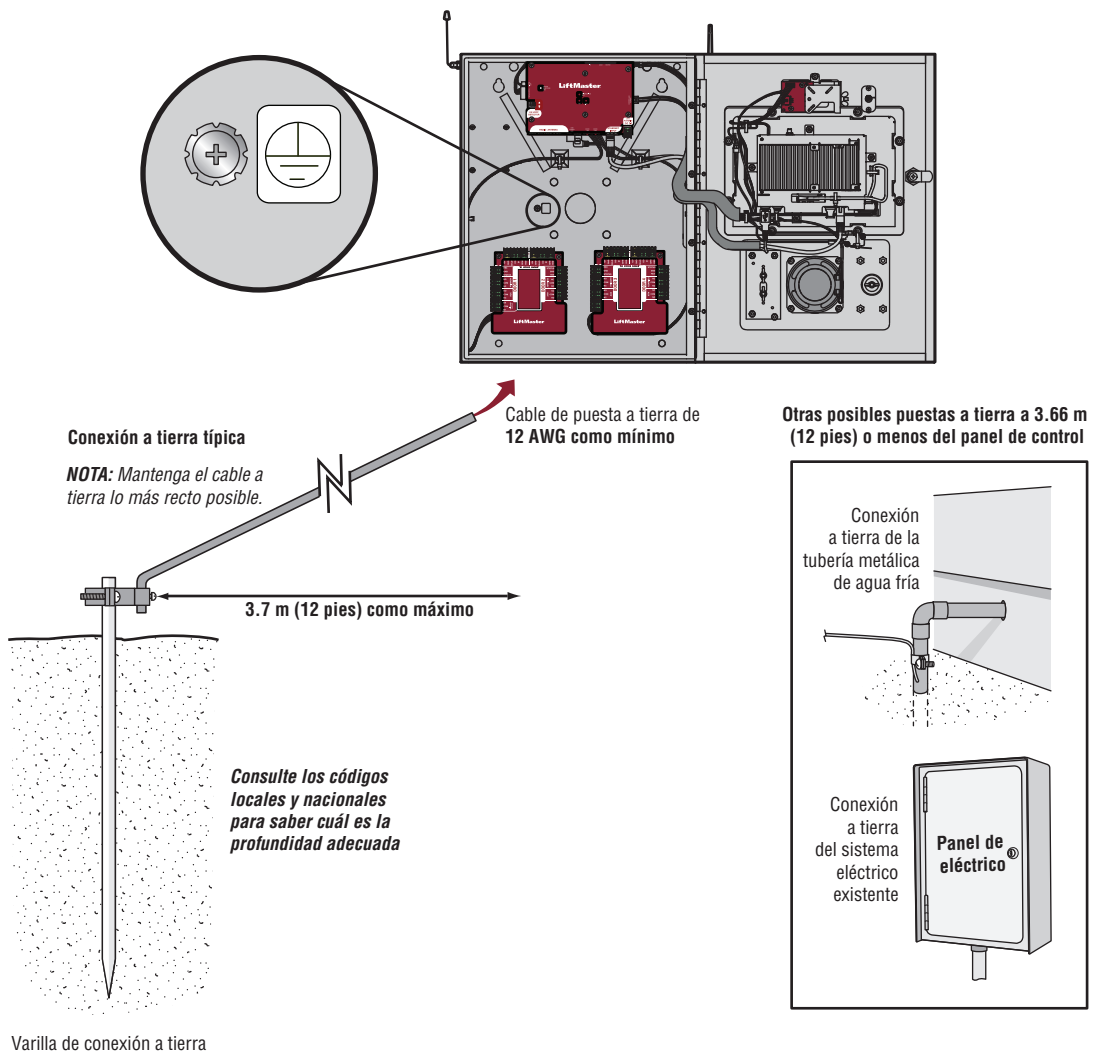
IMPORTANTE: Se recomienda firmemente instalar una varilla a tierra que no deberá superar los 3,7 m (12 pies) del CAPXL/CAPXLV y deberá usar un cable de calibre 12 como mínimo en la mayoría de los casos. El tipo y la longitud de la varilla a tierra varían según la región. Comuníquese con la AHJ (la autoridad que tiene jurisdicción) en la municipalidad donde planea instalar el CAPXL/CAPXLV para conocer cuáles son los materiales de conexión a tierra y los procedimientos de instalación correctos. Una conexión a tierra adecuada es fundamental para minimizar el riesgo de que el CAPXL/CAPXLV se dañe debido a condiciones eléctricas transitorias.

1. Conecte el cable a tierra (calibre 12 o más grande) a la conexión a tierra del CAPXL/CAPXLV.
2. Pase el cable desde el CAPXL/CAPXLV hasta una varilla a tierra adecuada.

NOTA: Las conexiones blindadas en las tarjetas no se deben conectar a tierra.

⚠ PRECAUCIÓN

Para EVITAR dañar las tuberías de gas, energía u otros servicios subterráneos, póngase en contacto con las empresas de servicios ANTES de realizar una excavación.



5 Conecte la alimentación eléctrica

El CAPXL/CAPXLV DEBE ser un tomacorriente de 120 Vca dedicado externo. Consulte la tabla siguiente para conocer las distancias máximas del tendido de cable. Este tomacorriente debe estar conectado a su propio interruptor automático de 10 amperios.

ESPECIFICACIONES DEL CABLE	DISTANCIA DE DESPLAZAMIENTO MÁXIMO
14 AWG	Hasta 91.4 m (300 pies)
16 AWG	Hasta 60.9 m (200 pies)
18 AWG	Hasta 30.4 m (100 pies)

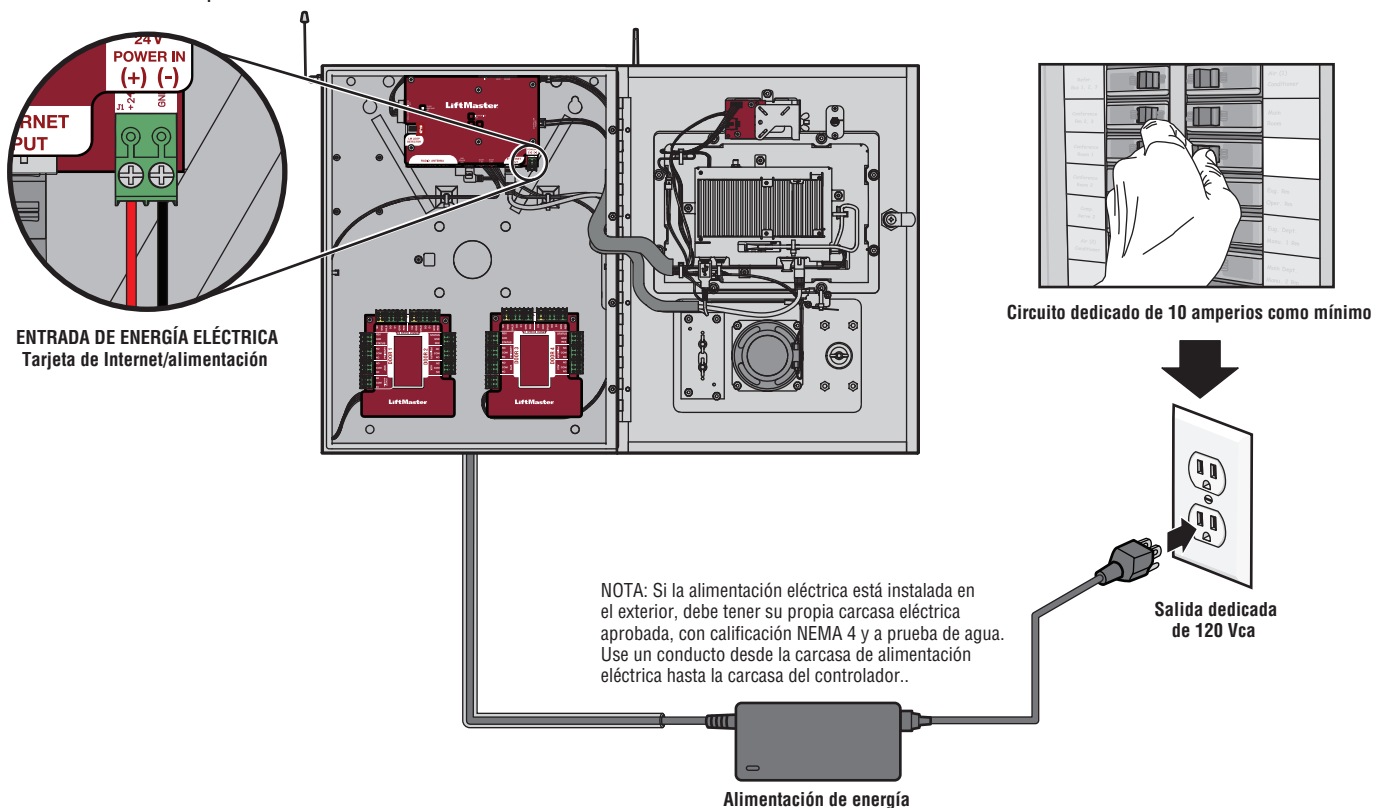
1. Conecte un cable de 14 a 18 AWG a los cables pelados de salida secundaria de CC en el suministro eléctrico. El negro es negativo y el rojo es positivo.
2. Retire el bloque de terminales PWR INPUT de la Tarjeta de Internet/Alimentación.
3. Conecte los cables de la alimentación eléctrica al bloque de terminales PWR INPUT (rojo a +24 V y negro a GND). Vuelva a conectar el bloque de terminales a la tarjeta de Internet/alimentación.
4. Una vez que haya realizado todas las conexiones, enchufe la alimentación eléctrica a un tomacorriente de 120 Vca.

NOTA: El LED verde de la tarjeta de la puerta parpadeará y el LED verde de la tarjeta de Internet/alimentación se iluminará sin parpadear cuando esta se encienda. El CAPXL/CAPXLV mostrará el logotipo de LiftMaster al arrancar. Una vez que el arranque se haya completado, aparecerá la interfaz de usuario.

5. Cierre la puerta del CAPXL/CAPXLV.

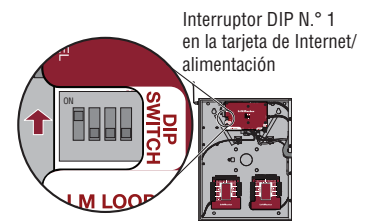
⚠ PRECAUCIÓN

- NO use NINGÚN suministro de energía distinto del que se suministra con su CAPXL/CAPXLV.
- NO alimente cerraduras o cerrojos electrónicos con el mismo suministro de energía que usa para alimentar el panel de control de acceso; de hacerlo, ocasionará DAÑOS al CAPXL/CAPXLV. Use ÚNICAMENTE una alarma antirrobo o un sistema de control de acceso certificados por las normas UL para alimentar las cerraduras o los pestillos electrónicos.
- NO conecte el suministro de energía a un tomacorriente conmutado o a un tomacorriente de CA controlado.
- NO conecte el suministro de energía a la salida de 120 Vca hasta que haya completado TODO el cableado.
- Instale el dispositivo de supresión de ruidos transitorio (MOV) que se suministra con el CAPXL/CAPXLV para los dispositivos con alimentación de CA y el diodo para los dispositivos con alimentación de CC.



1 Conecte Internet

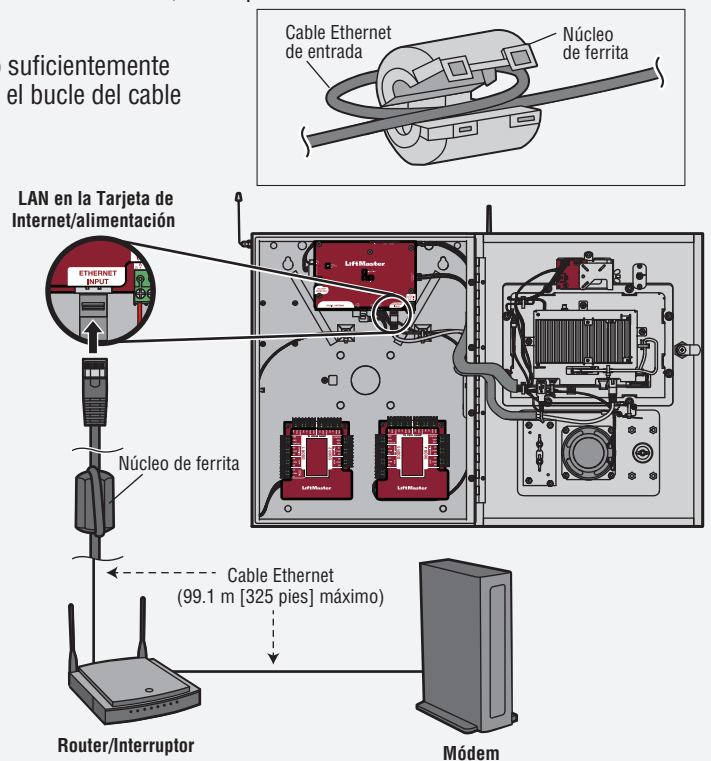
El CAPXL/CAPXLV puede conectarse a Internet mediante una conexión cableada o Wi-Fi® (conexión inalámbrica). Vea la página 10 para conocer los requisitos de Internet. Asegúrese de estar en Modo Administrador antes de conectarse a Internet. Si no está en Modo Administrador, cambie el interruptor DIP N.º 1 a la posición Encendido en la tarjeta de Internet/alimentación, presione la pestaña de Red en la pantalla CAPXL/CAPXLV y presione el botón “Cambiar configuración de red”. Siga las instrucciones de acuerdo a su aplicación.



OPCIÓN 1 Conexión de cableado

El puerto de la Red de Área Local (LAN) es una interfaz Ethernet 10/100/1000 con un conector RJ45 para conectar el CAPXL/CAPXLV a un concentrador, interruptor o router para tener conectividad a Internet. Use un cable recto (es decir, no cruzado) Cat5, Cat5e o Cat6 para realizar la conexión a un concentrador, interruptor o router local. En este manual, este tipo de cable se denomina cable Ethernet.

1. Abra el núcleo de ferrita.
2. Enrolle el cable Ethernet de entrada una vez, creando un bucle lo suficientemente grande para que encaje en el largo del núcleo de ferrita. Coloque el bucle del cable cerca del orificio ciego eléctrico previsto.
3. Coloque la sección enrollada del cable Ethernet de entrada sobre un lado del núcleo de ferrita abierto.
4. Cierre el núcleo de ferrita de manera segura y enchufe el cable Ethernet de entrada en la tarjeta de Internet/alimentación.
5. Conecte un cable Ethernet desde el concentrador, interruptor o router al puerto LAN en la tarjeta de Internet/alimentación. Cuando se realiza la conexión de manera adecuada, los LED verde y ámbar en el puerto Ethernet de la tarjeta de control se encienden/parpadean (la tarjeta de control está ubicada en la parte trasera de la pantalla del CAPXL/CAPXLV). Si el LED verde no se enciende, revise las conexiones en el CAPXL/CAPXLV y el concentrador Ethernet.
6. En la pantalla, seleccione **Red cableada** si desea una configuración dinámica (DHCP) o seleccione **Configuración manual** para una dirección de IP estática.



OPCIÓN 2

Conexión a través de Wi-Fi® (conexión inalámbrica)

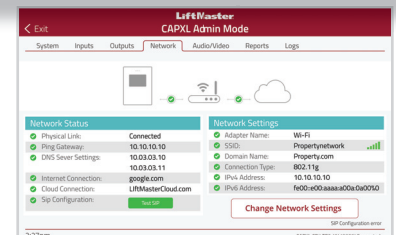
1. En la pantalla, seleccione **red de Wi-Fi®**.
2. Seleccione la red que usará el CAPXL/CAPXLV.
3. Ingrese la contraseña de la red.
4. Seleccione “**Login**” (**Iniciar sesión**)

Otras consideraciones de compatibilidad:

- **Al comprobar la potencia de la señal en modo de administrador del CAPXL/CAPXLV, recomendamos por lo menos dos barras.**
- Si no tiene dos barras, reubique el router o la antena, o use el accesorio WFAEXT (juego de extensión de antena de Wi-Fi® de 4.6 m [15 pies]) para mover la antena del CAPXL/CAPXLV más arriba o a una ubicación donde detecte dos o más barras de señal.
- Si usa una herramienta o aplicación de intensidad de señal Wi-Fi®, debe garantizarse una conexión con una intensidad de señal de por lo menos -65 DBM (los números más cercanos a cero son los de intensidad más fuerte) en el CAPXL/CAPXLV para asegurar una conexión aceptable a la red local.
- Las SSID de red ocultas no son compatibles. La red debe poder seleccionarse desde la pantalla del CAPXL/CAPXLV.
- Las redes de Wi-Fi que requieren autenticación secundaria no son compatibles (p. ej., Wi-Fi de hoteles y aeropuertos).

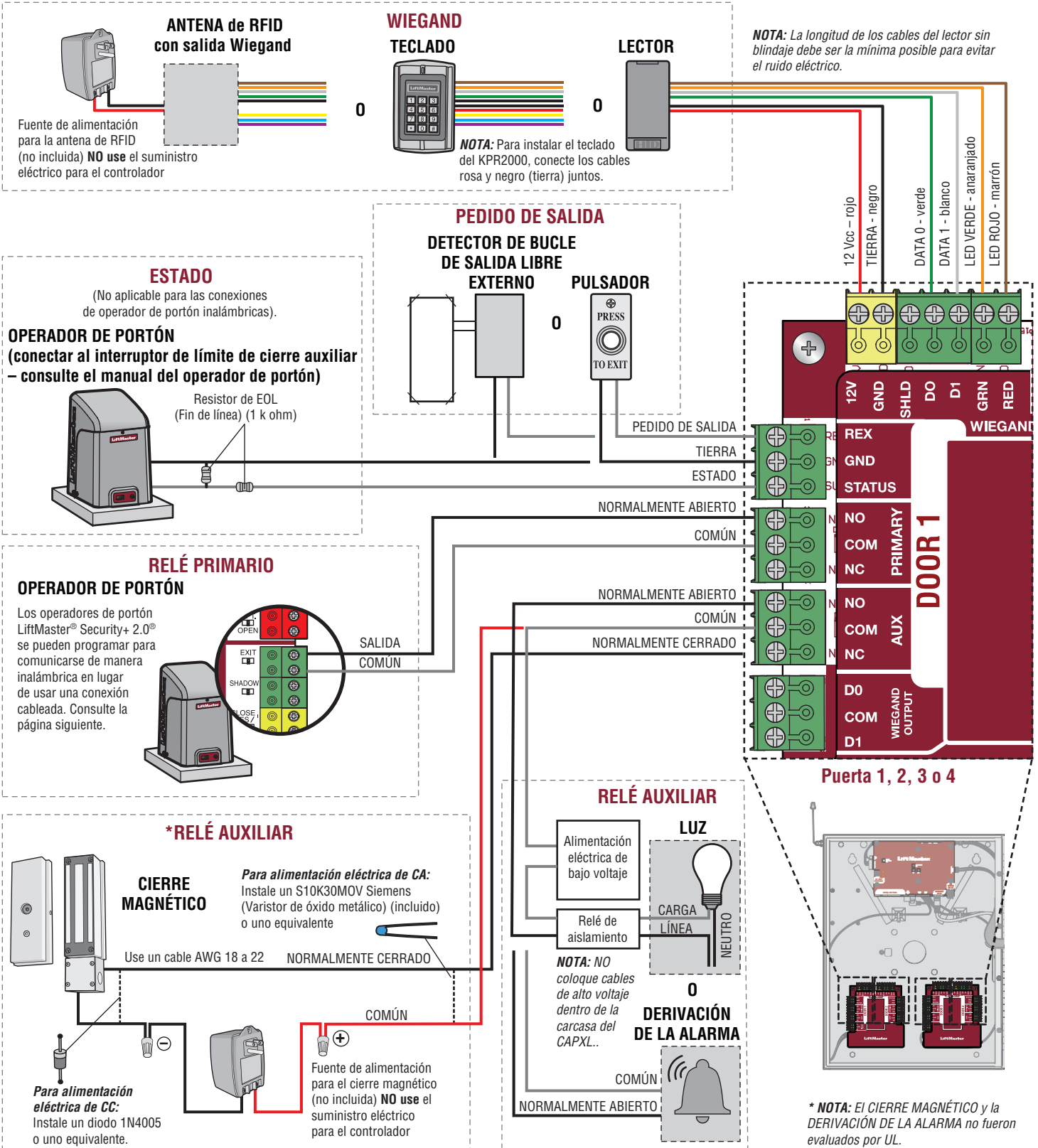
2 Validar configuración

En la pantalla, seleccione cada pestaña en el Modo Administrador para validar la configuración (red, entradas, salidas, etc.). Una vez que haya validado la configuración, salga del Modo Administrador.



Acceso de portón (cableado)

Desconecte la alimentación ANTES de realizar las conexiones eléctricas. A continuación encontrará un ejemplo de una configuración de cableado para el acceso de portón. El acceso de portón se puede conectar por cable a la puerta 1, 2, 3 o 4 en las tarjetas de puerta. LiftMaster® Security+ 2.0® también se pueden programar para comunicarse de manera inalámbrica en lugar de usar una conexión cableada (consulte la página siguiente).

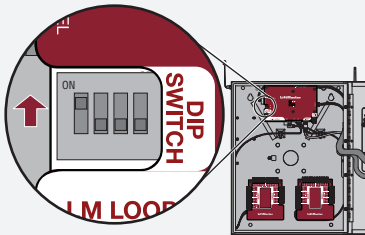


Acceso de portón (inalámbrico)

El CAPXL/CAPXLV puede comunicarse de manera inalámbrica con los operadores de portón que cumplen el estándar UL325 para enviar comandos de apertura, monitorear la posición del portón y enviar notificaciones de correo electrónico si ocurre un error en el operador (las notificaciones de correo electrónico se configuran en myQ® Business™). Hasta 8 operadores de portón se pueden asociar al CAPXL/CAPXLV, uno por cada relé primario y auxiliar. Si usa portones dobles, programe el CAPXL/CAPXLV al operador primario.

1 Entre en Modo Administrador

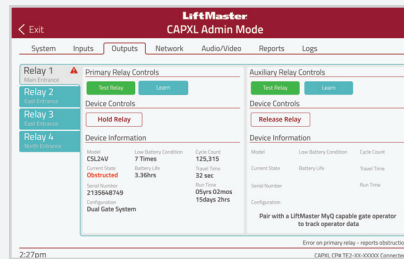
Cambie el interruptor DIP N.º 1 a la posición Encendido para ingresar al Modo Administrador.



NOTA: Para instalaciones nuevas, presione el botón de inicio de sesión sin ingresar información en los campos "Admin Username" (Nombre de usuario del administrador) y "Admin Password" (Contraseña del administrador).

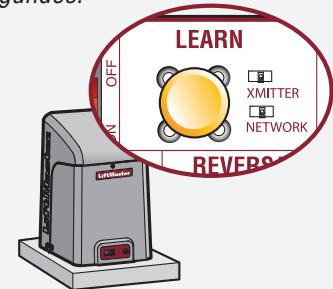
2 Seleccione las salidas y el relé

Seleccione la lengüeta "Outputs" (Salidas). Luego seleccione el relé deseado a la izquierda (1 a 4).



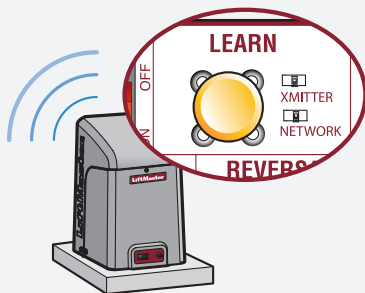
3 Presione el botón de APRENDIZAJE en el operador de portón

Presione y suelte el botón de Aprendizaje en el operador primario. Se encenderá el LED XMITTER verde. **NOTA:** El modo de programación del operador expirará después de 180 segundos.



4 Vuelva a presionar el botón de APRENDIZAJE en el operador de portón

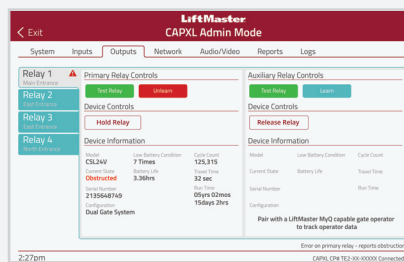
Vuelva a presionar y soltar el botón de APRENDIZAJE en el operador primario. Se encenderá el LED NETWORK amarillo.



5 Seleccione APRENDIZAJE en la pantalla

Seleccione el botón de APRENDIZAJE en la pantalla y el botón pasará de azul a rojo. Tanto el operador de portón como el CAPXL/CAPXLV emitirán una señal sonora y el LED de la RED en el operador de portón se apagará para indicar que la programación tuvo éxito.

NOTA: 4 señales sonoras/parpadeos indican que el operador primario no se ha programado. Vuelva a intentar realizar la programación desde otro operador.



6 Validación

Valide la funcionalidad seleccionando "Test Relay" (Probar relé) en la pantalla del CAPXL / CAPXLV.



Visite myQBusiness.com para obtener más información sobre cómo configurar las puertas para un enlace inalámbrico.

Acceso de puerta

Desconecte la alimentación ANTES de realizar las conexiones eléctricas. A continuación encontrará un ejemplo de una configuración de cableado para el acceso de puerta. El acceso de puerta se puede conectar por cable a la puerta 1, 2, 3 o 4 en las tarjetas de puerta.

WIEGAND

TECLADO



NOTA: Para instalar el teclado del KPR2000, conecte los cables rosa y negro (tierra) juntos.

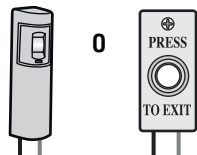
LECTOR



NOTA: La longitud de los cables del lector sin blindaje debe ser la mínima posible para evitar el ruido eléctrico.

PEDIDO DE SALIDA

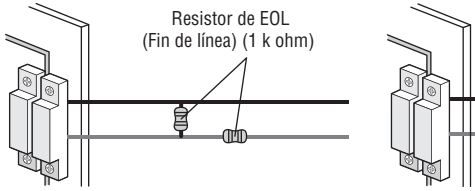
SENSOR DE PROXIMIDAD PULSADOR



SUPERVISADO (ESTADO DE LA PUERTA)

SENSOR DE LA PUERTA (SUPERVISADO)

SENSOR DE LA PUERTA (NO SUPERVISADO)

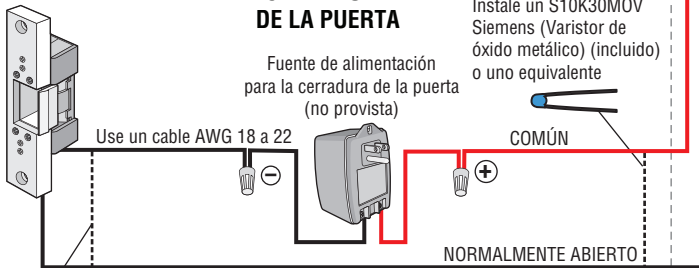


*RELÉ PRIMARIO

CERRADURA DE LA PUERTA

Fuente de alimentación para la cerradura de la puerta (no provista)

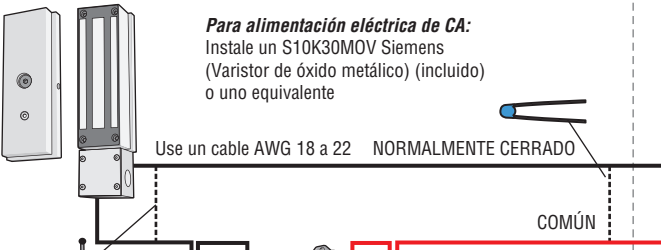
Para alimentación eléctrica de CA:
Instale un S10K30MOV Siemens (Varistor de óxido metálico) (incluido) o uno equivalente



Para alimentación eléctrica de CC:
Instale un diodo 1N4005 o uno equivalente.

CIERRE MAGNÉTICO MAGLOCK

Para alimentación eléctrica de CA:
Instale un S10K30MOV Siemens (Varistor de óxido metálico) (incluido) o uno equivalente

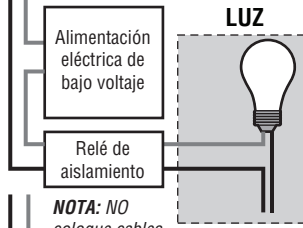


Para alimentación eléctrica de CC:
Instale un diodo 1N4005 o uno equivalente.

Fuente de alimentación para el cierre magnético (no incluida) **NO** use el suministro eléctrico para el controlador

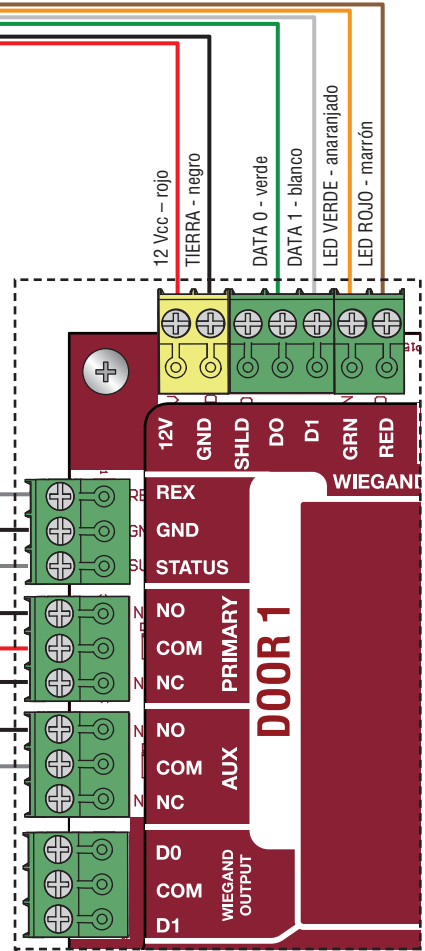
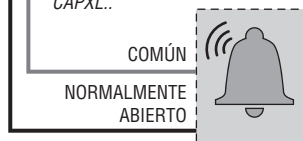
RELÉ AUXILIAR

LUZ

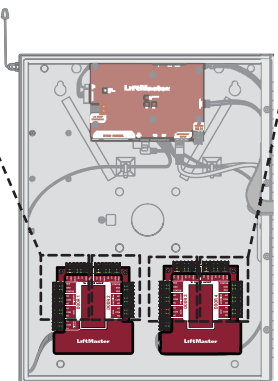


NOTA: NO coloque cables de alto voltaje dentro de la carcasa del CAPXL..

DERIVACIÓN DE LA ALARMA



Puerta 1, 2, 3 o 4

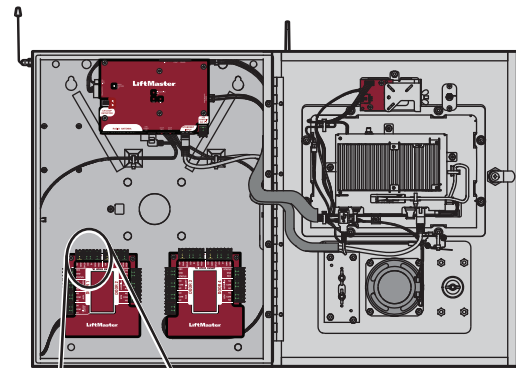
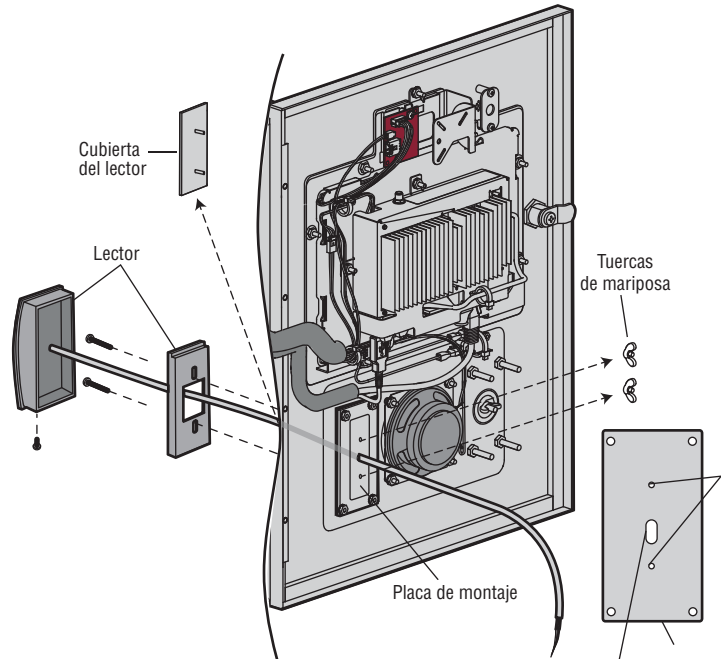


***NOTA:** El CIERRE MAGNÉTICO, la cerradura de la puerta y la DERIVACIÓN DE LA ALARMA no fueron evaluados por UL.

Lector de tarjeta

El CAPXL/CAPXLV está diseñado específicamente para el montaje del lector LMMC-MINI sobre la placa frontal.

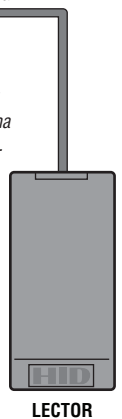
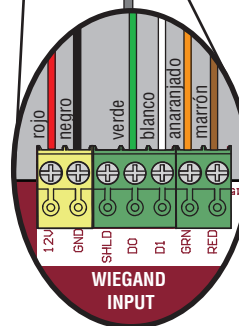
1. Desconecte la alimentación del CAPXL/CAPXLV.
2. Retire y deseche las tuercas de mariposa y la cubierta del lector del CAPXL/CAPXLV.
3. Instale el lector y fíjelo con los tornillos.
4. Coloque silicona alrededor del orificio del cable.
5. El lector se puede conectar a cualquiera de las 4 entradas Wiegand en las tarjetas de control de la puerta.
6. Desconecte la alimentación del CAPXL/CAPXLV.
7. Para ver la programación consulte los myQ® Business™.



Use un cable AWG 18 a 22

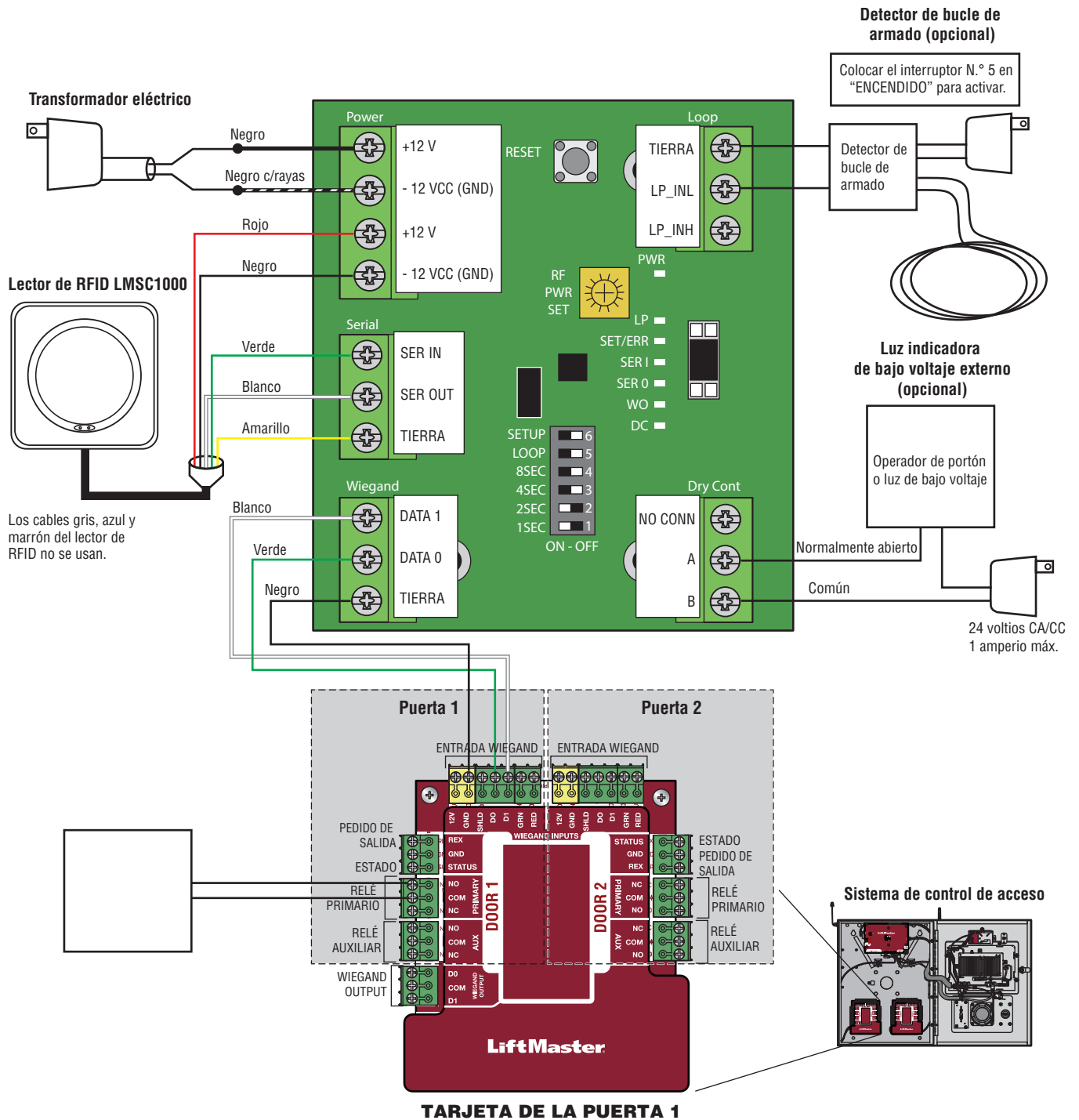
El lector está cableado a la ENTRADA WIEGAND

NOTA: La longitud de los cables del lector sin blindaje debe ser la mínima posible para evitar el ruido eléctrico.



LECTOR

Diagrama de cableado del lector de RFID LMSC1000 LiftMaster



Salida Wiegand

Desconecte la alimentación ANTES de realizar las conexiones eléctricas. El CAPXL/CAPXLV ofrece una salida Wiegand con una capacidad de transmisión de 26 bits de los siguientes datos:

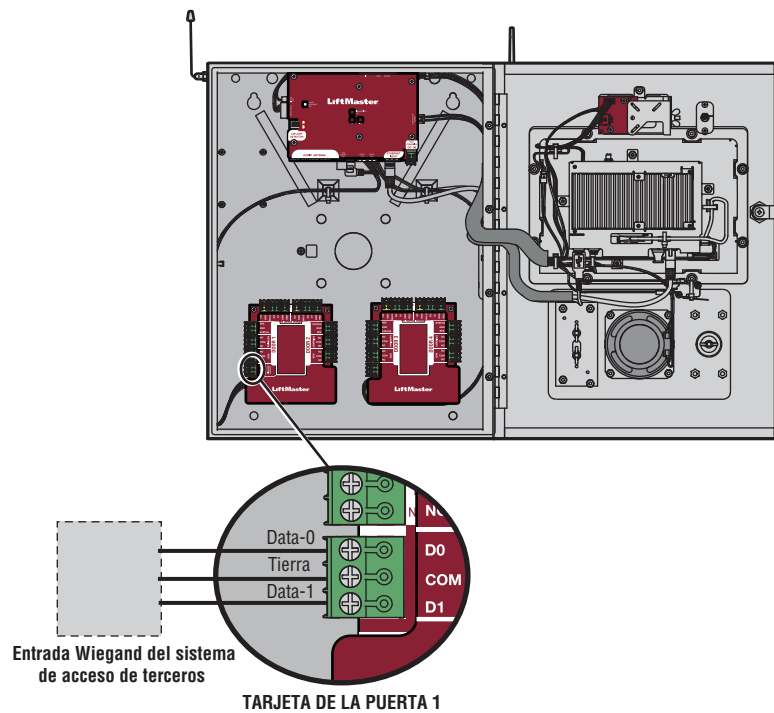
- Llamada exitosa con acceso otorgado por el residente. El CAPXL/CAPXLV proporcionará un código de instalación especificado por myQ® Business™ seguido por el código de directorio del residente que otorgó el acceso.

Y/o

- Acceso exitoso mediante el código de ingreso. El CAPXL/CAPXLV proporcionará un código de instalación especificado por myQ® Business™ seguido por el código de ingreso exitoso.

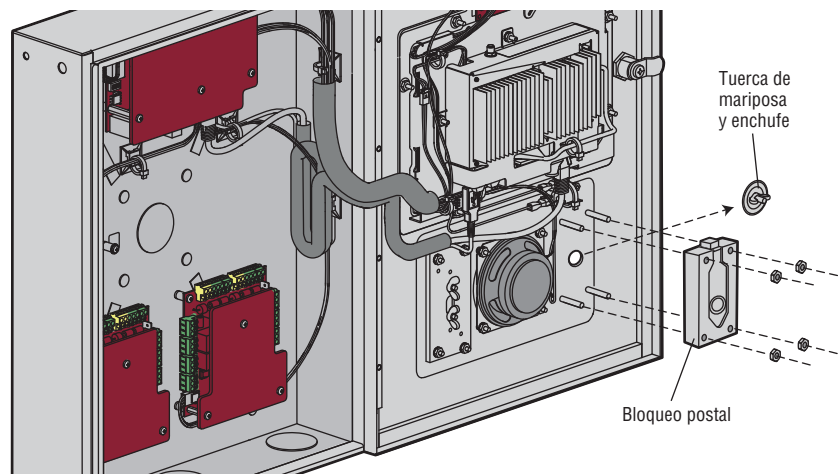
Y/o

- Acceso exitoso con una credencial Wiegand. El CAPXL/CAPXLV divulgará el código de instalación con credencial exitosa y la identificación.



Bloqueo postal

1. Retire la tuerca de mariposa y enchufe. Deseche la tuerca de mariposa y enchufe.
2. Retire las 4 tuercas de montaje de los montantes.
3. Instale el bloqueo postal usando las 4 tuercas del paso 3.
4. Corte el amarre de cable instalado de fábrica del interruptor de bloqueo postal.
5. El interruptor de bloqueo postal viene cableado de fábrica.



Actualizar CAPXL con CAPXLCAM

NOTE: CAPXLCAM es la única cámara USB compatible con las funciones de video de CAPXL y myQ® Business™. CAPXLCAM es la única cámara evaluada por UL para el uso con CAPXL.

ANTES DE INSTALAR LA CÁMARA

1. Tome nota de todos los ajustes de conectividad a Internet antes de realizar cualquier actualización de firmware. Cuando actualice el firmware, se eliminarán los ajustes de Internet. Vaya a la pantalla de conexión del CAPXL en modo administrador y anote o tome una foto de los ajustes.
2. Asegúrese de que el CAPXL esté ejecutando Firmware versión 2.0 o más reciente. Advertencia: El proceso de actualización de CAPXL requiere un reinicio y es posible que no funcione por hasta 30 minutos mientras se realice esta actualización. Asegúrese de que las puertas o los portones estén abiertos o que los residentes tengan un medio alternativo para ingresar a la comunidad durante este breve período antes de presionar el botón de actualizar en myQ® Business™. Esto puede exigir que haya un técnico en el sitio para garantizar el funcionamiento seguro y el flujo de residentes.
3. Inicie sesión en myQ® Business™ para actualizar el CAPXL a la última versión de firmware. Suspenda el suministro eléctrico desconectando la entrada de energía en la tarjeta de E/S.
4. Retire la tapa protectora de la LENTE del ensamblaje de la cámara.

NOTA: la tapa protectora de la lente se debe retirar antes de realizar el montaje en el CAPXL.

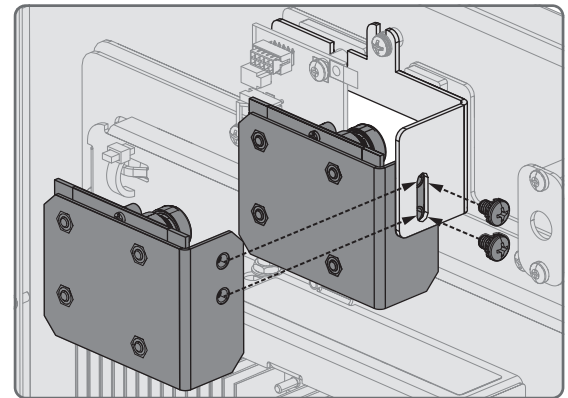
Instalación

1. Abra el CAPXL y retire la ménsula negra de la cámara (superior media) aflojando y retirando la tuerca mariposa.
2. Asegúrese de que la ventana de la cámara del CAPXL esté limpia y libre de obstrucciones. Se recomienda limpiar la ventana de la cámara con una toallita o un paño limpio.
3. Retire todos los artículos de la caja de envío y asegúrese de que no falte ningún artículo: ensamblaje de cámara, ménsula de cámara, cable USB y bolsa de herrajes de montaje.
4. Use los herrajes de montaje para sujetar la ménsula nueva con la cámara al CAPXL. Ajuste bien.
5. Use las pinzas para desenchufar el enchufe falso superior derecho de la entrada USB en la tarjeta de control (controlador). (Figura 1.A)
6. Se debe utilizar la entrada USB N.º 3 para conectar la cámara. El extremo Micro USB del cable USB se conecta a la cámara y el extremo USB estándar se conecta específicamente al puerto USB 3 (el puerto USB superior derecho en el controlador.) (Consulte la Figura 1.B)
7. Pase el cable USB y sujételo con las bandas de sujeción que se incluyen. (Figura 2)
8. Encienda la alimentación al CAPXL.
9. Ingrese al modo Administrador del CAPXL usando el interruptor dip N.º 1. Seleccione la pestaña "Audio/Video" y confirme si aparece la señal de video y si el ángulo y la orientación son correctos. (Figura 3)
10. Consulte la Guía de inicio rápido de myQ® Business™ y visite la sección de ayuda del sitio web de myQ® Business™ para ver los videos de tutorial y obtener más asistencia con la configuración de los funciones de la cámara. Las funciones tales como el registro de eventos, la función de vista del visitante y muchas otras se configuran en la[®] cuenta™ myQ Business.

Acceda a su[®] cuenta myQ™ Business en:
<https://www.myQBusiness.com>

myQ® Business™ Videos de ayuda y tutoriales:
<https://www.myQBusiness.com/Help>

NOTA: Las opciones tales como transmisión en vivo en myQ® Business™ requieren una suscripción de control de acceso.



Herramientas recomendadas

- Software de prueba de la red
- Aplicación Wi-Fi Analyzer
- Probador de cable de red LAN
- Destornillador Phillips
- Wi-Fi/Punto de acceso de Wi-Fi
- Pinzas

Contenido de la caja

- Ensamblaje de la cámara
- Ménsula de la cámara
- Cable USB
- Bolsa de herrajes de montaje (2x tornillos)

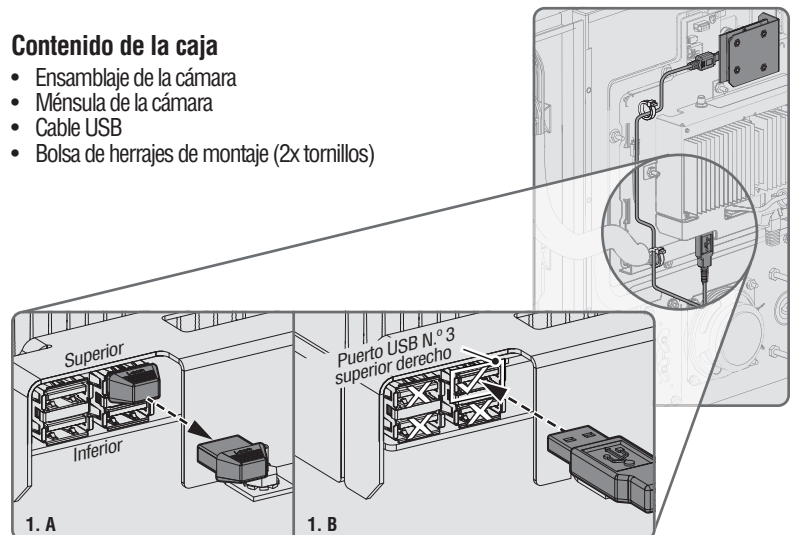


Figura 1. Retirar el USB falso y conectar el cable USB al puerto USB N.º 3 en el lado superior derecho del controlador.

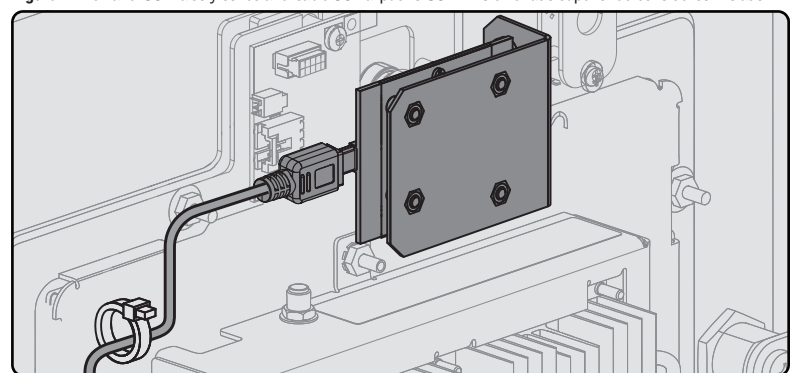


Figura 2. Pasar el cable USB.

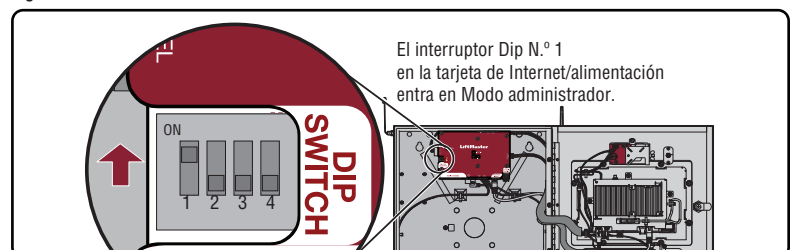


Figura 3. Modo Administrador.

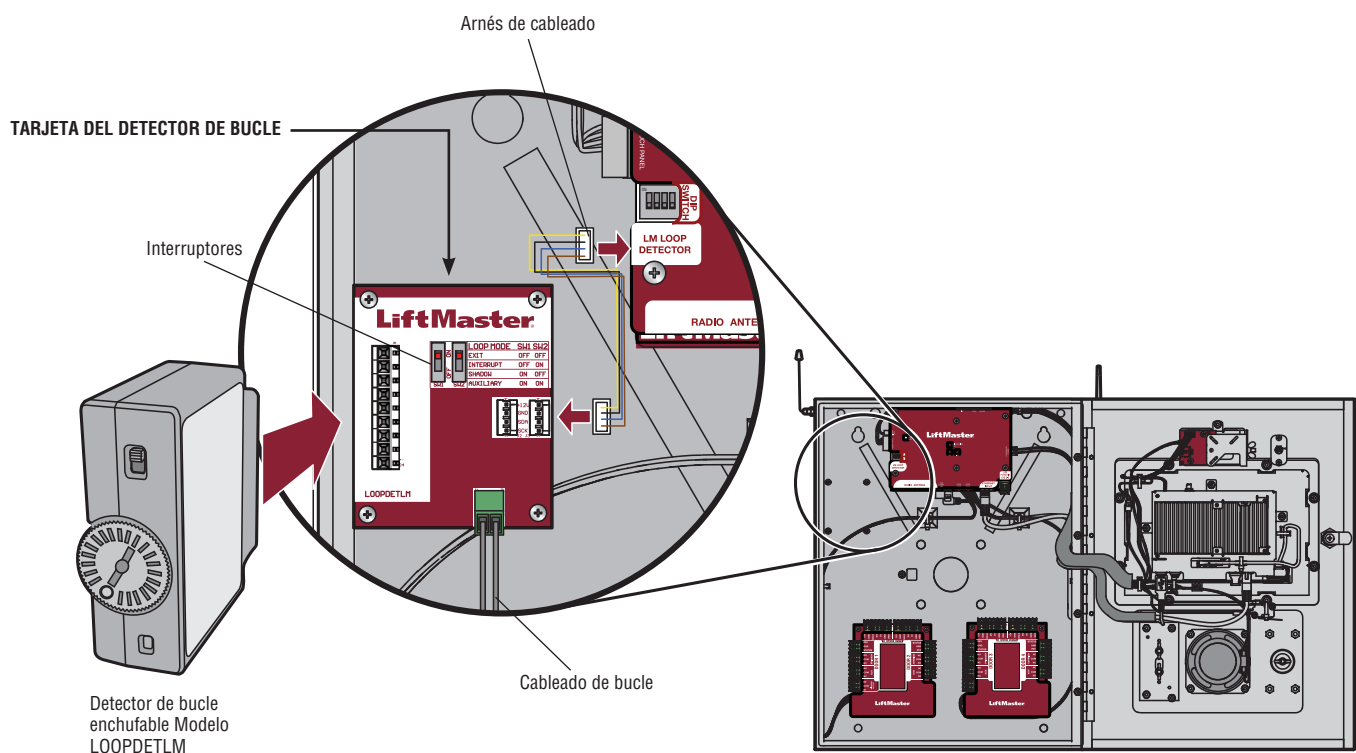
NOTA: Consulte la jurisdicción específica para determinar si se requiere una señalización específica para el uso del video y el monitoreo.

Función de llamada automática

Desconecte la alimentación ANTES de realizar las conexiones eléctricas. La tarjeta del detector de bucle (modelo LPEXP, no incluida) junto con el LOOPDETM, brinda la función de llamado automático que está disponible a través de la configuración del interruptor auxiliar. La LPEXP y el LOOPDETM se pueden adquirir como un juego (LPEXPKIT). Cuando el bucle detecta un vehículo, el número programado en el campo de "Llamada rápida" myQ® Business™ se marca automáticamente.

1. Asegure la tarjeta del detector de bucle (modelo LPEXP) a los separadores en el CAPXL/CAPXLV con los tornillos que se proporcionan.
2. Conecte el arnés de cables de la tarjeta del detector de bucle a la tarjeta de Internet/alimentación.
3. Conecte los cables del bucle a la entrada en la tarjeta del detector de bucle.
4. Detector de bucle enchufable (modelo LOOPDETM).
5. Coloque ambos interruptores en la tarjeta del detector de bucle en ENCENDIDO (configuración auxiliar).
6. Active la entrada de bucle en la pantalla principal de administrador del CAPXL / CAPXLV (alterne el interruptor dip N.º 1)

MODO DE BUCLE	SW1	SW2
SALIDA	No admitido	
INTERRUPT	No admitido	
ACCESO OCUPADO	No admitido	
AUXILIAR	ENCENDIDO	ENCENDIDO

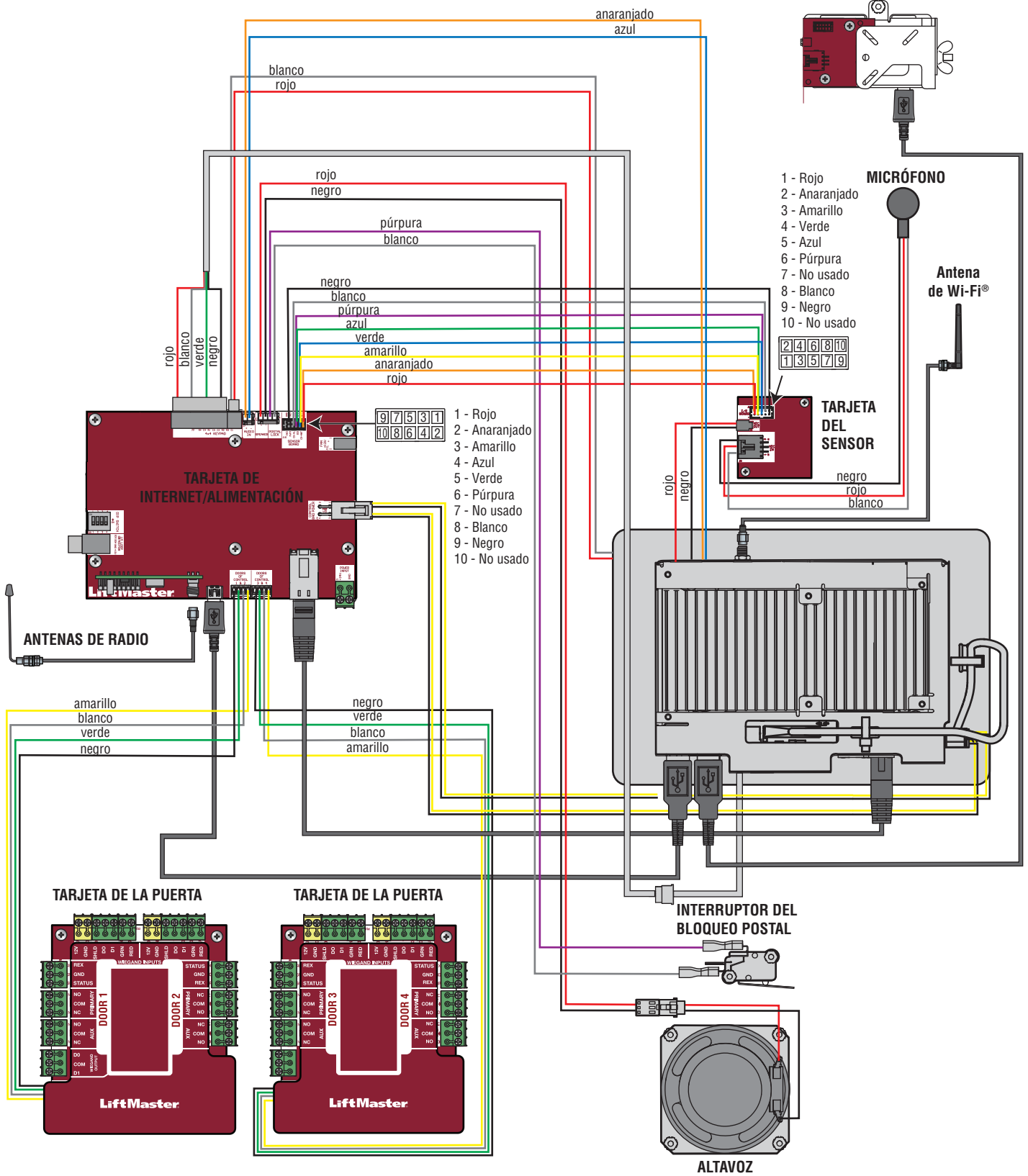


NOTA: La tarjeta del detector de bucle no fue evaluada por UL.

Diagrama de cableado

⚠ PRECAUCIÓN

No nos hacemos responsables por los conflictos entre la información detallada en el diagrama de cableado y los requisitos de sus códigos de construcción locales. La información es para el uso sugerido ÚNICAMENTE. Verifique sus códigos locales ANTES de realizar la instalación.



Piezas de repuesto

ELEMENTO	NÚMERO DE PIEZA
Leva y juego de cerradura	K002B0799-3
Alimentación de energía	K002A1978
Juego de antena Wi-Fi®	K76-38957
Juego de antena de radio	K76-38958
Juego de placa frontal	K41-0104-000
Tarjeta del sensor	K001D8592
Ventana de cámara y junta	K41-0110-000
Pantalla táctil	K41-0103-000
Tablero de control	K41-0112-000
Tarjeta de Internet/alimentación	K001D8439
Tarjeta de la puerta y cubiertas	K001D8478
Juego de micrófono	041B0692
Placa de montaje del lector	K012B1067
Interruptor del bloqueo postal	K041B0996-1
Ensamblaje de carcasa trasero	K75-38330
Juego de cableado	K94-38407
Altavoz	K002B1910
Ensamblaje de placa frontal y pantalla	K41-0117-000

Accesorios

ELEMENTO	NÚMERO DE PIEZA
Caja trasera y juego adaptador	CAPXLTk
Lector Multi-class SE RP10 Mini Mullion	LMMC-MINI
Extensión de la antena de radio 4.57 m (15 pies)	86LM
Wi-Fi® Extensión de la antena 4.57 m (15 pies)	WFAEXT
Lector de identificación por radiofrecuencia (RFID) de gran alcance	LMSC1000
Teclado Wiegand/Lector de proximidad	KPR2000*
Tarjeta de entrada del detector de bucle	LPEXP
Modem 4G/LTE celular	CAPCELL
Portal de acceso conectado de 2 puertas	CAP2D
Todos los operadores de portón LiftMaster® myQ®/compatibles con las normas UL325	
Control remoto de 3 botones para parasol Passport MAX	PPV3M
Minicontrol remoto de 3 botones Passport MAX	PPK3M
Minicontrol remoto de 3 botones con sensor de proximidad Passport MAX	PPK3PHM
Control remoto de 1 botón para parasol Passport Lite	PPLV1-X**
Control remoto de 1 botón para llavero Passport Lite	PPLK1-X**
Minicontrol remoto de 1 botón con sensor de proximidad Passport Lite	PPLK1PH-X**
Juego de cámara USB nueva	CAPXLCAM
Lector de identificación por radiofrecuencia (RFID) de gran alcance	LMSC1000
Etiqueta de RFID universal (parabrisas/faro)	LMUNTG
Etiqueta de RFID colgante vehicular	LMHNTG

* KPR2000 verificado para uso complementario únicamente

** Disponible en paquetes de 10 y 100, reemplazar la X con 10 o 100

NOTA: En LiftMaster.com se mantiene una lista actualizada de lectores y teclados compatibles. Si tiene un modelo específico de lector o teclado que no está detallado en el sitio web de LiftMaster, comuníquese con el Soporte Técnico de LiftMaster para determinar la compatibilidad.

Hoja de configuración

A continuación, registre la información del dispositivo y los ajustes de configuración.

Nombre del CAPXL/CAPXLV:

NOTA: Todo usuario del sistema está sujeto a los términos que se detallan en el Contrato de Licencia de Usuario Final (EULA).

Notas:

CONFIGURACIÓN DEL DISPOSITIVO:

PUERTA 1	NOMBRE DE LA PUERTA O EL PORTÓN:		
ENTRADAS	WIEGAND	REX	ESTADO
			Fin de línea (S/N):
SALIDAS	RELÉ PRIMARIO		RELÉ AUXILIAR
	N.O.	N.C.	N.O. N.C.
Notas:			

PUERTA 2	NOMBRE DE LA PUERTA O EL PORTÓN:		
ENTRADAS	WIEGAND	REX	ESTADO
			Fin de línea (S/N):
SALIDAS	RELÉ PRIMARIO		RELÉ AUXILIAR
	N.O.	N.C.	N.O. N.C.
Notas:			

PUERTA 3	NOMBRE DE LA PUERTA O EL PORTÓN:		
ENTRADAS	WIEGAND	REX	ESTADO
			Fin de línea (S/N):
SALIDAS	RELÉ PRIMARIO		RELÉ AUXILIAR
	N.O.	N.C.	N.O. N.C.
Notas:			

PUERTA 4	NOMBRE DE LA PUERTA O EL PORTÓN:		
ENTRADAS	WIEGAND	REX	ESTADO
			Fin de línea (S/N):
SALIDAS	RELÉ PRIMARIO		RELÉ AUXILIAR
	N.O.	N.C.	N.O. N.C.
Notas:			

Exenciones de responsabilidad

Conformidad con la Comisión Federal de Comunicaciones (FCC, por sus siglas en inglés)

Este equipo ha sido verificado y cumple con los límites para un dispositivo digital de Clase B, conforme con la Parte 15 de las normas de la FCC. Estos límites están diseñados para brindar una protección razonable contra interferencias perjudiciales en una instalación residencial o cuando el equipo es operado en un entorno comercial. Este equipo genera, usa y puede emitir energía de radiofrecuencia. Si no se instala y utiliza de acuerdo con las instrucciones podrá causar interferencia con comunicaciones radiales. Aun así, no hay garantía de que no se produzcan interferencias en una instalación particular. Si este equipo produce interferencias perjudiciales en la recepción de radio o televisión, lo cual puede determinarse apagando y encendiendo la unidad, el usuario debe tratar de corregir el problema por medio de lo siguiente:

- Aumentar la distancia entre el equipo y el receptor.
- Conectar el equipo a un circuito distinto del circuito al que está conectado el receptor.
- Pedir ayuda al distribuidor.

Conformidad con Underwriters Laboratories (UL) de Canadá

El CAPXL/CAPXLV se deberá instalar en conformidad con la Parte 1 del Código Eléctrico de Canadá.

Aviso de documentación y restricciones

La información contenida en este documento está sujeta a cambios sin previo aviso y no representa un compromiso de parte de LiftMaster. Para obtener la información más actualizada, visite LiftMaster.com.

Este documento y los datos incluidos en el presente no se deberán duplicar, utilizarse o divulgarse a otros para la adquisición o fabricación, excepto en los casos en que se cuente con una autorización por escrito de LiftMaster. La información que contiene este documento o el mismo producto se considera propiedad exclusiva de LiftMaster. Toda la información de este documento o de los productos de hardware y software en sí está protegida por las leyes de propiedad de autor u otras leyes de propiedad intelectual de los Estados Unidos.

Resistencia de la Unidad de control UL 294: Nivel 4, Seguridad de la línea: Nivel 2, Ataque destructivo: Nivel 1, Energía de reserva: Nivel 1

AVISO: Este dispositivo cumple con la parte 15 de la reglamentación de la FCC y los estándares RSS exentos de licencia de Innovación, Ciencia y Desarrollo Económico de Canadá. La operación está sujeta a las dos condiciones siguientes: (1) este dispositivo no puede causar interferencia perjudicial, y (2) este dispositivo debe aceptar cualquier interferencia recibida, incluyendo la interferencia que puede causar una operación no deseable. Cualquier cambio o modificación no expresamente aprobada por la parte responsable del cumplimiento podría anular la autoridad del usuario para operar el equipo.

Instalar este dispositivo de manera que quede una distancia mínima de 20 cm (8 pulg.) entre el dispositivo y los usuarios/transeúntes.

Este equipo ha sido verificado y cumple con los límites para un dispositivo digital de Clase B, conforme con la Parte 15 de las normas de la FCC y el estándar ICES de Industry Canada. Estos límites se establecen para brindar un nivel razonable de protección contra interferencias perjudiciales en instalaciones residenciales. Este equipo genera, usa y puede emitir energía de radiofrecuencia. Si no se instala y utiliza de acuerdo con las instrucciones podrá causar interferencia con comunicaciones radiales.

Aun así, no hay garantía de que no se produzcan interferencias en una instalación particular. Si este equipo produce interferencias perjudiciales en la recepción de radio o televisión, lo cual puede determinarse apagando y encendiendo la unidad, el usuario debe tratar de corregir el problema por medio de lo siguiente:

- Volver a orientar o reubicar la antena receptora.
- Aumentar la distancia entre el equipo y el receptor.
- Conectar el equipo en una salida de un circuito distinto del circuito al que está conectado el receptor.
- Consultar con el distribuidor o con un técnico de radio/TV experimentado para pedir ayuda.

AVISO: Al montar el CAPXL/CAPXLV en una entrada peatonal, instale la parte superior de la pantalla del CAPXL/CAPXLV a una distancia que no supere las 54 pulgadas del suelo a fin de cumplir la ley ADA.

NOTA: Al instalar el CAPXLV o adaptarlo con una cámara de video, consulte en la jurisdicción local si existen requisitos específicos como una señalización física.

Garantía

LiftMaster garantiza al primer comprador de este producto, para la estructura en la que se instale originalmente este producto, que este mismo está libre de defectos de materiales y de mano de obra por un período de dos años a partir de la fecha de compra.

El funcionamiento correcto de este producto depende de que usted cumpla con las instrucciones referentes a la instalación, el funcionamiento, el mantenimiento y la prueba. Si no cumple estrictamente estas instrucciones, se anulará por completo esta garantía limitada.

Si, durante el período de garantía limitada, este producto parece contener un defecto cubierto por esta garantía limitada, comuníquese al número gratuito 1-800-528-2806 antes de desmontar el producto. A continuación, envíe este producto, una vez que sea pagado por anticipado y asegurado, a nuestro centro de servicio, con el fin de realizar la reparación, cubierta por la garantía. Los productos devueltos al Vendedor para la reparación cubierta por la garantía, los cuales una vez recibidos por el Vendedor se confirme que son defectuosos y que están cubiertos por esta garantía limitada, serán reparados o reemplazados (a opción única del Vendedor) sin costo para usted y serán devueltos con el porte pagado. Las partes defectuosas serán reparadas o reemplazadas a opción única del Vendedor por partes nuevas o reconstruidas de fábrica.

ESTA GARANTÍA LIMITADA SUSTITUYE A OTRAS GARANTÍAS EXPRESAS O IMPLÍCITAS, INCLUYENDO CUALQUIER GARANTÍA IMPLÍCITA DE COMERCIALIZACIÓN O DE ADECUACIÓN PARA UN PROPÓSITO PARTICULAR, O DE CUALQUIER OTRA ÍNDOLE, ADEMÁS DE CUALQUIER OTRA OBLIGACIÓN O RESPONSABILIDAD POR PARTE DEL VENDEDOR. ESTA GARANTÍA LIMITADA NO CUBRE DAÑOS NO RELACIONADOS CON DEFECTO ALGUNO DEL PRODUCTO, DAÑOS CAUSADOS POR LA INSTALACIÓN, LA OPERACIÓN O EL CUIDADO INCORRECTOS (QUE INCLUYEN, ENTRE OTROS, ABUSO, USO INDEBIDO, FALTA DE MANTENIMIENTO RAZONABLE Y NECESARIO, REPARACIONES NO AUTORIZADAS O CUALQUIER ALTERACIÓN A ESTE PRODUCTO), NI LOS CARGOS DE MANO DE OBRA PARA VOLVER A INSTALAR UNA UNIDAD REPARADA O DE REPUESTO, O PARA EL REEMPLAZO DE BATERÍAS.

BAJO NINGUNA CIRCUNSTANCIA, EL VENDEDOR SERÁ RESPONSABLE DE DAÑOS EMERGENTES, INCIDENTALES O ESPECIALES QUE SURJAN EN RELACIÓN CON EL USO O CON LA INCAPACIDAD DE USO DE ESTE PRODUCTO. EN NINGÚN CASO, LA RESPONSABILIDAD DEL VENDEDOR POR INCUMPLIMIENTO DE LA GARANTÍA, RESCISIÓN DEL CONTRATO, NEGLIGENCIA O RESPONSABILIDAD ESTRUCTA DEBERÁ EXCEDER EL COSTO DEL PRODUCTO CUBIERTO POR ESTA GARANTÍA. NINGUNA PERSONA ESTÁ AUTORIZADA A ASUMIR POR NOSOTROS NINGUNA RESPONSABILIDAD EN RELACIÓN CON LA VENTA DE ESTE PRODUCTO.

Algunos estados no permiten la exclusión o la limitación de daños emergentes, incidentales o especiales, de manera que es posible que la anterior limitación o exclusión no se aplique a su caso. Esta garantía limitada le proporciona derechos legales específicos y usted también puede tener otros derechos que varían según el estado.

Wi-Fi® is a registered trademark of Wi-Fi Alliance®.
Wi-Fi® est une marque déposée de Wi-Fi Alliance®.
Wi-Fi® es una marca comercial registrada de Wi-Fi Alliance®.

© 2020 LiftMaster
All Rights Reserved.
Tous droits réservés.
Todos los derechos reservados.