

SMART VIDEO INTERCOM - L CAPXLV

SECTION 28 13 00

KEY FEATURES

UNIT INTERFACE CAPABILITIES

Touchscreen/voice/PIN/card/transmitter/RFID tag

SCHEDULING CAPABILITIES

Yes

RADIO RECEIVER

Included

WIRELESS COMMUNICATION

Yes**

SPECIFICATIONS

DATA CONNECTIVITY

Wi-Fi/cellular/wired high-speed internet/DSL

VOICE COMMUNICATION

Wi-Fi/cellular/wired high-speed internet/DSL

CALLING CONNECTIVITY

VoIP (Phone.com)

POWER SUPPLY

120VAC to 24VDC transformer (included)

PROGRAMMING (DATABASE MANAGEMENT)

Cloud (myQ® Community)

REMOTE PROGRAMMING (DATABASE MANAGEMENT)

Yes

REALTIME EVENT MONITORING (EMAIL NOTIFICATIONS)

Yes

SOFTWARE

myQ Community

WIEGAND INPUT DATA FORMAT

26 Bit, 30 bit, 37 bit (HID), 37 bit (Transcore), and 32 bit (MiFare)

WIEGAND OUTPUT DATA FORMAT

26 Bit

LOCAL USER CAPACITY PER UNIT

50,000

LOCAL EVENT HISTORY PER UNIT

50,000

MAX NUMBER OF GATES/DOORS OF CONTROL (EACH)

4

WIEGAND INPUT

4

RELAY OUTPUT

8 (4 primary, 4 auxiliary)

MOUNTING OPTIONS

Surface/flush/gooseneck

OPERATING TEMPERATURE

-20°F to 130°F (-29°C to 54°C)

DISPLAY TYPE

10 inch full color touch screen with Picture-in-Picture

DISPLAY RESOLUTION

720p high definition

INTEGRATED VIDEO CAMERA

Yes

ANTI-TAMPER ALARM

Yes

WARRANTY

2 years

CONSTRUCTION

ENCLOSURE MATERIAL

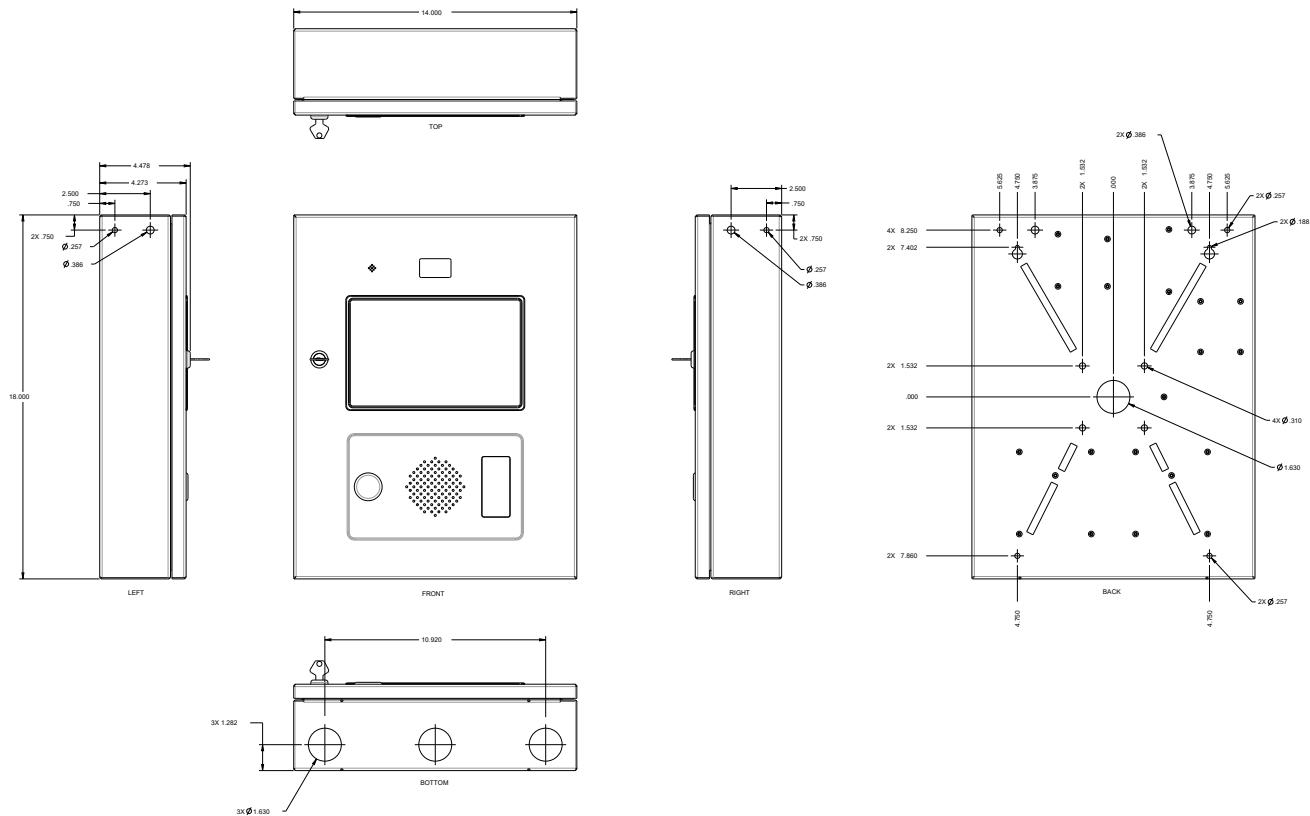
Stainless steel



SMART VIDEO INTERCOM - L CAPXLV

SECTION 28 13 00

DIMENSIONS



RANGE

CAPXLV Feature	Wired	Wireless	Wire type	Range
Power 120VAC to 24VDC transformer (from outlet to controller)	x		2 wire (14 AWG) 2 wire (16 AWG) 2 wire (18 AWG)	Up to 300 ft. Up to 200 ft. Up to 100 ft.
Wiegand accessory wiring	x		7 wire (18-22 AWG)	Up to 500 ft.
Relay output wiring	x		2 wire (18-24 AWG)	Up to 2500 ft.
Exit Request (REX)	x		2 wire (18-24 AWG)	Up to 500 ft.
Supervised input	x		2 wire (18-24 AWG)	Up to 500 ft.
RJ-45 Internet	x		CAT5 or better 8 strand (24 AWG)	Up to 328 ft.
Wireless link to LiftMaster® Operators		x	N/A	Up to 1000 ft.*
Wi-Fi		x	N/A	Up to 500 ft.**

*When used with LiftMaster® operators with Security+ 2.0® Radio

**When used with LiftMaster® Gate Operator mfg. after Nov. 2017

© 2021 The Chamberlain Group, Inc. All Rights Reserved.
LiftMaster, the LiftMaster logo, are registered trademarks
of the Chamberlain Group, Inc.

LiftMaster.com
LMARENDSCPXLV 8/21

LiftMaster