

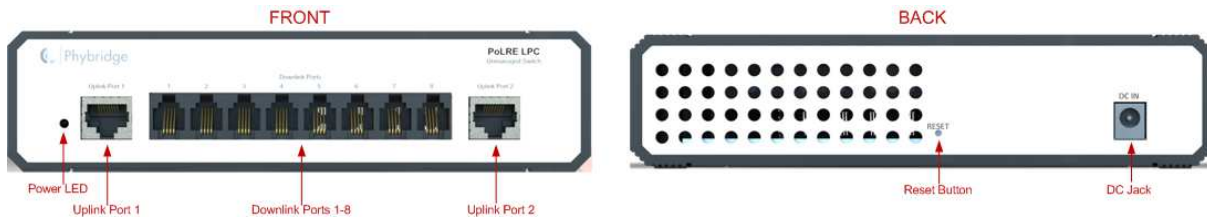
Install Guide

PoLRE[®] Switch – Model PL-08

Beyond PoE: Delivering Power over Long Reach Ethernet

The PoLRE (Power over Long Range Ethernet) family of data switches delivers Ethernet and Power over Ethernet on a single pair of telephony grade wire (CAT3) with 4 times the reach of traditional data switches. With the PoLRE switch customers can transform their existing voice infrastructure into an IP network with power ideal for IP telephony deployment.

The PoLRE Switch model PL-08



PoLRE Switch Package Includes:

1. 1 x PoLRE Switch model PL-08
2. 1 x AC/DC Power Adapter
3. 1 x power cable
4. Quick Install Guide
5. 2 x PhyLink Adapters

PhyLink Adapter

RJ11 Port to
PoLRE Switch



RJ45 Port to
IP Device

Installation Considerations

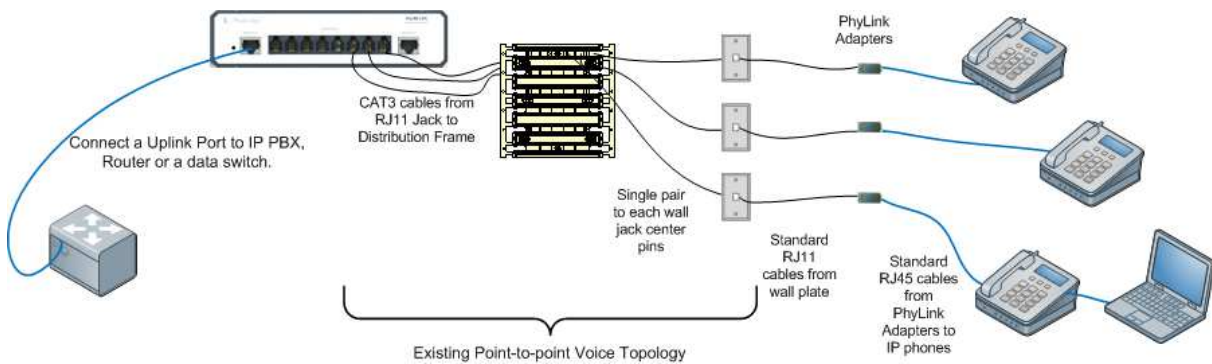
Location Requirements

Power - The AC/DC Power Adapter must be placed within 6 feet of an available power source. Do not use an extension cord to connect the equipment to a power outlet.

Installation procedures will be trouble-free if you ensure that the following items are available before you begin:

- The PoLRE switch model PL-08, and all cables and accessories you received in the PoLRE package.
- All PhyLink Adapters required for connecting the IP endpoint devices.
- Standard CAT5 copper LAN cables for the uplink trunks (user-supplied).
- Standard CAT3 unshielded single twisted pair cables, 24 AWG, for the downlink ports (user-supplied).

Hardware Topology and Installation Overview



1. Remove the PoLRE switch and all accompanying accessories.
2. Remove all legacy analog/digital phones from the RJ11 wall jacks.
Note: It is extremely important that no legacy phones be connected when you power on the PoLRE switch.
3. Connect a PhyLink adapter to the Network jack on each IP phone and connect the other end of the PhyLink adapter into the RJ11 cable that is connected to wall jack.
Note: Do not locally power an IP phone while using the PhyLink adapter.
4. Connect the RJ11 plugs to the RJ11 jacks on the PoLRE Switch.
5. Connect the CAT5 cable from an Uplink port to the IP PBX or network switch.
6. Connect the DC Power Adapter Plug to the DC Jack located at the back of the PoLRE Switch.
7. Power up the PoLRE Switch.

Note the following:

All of the above instructions provide basic installation information, necessary for the proper and safe functioning of this equipment. Persons installing or maintaining this product must read all of the safety instructions and the parts of system grounding which are applicable to the system being maintained. Only trained, qualified service personnel shall install or maintain this product.



WARNING: FAILURE TO FOLLOW ALL INSTRUCTIONS MAY RESULT IN IMPROPER EQUIPMENT OPERATION AND/OR RISK OF ELECTRICAL SHOCK.



WARNING: ANY CONNECTION TO AN OUTSIDE PLANT LEAD, AN OFF-PREMISE APPLICATION, OR ANY OTHER EXPOSED PLANT APPLICATION MAY RESULT IN A FIRE OR SHOCK HAZARD, AND/OR DEFECTIVE OPERATION, AND/OR EQUIPMENT DAMAGE.

- Keep these instructions with the equipment.
- Do not attempt to install or service this equipment unless you are skilled in the installation and maintenance of electronic telecommunications equipment and have successfully completed specific training for this equipment.

Technical Support

The **Phybridge Technical Support Group** is available to assist you with product installation, configuration, monitoring and troubleshooting procedures. Should you experience trouble with this equipment or for repair or warranty information, please contact Phybridge Inc. at **+1 905.901.3633** or support@phybridge.com.



Safety Warnings and Precautions

Access to the interior of this unit shall be made only by a qualified technician.	Der Zugang ins Innere des Gerätes ist nur einem fachlich qualifizierten Techniker gestattet.	Seul un spécialiste doit avoir accès l'appareil.	El servicio de mantenimiento y reparación de esta unidad solo puede ser realizado por técnicos autorizados por el fabricante.
To ensure adequate cooling of the equipment, a 2-inch unobstructed space must be provided at the back of the unit.	Um die Kühlung des Gerätes nicht zu beeinträchtigen, ist es notwendig, einen Raum von etwa 5 cm auf der Rückseite des Geräts vorhanden.	Afin de ne pas nuire au processus de refroidissement, il est nécessaire de laisser un espace d'environ 5 cm à l'arrière de l'appareil.	Para garantizar una refrigeración adecuada de la máquina, un 5 cm de espacio libre se proporciona en la parte posterior de la unidad.
To prevent the risk of shock or fire hazard, replace fuse with same type and rating.	Zur Vermeidung der Stromschlag - und Feuergefahr beim Auswechseln Sicherungen des gleichen Typs und der gleichen Nennleistung einsetzen.	Afin d'éviter tout risque d'incendie ou d'électrocution, remplacez les fusibles par des fusibles de même type et de même ampérage.	Para su propia protección, cerciórese de que todas las conexiones eléctricas de los servicios públicos, incluyendo la puesta a tierra, las líneas telefónicas y el sistema de tuberías de agua metálicas internas, si las hubiera, estén conectadas entre sí.

Technical specifications

Dimensions	4.5cm x 17.8cm x 12cm (HxWxD) 1.77" x 7.01" x 4.72" (HxWxD)
Weight	0.308 kg (0.679 lbs.)
Interface: Ethernet uplink (Trunk IP)	2 RJ45 ports: 10/100 Base-T autosensing, independent speed selection, Ethernet IEEE 802.3, CAT5 copper cable
Interface: Downlink (PoE and IP to adapter)	8 x RJ11 Jacks Maximum distance: 1200' (365m) CAT3 UTP cable, 24 AWG Speed: 10Mb/s (full duplex) PoE power: 10 Watts
Power supply	48VDC
Power consumption	2.9W (PoLRE unit)
Power injection (PoE)	48VDC Endpoint devices must be compliant with IEEE 802.3af
Operating temperature	-10°C to 50°C
Humidity	10% to 95% (non-condensing) at 35°C

Compliance and Environmental information

All the compliance and environmental information is available on our website www.phybridge.com.

Contact

Phybridge Inc.
2115 South Service Road West
Oakville, Ontario
L6L 5W2
Canada

Toll-free: (888) 901-3633

www.phybridge.com