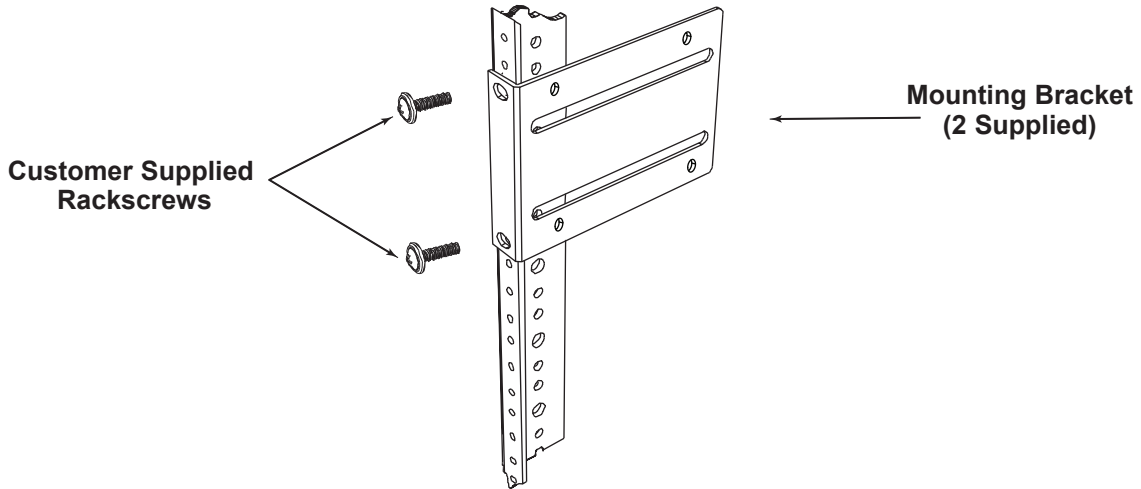


# INSTALLATION INSTRUCTIONS

## PB-5A

### POWERSTRIP MOUNTING BRACKET

- 1) Install the PB-5A to the rackrail using customer supplied rackscrews.



- 2) Using a #2 Phillips screwdriver, install the quick clips to the brackets using screws and nuts provided with the power strip. (The screws/nuts can be installed into any of the four holes or the two slots).
- 3) Snap the power strip into the quick clips.

