

We make safe and  
sound work.



**EATON**

*Powering Business Worldwide*



# We make safe & sound work



*Powering Business Worldwide*

## **Life safety notification**

When it comes to protecting life and property, there's no room for compromise. The leading solutions for life safety and mass notification from Eaton are designed to save lives. In the most demanding industrial and commercial environments, we make safe and sound work. Because that's what really matters.

Learn more about Eaton's latest solutions, including Wheelock, SAFEPATH, and Eluxa, by visiting our website or contacting us directly at [LifeSafety@Eaton.com](mailto:LifeSafety@Eaton.com).

[Eaton.com/Lifesafetynotification](http://Eaton.com/Lifesafetynotification)



# Expertise built on experience

Eaton is the industry's foremost developer in advanced technological solutions for fire, life safety and mass notification. For nearly a century, its Wheelock products have stood for innovation, service and expertise. A trusted product line with proven experience, Wheelock offers industry-first, patented technology for the largest range of audible and visual notification appliances. Eaton continues to deliver on our commitment to provide customers with innovative product solutions, exceptional value and outstanding service.

## Eaton

### Life safety & mass notification solutions

273 Branchport Avenue

Long Branch, NJ 07740

P: (800) 631-2148 F: (732) 222-8707

## Table of Contents

### Life Safety Notification

Audible/Visual Appliances	5
Horns and Horn Strobes	8
Sounders and Sounder Strobes	18
Strobes	20
Amber & Colored Lens Appliances	24–26, 32, 35, 37
Chimes and Chime Strobes	27
Bells	28
Weatherproof Appliances	30
Speakers and Speaker Strobes	34, 36, 38-40
Supervised Horns and Cluster Speakers	41-43
Manual Pull Stations	44
Sync Modules and Power Supplies	46
Accessories	49

### Explosion-Proof and Hazardous Signaling

Strobes	62
Horns, Speakers and Combo Units	70
Explosion-Proof and Hazardous Location Call Points, Bells, Relay	74

### Industrial Signals

Strobes	79
Multitones and Multitone Strobes	81
Bells	84
Horns	87

### Telephone Signaling and Commercial Audio

Telephone Signaling	89
Paging Speakers and Horns	91
Volume Controls	93

### Voice Evacuation/Mass Notification

Indoor Communication Systems and Accessories	97
SAFEPATH In-Building Mass Notification System	108
Wide-Area High-Power Speaker Arrays	111

<b>Index</b>	<b>113</b>
--------------	------------

This Product Catalog contains concise information on Eaton's portfolio of products for use in Life Safety applications.

For more information, including detailed specification and instruction sheets, visit our website: [www.eaton.com/Lifesafetynotification](http://www.eaton.com/Lifesafetynotification).

### Contact Information:

General Sales: [LifeSafety@eaton.com](mailto:LifeSafety@eaton.com)

Customer Support: 1-800-631-2148, Option 2; [cnordersnj@eaton.com](mailto:cnordersnj@eaton.com)

Technical Support: 1-800-631-2148, Option 3

Marketing Support: 1-800-631-2148, Option 7



# Life safety notification

Eaton has been an industry leader for nearly a century offering the broadest line of life safety notification appliances and accessories to meet your needs while complying with the latest codes and standards such as UL and NFPA.

- Audible/Visual Appliances
- Manual Pull Stations
- Sync Modules and Power Supplies
- Accessories



## Audible/Visual Appliances

- Horns and Horn Strobes
- Sounders and Sounder Strobes
- Strobes
- Colored Lens Appliances
- Chimes and Chime Strobes
- Bells
- Weatherproof Appliances
- Speakers and Speaker Strobes
- Supervised Horns and Cluster Speakers

# Introducing Eluxa

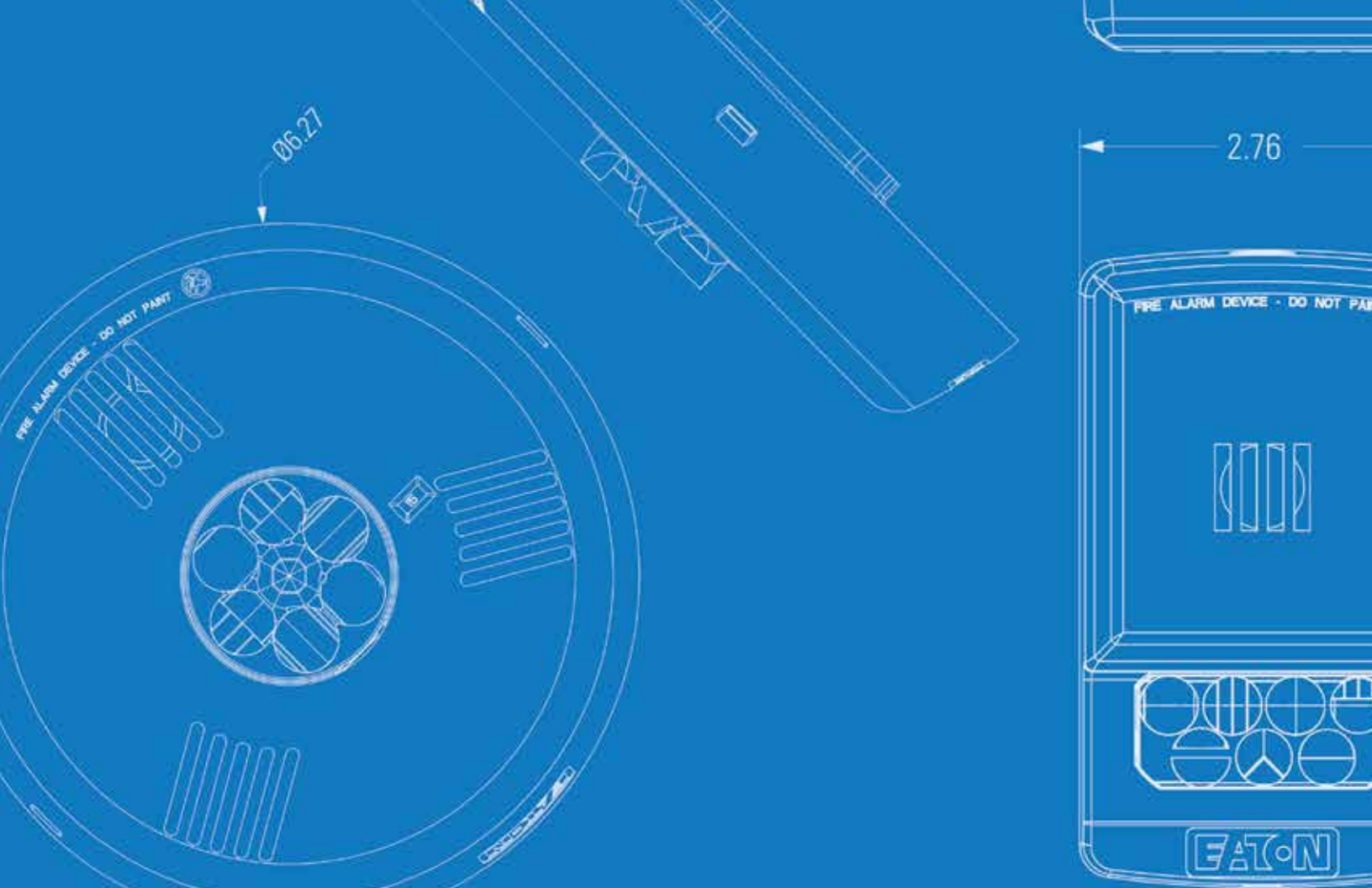
Best-in-class, next generation LED notification appliances

Complete indoor product line with 6 candela settings in 1 device

With its high-efficiency LEDs, Eluxa features the industry's lowest current draw. Competitive models can draw up to 3 times the current, and an average circuit consumes 70% more current than Eluxa devices. This substantially reduces overall power consumption, allowing for a greater number of appliances on the NAC and fewer power supplies, resulting in significant material and system cost savings. With 6 candela settings, Eaton offers a full range of low and high candela appliances in a single device. In addition, in one of the world's most compact designs, building owners will benefit from Eluxa's aesthetically pleasing design that doesn't detract from building décor.

The product line has also been UL/ ULC listed as compatible with all fire alarm control panels and accessories that have been determined to be compatible with Wheelock RSS strobe-based products. This means Eluxa devices are backward compatible with one of the largest installed bases in the country. It also meets the 20-millisecond light pulse duration requirements of NFPA 72 2016. By meeting this requirement, the Eluxa product line has been listed by UL to allow mixing of Wheelock legacy xenon devices in the same field of view.





### Energy efficient

- LED technology provides industry's lowest current draw
- Most efficient horns in the industry with higher dB and lower power
- Fewer power supplies required, smaller wire gage, reduced wire runs

### Low-profile design

- One of the smallest, most compact single-gang designs
- Sleek, modern aesthetics with no visible mounting screws

### Special lettering available

#### 6 Field selectable settings in 1 device

- Wall: 15, 30, 75, 110, 135, 185 cd
- Ceiling: 15, 30, 75, 110, 150, 177 cd

#### 3 horn patterns & 2 dB settings

- Continuous, T3, and T3/T4; Fire and CO signaling in 1 device
- Select 90 or 95 dB

### Easy-to-install

- Mounting plate included with all models: Convenient capture hinge allows installers to easily hold the device while fastening the single-mount screw in place.
- Pre-wire/pre-test capability to check for wiring and ground faults prior to appliance installation
- Finger slide switches--No tools needed for setting changes
- Mounting options include ELSBB, any single-gang backbox and to 4" square with adapter kit for wall models and LSPKBB-C backboxes, 4" square, 1 1/2" or 2 1/8" deep and 4" Octagonal, 1 1/2" or 2 1/8" deep for ceiling models

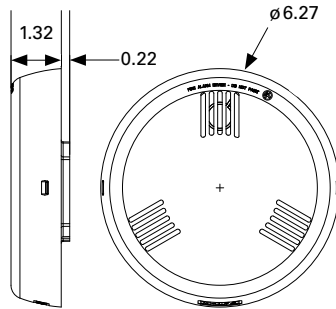
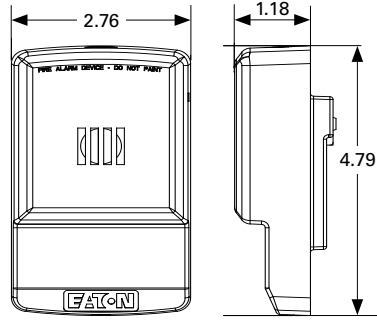
### Strobe synchronization

- Meet synchronizing standards with Wheelock's DSM Sync Modules, PS Power Supplies or SAFEPATH products
- Ability to mix xenon and LED strobes in the same field of view

### Compliance

- NFPA 72 2016 - 20 ms flash duration requirements
- UL 1971, UL 1638, UL 464, ULC-S525, ULC-S526
- California State Fire Marshal (CSFM)

## Wall and Ceiling Horns



## Eluxa Wall and Ceiling Horns

### Available features and options:

- Superior sound penetration for various ambient and room conditions
- 3 horn patterns: Continuous, T3, and T3/T4; Fire and CO signaling
- 2 Selectable sound outputs

**Finish Color:** Red or White

**Mounting:** Wall or Ceiling

**Voltage:** 12/24 VDC

### Backbox Mounting Options:

- Wall: Eluxa ELSBB, any single-gang backbox and to 4" square with adapter kit
- Ceiling: Exceder LSPKBB-C backboxes, 4" square (1-1/2" or 2-1/8" deep) and 4" octagonal (1-1/2" or 2-1/8" deep)

**Approvals:** UL, ULC, CSFM

### Wall Mount Horns

Model Number	Finish
ELHNR	Red
ELHNW	White

Mounting Options: QQ

### Ceiling Mount Horns

Model Number	Finish
ELHNRC	Red
ELHNWC	White

Mounting Options: OO

### Horn Ratings per UL Anechoic

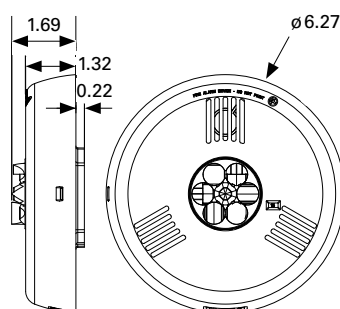
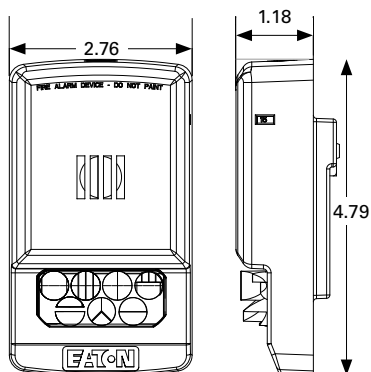
Model	Regulated Voltage Range VDC	High dB	Low dB
ELHN	16.0–33.0	0.028	0.021
ELHNC	16.0–33.0	0.028	0.021
ELHN	8.0–17.5	0.025	0.020
ELHNC	8.0–17.5	0.025	0.020

See page 20 for specification information on Eluxa Strobe models.

**Note:** Reference pages 49-58 for additional mounting information.



Wall and Ceiling Horn Strobes



**Eluxa Wall and Ceiling Horn Strobes**

**Available features and options:**

- Superior sound penetration for various ambient and room conditions
- 3 horn patterns: Continuous, T3, and T3/T4; Fire and CO signaling
- 2 Selectable sound outputs
- 6 Selectable candela settings

**Finish Color:** Red or White

**Mounting:** Wall or Ceiling

**Voltage:** 24 VDC

**Strobe Candela:**

- Wall: 15/30/75/110/135/185 cd
- Ceiling: 15/30/75/110/150/177 cd

**Backbox Mounting Options:**

- Wall: ELSBB, any single-gang backbox and to 4" square with adapter kit
- Ceiling: Exceder LSPKBB-C backboxes, 4" square (1-1/2" or 2-1/8" deep) and 4" octagonal (1-1/2" or 2-1/8" deep)

**Approvals:** UL, ULC, CSFM

**Wall Mount Horn Strobes**

Model Number	Finish	Lettering
ELHSR	Red	FIRE
ELHSW	White	FIRE
ELHSR-A	Red	AGENT
ELHSW-A	White	AGENT
ELHSW-AL	White	ALERT
ELHSR-N	Red	No Lettering
ELHSW-N	White	No Lettering
ELHSW-EV	White	EVACUATE

Mounting Options: QQ

**Ceiling Mount Horn Strobes**

Model Number	Finish
ELHSR	Red
ELHSW	White

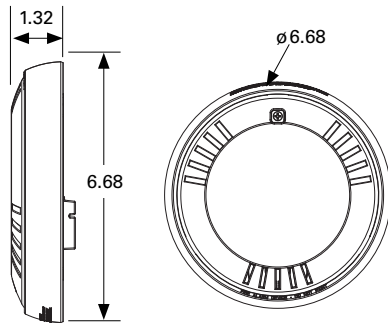
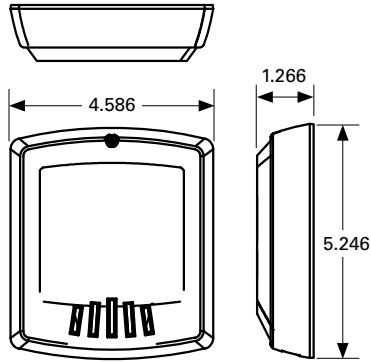
Mounting Options: OO

**Horn Strobe Ratings per UL 1971 & Anechoic at 24 VDC**

Eluxa Horn Strobes		24 VDC							
Model Number	Regulated Voltage Range VDC	15	30	75	110	135	150	177	185
<b>UL/ULC Max Current at Anechoic High dBA</b>									
ELHS	16.0–33.0	0.037	0.046	0.077	0.109	0.146	–	–	0.208
ELHSC	8.0–33.0	0.037	0.046	0.077	0.109	–	0.146	0.208	–
<b>UL/ULC Max Current at Anechoic Low dBA</b>									
ELHS	16.0–33.0	0.030	0.039	0.070	0.102	0.139	–	–	0.201
ELHSC	8.0–33.0	0.030	0.039	0.070	0.102	–	0.139	0.201	–

**Note:** Reference pages 49-58 for additional mounting information.

## Wall and Ceiling Horns



## Exceder Wall and Ceiling Horns

### Available features and options:

- Superior sound penetration for various ambient and room conditions
- 3 Selectable sound outputs

**Finish Color:** Red or White

**Mounting:** Wall

**Voltage:** 12 or 24 VDC, 120 VAC

**dBA Rating:** 90, 95, 99

**Backbox Mounting Options:** 1 gang, 2 gang, 4" sq., 3.5" octal. Exceder ESB (wall) and ESBC (ceiling) backboxes

**Approvals:** UL, ULC, FM, CSFM

### Wall Mount Horns

Model Number	Finish
HNR	Red
HNW	White

Mounting Options: II

### Ceiling Mount Horns

Model Number	Finish
HNRC	Red
HNWC	White

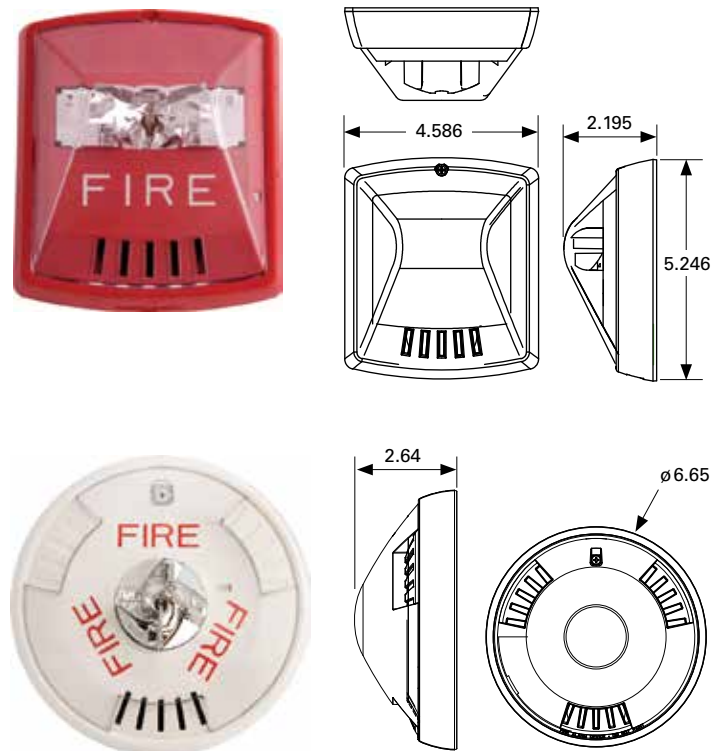
Mounting Options: JJ

### Horn Ratings per UL Anechoic

Model	Regulated Voltage Range VDC	99 dB	95 dB	90 dB
HN	16.0–33.0	0.064	0.044	0.022
HNC	16.0–33.0	0.084	0.044	0.022
HN	8.0–17.5	0.047	0.026	0.017
HNC	8.0–17.5	0.047	0.026	0.017

**Note:** Reference pages 49-58 for additional mounting information.

Wall and Ceiling Horn Strobes



**Exceder Wall and Ceiling Horn Strobes**

**Available features and options:**

- Superior sound penetration for various ambient and room conditions
- 3 Selectable sound outputs
- 8 candela settings

**Finish Color:** Red or White

**Mounting:** Wall or Ceiling

**dBa Rating:** 90, 95, 99

**Voltage:** Selectable 12/24 VDC

**Strobe Candela:**

- Selectable Wall: 15/1575/30/75/95/110/135/185
- Ceiling: 15/30/60/75/95/115/150/177

**Backbox Mounting Options:** 1 gang, 2 gang, 4" sq., 3.5" octal.  
Exceder ESB (wall) and ESBC (ceiling) backboxes

**Approvals:** UL, ULC, FM, CSFM

**Wall Mount Horn Strobes**

Model Number	Finish
HSR	Red
HSW	White

Mounting Options: II

**Ceiling Mount Horn Strobes**

Model Number	Finish
HSRC	Red
HSWC	White

Mounting Options: JJ

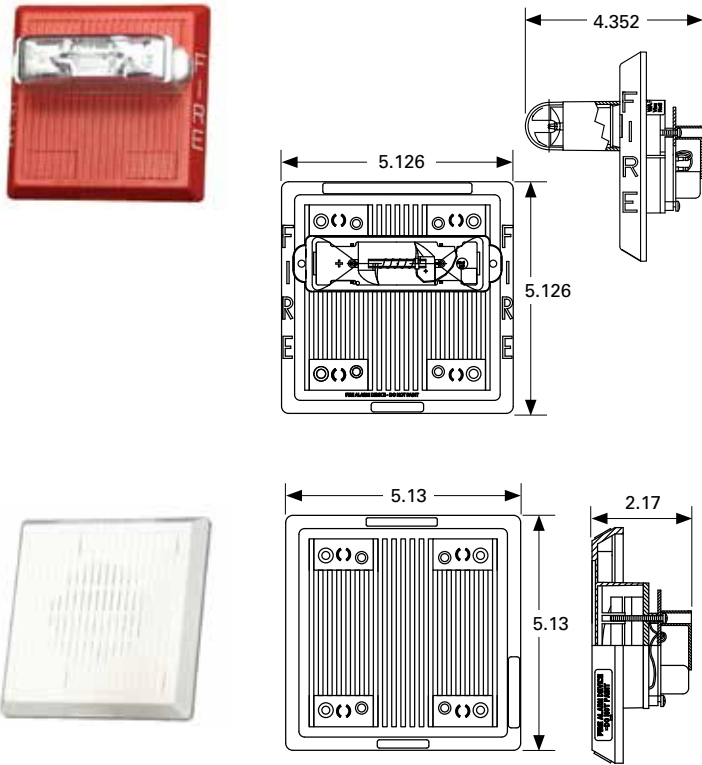
**Horn Strobe Ratings per UL 1971 & Anechoic at 24 VDC**

Model Number	Regulated Voltage Range VDC	24 VDC											12 VDC		
		15	15/75	30	60	75	95	110	115	135	150	177	185	15	15/75
<b>UL Max Current at 99 dBA</b>															
HS	8.0-33.0	0.082	0.095	0.102	-	0.148	0.176	0.197	-	0.242	-	-	0.282	0.125	0.159
HSC	8.0-33.0	0.082	-	0.102	0.141	0.148	0.176	-	0.197	-	0.242	0.282	-	0.125	-
<b>UL Max Current at 95 dBA</b>															
HS	8.0-33.0	0.073	0.083	0.087	-	0.139	0.163	0.186	-	0.230	-	-	0.282	0.122	0.153
HSC	8.0-33.0	0.073	-	0.087	0.128	0.139	0.163	-	0.186	-	0.230	0.272	-	0.122	-
<b>UL Max Current at 90 dBA</b>															
HS	8.0-33.0	0.065	0.075	0.084	-	0.136	0.157	0.184	-	0.226	-	-	0.267	0.120	0.148
HSC	8.0-33.0	0.065	-	0.084	0.120	0.136	0.157	-	0.184	-	0.226	0.267	-	0.120	-

**Note:** Reference pages 49-58 for additional mounting information.

# Horns & Horn Strobes

## Wall & Ceiling Horns and Horn Strobes



## HS/HS4 Wall & Ceiling Horns and Horn Strobes

### Available features and options:

- 2–4 Wire applications
- Selectable candela

**Finish Color:** Red or White

**Mounting:** Wall or Ceiling

**dBA Rating:** 90, 95, 99

**Voltage:** 24 VDC

### Strobe Candela:

- Wall: 15/30/75/110cd or 135/185cd
- Ceiling: 15/30/75/95cd or 115/177cd

**Approvals:** UL, MEA, CSFM, FM, ULC

### Wall Mount Horn Strobes

Model Number	Finish	Order Code
<b>15/30/75/110cd</b>		
HS4-24MCW-FR	Red	3150
HS4-24MCW-FW	White	3151
<b>135/185cd</b>		
HS4-24MCWH-FR	Red	3132
HS4-24MCWH-FW	White	3148

### Ceiling Mount Horn Strobes

Model Number	Finish	Order Code
<b>15/30/75/95cd</b>		
HS4-24MCC-FR	Red	6264
HS4-24MCC-FW	White	6250
<b>115/117cd</b>		
HS4-24MCCH-FR	Red	6228
HS4-24MCCHF-W	White	6225

Mounting Options: D, E, F, L, M, O, P, R

### Wall or Ceiling Mount Horns

Model Number	Finish	Order Code
HS-24-R	Red	3152
HS-24-W	White	3153

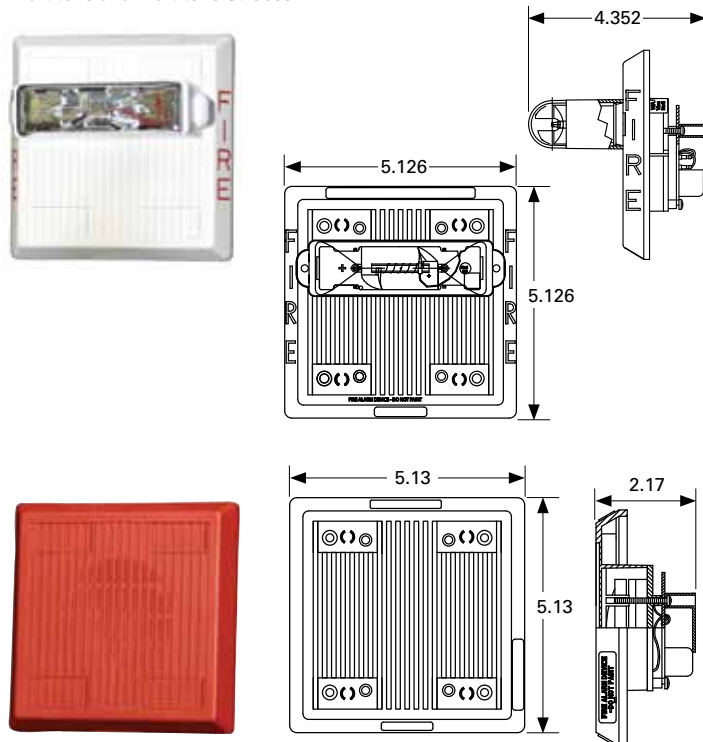
Mounting Options: D, E, F, L, M, O, P, R

### UL Max. Strobe Current

Models	16–33 VDC			
	15cd	30cd	75cd	110cd
Wall	0.060	0.092	0.165	0.220

**Note:** Reference pages 49-58 for additional mounting information.

**Multitone and Multitone Strobes**



**MT Multitone and Multitone Strobes**

**Available features and options:**

- 4 Wire applications
- 8 Selective signals to provide superior sound penetration for various ambient and wall conditions
- 2 Selectable sound outputs

**Finish Color:** Red or White

**Mounting:** Wall or Ceiling

**Voltage:** 12, 24 VDC, 120 VAC (model dependent)

**Strobe Candela:**

- Wall: 15/30/75/110cd or 135/185cd (multi-candela) or 1575cd (single candela)
- Ceiling: 15/30/75/95cd or 115/177cd

**Approvals:** UL, MEA, CSFM, FM, ULC

**Wall Mount Multitone Strobes**

15/30/75/110cd	Finish/Ltr	Order Code
MT-24MCW-FR	Red	3301
MT-24MCW-FW	White	3302
MT-24MCW-AR	Red, Alarm	3304
MT-24MCW-NW	White, No Ltr	3305
<b>1575cd</b>		
MT-121575W-FR	Red	8421
MT-121575W-FW	White	9461
MT-121575W-NW	White, No Ltr	9747
<b>15cd</b>		
MT4-115-WH-VFR	Red	6224
MT4-115-WH-VNS	Silver, No Ltr	6143

Mounting Options: D, E, F, J, L, M, N, O, P, R (MT) D, E, J, K, N, O, R (MT4)

**Wall or Ceiling Mount Multitones**

Model Number	Finish	Order Code
MT-12/24-R	Red	5023
MT-12/24-W	White	5024
MT4-12/24-R	Red	5308
MT4-12/24-S	Silver	7997
MT4-115-R	Red	6223
MT4-115-S	Silver	6142

Mounting Options: D, E, F, J, L, M, N, O, P, R (MT) D, E, J, K, N, O, R (MT4)

**UL Max. Strobe Current**

16-33 VDC					
15/75 cd (8-17.5 VDC)	15cd	30cd	75cd	110cd	15/75cd
0.255	0.060	0.092	0.165	0.220	0.090

**UL Max. Current**

	16-33 VDC		8-17.5 VDC		120 VAC	
	HI Out	STD Out	HI Out	STD Out	HI Out	STD Out
Horn	0.108	0.044	0.177	0.034	0.050	0.045
Bell	0.053	0.024	0.095	0.020	0.045	0.045
March Time Horn	0.104	0.087	0.142	0.034	0.050	0.045
Code-3 Horn	0.122	0.035	0.200	0.034	0.050	0.045
Code-3 Tone	0.135	0.035	0.152	0.021	0.045	0.045
Slow Whoop	0.098	0.037	0.142	0.035	0.050	0.045
Siren	0.104	0.036	0.152	0.030	0.045	0.045
Hi/Lo	0.057	0.025	0.114	0.026	0.045	0.045

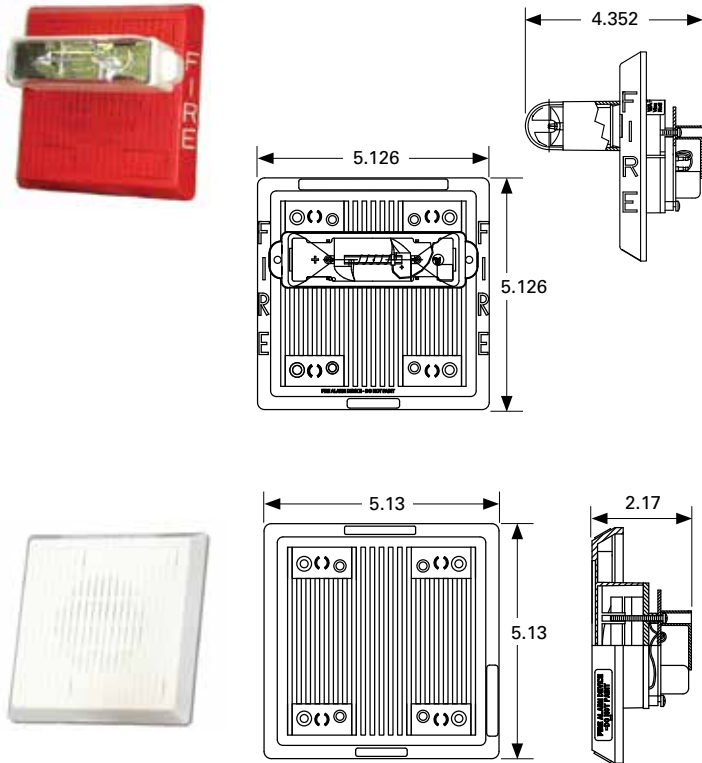
**dBA**

	dBA @ 10 ft. (UL Reverberant)				dBA @ 10 ft. (anechoic)		dBA @ 10 ft. (UL Reverberant)	
	16-33 VDC		8-17.5 VDC		8-17.5 and 16-33 VDC		120 VAC	
	HI Out	STD Out	HI Out	STD Out	HI Out	STD Out	HI Out	STD Out
Horn	92	87	92	87	99	93	89	86
Bell	86	80	86	80	92	87	80	74
March Time Horn	89	84	89	84	99	93	86	83
Code-3 Horn	88	83	88	83	99	93	85	82
Code-3 Tone	85	80	85	80	95	90	84	81
Slow Whoop	90	85	90	85	99	94	87	84
Siren	89	84	89	84	98	93	84	84
Hi/Lo	86	81	86	81	93	88	84	80

For the MTWP and MT-12/24 Weatherproof Appliance, please see pages 32-33, 92.

**Note:** Reference pages 49-58 for additional mounting information.

## Multitone and Multitone Strobes



## AMT Multitone and Multitone Strobes

### Available features and options:

- 3 Distinct prioritized audible signals from 3 isolated inputs
- Ideal for combination fire and burglary and suppression systems

**Finish Color:** Red or White

**Mounting:** Wall or Ceiling

**Voltage:** 12/24 VDC horn only; 24 VDC horn strobe

**Strobe Candela:** 15/30/75/110cd or 135/185cd

**Approvals:** UL, CSFM, FM, ULC

### Wall Mount Multitone Strobes

Model Number	Finish/Ltr	Order Code
<b>15/30/75/110cd</b>		
AMT-24MCW-FR	Red	3300
AMT-24MCW-FW	White	3302
AMT-24MCW-NW	White, No LTR	5587

### Wall or Ceiling Mount Multitones

Model Number	Finish	Order Code
AMT-12/24-R	Red	5887
AMT-12/24-W	White	5893
AMT-12/24-R-NYC	Red	7920

Mounting Options: D, E, F, L, M, N, O, P, R

### UL Max. Strobe Current

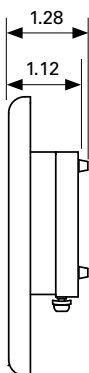
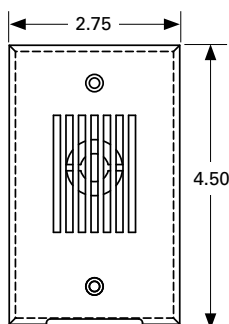
16-33 VDC			
15cd	30cd	75cd	110cd
0.060	0.092	0.165	0.220

### UL Max. Current

	16-33 VDC		8-17.5 VDC	
	HI Out	STD Out	HI Out	STD Out
Horn	0.108	0.043	0.210	0.058
Bell	0.057	0.026	0.117	0.031
March Time Horn	0.108	0.035	0.210	0.059
Code-3 Horn	0.108	0.043	0.210	0.057
Code-3 Tone	0.060	0.030	0.168	0.052
Slow Whoop	0.112	0.044	0.182	0.056
Siren	0.102	0.038	0.177	0.055
Hi/Lo	0.064	0.030	0.131	0.028
Vibrating Chime	0.041	0.020	0.090	0.028

**Note:** Reference pages 49-58 for additional mounting information.

**Horns**



**MIZ Horns**

**Available features and options:**

- High sound output with low current draw
- Ideal for alarm signaling in individual rooms, apartments, hotels, and offices

**Finish Color:** Red or White

**Mounting:** Wall, single-gang boxes

**dBA Rating:** 78–87, Continuous or Code 3 Output

**Voltage:** 24 VDC

**Approvals:** UL, MEA, CSFM, FM, ULC

**Wall Mount Mini Horn**

Model Number	Finish	Order Code
MIZ-24S-R	Red	8485
MIZ-24S-W	White	8484

Mounting Options: B

**UL Max. Current**

**16–33 VDC**

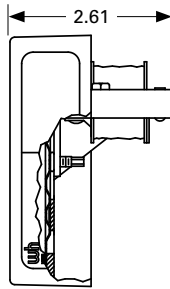
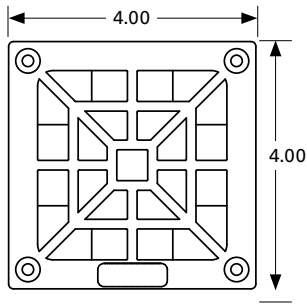
0.026

**Horn Strobe Ratings per UL 1971 & Anechoic at 24 VDC**

	Reverberant dBA per UL 464 @ 10 ft		Anechoic dBA @ 10 ft	
	Continuous	Code 3	Continuous	Code 3
24 VDC	83.2	78.8	87.9	87.9

**Note:** Reference pages 49-58 for additional mounting information.

## Electric Horn



## 31T Electronic Horn

### Available features and options:

- Ideal for high sound output for life safety applications
- Low current draw

**Finish Color:** Red or Gray

**Mounting:** Wall or Ceiling

**dBA Rating:** 95

**Voltage:** 115 VAC

**Approvals:** UL, FM, CSFM

Model Number	Finish	Order Code
31T-115-R	Red	2805
31T-115-S	Gray	0521

Mounting Options: D, E, J, K, N, O, R

### UL Max. Current

115 VAC	dBA @ 10 ft
0.160	95

**Note:** Reference pages 49-58 for additional mounting information.





# Sleeping just got a little more sound

Eluxa low frequency sounders  
110 and 177 candela in 1 device

**Meet sleeping room code requirements with Eluxa low frequency sounders and sounder strobes.**

Eaton offers low frequency sounder models with both low (110) and high (177) candela settings in 1 device to meet NFPA sleeping room requirements for hotels, motels, dormitories, and apartment buildings. Eluxa low frequency sounders can also provide alarm signals for dual applications - T3 (Fire) and T4 (CO) tones.

Learn more about Eaton's latest solutions by calling us today, (800) 631-2148, or email [LifeSafety@Eaton.com](mailto:LifeSafety@Eaton.com).

[Eaton.com/Lifesafetynotification](http://Eaton.com/Lifesafetynotification)

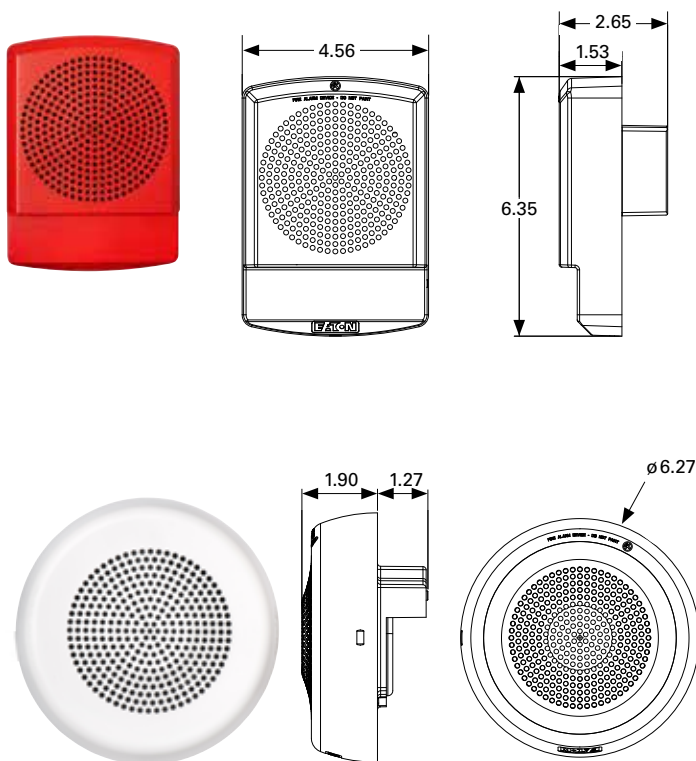


*Powering Business Worldwide*

Follow us on social media to get the latest product and support information.



Wall Sounders



Eluxa Low Frequency Sounders

Available features and options:

- Meets both NFPA 72 low frequency sounder requirements for sleeping areas
- One device includes 2 sound patterns: T3 (fire) and T4 (CO)
- Multiple 520Hz modes of operations

**Finish Color:** Red or White

**Mounting:** Wall or Ceiling

**Voltage:** 24 VDC

**Backbox Mounting Options:** ELSPKBB backboxes and 4" square backboxes for wall models and LSPKBB-C backboxes, 4" square, 1 1/2 or 2 1/8" deep and 4" Octagonal, 1 1/2" or 2 1/8" deep for ceiling models

**Approvals:** UL, ULC, CSFM

Wall Mount Horns

Model Number	Finish	Lettering
ELFHNR	Red	FIRE
ELFHNW	White	FIRE
ELFHNR-AL	Red	ALERT
ELFHNW-AL	White	ALERT
ELFHNR-CO	Red	CO
ELFHNW-CO	White	CO
ELFHNR-N	Red	No Lettering
ELFHNW-N	White	No Lettering

Mounting Options: RR

Ceiling Mount Sounders

Model Number	Finish	Lettering
ELFHNR	Red	FIRE
ELFHNW	White	FIRE
ELFHNR-AL	Red	ALERT
ELFHNW-AL	White	ALERT
ELFHNR-CO	Red	CO
ELFHNW-CO	White	CO
ELFHNR-N	Red	No Lettering
ELFHNW-N	White	No Lettering

Mounting Options: OO

Sounder Only Current Draw

		UL/ULC Max Current
		24VDC
Model	Horn Settings	16.0-33.0
ELFHN/ELFHNC	Continuous	0.098
	Code 3	0.098
	Code 3/Code 4	0.098

Sound Output (SPL) - UL

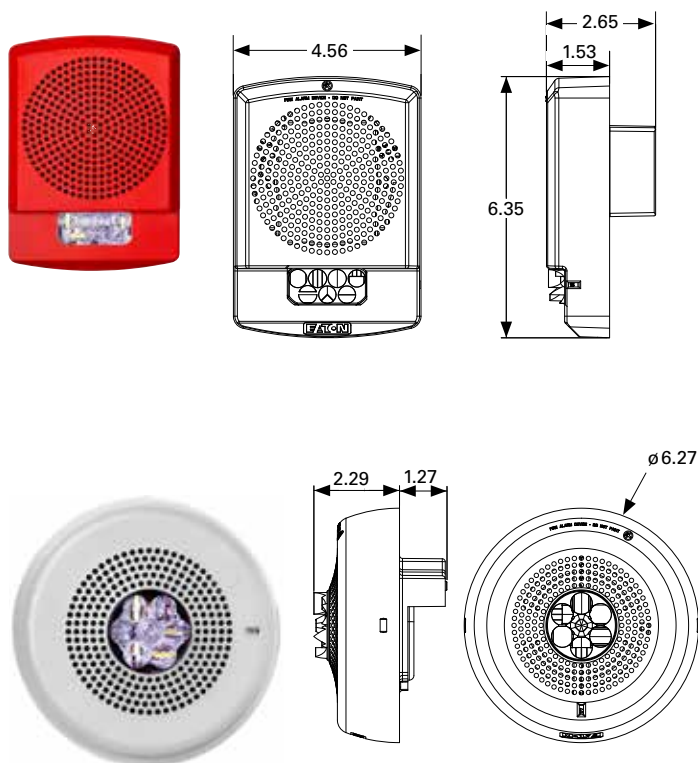
		Reverberant dBA per UL 464		
		ELFHN/ELFHNC 24V		
Description	16.0V	24.0V	33.0V	
Continuous	80	80	80	
Code 3	80	80	80	
Code 3/Code 4	80	80	80	

Sound Output (SPL) - ULC

		dBA per ULC S525-07		
		ELFHN/ELFHNC		
Description	16.0V	24.0V	33.0V	
Continuous	85	85	85	
Code 3	85	85	85	
Code 3/Code 4	85	85	85	

**Note:** Reference pages 49-58 for additional mounting information.

**Wall Sounder Strobes**



**Eluxa Low Frequency Sounder Strobes**

**Available features and options:**

- Meets both NFPA low frequency sounder requirements for sleeping areas
- One device includes 2 sound patterns: T3 (fire) and T4 (CO)
- Multiple 520Hz modes of operations
- Both low (110 cd) and high (177 cd) candela settings in a single device

**Finish Color:** Red or White

**Mounting:** Wall or Ceiling

**Candela:** 110, 177

**Voltage:** 24 VDC

**Backbox Mounting Options:** ELSPKBB backboxes and 4" square backboxes for wall models and LSPKBB-C backboxes, 4" square, 1 1/2 or 2 1/8" deep and 4" Octagonal, 1 1/2" or 2 1/8" deep for ceiling models

**Approvals:** UL, ULC, CSFM

**Wall Mount Sounder Strobes**

Model Number	Finish	Lettering
ELFHSR	Red	FIRE
ELFHSW	White	FIRE
ELFHSR-AL	Red	ALERT
ELFHSW-AL	White	ALERT
ELFHSR-CO	Red	CO
ELFHSW-CO	White	CO
ELFHSR-N	Red	No Lettering
ELFHSW-N	White	No Lettering

Mounting Options: RR

**Ceiling Mount Sounders**

Model Number	Finish	Lettering
ELFHSRC	Red	FIRE
ELFHSWC	White	FIRE
ELFHSRC-AL	Red	ALERT
ELFHSWC-AL	White	ALERT
ELFHSRC-CO	Red	CO
ELFHSWC-CO	White	CO
ELFHSRC-N	Red	No Lettering
ELFHSWC-N	White	No Lettering

Mounting Options: OO

**Wall Mount Sounder Strobes**

Model	Horn Settings	UL/ULC Max Current	
		16.0-33.0 110cd	16.0-33.0 177cd
ELFHS/ELFHSC	Continuous	0.164	0.256
	Code 3	0.164	0.256
	Code 3/Code 4	0.164	0.256

**Reverberant dBA per UL 464**

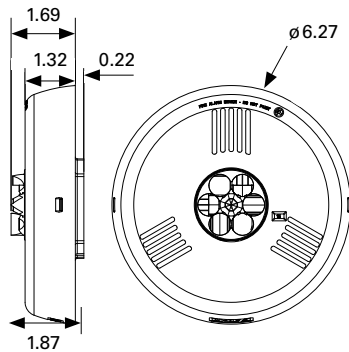
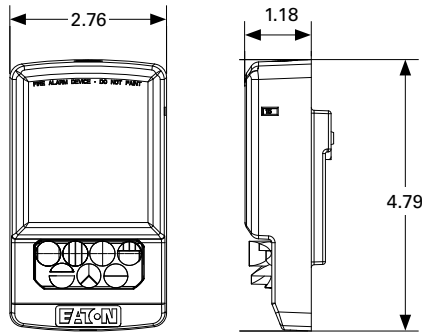
ELFHS/ELFHSC 24V			
Description	16.0V	24.0V	33.0V
Continuous	80	80	80
Code 3	80	80	80
Code 3/Code 4	80	80	80

**dBA per ULC S525-07**

ELFHS/ELFHSC			
Description	16.0V	24.0V	33.0V
Continuous	85	85	85
Code 3	85	85	85
Code 3/Code 4	85	85	85

**Note:** Reference pages 49-58 for additional mounting information.

Wall and Ceiling Strobes



**Eluxa Wall and Ceiling Strobes**

**Available features and options:**

- LED technology provides industry's lowest current draw for a combined high and low candela device
- Sleek, modern, low profile design
- 6 candela settings in 1 device

**Finish Color:** Red or White

**Mounting:** Wall or Ceiling

**Voltage:** 24 VDC

**Strobe Candela:**

- Wall: 15/30/75/110/135/185 cd
- Ceiling: 15/30/75/110/150/177 cd

**Backbox Mounting Options:**

- Wall: Eluxa ELSBB, any single-gang backbox and to 4" square with adapter kit
- Ceiling: Exceder LSPKBB-C backboxes, 4" square (1-1/2" or 2-1/8" deep) and 4" octagonal (1-1/2" or 2-1/8" deep)

**Approvals:** UL, ULC, CSFM

**UL Max. Current**

**24 VDC**

Model	Regulated Voltage Range VDC	15	30	75	110	135	150	177	185
<b>UL/ULC Max Current</b>									
ELST	16.0–33.0	0.022	0.030	0.060	0.086	0.125	–	–	0.185
ELSTC	16.0–33.0	0.022	0.030	0.060	0.086	–	0.125	0.185	–

**Wall Mount Strobes**

Model Number	Finish	Lettering
ELSTR	Red	FIRE
ELSTW	White	FIRE
ELSTR-A	Red	AGENT
ELSTW-A	White	AGENT
ELSTR-AL	Red	ALERT
ELSTW-AL	White	ALERT
ELSTR-N	Red	No Lettering
ELSTW-N	White	No Lettering
ELSTW-EV	White	EVACUATE

Mounting Options: 00

**Ceiling Mount Strobes**

Model Number	Finish	Lettering
ELSTR	Red	FIRE
ELSTW	White	FIRE
ELSTRC-AL	Red	ALERT
ELSTWC-AL	White	ALERT
ELSTWC-EV	White	EVACUATE

Mounting Options: 00

See pages 8 & 9 for specification information on Eluxa Horn & Horn Strobe models.

**Note:** Reference pages 49-58 for additional mounting information.



# Eluxa strobes

Best-in-class, next generation  
LED technology



## Features:

### Energy efficient

- LED technology provides industry's lowest current draw for a combined high and low candela device
- Fewer power supplies required, smaller wire gage, reduced wire runs

### Compatibility

- UL/ULC listed as compatible with all Fire Alarm Control Panels (FACP) and accessories that have been determined to be compatible with Wheelock RSS strobe-based products
- Ability to mix LED and xenon strobes in the same field of view
- Meets stringent synchronizing standards for strobes with Wheelock's DSM Sync Modules, PS Power Supplies or SAFEPATH products

### Low profile design

- One of the smallest, most compact single-gang designs
- Sleek, modern aesthetics with no visible mounting screws

### Field selectable settings

- Wall: 15, 30, 75, 110, 135, 185 cd
- Ceiling: 15, 30, 75, 110, 150, 177 cd

### Special lettering and amber and blue lens

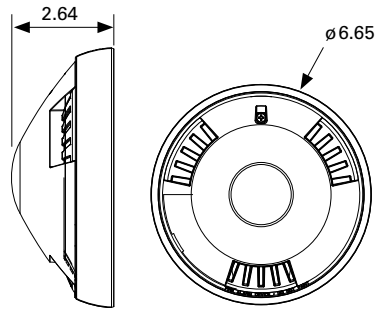
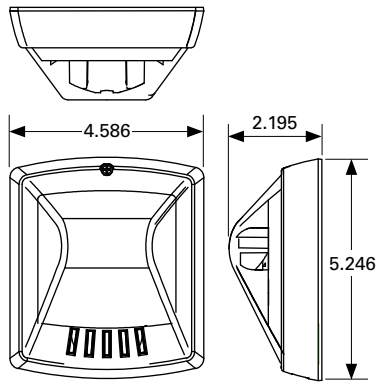
#### Easy-to-install

- Mounting plate included with all models: Convenient capture hinge allows installers to easily hold the device while fastening the single-mount screw in place
- Pre-wire/pre-test capability to check for wiring and ground faults prior to appliance installation Finger slide switches—No tools needed for setting changes
- Mounting options include ELSBB, any single-gang backbox and to 4" square with adapter kit for wall models and LSPKBB-C backboxes, 4" square, 1 1/2" or 2 1/8" deep and 4" Octagonal, 1 1/2" or 2 1/8" deep for ceiling models

#### Compliance & approvals

- NFPA 72 2016 (meets maximum light pulse duration of 20 ms)
- UL 1971, UL 464; ULC-S525, ULC-S526
- California State Fire Marshal (CSFM)
- ADA/NFPA/ANSI/OSHA
- FCC Part 15, ICES

Wall and Ceiling Strobes



**Exceder Wall and Ceiling Strobes**

**Available features and options:**

**Finish Color:** Red or White

**Mounting:** Wall or Ceiling

**Voltage:** Selectable 12/24 VDC

**Strobe Candela:**

- Selectable Wall: 15/1575/30/75/95/110/135/185
- Ceiling: 15/30/60/75/95/115/150/177

**Backbox Mounting Options:** 1 gang, 2 gang, 4" sq., 3.5" octal. Exceder ESB (wall) and ESBC (ceiling) backboxes

**Approvals:** UL, ULC, FM, CSFM

**Wall or Ceiling Mount Strobes**

Model Number	Finish
STR	Red
STW	White
STRC	Red
STWC	White

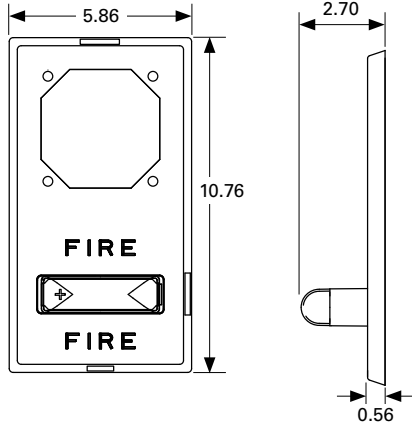
Mounting Options: II (wall), JJ (ceiling)

**UL Max. Current**

Model Number	Regulated Voltage Range VDC	24 VDC/24 FWR											12 VDC		
		15	19	30	60	75	95	110	115	135	150	177	185	15	15/75
ST	8.0–33.0	0.057	0.070	0.085	–	0.135	0.163	0.182	–	0.205	–	–	0.253	0.110	0.140
STC	8.0–33.0	0.061	–	0.085	0.103	0.135	0.163	–	0.182	–	0.205	0.253	–	0.110	–

**Note:** Reference pages 49-58 for additional mounting information.

**Strobe Plates**



**RSSP Strobe Plates**

**Available features and options:**

- Designed for retrofitting existing audible appliances to strobe applications

**Finish Color:** Red or White

**Mounting:** Wall

**Strobe Candela:** 15/30/75/95/110 or 135/185

**Approvals:** UL, MEA, CSFM, FM, BFP

**Strobe Plates**

Model Number	Finish	Order Code
<b>15/30/75/110cd</b>		
RSSP-24MCW-FR	Red	9402
RSSP-24MCW-FW	White	9403
<b>135/185cd</b>		
RSSP-24MCWH-FR	Red	9482
RSSP-24MCWH-FW	White	0281

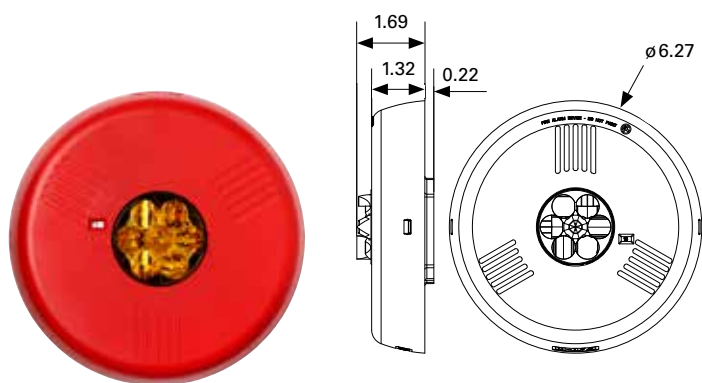
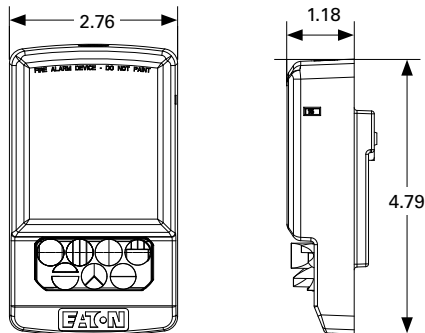
**UL Max. Current**

Model	16-33 VDC					
	15cd	30cd	75cd	110cd	135cd	185cd
RSS-Wall	0.060	0.092	0.165	0.220	0.300	0.420

**Note:** Reference pages 49-58 for additional mounting information.

**Eluxa Amber and Blue Lens Strobes**

**Amber Lens Strobes**



**Available features and options:**

- LED technology provides industry's lowest current draw for a combined high and low candela device
- Sleek, modern, low profile design
- 6 candela settings in 1 device
- Ideal for mass notification and emergency communication applications

**Finish Color:** Red or White

**Lens Color:** Amber or Blue

**Mounting:** Wall or Ceiling

**Special lettering:** AGENT, ALERT, No lettering

**Voltage:** 24 VDC

**Strobe Candela:**

Amber lens

- Wall: 15/30/75/110/135/185
- Ceiling: 15/30/75/110/150/177

Blue lens

- Wall: 5/10/20/30/40/50
- Ceiling: 5/12/30/40/50/65

**Backbox Mounting Options:**

- Wall: Eluxa ELSBB, any single-gang backbox and to 4" square with adapter kit
- Ceiling: Exceder LSPKBB-C backboxes, 4" square (1-1/2" or 2-1/8" deep) and 4" octagonal (1-1/2" or 2-1/8" deep)

**Approvals:** UL, ULC, CSFM

**UL Max. Current**

**24 VDC**

Amber lens	Regulated Voltage Range VDC	15	30	75	110	135	150	177	185
<b>UL/ULC Max Current</b>									
ELST-A	16.0–33.0	0.022	0.030	0.060	0.086	0.125	–	–	0.185
ELSTC-A	16.0–33.0	0.022	0.030	0.060	0.086	–	0.125	0.185	–

**24 VDC**

Blue lens	Regulated Voltage Range VDC	5	10	12	20	30	40	50	65
<b>UL/ULC Max Current</b>									
ELST-B	16.0–33.0	0.022	0.030	–	0.060	0.086	0.125	0.185	–
ELSTC-B	16.0–33.0	0.022	–	0.030	–	0.060	0.086	0.125	0.185

**Wall Mount Strobes**

Model Number	Finish	Lens Color	Lettering
ELSTR-ALA	Red	Amber	ALERT
ELSTW-ALA	White	Amber	ALERT
ELSTR-NA	Red	Amber	No lettering
ELSTW-NA	White	Amber	No lettering
ELSTR-ALB	Red	Blue	ALERT
ELSTW-ALB	White	Blue	ALERT
ELSTR-NB	Red	Blue	No lettering
ELSTW-NB	White	Blue	No lettering

Mounting Options: QQ

**Ceiling Mount Strobes**

Model Number	Finish	Lens Color	Lettering
ELSTRC-ALA	Red	Amber	ALERT
ELSTWC-ALA	White	Amber	ALERT
ELSTRC-NA	Red	Amber	No lettering
ELSTWC-NA	White	Amber	No lettering
ELSTRC-ALB	Red	Blue	ALERT
ELSTWC-ALB	White	Blue	ALERT
ELSTRC-NB	Red	Blue	No lettering
ELSTWC-NB	White	Blue	No lettering

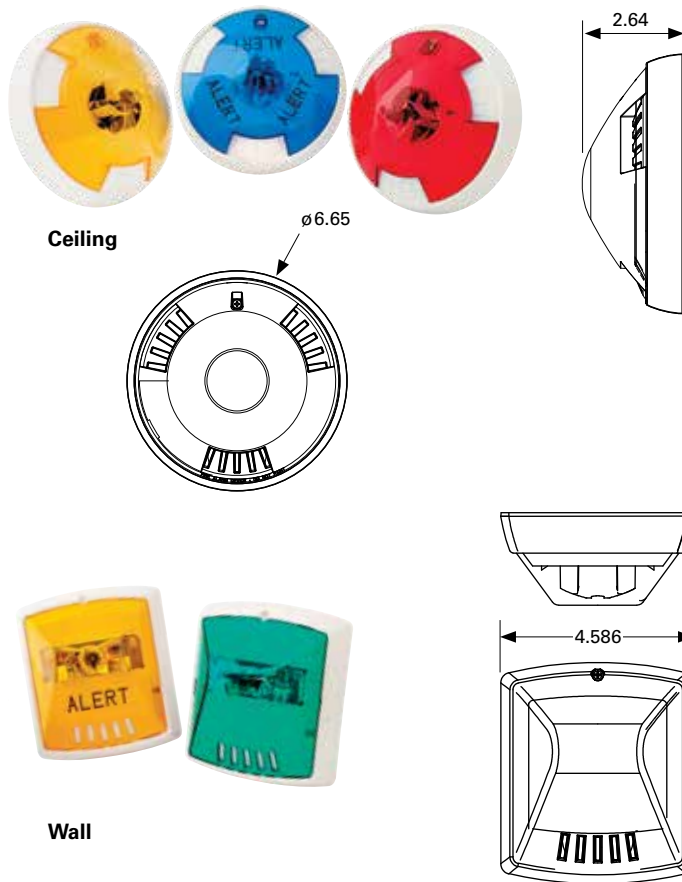
Mounting Options: OO

**Note:** Reference pages 49-58 for additional mounting information.

See page 20 for specification information on Eluxa Strobe models.



**Wall and Ceiling Colored Lens Strobes**



**Exceder Wall and Ceiling Colored Lens Strobes**

**Available features and options:**

- Designed for effective alerting of employees and personnel in industrial, military or government applications
- 8 Candela settings

**Lens Colors:** Amber, Blue, Green, Red

**Finish Color:** Red or White

**Mounting:** Wall or Ceiling

**Voltage:** Selectable 12/24 VDC

**Strobe Candela:**

- Wall: 15/19/30/75/95/110/135/185
- Ceiling: 15/30/60/75/95/115/150/177

**Backbox Mounting Options:**

1 gang, 2 gang, 4" sq., 3.5" octal, 4" octal boxes

**Approvals:** UL

**Wall Mount Colored Lens Strobes**

Model Number	Finish/Ltr
STR-NA	Red, No Ltr, Amber Lens
STW-NA	White, No Ltr, Amber Lens
STR-ALA	Red, Alert Ltr, Amber Lens
STW-ALA	White, Alert Ltr, Amber Lens
STR-NG	Red, No Ltr, Green Lens
STW-NG	White, No Ltr, Green Lens

Mounting Options: II

**Ceiling Mount Colored Lens Strobes**

Model Number	Finish/Ltr
STRC-NA	Red, No Ltr, Amber Lens
STWC-NA	White, No Ltr, Amber Lens
STRC-ALA	Red, Alert Ltr, Amber Lens
STWC-ALA	White, Alert Ltr, Amber Lens
STRC-NB	Red, No Ltr, Blue Lens
STWC-NB	White, No Ltr, Blue Lens
STRC-NG	Red, No Ltr, Green Lens
STWC-NG	White, No Ltr, Green Lens
STRC-NR	Red, No Ltr, Red Lens
STWC-NR	White, No Ltr, Red Lens
STWC-ALB	White, Alert Ltr, Blue Lens
STRC-AB	Red, Agent Ltr, Blue Lens
STWC-AB	White, Agent Ltr, Blue Lens

Mounting Options: JJ

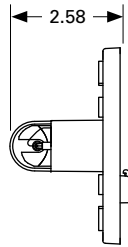
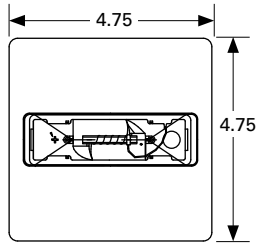
**UL Max. Current**

Model Number	Regulated Voltage Range VDC	24 VDC/24 FWR											12 VDC		
		15	19	30	60	75	95	110	115	135	150	177	185	15	15/75
ST	8.0–33.0	0.057	0.070	0.085	–	0.135	0.163	0.182	–	0.205	–	–	0.253	0.110	0.140
STC*	8.0–33.0	0.061	–	0.085	0.103	0.135	0.163	–	0.182	–	0.205	0.253	–	0.110	–
STC-A	8.0–33.0	0.085	–	0.103	0.135	0.212	0.214	–	0.215	–	0.256	–	–	0.142	–

\* Blue, green and red lens models have the same candela as the clear lens models

**Note:** Reference pages 49-58 for additional mounting information.

## Colored Lens Strobes



Product Type	Model Number	Color	Order Code
<b>Strobes</b>	<b>15/30/75/95cd</b>		
	RSSG-24MCC-NW	Green	0204
	RSSR-24MCC-NW	Red	3111
	<b>115/177 cd</b>		
	RSSG-24MCCH-NW	Green	6155
	RSSR-24MCCH-NW	Red	6156
<b>Strobe Plates</b>	<b>15/30/75/95cd</b>		
	RSSPA-24MCC-NW	Amber	3308

## RSS Colored Lens Strobes

### Available features and options:

- Designed for effective alerting of employees and personnel in industrial, military or government applications
- Wide operating voltage range

**Lens Colors:** Amber, Blue, Green, Red

**Mounting:** Wall or Ceiling

**Voltage:** 24 VDC

**Strobe Candela:** 15/30/75/95 or 115/177

**Approvals:** UL, ULC

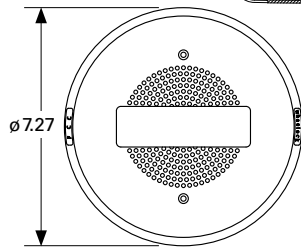
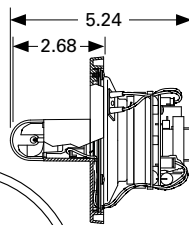
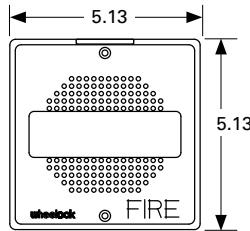
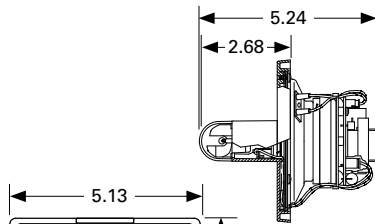
Candela is measured on axis per UL 1638. Models with MCC strobes have 4 field selectable candela settings. MCC settings are rated for clear lens—derate approximately 25% for amber, 55% for green and 70% for blue lenses.

### UL Max. Current

Series	16–33 VDC			
	15cd	30cd	75cd	95cd
RSS, RSSP	0.065	0.105	0.189	0.249

**Note:** Reference pages 49-58 for additional mounting information.

**Chimes and Chime Strobes**



**Wall Mount Chime Strobes**

Model Number	Finish	Order Code
<b>15/30/75/110cd</b>		
CH70-24MCW-FR	Red	9018
CH70-24MCW-FW	White	9019
<b>135/185cd</b>		
CH70-24MCWH-FR	Red	9083
CH70-24MCWH-FW	White	9084

**Ceiling Mount Chime Strobes**

Model Number	Finish	Order Code
<b>15/30/75/95cd</b>		
CH90-24MCC-FR	Red	3167
CH90-24MCC-FW	White	3168
<b>115/117cd</b>		
CH90-24MCCH-FW	White	3110

Mounting Options: Q, U, V

**CH Wall and Ceiling Chimes and Chime Strobes**

**Available features and options:**

- Ideal for hospital and institutional applications
- Single stroke or vibrating operation
- Replaceable grills

**Finish Color:** Red or White

**Mounting:** Wall or Ceiling

**Voltage:** 24 VDC

**Audible Current:** 0.022

**Tones:** Single stroke or vibrating operations - 1Hz, 2Hz, Coded, Temporal Code 3 (T3) operating modes

**Approvals:** UL, ULC, CSFM

**Wall or Ceiling Mount Chime Strobes**

Model Number	Finish	Order Code
CH70-R	Red, Square	7825
CH70-W	White, Square	7827
Mounting Options: L, O, P, Q, R, U, Y		
CH90-R	Red, Round	7828
CH90-W	White, Round	7826
Mounting Options: Q, U, V		

**UL Max. Strobe Current: CH70 Wall Mount Chime Strobes**

16-33 VDC					
15cd	30cd	75cd	110cd	135cd	185cd
0.060	0.092	0.165	0.220	0.300	0.420

**UL Max. Strobe Current: CH90 Ceiling Mount Chime Strobes**

16-33 VDC					
15cd	30cd	75cd	95cd	115cd	177cd
0.065	0.105	0.189	0.249	0.300	0.420

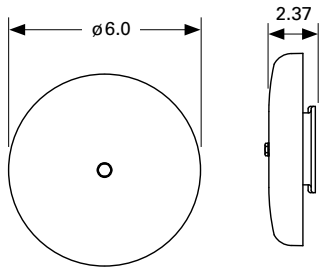
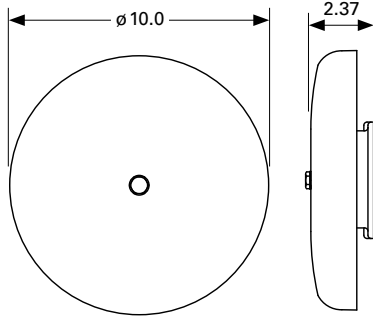
**UL Max. Strobe Current: CH70 or CH90 Wall or Ceiling Mount Chimes**

Audible	
16-33 VDC	0.022

**Note:** Reference pages 49-58 for additional mounting information.

# Bells

## Bells



### 43T Vibrating AC Bells

#### Available features and options:

- Aluminum bell housing
- Screw terminal connections
- Integral RFI suppression minimizes induced noise on alarm lines
- Semi-flush or surface mounting to standard 4" square backboxes

**Finish Color:** Red or Gray

**Mounting:** Wall

**Sell Size:** 6" and 10"

**Input Voltage:** 24 or 115 VAC

**dBA @ 10 Feet:** 86 - 88

**Input Current:** 0.0410 (24 VAC), 0.085 (115 VAC)

**Applications:** Indoor or Outdoor (vandal resistant)

**Approvals:** UL, CSFM, FM, BFP, ULC

Model Number	Finish	Order Code
<b>6" Bells</b>		
43T-G6-24-R	Red	1627
43T-G6-24-S	Gray	1626
43T-G6-115-R	Red	1631
43T-G6-115-S	Gray	1630
<b>10" Bells</b>		
43T-G10-24-R	Red	1647
43T-G10-24-S	Gray	3800
43T-G10-115-R	Red	1651
43T-G10-115-S	Gray	3693

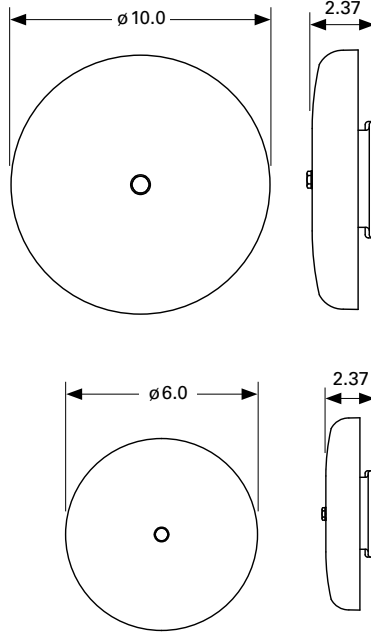
Mounting Options: D, E, J, K, N, O, P, R, S

#### Input Current

24VAC	115 VAC	dBA @ 10 ft.
0.410	0.085	86 - 88

**Note:** Reference pages 49-58 for additional mounting information.

**Motor Bells**



**MB Motor Bells**

**Available features and options:**

- Aluminum bell housing
- Integral RFI suppression minimizes induced noise on alarm lines
- Semi-flush or surface mounting to standard 4" square backboxes

**Finish Color:** Red or Gray

**Mounting:** Wall

**Sell Size:** 6" and 10"

**Input Voltage:** 12 or 24 VDC

**dBA @ 10 Feet:** 92

**Approvals:** UL, MEA, CSFM, FM, BFP, ULC

Model Number	Finish	Order Code
<b>6" Bells</b>		
MB-G6-12-R	Red	3942
MB-G6-12-S	Gray	4221
MB-G6-24-R	Red	3941
MB-G6-24-S	Gray	4222
<b>10" Bells</b>		
MB-G10-12-R	Red	3944
MB-G10-12-S	Gray	4223
MB-G10-24-R	Red	3943
MB-G10-24-S	Gray	4224

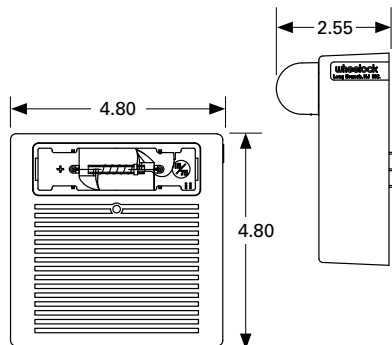
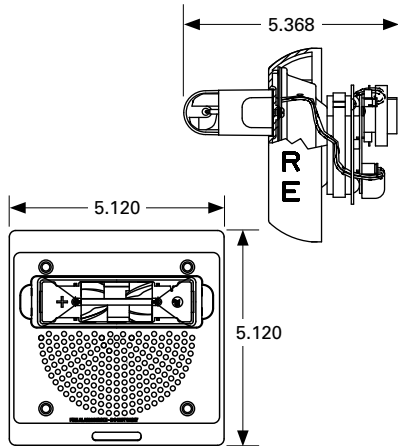
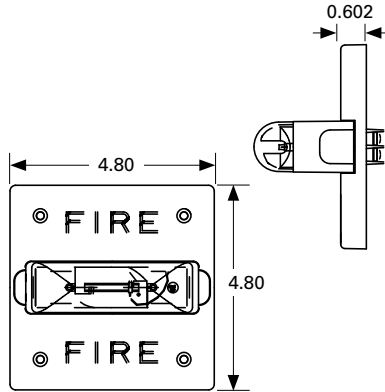
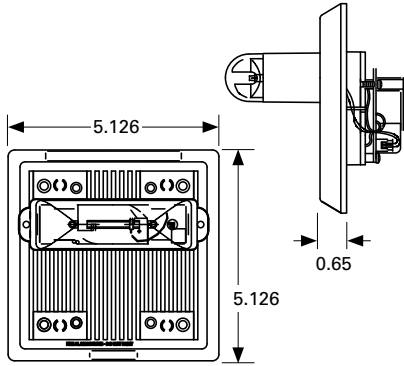
Mounting Options: D, E, J, K, N, O, P, R, S

**Input Current**

16-33 VDC	8-17.5 VDC	dBA @ 10 ft.
0.040	0.090	92

**Note:** Reference pages 49-58 for additional mounting information.

Weatherproof Appliances



**MTWP, RSSWP, ET70WP, ASWP, AHWP**  
Weatherproof Appliances

**Available features and options:**

- Weatherproof with extended temperature range of  $-40^{\circ}\text{F}$  to  $150^{\circ}\text{F}$
- Dual listed strobe models (UL 1638 and UL 1971)
- Industry's highest strobe candela options
- Synchronize using the Wheelock Sync Modules or panels with built-in Wheelock Patented Sync Protocol
- Models with field selectable tone, dBA and candela settings
- Surface or semi-flush mounting
- IN/OUT wiring termination accepting two #1–#18 AWG wires at each terminal
- Weatherproof kits available that include MTWP-2475W(C) or ET70WP-2575W(C) device and an IOB backbox

**Finish Color:** Red or White

**Mounting:** Wall or Ceiling

**Input Voltage:** Selectable 25/70 VRMS

**Voltage:** 24 VDC

**Selectable Taps:** 1/8–8 Watts

**Strobe Candela:**

- Selectable 135/185 (Wall models)
- 115/177 (Ceiling models) or 2475

**Temperature:**  $-40^{\circ}\text{F}$  to  $150^{\circ}\text{F}$

**Approvals:** UL, CSFM, FM, MEA, ULC (model dependent)

**Note:** Reference pages 49-58 for additional mounting information.

Model Number	Finish	Kit	Order Code
<b>Multitone Strobe Wall</b>			
MTWP-2475W-FR	Red		8420
MTWP-2475W-FW	White		3112
MTWP-24MCWH-FR	Red		5132
MTWP-24MCWH-FW	White		5134
MTWP-2475W-FR KIT	Red	Includes IOB-R backbox	9082
MTWP-2475W-FW KIT	White	Includes IOB-W backbox	9083
MTWP-2475W-NW KIT	White	Includes IOB-W backbox	9084
<b>Multitone Strobe Ceiling</b>			
MTWP-2475C-FR	Red		4457
MTWP-2475C-FW	White		4458
MTWP-24MCCH-FR	Red		5102
MTWP-24MCCH-FW	White		5122
<b>Audible Strobe Wall</b>			
ASWP-2475W-FR	Red		9012
ASWP-24MCWH-FR	Red		5137
ASWP-24MCWH-FW	White		5140
<b>Audible Strobe Ceiling</b>			
ASWP-2475C-FR	Red		4251
ASWP-2475C-FW	White		4502
ASWP-24MCCH-FR	Red		5149
ASWP-24MCCH-FW	White		5157
<b>Multitone Horn</b>			
MT-12/24-R	Red		5023
<b>Audible Wall or Ceiling</b>			
AH-24WP-R	Red		7416
AH-12WP-R	Red		7415
<b>Speaker Strobe Wall</b>			
ET70WP-2475W-FR	Red		9077
ET70WP-2475W-FW	White		3179
ET70WP-24185W-FR	Red		4885
ET70WP-24185W-FW	White		4891
ET70WP-2475W-FR KIT	Red	Includes IOB-R backbox	9078
ET70WP-2475W-FW KIT	White	Includes IOB-W backbox	9079
ET70WP-24135W-NW	White		1111
ET70WP-24135W-FR	Red		4872
ET70WP-24135W-FW	White		4875
ET70WP-24135W-ALW	White		6407
<b>Speaker Strobe Ceiling</b>			
ET70WP-2475C-FR	Red		4452
ET70WP-2475C-FW	White		4454
ET70WP-24177C-FR	Red		4845
ET70WP-24177C-FW	White		4859
ET70WP-24115C-FR	Red		4550
ET70WP-24115C-FW	White		4732
ET70WP-24115C-NW	White		3552
<b>Speaker Wall or Ceiling</b>			
ET-1010-R	Red		3135
ET-1010-W	White		3137
<b>Wall Strobe</b>			
RSSWP-2475W-FR	Red		9013
RSSWP-2475W-FW	White		3034
RSSWP-24MCWH-FR	Red		5161
RSSWP-24MCWH-FW	White		5165
<b>Ceiling Strobe</b>			
RSSWP-2475C-FR	Red		4338
RSSWP-2475C-FW	White		4446
RSSWP-24MCCH-FR	Red		5167
RSSWP-24MCCH-FW	White		5187

### Candela Ratings

Series	UL 1971	UL 1638 @ 77°F	UL 1638 @ -40°F	RSS, ET70WP and MTWP UL Max Current
2475W	30**	180	115	0.138
2475C	15	180	115	0.138
MCWH	135	135	56	0.300
	185	185	77	0.420
MCCH	115	115	47	0.300
	177	177	73	0.420
24185	185	185	77	0.420
24177	177	177	73	0.420

### Backboxes, Plates, Gasket Kits

Mounting Options	Surface Mount		Flush Mount
	Exposed Conduit	Concealed Conduit	
RSSWP Strobes	WPSBB	WPSBB + WP-KIT	WFP
ET70WP Speaker Strobes	IOB	IOB + WP-KIT	WFP
ASWP Horn Strobes	WPBB	WPBB + WP-KIT	WFPA
AHWP Horns	WBB	---	WFP
ET-1010 Speakers	WBB	---	WFP
MTWP Multitone Strobes	IOB	IOB + WP-KIT	WFP
Multitone	IOB	IOB + WP-KIT	WFP

### Mounting Options

Model Number	Finish	Order Code
<b>Flush Plates</b>		
WFPA-R	Red	5698
WFPA-W	White	4701
WFP-R	Red	4696
WFP-W	White	4697

<b>Gasket Kit</b>	
WP-KIT <sup>1</sup>	4486

<b>Backboxes</b>		
IOB-R	Red	5046
IOB-W	White	5047
WPSBB-R	Red	9751
WPSBB-W	White	3033
WPBB-R	Red	9014
WPBB-W	White	4692
WBB-R	Red	2959
WBB-W	White	2960

<sup>1</sup>WP-KIT: Allows for surface mounting of a weatherproof backbox to a recessed electrical box.

### UL Max. Current (Audible)

dBA	MTWP/MT 16-33 VDC		MT 8-17.5 VDC	
	HI	STD	HI	STD
Horn	0.108	0.044	0.177	0.034
Bell	0.053	0.024	0.095	0.020
March Time Horn	0.104	0.087	0.142	0.034
Code-3 Horn	0.122	0.035	0.200	0.034
Code-3 Tone	0.135	0.035	0.152	0.021
Slow Whoop	0.098	0.037	0.142	0.035
Siren	0.104	0.036	0.152	0.030
Hi/Lo	0.057	0.025	0.114	0.026

### UL Max. Current

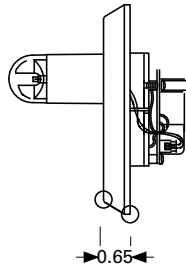
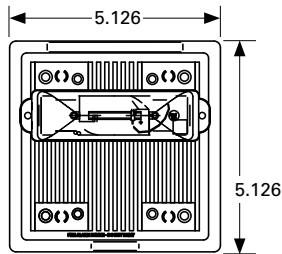
	AH 16-33 VDC		8-17.5 VDC	
	High (99) dBA	0.080		0.192
Med (95) dBA	0.043		0.108	
Low (90) dBA	0.021		0.058	

### ASWP

	High	Med	Low
	0.168	0.155	0.150
	0.168	0.155	0.150
	0.355	0.340	0.335
	0.480	0.465	0.460
	0.355	0.340	0.335
	0.480	0.465	0.460

\*\*Wall mount rating only

## Colored Lens Appliances



## ET, MT, MTWP, RSSWP Colored Lens Appliances

### Available features and options:

- Designed for effective alerting of employees and personnel in industrial, military or government applications
- Wide operating voltage range

**Lens Colors:** Amber, Blue, Green, Red

**Mounting:** Wall or Ceiling

**Voltage:** 24 VDC

**Approvals:** UL

Product Type	Model Number	Color	Order Code
<b>Weatherproof Strobes</b>	<b>75cd</b>		
	RSSWPA-2475W-NW	Amber	0240
	<b>115/177cd</b>		
	RSSWPA-24MCCH-NW	Amber	6158
	RSSWPB-24MCCH-NW	Blue	6159
	RSSWPG-24MCCH-NW	Green	6160
	RSSWPR-24MCCH-NW	Red	6161
<b>Weatherproof Speaker Strobes</b>	ET70WPA-2475W-NW	Amber	0220
<b>Multitones</b>	<b>115/177cd</b>		
	MTA-24MCCH-NW	Amber	6167
	MTB-24MCCH-NW	Blue	6168
	MTG-24MCCH-NW	Green	6169
	MTR-24MCCH-NW	Red	6170
<b>Weatherproof Multitones</b>	MTA-121575W-NW	Amber	0048
<b>Weatherproof Multitones</b>	MTWPA-2475W-NW	Amber	1649
	MTWPB-2475W-NW	Blue	9085
	<b>115/177cd</b>		
	MTWPA-24MCCH-NW	Amber	6171
	MTWPB-24MCCH-NW	Blue	6172
	MTWPG-24MCCH-NW	Green	6173
	MTWPR-24MCCH-NW	Red	6174

Candela is measured on axis per UL 1638. Models with MCC strobes have 4 field selectable candela settings. MCC settings are rated for clear lens—derate approximately 25% for amber, 55% for green and 70% for blue lenses.

### UL Max. Current

Series	16–33 VDC		
	15/75cd	115cd	177cd
RSSWP/MTWP	0.138	0.300	0.420

Series	8–17.5 VDC
	15/75cd
MT	0.255

**Note:** Reference pages 49-58 for additional mounting information.



# Eluxa High Fidelity Speakers and Speaker Strobes



## With the widest frequency response range available, our speakers provide crisp, clear voice messages

Designed for high fidelity sound output, the Wheelock Eluxa speakers by Eaton not only feature the widest frequency response range in the industry, but also an advanced power saving LED technology with a full range of candela settings for indoor wall and ceiling-mount applications. With a response range of 300 to 8000 Hz, the Eluxa ELSPK and ELSPST feature leading intelligibility with crisp, clear voice messages and tone signaling, ideal for emergency communications, mass notification, voice evacuation and fire alarm.

Eaton's high energy efficient technology leads the industry in lowest current draw, which reduces overall power consumption and costs in fire alarm systems. As the first notification appliances in the industry to utilize LED as the light source, this breakthrough and patented optical design, resulting in best-in-class efficiency, enables material and system cost savings, allowing for a greater number of appliances on the notification appliance circuit and fewer power supplies.

With the industry's smallest footprint, the Eluxa speakers and speaker strobes are aesthetically pleasing to building owners as the low profile design does not detract from the interior decor. Eluxa is feature rich with 6 candela settings in 1 device, dual voltage (25/70 VRMS) capability, field selectable taps from 1/8 to 2 watts (5W - 70V), pre-wire/pre-test via mounting plate with hinged feature for ease-of-installation, and no tools needed for setting changes. These products are suitable for indoor wall and ceiling mount applications. The ELSPST speaker strobes and ELSPK speakers are 24V operation. Amber lens speaker strobes and special lettering are available.

### High-fidelity sound output

- Efficient design for high intelligibility at minimum wattage
- Frequency range: 300 to 8000 HZ—widest range in the industry

### Energy efficient

- LED technology provides industry's lowest current draw
- Fewer power supplies required, smaller wire gauge, reduced wire runs

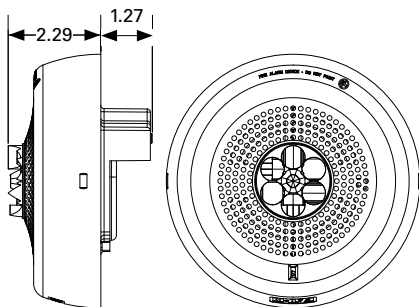
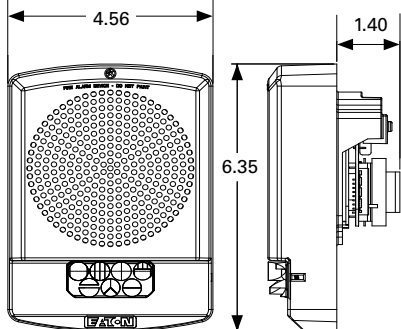
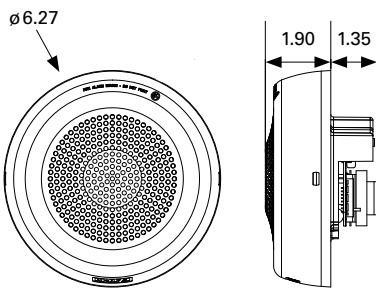
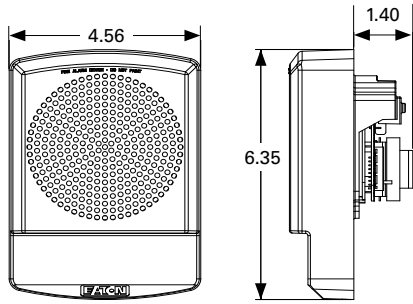
### Low-profile design

- One of the smallest footprints with sleek, modern aesthetics

### Easy to install

- Mounting plate included with all models: Convenient capture hinge allows installers to easily hold the device while fastening the single-mount screw in place
- Pre-wire/pre-test capability to check for wiring and ground faults prior to appliance installation
- Finger slide switches—no tools needed for setting changes
- Built-in adjustment feature and snap-on grille

Speaker and Speaker Strobes



**Eluxa High-Fidelity Speakers and Speaker Strobes**

**Available features and options:**

- High-fidelity sound output
- High intelligibility with a frequency range—300 to 8000 HZ—widest range in the industry
- Low frequency requirements of UL 464 (520 Hz) to meet NFPA's 520 Hz tone requirements for sleeping areas

**Finish Color:** Red or White

**Mounting:** Wall or Ceiling

**Special Lettering**

**Input Voltage:** Selectable 25/70 VRMS

**Selectable Taps:** 1/8–2 Watts (5W - 70V)

**Strobe Candela:**

- Wall: Selectable 15/30/75/110/135/185cd
- Ceiling: Selectable 15/30/75/110/150/177cd

**Backbox Mounting Options:**

- Wall: Eluxa ELSPKBB backboxes and 4" square backboxes
- Ceiling: Exceder LSPKBB-C backboxes, 4" square (1-1/2" or 2-1/8" deep) and 4" octagonal (1-1/2" or 2-1/8" deep)

**Approvals:** UL, ULC, CSFM

**Wall Mount Speakers**

Model Number	Finish	Lettering
ELSPKR	Red	FIRE
ELSPKW	White	FIRE
ELSPKR-AL	Red	ALERT
ELSPKW-AL	White	ALERT
ELSPKR-N	Red	No lettering
ELSPKW-N	White	No lettering

Mounting Options: RR

**Wall Mount Speaker Strobes**

Model Number	Finish	Lettering
ELSPSTR	Red	FIRE
ELSPSTW	White	FIRE
ELSPSTR-AL	Red	ALERT
ELSPSTW-AL	White	ALERT
ELSPSTR-N	Red	No lettering
ELSPSTW-N	White	No lettering
ELSPSTR-M	Red	EMERGENCY
ELSPSTW-M	White	EMERGENCY

Mounting Options: NN

**Ceiling Mount Speakers**

Model Number	Finish	Lettering
ELSPKRC	Red	FIRE
ELSPKWC	White	FIRE
ELSPKRC-AL	Red	ALERT
ELSPKWC-AL	White	ALERT
ELSPKRC-N	Red	No lettering
ELSPKWC-N	White	No lettering

Mounting Options: OO

**Ceiling Mount Speaker Strobes**

Model Number	Finish	Lettering
ELSPSTRC	Red	FIRE
ELSPSTWC	White	FIRE
ELSPSTRC-AL	Red	ALERT
ELSPSTWC-AL	White	ALERT

Mounting Options: OO

**UL Max. Current**

16.0–33.0 VDC

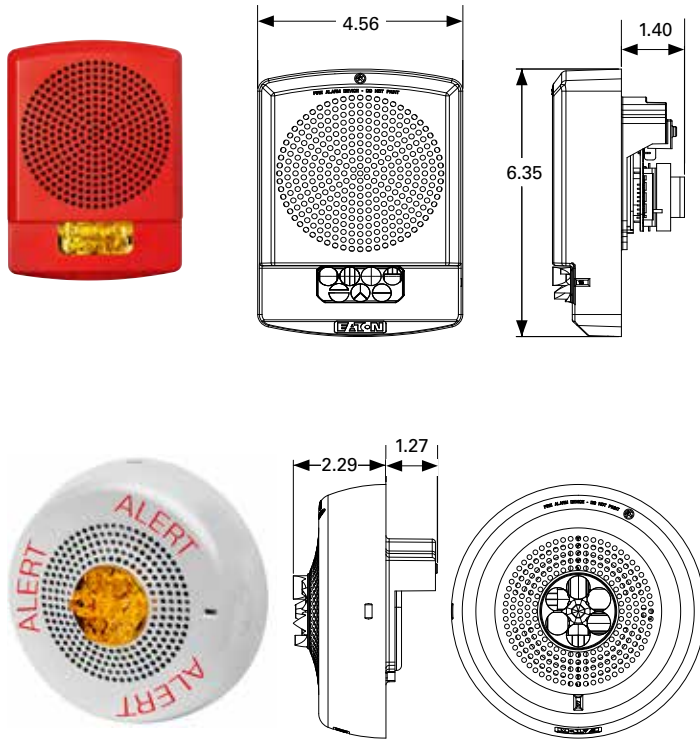
Model	15cd	30cd	75cd	110cd	135cd	150cd	177cd	185cd
ELSPST	0.022	0.030	0.060	0.086	0.125	–	–	0.185
ELSPSTC	0.022	0.030	0.060	0.086	–	0.125	0.185	–

**UL Reverberant dBA @ 10 Feet**

Model	Watts				
	1/8	1/4	1/2	1	2 (5W - 70V)
ELSPK	75	79	82	85	87
ELSPST	75	79	82	85	87
ELSPKC	75	79	82	85	87
ELSPST	75	79	82	85	87

**Note:** Reference pages 49-58 for additional mounting information.

**Speaker Strobes**



**Wall Mount Speaker Strobes**

Model Number	Finish	Lettering
ELSPSTR-ALA	Red	ALERT
ELSPSTW-ALA	White	ALERT
ELSPSTW-NA	Red	No Lettering
ELSPSTR-NA	White	No Lettering

Mounting Options: RR

**Ceiling Mount Speaker Strobes**

Model Number	Finish	Lettering
ELSPSTRC-ALA	Red	ALERT
ELSPSTWC-ALA	White	ALERT
ELSPSTRC-NA	Red	No Lettering
ELSPSTWC-NA	White	No Lettering

Mounting Options: OO

**Eluxa High-Fidelity Amber Lens Speaker Strobes**

**Available features and options:**

- High-fidelity sound output
- High intelligibility with a frequency range—300 to 8000 HZ—widest range in the industry
- Ideal for mass notification applications

**Finish Color:** Red or White

**Mounting:** Wall or Ceiling

**Amber Lens and Special Lettering**

**Input Voltage:** Selectable 25/70 VRMS

**Selectable Taps:** 1/8–2 Watts (5W - 70V)

**Strobe Candela:**

- Wall: Selectable 15/30/75/110/135/185 cd
- Ceiling: Selectable 15/30/75/110/150/177 cd

**Backbox Mounting Options:**

- Wall: Eluxa ELSPKBB backboxes and 4" square backboxes
- Ceiling: LSPKBB-C backboxes, 4" square (1-1/2" or 2-1/8" deep) and 4" octagonal (1-1/2" or 2-1/8" deep)

**Approvals:** UL, ULC, CSFM

**UL Max. Current**

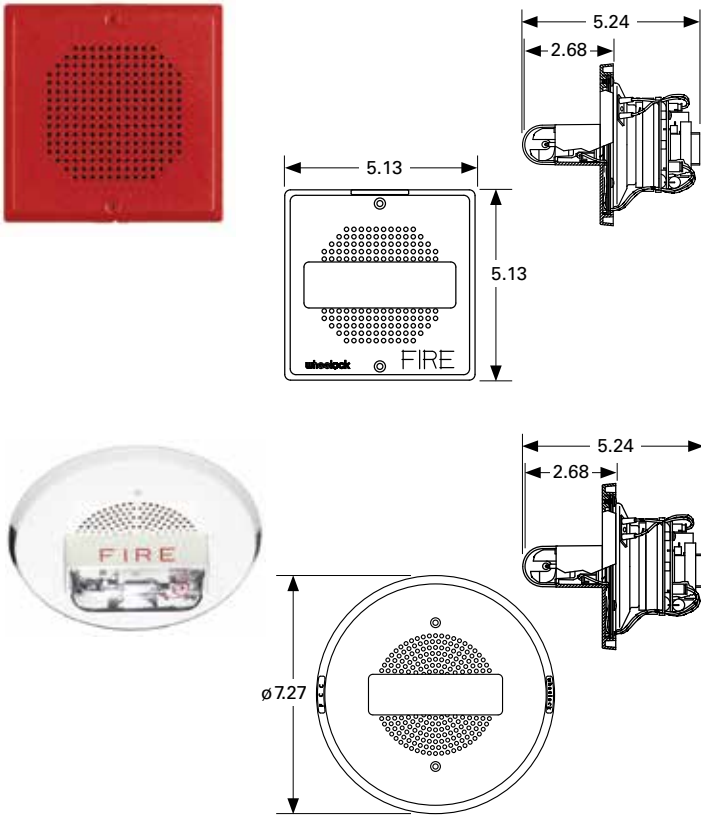
Model	16.0–33.0 VDC							
	15cd	30cd	75cd	110cd	135cd	150cd	177cd	185cd
ELSPST	0.022	0.030	0.060	0.086	0.125	–	–	0.185
ELSPSTC	0.022	0.030	0.060	0.086	–	0.125	0.185	–

**UL Reverberant dBA @ 10 Feet**

Model	Watts				
	1/8	1/4	1/2	1	2 (5W- 70V)
ELSPST	75	79	82	85	87
ELSPSTC	75	79	82	85	87

**Note:** Reference pages 49-58 for additional mounting information.

Speakers & Speaker Strobes



**E70/E90 Low Profile Speakers and Speaker Strobes**

**Available features and options:**

- Replaceable grills
- Designed for high efficiency output
- Standard backboxes
- Strobe synchronization

**Finish Color:** Red or White

**Mounting:** Wall or Ceiling

**Input Voltage:** Selectable 25/70 VRMS

**Selectable Taps:** 1/8–2 Watts

**Grills:** Square or Round, Metal

**Approvals:** UL, CSFM

**Wall Mount Speaker Strobes**

Model Number	Finish	Order Code
<b>15/30/75/110cd</b>		
E70-24MCW-FR	Red	9022
E70-24MCW-FW	White	9023
<b>135/185cd</b>		
E70-24MCWH-FR	Red	3470
E70-24MCWH-FW	White	3474

**Ceiling Mount Speaker Strobes**

Model Number	Finish	Order Code
<b>15/30/75/95cd</b>		
E90-24MCC-FR	Red	3165
E90-24MCC-FW	White	3166
<b>115/117cd</b>		
E90-24MCCH-FR	Red	3481
E90-24MCCH-FW	White	3471

Mounting Options: Q, U, V

**Wall or Ceiling Mount Speakers**

Model Number	Finish	Order Code
<b>Square</b>		
E70-R	Red	7866
E70-W	White	7868
<b>Round</b>		
E90-R	Red	7867
E90-W	White	7869

Mounting Options: L, O, P, Q, R, U, Y (E70), V (E90)

**UL Max. Current: E70 Wall Mount Speaker Strobes**

16–33 VDC						
15cd	30cd	75cd	110cd	135cd	185cd	
0.060	0.092	0.165	0.220	0.300	0.420	

**UL Max. Current: E90 Ceiling Mount Speaker Strobes**

16–33 VDC						
15cd	30cd	75cd	95cd	115cd	177cd	
0.065	0.105	0.189	0.249	0.300	0.420	

**E70/E90 UL Reverberant dBA @ 10 ft.**

Model	Watts				
	1/8	1/4	1/2	1	2
E Speaker	72	75	78	81	83/82
E Speaker Strobe	71/74	75/77	78/80	81/82	83/85

**Note:** Reference pages 49-58 for additional mounting information.

**Colored Lens Speaker Strobes**



See Pages 40-41 for E50, E70 and E90 product dimensions.



**E Colored Lens Speaker Strobes**

**Available features and options:**

- Designed for effective alerting of employees and personnel in industrial, military or government applications
- Wide operating voltage range

**Lens Colors:** Amber, Blue, Red, Green

**Mounting:** Wall or Ceiling

**Voltage:** 24 VDC

**Strobe Candela:** 24MCW: 15cd 30cd 75cd 110cd  
 24MCC: 15cd 30cd 75cd 95cd  
 24MCWH: 135cd 185cd

**Approvals:** UL (24110W models do not have UL)

Product Type	Model Number	Color	Order Code
Speaker Strobes	<b>15/30/75/95cd</b>		
	E70A-24MCC-NW	Amber	0209
	E70B-24MCC-NW	Blue	0210
	E90A-24MCC-NW	Amber	0213
	E90B-24MCC-NW	Blue	0214
	E70R-24MCC-NW	Red	1628
	E90R-24MCC-NW	Red	5912
	E90R-24MCC-ALW	Red	5913
	E70B-24MCC-NW	Blue	0210
	E90B-24MCC-NW	Blue	0214
E90G-24MCC-NW	Green	9421	

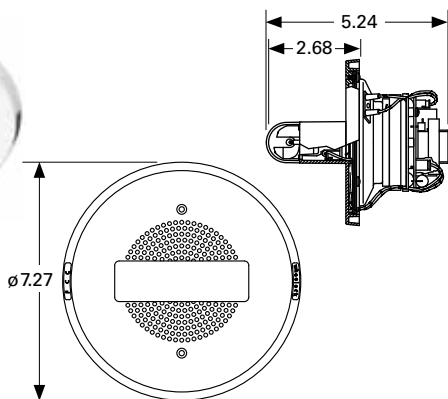
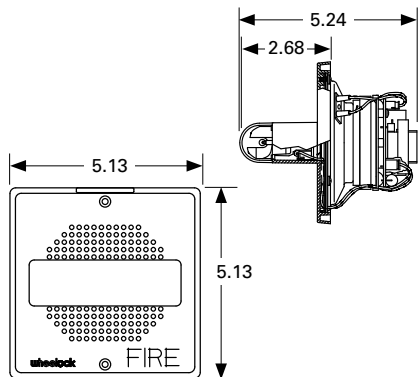
Candela is measured on axis per UL 1638. Models with MCC strobes have 4 field selectable candela settings. MCC settings are rated for clear lens—derate approximately 25% for amber and 70% for blue lenses.

**UL Max. Current**

Series	16-33 VDC			
	15cd	30cd	75cd	95cd
E70, E90	0.065	0.105	0.189	0.249

**Note:** Reference pages 49-58 for additional mounting information.

Speakers & Speaker Strobes



Wall Mount Speaker Strobes

Model Number	Finish	Order Code
<b>15/30/75/110cd</b>		
ET70-24MCW-FR	Red	9020
ET70-24MCW-FW	White	9021
<b>135/185cd</b>		
ET70-24MCWH-FR	Red	3472
ET70-24MCWH-FW	White	3475

Ceiling Mount Speaker Strobes

Model Number	Finish	Order Code
<b>15/30/75/95cd</b>		
ET90-24MCC-FR	Red	3165
ET90-24MCC-FW	White	3166
<b>115/117cd</b>		
ET90-24MCCH-FR	Red	3481
ET90-24MCCH-FW	White	3471

Mounting Options: Q, U, V

ET70/ET90 Low-Profile Speakers and Speaker Strobes

Available features and options:

- Replaceable grills
- High audio output with clear audibility
- Standard backboxes
- Strobe synchronization

**Finish Color:** Red or White

**Mounting:** Wall or Ceiling

**Input Voltage:** Selectable 25/70 VRMS

**Selectable Taps:** 1/8–8 Watts

**Strobe Candela:** Selectable 15/30/75/110 or 135/185, 15/30/75/95 or 115/177, depending on model

**Grills:** Square or Round, Metal

**Approvals:** UL, MEA, CSFM, FM, BFP

Wall or Ceiling Speakers

Model Number	Finish	Order Code
<b>Square</b>		
ET70-R	Red	7840
ET70-W	White	7844
<b>Round</b>		
ET90-R	Red	7842
ET90-W	White	7846

Mounting Options: L, O, P, Q, U, Y (ET70), V (ET90)

UL Max. Current: ET70 Wall Mount Speaker Strobes

16–33 VDC						
15cd	30cd	75cd	110cd	135cd	185cd	
0.060	0.092	0.165	0.220	0.300	0.420	

UL Max. Current: ET90 Ceiling Mount Speaker Strobes

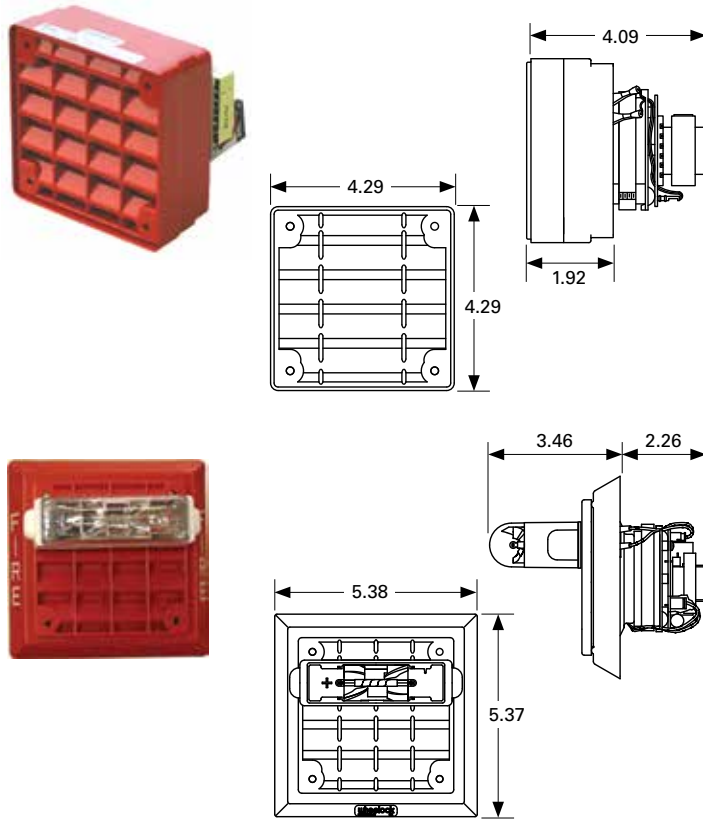
16–33 VDC						
15cd	30cd	75cd	95cd	115cd	177cd	
0.065	0.105	0.189	0.249	0.300	0.420	

ET70/ET90 UL Reverberant dBA @ 10 ft.

Model	Watts						
	1/8	1/4	1/2	1	2	4	8
ET Speaker	75	78	81	84	87	90	93

**Note:** Reference pages 49-58 for additional mounting information.

**Speakers & Speaker Strobes**



**ET1010/ET80 Vandal Resistant Speakers and Speaker Strobes**

**Available features and options:**

- Sealed back speaker
- Fast installation with IN/OUT screw terminals using #12 to #18 AWG wiring
- Audio inputs include a 10 uF blocking capacitor for compatibility
- Replaceable grills
- Standard backboxes
- Strobe synchronization

**Finish Color:** Red or White

**Mounting:** Wall or Ceiling

**Input Voltage:** Selectable 25/70 VRMS

**Selectable Taps:** 1/8–8 Watts

**Strobe Candela:** Selectable 15/30/75/110 or 135/185, depending on model

**Applications:** Indoor or Outdoor (vandal resistant)

**Approvals:** UL, MEA, CSFM, FM, BFP, ULC

**Wall Mount Speaker Strobes**

Model Number	Finish	Order Code
<b>15/30/75/110cd</b>		
ET80-24MCW-FR	Red	3476
ET80-24MCW-FW	White	3477
<b>135/185cd</b>		
ET80-24MCWH-FR	Red	3478
ET80-24MCWH-FW	White	3479

**Wall or Ceiling Mount Speakers**

Model Number	Finish	Order Code
ET-1010-R	Red	3135
ET-1010-W	White	3137
ET-1080-R	Red	3141
ET-1080-W	White	3142

Mounting Options: K, N, O (ET-1010) O, P, Q, Y (ET-1080)

**UL Max. Current: ET80 Wall Mount Speaker Strobes**

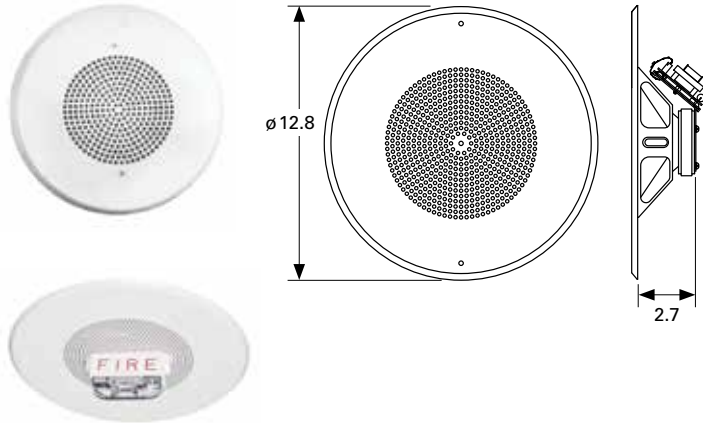
16–33 VDC					
15cd	30cd	75cd	110cd	135cd	185cd
0.060	0.092	0.165	0.220	0.300	0.420

**UL Reverberant dBA @ 10 ft.**

Model	Watts						
	1/8	1/4	1/2	1	2	4	8
ET-1010	77	80	83	86	87	92	94
ET-1080 & ET80	78	81	84	87	90	92	94

**Note:** Reference pages 49-58 for additional mounting information.

## Speakers & Speaker Strobes



## S 8" Speaker and Speaker Strobes

### Available features and options:

- Multicandela or high intensity
- High efficiency sound output
- Strobe synchronization
- Low frequency requirements of UL 464 (520 Hz) to meet NFPA's 520 Hz tone requirements for sleeping areas

**Finish Color:** White

**Mounting:** Ceiling

**Frequency range:** 200 Hz to 15000 Hz ; 400 Hz to 4000 Hz ( UL )

**Input Voltage:** Selectable 25/70 VRMS

**Selectable Taps:** 1/8–8 Watts

**Grills:** Round, Metal

**Approvals:** UL, MEA, CSFM, FM, BFP, ULC

### Ceiling Mount Speaker Strobes

Model Number	Finish	Order Code
<b>15/30/75/95cd</b> S8-24MCC-FW	White	0054
<b>115/177cd</b> S8-24MCCH-FW	White	0056

### Ceiling Mount Speaker

Model Number	Finish	Order Code
S8-70/25	White	0052

Mounting Options: CBB-8 Speaker Back Box (3314)  
SSB-8 Speaker Support Bridge (3573)

### UL Max. Current

#### 16–33 VDC

15cd	30cd	75cd	95cd	115cd	177cd
0.065	0.105	0.189	0.249	0.300	0.420

### UL Reverberant dBA @ 10 ft.

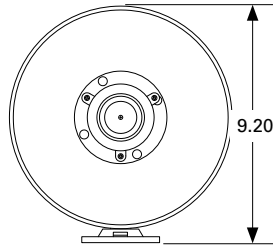
#### Watts

1/8	1/4	1/2	1	2	4	8
75	78	81	84	87	90	93

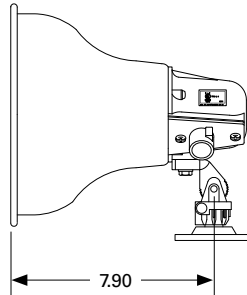
**Note:** Reference pages 49-58 for additional mounting information.



**Horn Loudspeaker**



**Note:** The SHMP plate is sold separately.



**STH-15S Supervised Horn Loudspeaker**

**Available features and options:**

- Equipped with compression driver providing up to 15 watts of power
- Superior intelligibility and dispersion

**Finish Color:** Red or Gray

**Mounting:** Wall or Ceiling

**Power Rating:** 15 Watt Continuous

**Frequency Response:** 400–4,000 Hz

**Sensitivity:** 102 dB @ 15 Watts @ 10ft

**Dispersion:** 70° (–6 dB @ 2,000 Hz Octave Band)

**Transformer:** 25/70

**Approvals:** UL Standard 1480, CSFM

**Horns**

Model Number	Finish	Order Code
STH-15S	Gray	7937
STH-15SR	Red	7938

Mounting Options: L, O, P, Q, R, U, Y

**Anechoic Measurement**

Code 3 Tone	101 dBA
Slow Whoop	101 dBA
Siren	101 dBA

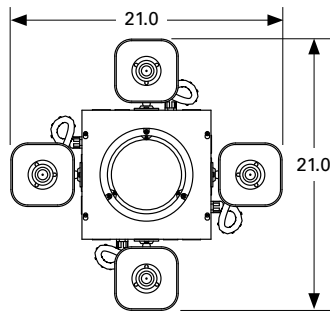
**Adapter Plate**

Model Number	Finish	Order Code
SHMP-R	Red	8154

Setting	Impedance (Ohms)	70.7 Volts		25 Volts	
		Watts	dB @ 10 ft.	Watts	dB @ 10 ft.
1	5,554	0.9W	91	Not used	Not used
2	2,777	1.8W	93	Not used	Not used
3	1,315	3.8W	96	0.48W	87
4	666	7.5W	98	0.94W	90
5	333	15.0W	101	1.8W	93
6	83	Not used	Not used	7.5W	98
7	42	Not used	Not used	15.0W	100

**Note:** Reference pages 49-58 for additional mounting information.

## Cluster



## STH Cluster with Max Strobe

### Available features and options:

Designed for ceiling or wall mounting for high ambient noise environments. Available in multiple configurations. A speaker/visual (STH-MSR) and speaker only (STH-R or STH-G) alerting system.

All alerting systems are equipped with UL listed STH-15SR or STH-15S supervised horn loudspeakers and the speaker/visual system has a UL listed DC-MAX-C strobe, mounted to a steel enclosure.

- Cluster Speaker systems come fully assembled.
- High efficiency unit for life safety and/or general communication announcing/notification
- Provides high-intelligibility voice reproduction and available high intensity visual alerting for emergency alarm and protective signaling
- Omni-directional sound

**Finish Color:** Red or Gray

**Mounting:** Wall or Ceiling

**Size:** Prefabricated 10" x 10" x 6" steel enclosure

**Sensitivity:** 102 dB @ 15 watts @ 10 ft. per horn

**Strobe Output:** 100cd at 60 double flashes per minute

**Approvals:** UL Standard 1480 and 1638

## STH Cluster with MAX Strobe

Model Number	Finish	Order Code
STH-4MS-R	Red	8157
STH-3MS-R	Red	8156
STH-2MS-R	Red	8155
STH-4R	Red	8186
STH-3R	Red	9753
STH-2R	Red	9752
STH-2G	Gray	0101

**Note:** Not intended for wash down areas or outdoor applications. (See weatherproof series).

The Series Cluster Speakers with MAX strobes are not intended for UL required Fire Life Safety applications.

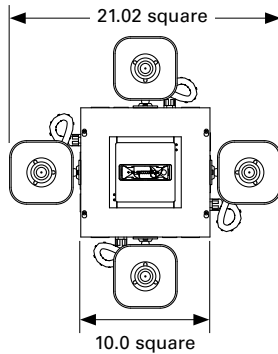
The Series Cluster Speakers are a special order.

**Note:** Reference pages 49-58 for additional mounting information.

**Cluster with RSS Strobe**



Available with 2, 3 or 4 STH-15S horns



**STH Cluster with RSS Strobe**

**Available features and options:**

Supervised Speaker Strobe supplied with 2, 3, or 4 STH-15SR horns and one RSS-24MCCH ceiling strobe (red, white, no lettering) mounted to a NEMA 1 steel enclosure

**Finish Color:** Red

**Mounting:** Wall, Ceiling

**Size:** Prefabricated 10" x 10" x 6" steel enclosure

**Sensitivity:** 102 dB @ 15 watts @ 10 ft. per horn

**Strobe Candela:** High Intensity, Selectable 115/177

**Approvals:** UL Standard 1480 (Horns), UL 1971 (RSS Strobes), UL Standard 1638 (Colored Lens Strobes)

**Option:** Weatherproof clusters are available. Contact customer service for information.

**STH Cluster with RSS Strobe**

Model Number	Finish	Order Code
<b>4 Horns</b>		
STH-4R24MCCH-FR	Red	3090
STH-4R24MCCH-NR	Red (no ltr)	3089
STH-4R24MCCH-FW	White	0235
STH-4R24MCCH-NW	White (no ltr)	0239
<b>3 Horns</b>		
STH-3R24MCCH-FR	Red	3145
STH-3R24MCCH-NR	Red (no ltr)	3144
STH-3R24MCCH-FW	White	0234
STH-3R24MCCH-NW	White (no ltr)	0238
<b>2 Horn</b>		
STH-2R24MCCH-FR	Red	3143
STH-2R24MCCH-NR	Red (no ltr)	3146
<b>4 Horn</b>		
STH-90-R24MCCH-FR	Red	0522
STH-90-R24MCCH-NR	Red (no ltr)	3227

**UL Max. Current**

	115cd	177cd
24 VDC	0.300	0.420

**Note:** Reference pages 49-58 for additional mounting information.



## Manual Pull Stations

Pull stations for activation of fire alarm control panels featuring high quality, die-cast metal construction and single, dual and explosion-proof models for long-lasting performance.

## Manual Pull Stations

**MPS Manual Pull Stations****Available features and options:**

- Single or dual action
- Key reset
- Terminal strip connections
- Corrosion-resistant, gold-plated SPST contacts
- Surface and weatherproof backboxes available
- Plastic breakrod
- High-gloss red enamel finish, raised white lettering

**Finish Color:** Red, die-cast metal

**Mounting:** Wall

**Backbox:** Single Gang

**Ratings:** Normally open contact will close when the pull station is activated and is rated for 30 VDC @ 1 amp and/or 120 VAC @ 1 amp

**Approvals:** UL, FM, CSFM, MEA and Class I, Division I, Groups B, C and D; Class II, Groups E, F and G; and Class III hazardous environments (MPS-400X)

Model Number	Finish	Order Code	Mounting
<b>Single Pull Station</b>			
MPS-100	Red	8400	MPS-ISB, MPS-WP
MPS-200	Red	8401	MPS-ISB, MPS-WP
<b>Explosion Proof</b>			
MPS-400X	Red	8403	Backbox Provided
<b>Backboxes</b>			
MPS-ISB	Red	8404	
MPS-WP	Red	8405	
<b>Breakrods</b>			
MPS-RODS	Red	8406	

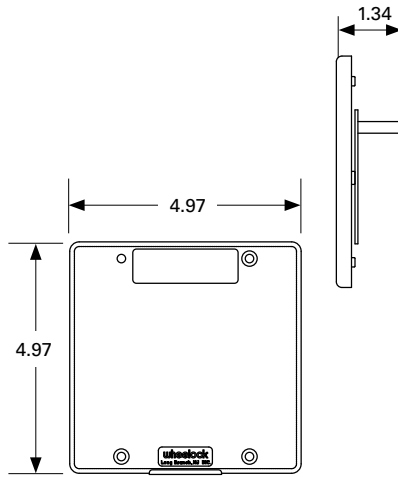


## Sync Modules/Power Supplies

Sync modules provide synchronization of strobe flashes and code 3 temporal evacuation alarm produced by Wheelock for single and dual class applications.

8-Amp filtered and regulated, supervised remote power supply/battery chargers are available for supervision and expanded power driving capability of fire alarm notification appliance circuits.

**Sync Module**



**DSM Sync Module**

**Available features and options:**

- Uniquely designed to accept an independent strobe and audible input from the FACP and convert to a single output that connects to Wheelock's Series Exceder or AS family of audible strobes
- Synchronizes Wheelock strobes, horn strobes, and speaker strobes
- 3-Ampere-per-circuit current handling at 12 or 24 VDC
- Compatible with all standard fire alarm control panels
- Meets the NFPA-72 requirement for Temporal Pattern when used with the Series AS/AH and/or Series Exceder
- 3-year warranty

**Finish Color:** Red

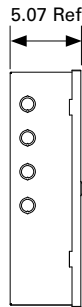
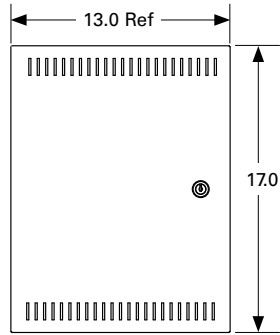
**Mounting:** Wall

**Voltage:** 12 or 24 VDC (3 ampere per circuit)

**Approvals:** UL, CSFM, MEA, BFP, FM, ULC

<b>Model Number</b>	<b>Finish</b>	<b>Order Code</b>
DSM-12/24-R	Red	6374

**Power Supplies**



**PS-8-LP Power Supplies**

**Available features and options:**

- Regulated 8 amps of NAC power, 3amps/NAC, 4 NACs (2 Class A)
- 2 input circuits, programming matrix to NAC outputs
- T3 (fire) and T4 (CO) inputs for NACs
- 2 internal programmable relays, including AC Fail w/delay
- Expandable to 8 Class B or 4 Class A NACs (same box)
- Superior diagnostics – up to 37 discrete troubles
- Individual Ground Fault detection by NAC conductor
- Up to 32AH battery charger
- Dedicated Synchronization bus between PS-8s

**Finish Color:** Red or Black

**Input Voltage Range:** 8–33 VDC

**Primary PS-8-LP (120VAC):** 105 to 130VAC, 50/60 Hz @ 5.32 amps

**International 210-260 VAC:** see models below

**Approvals:** UL Standard 864, 1481, 2572; CSFM; FM

Model Number	Finish	Order Code
PS-8-LP	105540	8 amp power supply, red enclosure, 120V
PS-8E-LP	105542	8 amp power supply, red enclosure, 220V
PS-8-B-LP	105587	8 amp power supply, black enclosure, 120V
PS-8E-B-LP	105555	8 amp power supply, black enclosure, 240V
PS-8-EXP-LP	105553	8 amp power supply with preinstalled expansion module, red enclosure, 120V
PS-8E-EXP-LP	105552	8 amp power supply with preinstalled expansion module, red enclosure, 240V
PS-EXP	105334	4 class B or 2 class A expan. mod

Input Circuit	Input Voltage and Current
Input voltage Range	8 to 33 VDC
Input Current @ 12 VDC	0.005 amps
Input Current @ 24 VDC	0.005 amps

Model	Dimensions	Comments
PS-8-LP	17”H x 13”W x 3.5”D	Small profile
PS-EXP	4.3”H x 3.7”W x 1”D	Plugs into main pcb on all models

Input Circuit	Input Voltage and Current
Four (4) Class B or Two (2) Class A or One (1) Class A and Two (2) Class “B” or 8 Class B or 4 Class A (optional PS-EXP module necessary)	24 VDC @ up to 3 amps per circuit
Standby Current	0.129 Amps
Alarm Current	0.129 Amps
Primary Panel Power (120 VAC models)	105 to 130 VAC, 60 Hz @ 5.0 Amps
Primary Panel Power (240 VAC models)	210 to 260 VAC, 60 Hz @ 2.5 Amps
Secondary Power Charging Capacity	32 Amp hours
Enclosure can house 7 AH batteries	

Aux Output	
CP Mode	PS-8 up to 250 mA
MP Mode	2.5A during non alarm





## Accessories

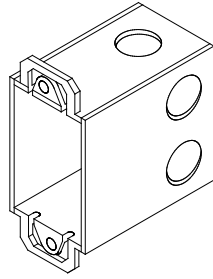
- Mounting Options
- Appliance Enclosures
- Agency Approvals

## Mounting Options

### (B) Single-Gang, Flush (B0)

Used with Series MIZ, RSS

See Notes 1 & 8

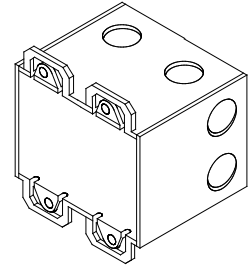


#### Maximum Number of Conductors

AWG. #18	AWG. #16	AWG. #14	AWG. #12
4	4	4	4

### (F) Double-Gang, Flush (B0)

See Note 4

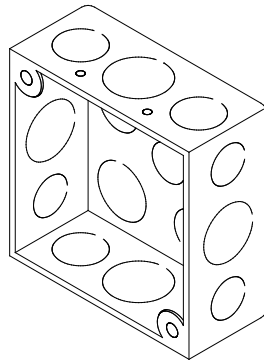


#### Maximum Number of Conductors

AWG. #18	AWG. #16	AWG. #14	AWG. #12
4	4	4	4

### (D) 4" Square, Flush (B0)

See Note 2



#### Maximum Number of Conductors

AWG. #18	AWG. #16	AWG. #14	AWG. #12
4	4	4	4

1-1/2" deep

### (G) Double-Gang, Surface (B0)

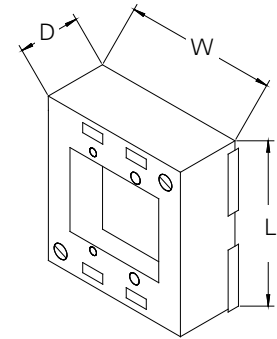
Used with Series RSS

See Note 5

Length	Width	Depth	Gang #
4-3/4"	4-3/4"	1-3/4"	2

#### Maximum Number of Conductors

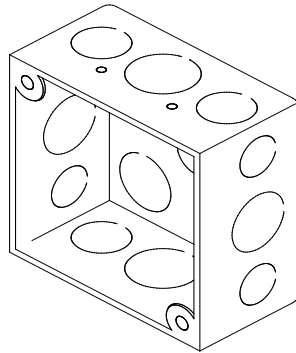
AWG. #18	AWG. #16	AWG. #14	AWG. #12
4	4	4	4



### (E) 4" Square, Deep, Flush (B0)

Used with Series 31T, 43T, AMT, ET-1010, HS4, HS, MB, MT, MT4, RSS, RSSP

See Note 3



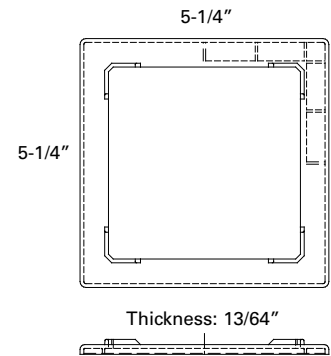
#### Maximum Number of Conductors

AWG. #18	AWG. #16	AWG. #14	AWG. #12
8	8	8	8

2-1/8" deep

### (H) NATP (Order Codes: Red 8440, White 8441)

Used with Series RSS



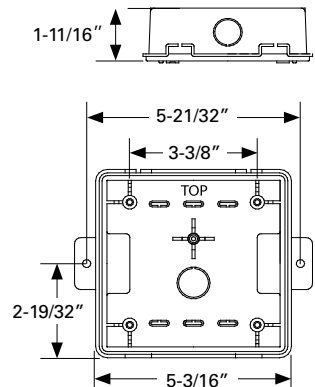
### (I) WPBB (Order Code: 9014)

For surface mounting AS outdoor products

Used with Series ASWP Weatherproof

#### Maximum Number of Conductors

AWG. #18	AWG. #16	AWG. #14	AWG. #12
8	8	8	8

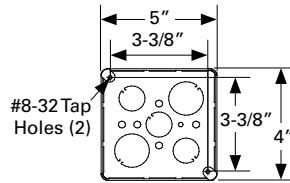


**(J) BB Backbox (Order Codes: Red 2830, Gray 2349)**

Standard steel backbox with knockouts for interior surface mounting, concealed conduit mounting or semi-flush applications. It is painted to match the signal.

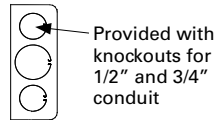
Used with Series 31T, 43T, MB, MT4, RSS

See Note 9



**Maximum Number of Conductors**

AWG. #18	AWG. #16	AWG. #14	AWG. #12
4	4	4	4



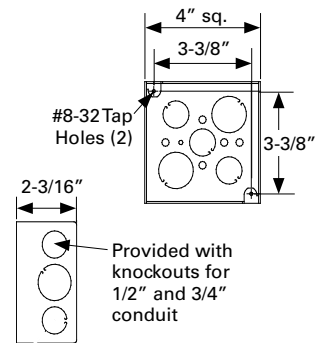
**(N) DBB Backbox (Order Code: 2955)**

Standard steel backbox provided with knockouts for interior surface mounting, concealed conduit mounting or semi-flush applications. It is painted to match the signal.

Used with Series 31T, 43T, AMT, ET-1010, HS4, HS, MB, MT, MT4, RSS

**Maximum Number of Conductors**

AWG. #18	AWG. #16	AWG. #14	AWG. #12
8	8	8	8

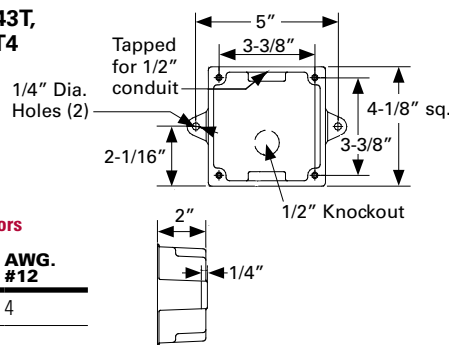


**(K) WBB Weather Resistant Backbox (Order Codes: Red 2959, White 2411)**

Sturdy die-cast housing, threaded conduit hole and knockout for outdoor applications. It is painted to match the signal.

Used with Series 31T, 43T, AHWP, ET-1010, MB, MT4

See Note 2

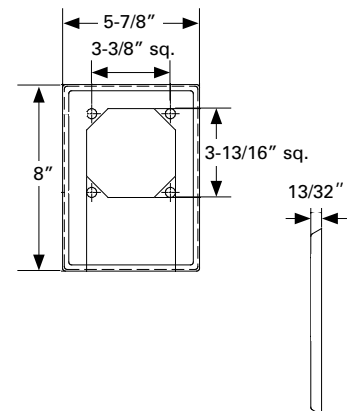


**Maximum Number of Conductors**

AWG. #18	AWG. #16	AWG. #14	AWG. #12
4	4	4	4

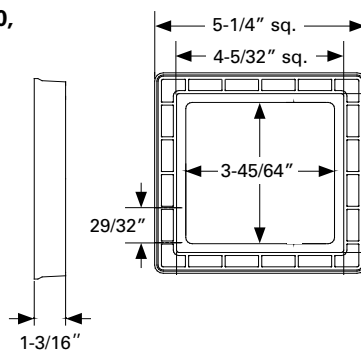
**(O) RP-R Retrofit Plate (Order Code: 5042)**

Used with Series 31T, 43T, AMT, CH70, E70, ET70, ET-1010, ET-1080, HS4, HS, MB, MT, MT4, RSS



**(L) ISP2 Surface Adapter (Order Code: Red 3194, White 3195)**

Used with Series AMT, CH70, E70, ET70, HS4, HS, MT

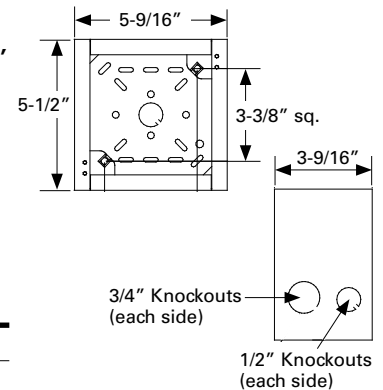


**(P) SBB Backbox (Order Codes: Red 3204, White 3193)**

For surface mounting speakers, chimes, and electronic applications

Used with Series 43T, AMT, CH70, E70, ET70, ET-1080, HS4, HS, MB, MT, RSS

See Note 11



**Maximum Number of Conductors**

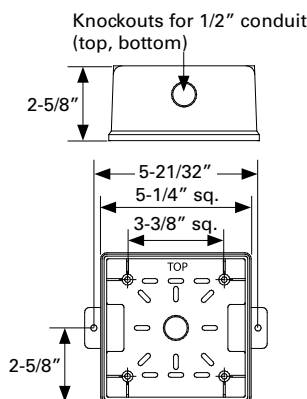
AWG. #18	AWG. #16	AWG. #14	AWG. #12
8	8	8	8

**(M) IOB Backbox (Order Codes: Red 5046, White 5047)**

For surface mounting MT products

Used with Series AMT, ET70WP, HS4, HS, MT, MTWP

See Note 10



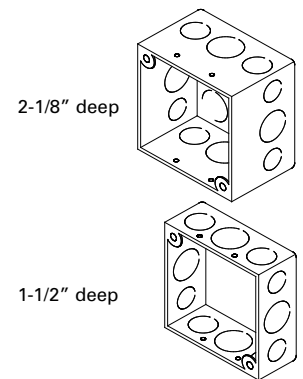
**Maximum Number of Conductors**

AWG. #18	AWG. #16	AWG. #14	AWG. #12
8	8	8	8

**(Q) 4" Square Deep w/ Extension Ring, Flush (B0)**

Used with Series CH70, CH90, E70, ET70, E90, ET90, ET-1080

See Note 6



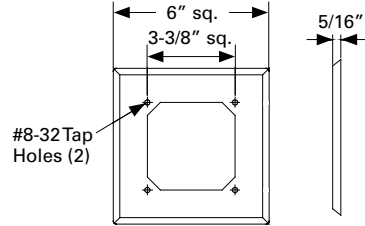
Exterior Ring Depth	1-1/2"	2-1/8"
AWG. #18	8	8
AWG. #16	8	8
AWG. #14	8	8
AWG. #12	4	8

## Mounting Options

### (R) SFP Semi-Flush Plate (Order Codes: Red 2957, White 2958)

Stamped aluminum surface wall plate which mounts behind the basic unit and serves to cover recessed backboxes in semi-flush mounting applications. It is painted to match the signal.

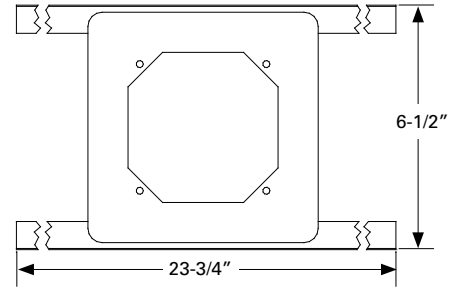
Used with Series 31T, 43T, AMT, CH70, E70, ET70, ET-1010, ET-1080, HS4, HS, MB, MT, MT4, RSS



### (V) SSB-4 Ceiling Support Bridge (Order Code: 3380)

Provisions for (4) J-nuts #8-32 ib 3-3/8" square. Material: Steel

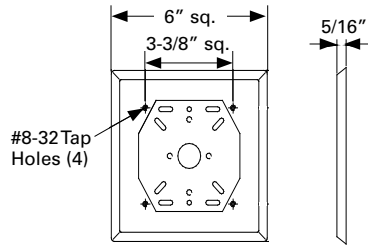
Used with Series CH70, CH90, E70, ET70, E90, ET90, ET-1080



### (S) AP Adapter Plate (Order Code: 2961)

Stamped aluminum adapter plate designed for applications where semi-flush installations cannot be used. The plate can be mounted to standard octagon or round backboxes single or double gang boxes or plaster rings. The backbox and basic unit are then fastened to the plate. This type mounting is referred to as a concealed conduit installation. It is painted to match the signal.

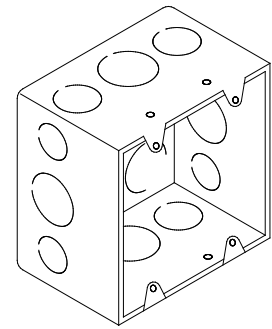
Used with Series 43T, MB



### (W) 4-11/16" Square, Deep Surface (B0)

Used with Series DSM

See Note 7

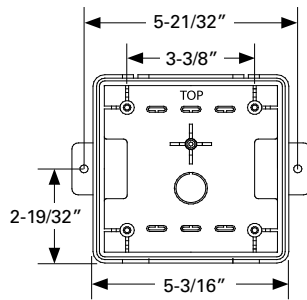
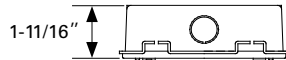


#### Maximum Number of Conductors

AWG. #18	AWG. #16	AWG. #14	AWG. #12
10	10	10	10

### (T) WPSBB-R (Order Codes: Red 9751, White 3033)

Used with Series RSSWP Weatherproof

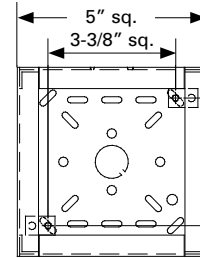
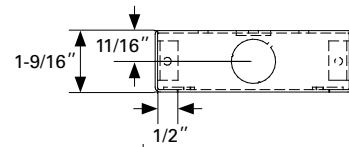


#### Maximum Number of Conductors

AWG. #18	AWG. #16	AWG. #14	AWG. #12
8	8	8	8

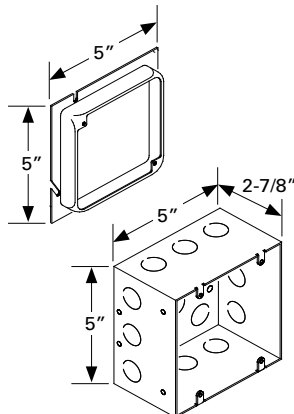
### (X) SHBB Square, Surface Backbox (Order Codes: Red 7254, White 7255)

Used with Series 43T, MB, RSS



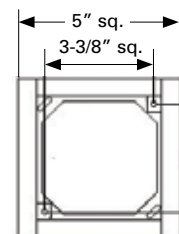
### (U) 5" Square Backbox w/ Extension Ring, Flush (B0)

Used with Series CH70, CH90, E70, ET70, E90, ET90, ET-1080



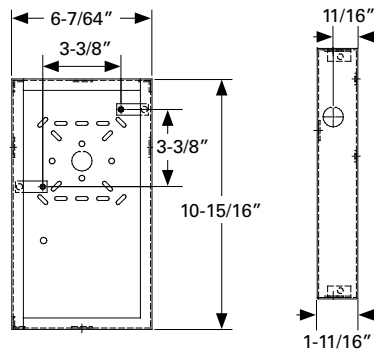
### (Y) SER-R Square Semi-Flush Extension Ring (Order Codes: Red 3045, White 3049)

Used with Series CH70, E70, ET70



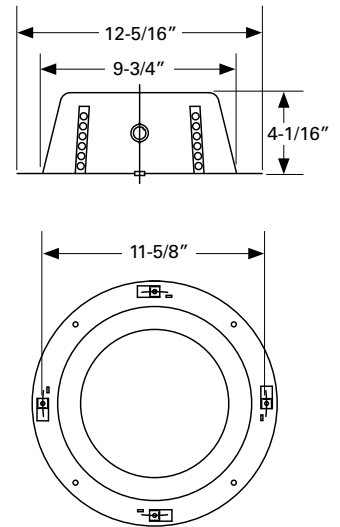
(Z) SBL-2 Backbox (Order Codes: Red 6988, White 6989)

Used with Series RSSP



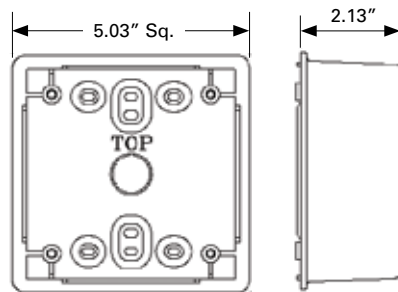
(DD) CBB-8 8" Ceiling Speaker Backbox (Order Code: 3314)

Used with Series S 8" Ceiling Speakers

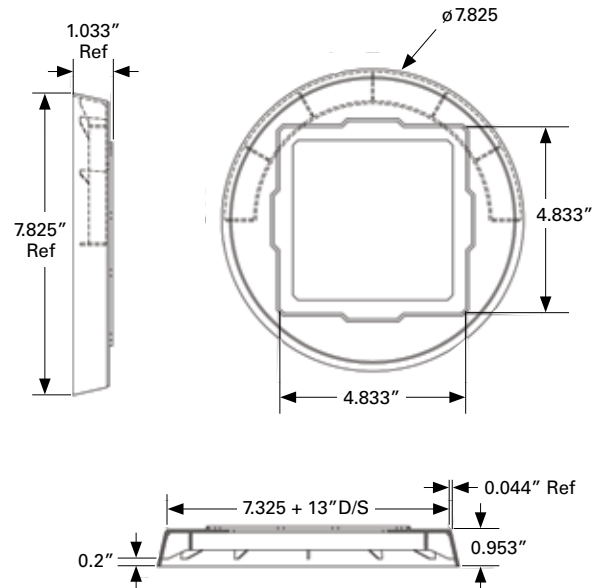


(AA) E50SB-R (Order Codes: Red 0230, White 0231)

Used with Series E50

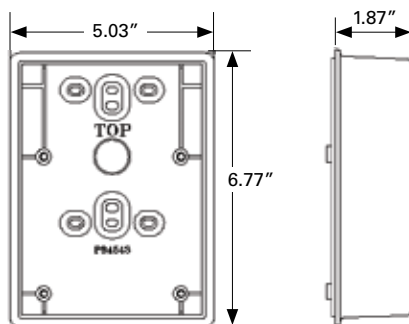


(EE) E60 Extension Ring (Order Code: Red 3758, White 3757)



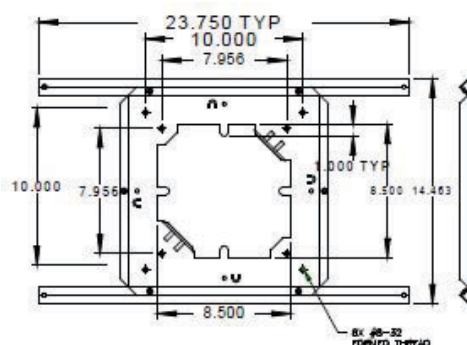
(BB) E50SSB-R (Order Codes: Red 0232, White 0233)

Used with Series E50

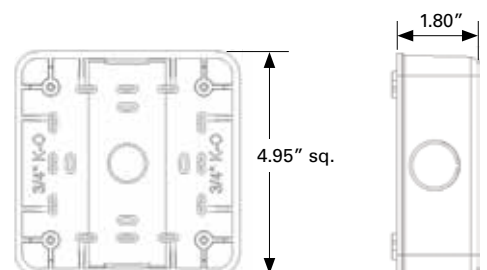


(CC) SSB-8 8" Ceiling Support Bridge (Order Code: 3573)

Used with Series S 8" Ceiling Speakers

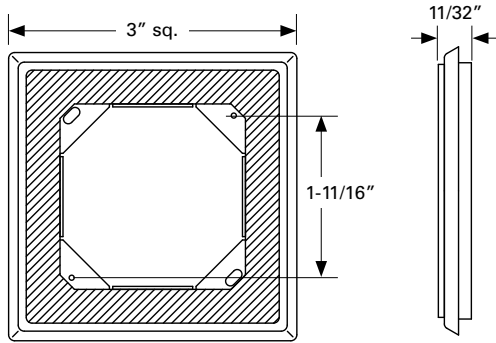


(FF) ZBB (Order Codes: Red 6036, White 6045)

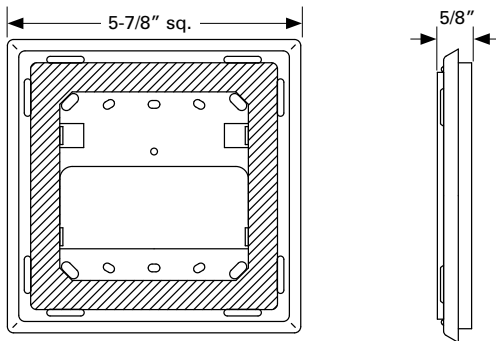


## Mounting Options

### (GG) WFP Plate (Order Codes: Red 4696, White 4697)



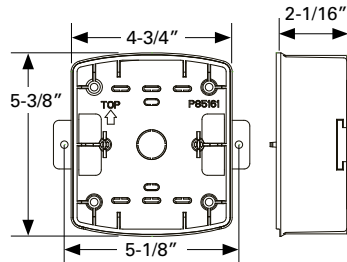
### (HH) WFP Plate (Order Codes: Red 4696, White 4697)



### (II) ESB Backbox (Order Codes: Red 2749, White 2750)

For indoor surface mounting of Exceder products

Used with Exceder ST,  
HS, HN



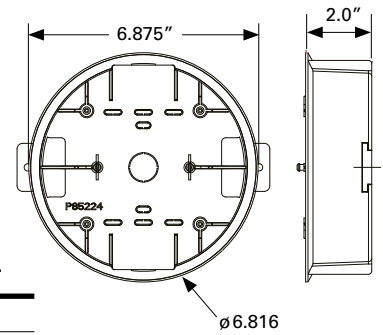
#### Maximum Number of Conductors

AWG. #18	AWG. #16	AWG. #14	AWG. #12
4	4	4	4

### (JJ) ESBC Backbox (Order Codes: Red 2751, White 2752)

For indoor surface mounting of Exceder products

Used with Exceder STC,  
HSC, HNC



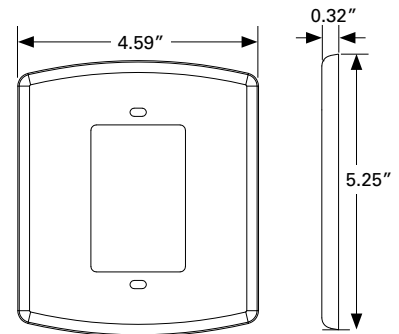
#### Maximum Number of Conductors

AWG. #18	AWG. #16	AWG. #14	AWG. #12
4	4	4	4

### (KK) ESB-KIT (Order Codes: Red 0533, White 0534)

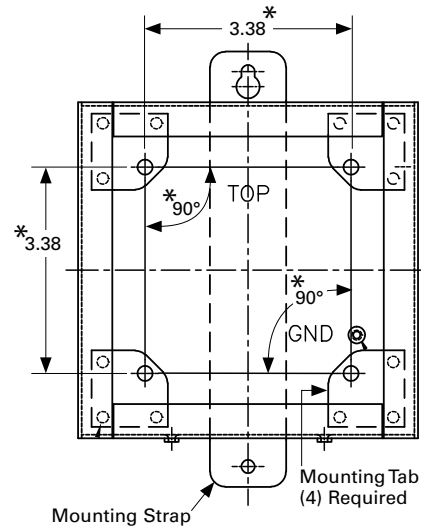
Trim Plate Kit for Exceder LED

Used with Exceder LST3,  
LHS3, LHN3



### (MM) OSB

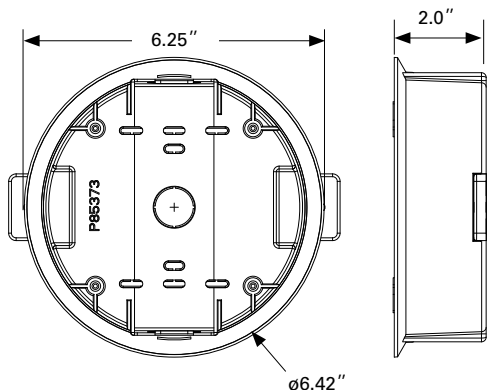
Used with ET1080



\*Refer to specification sheet S7000 for mounting option details.

**(00) LSPKBB-C Backbox (Order Codes: Red 0927, White 1003)**

Used with Exceder LED Ceiling LSTC3, LHSC3, LHNC3, LSPKC, LSPSTC3



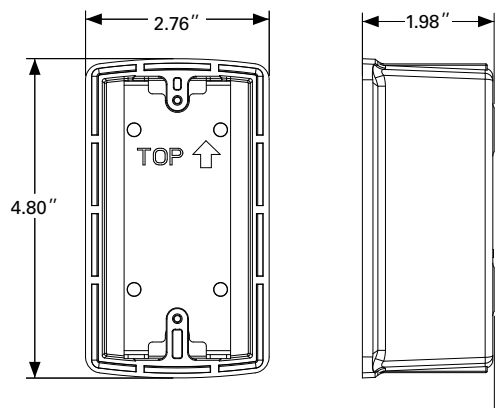
**Maximum Number of Conductors**

AWG. #18	AWG. #16	AWG. #14	AWG. #12
4	4	4	4

**(0Q) ELSBB Backbox (Order Codes: Red 110752, White 110753)**

For indoor surface mounting of Eluxa horns, horn strobes and strobes (wall models)

Used with Eluxa ELHN, ELHS, ELST



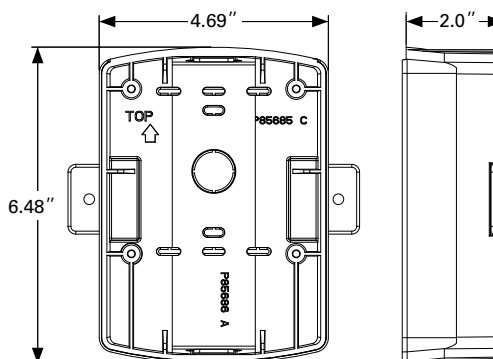
**Maximum Number of Conductors**

AWG. #18	AWG. #16	AWG. #14	AWG. #12
4	4	4	4

**(RR) ELSPKBB Backbox (Order Codes: Red 110754, White 110755)**

For indoor surface mounting of Eluxa speaker and low frequency sounders (wall models)

Used with Eluxa ELSPK, ELSPST, ELFHN, ELFHS



**Maximum Number of Conductors**

AWG. #18	AWG. #16	AWG. #14	AWG. #12
4	4	4	4

- Figure B is typical of a Steel City LXM-WOW box or equal. Figure B should be a 3.5" deep backbox for conduit installations and is typical of a Steel City CY-1/2 box or equal.
- Figure D is typical of a Steel City 52151 box or equal.
- Figure E is typical of a Steel City 52171 box or equal.
- Figure F is typical of two Steel City LXM-WOW boxes or equal.
- Figure G is typical of a Wiremold 5748-2 box or equal.
- Figure Q is typical of a Steel City 52171 box with a Steel City 53151 extension ring or equal.
- Figure W is typical of a Steel City 72171-1 box or equal.
- Use 3.5" deep backbox on all MIZ products when EMT conduit is used.
- When used with AC Horn (J), "BB" must be used for surface mount.
- HS4, HS, MT or MTWP Strobe are for outdoor mounting.
- Use with Series RSSP.
- Figure U is typical of a RANDL Industries backbox. ("Total Number of conductors shall be in accordance with NEC table 314.16 (B)").

# Mounting Options

## Mounting Matrix

	Series E90/ET90	Series RSS/RSSR	Series RSSP	Series 31T	Series E50	Series 43T Bells	Series CH	Series ET80	Series ET1010	Series MB Motor Bells	Series E70/ET70	Series E60	Series MIZ/MIZ-TC	Series MT	Series HS4/HS	Series SM/DSM	Series AMT	Series RSSWP(1), ASWP(2), AHWP(3), MTWP(4), ET70WP(4)	Series S8	Series Exceder - STC, HSC, HNC	Series Exceder - ST, HS, HN	Eluxa ELHN, ELHS, ELST	Eluxa ELSPK, ELSPST, ELFHN, ELFHS	Eluxa ELSPKC, ELSPSTC, ELFHNC, ELFHSC, ELHNC, ELHSC, ELSTC
(A) Universal Mounting Plate																								
(B) 1-GANG x 2" Deep – Flush (BO) Note 1 & 8		X											X											
(D) 4" x 4" x 1.5" Deep – Flush (BO) Note 2		X	X	X		X				X														
(E) 4" x 4" x 2.125 Deep – Flush (BO) Note 3		X	X	X	X	X		X	X					X	X		X							
(F) 2-Gang x 3.5" Deep – Flush (BO) Note 4 & 8		X												X	X		X							
(G) 2-Gang x 1.75" Deep – Surface (BO) Note 5		X																						
(H) NATP Trim Plate		X																						
(I) WPBB-R Weatherproof Backbox for ASWP																								2
(J) BB Surface (WSI) Note 9		X		X	X					X														
(K) WBB Weatherproof (WSI)				X	X			X	X															3
(L) ISP Adapter (WSI) for Square Products							X	X						X	X		X							
(M) IOB Surface & Weatherproof (WSI) Note 10											X			X	X		X							4
(N) DBB Surface (WSI)		X	X	X	X			X	X					X	X		X							
(O) RP-R Retrofit Plate		X	X	X	X	X	X	X	X					X	X		X							
(P) SBB Surface (WSI) Note 11	X	X			X	X	X	X	X	X				X	X		X							
(Q) 4" x 4" x 2.125" Box w/ 1.5" Extension Ring – Flush (BO) Note 6	X		X			X	X			X	X													
(R) SPT Semi-Flush Plate (WSI)		X	X	X	X	X	X	X	X	X				X	X		X							
(S) AP Adapter Plate (WSI)					X			X	X	X														
(T) WPSBB-R Weatherproof Backbox for RSSWP																								1
(U) 5" Square Backbox w/ Extension Ring, Flush (BO)	X					X	X					X												
(V) SSB-4 Ceiling (WSI) Support Bridge	X					X	X			X	X													
(W) 4.6875" x 4.6785" x 2.125" Deep Surface (BO)																X								
(X) SHBB (WSI) Shallow Surface		X			X				X															
(Y) SER Semi-Flush Extension Ring (Retrofit Appl.)	X					X				X														
(Z) SBL-2 Surface (WSI) Note 11		X	X	X		X	X	X	X															
(AA) E50SB Backbox for E50 Speaker					X																			
(BB) E50SSB Backbox for E50 Speaker Strobe					X																			
(CC) SSB-8 8" Speaker Support Tile Bridge																								X
(DD) CBB-8 8" Ceiling Speaker Backbox																								X
(EE) E60 Extension Ring												X												
(FF) ZBB																								
(II) ESB Backbox																								X
(JJ) ESBC Backbox																								X
(OO) LSPKBB-C Backbox																								X
(QQ) ELSBB																							X	
(RR) ELSPKBB Backbox																							X	



**Mounting Notes**

⚠ Caution: The mounting options figures show the maximum number of field wires (conductors) that can enter the backbox used with each mounting option. If these limits are exceeded, there may be insufficient space in the backbox to accommodate the field wires and stresses from the wires could damage the product. Although the limits shown for each mounting option comply with the National Electrical code (NEC), Wheelock recommends use of the largest backbox option and the use of approved stranded field wires whenever possible, to provide additional wiring room for easy installation and minimum stress on the product from wiring.

⚠ Caution: Check that the installed product will have sufficient clearance and wiring room prior to installing backboxes and conduit, especially if sheathed multiconductor cable or 3/4" conduit fittings are used.

1. Mounting hardware for each mounting option is supplied.
2. Conduit entrances to the backbox should be selected to provide sufficient wiring clearance for the installed product. When extension rings are required, conduit should enter through the backbox, not the extension ring. Use Steel City #53151 (1-1/2" deep) or #53171 (2-1/8" deep) extension rings (as noted in the mounting options) or equal with the same cut-out area.
3. When terminating field wires, do not use more lead length than required. Excess lead length could result in insufficient wiring space for the appliance.
4. Use care and proper techniques to position the field wires in the backbox so that they use minimum space and produce minimum stress on the product. This is especially important for stiff, heavy gauge wires and wires with thick insulation or sheathing.
5. Do not pass additional wires (used for other than the appliance) through the backbox "unless the backbox is of a sufficient size to permit additional wiring as described in NEC 314.16 (B)". Such additional wires could result in insufficient wiring space for the appliance.

**Note:** Due to continuous development of our products, specifications and offerings are subject to change without notice in accordance with Wheelock Inc. standard terms and conditions.

## Backbox Mounting Heights for Wheelock Wall-Mounted Horizontal Strobe Appliances

NFPA-72 (2002)

7.5.4\* Appliance Location. Wall-mounted appliances shall be mounted such that the entire lens is not less than 2.0 m (80 in.) and not greater than 2.4 m (96 in.) above the finished floor.

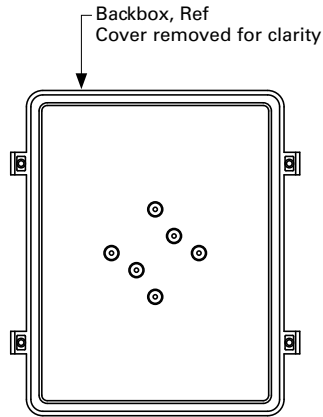
Backbox Mounting Options*	RSSP Flush Surface Retrofit		Exceder ST, HS, HN		RSS Strobe		MT and AMT Multitone Strobe		Eluxa ELHN, ELHS, ELST		Eluxa ELSPK, ELSPST, ELFHN, ELFHS	
	80 In.	80 In.	6 In.	80 In.	6 In.	80 In.	6 In.	80 In.	6 In.	80 In.	6 In.	
(B) 1-Gang x 2" Deep – Flush (BO)		80 3/4	5 1/4	79 1/8	6 7/8					80 5/16	5 11/16	
(D) 4" x 4" x 1.5" Deep – Flush (BO)	83 15/16	80 1/4	5 3/4	78 5/8	7 3/8	77 1/8	8 1/8					81 1/8 4 7/8
(E) 4" x 4" x 2.125" Deep – Flush (BO)	83 15/16	80 1/4	5 3/4	78 5/8	7 3/8	77 7/8	8 1/8					81 1/8 4 7/8
(F) 2-Gang x 3.5" Deep – Flush (BO)		80 3/4	5 3/4	79 1/8	6 7/8	78 3/8	7 5/8					
(G) 2-Gang x 1.75" Deep – Surface (BO)		79 7/8	6 1/8	78 1/4	7 3/4	77 1/2	8 1/2					
(M) IOB Surface & Weatherproof (WSI)						77 1/4	8 3/4					
(P) SBB Surface (WSI)						77 1/8	8 7/8					
(Q) 4" x 4" x 2.125" Box w/ 1.5" Extension Ring – Flush (BO)	83 15/16	80 1/4	5 3/4	78 5/8	7 3/8	77 7/8	8 1/8					
(U) 5" Square Backbox w/ Extension Ring, Flush (BO)	83 7/16			78 1/8	7 7/8	77 3/8	8 5/8					
(X) SHBB (WSI) Shallow Surface				78 1/8	7 7/8							
(Y) 4" x 4" x 1.5" Box w/ 1.5" Extension Ring Plate (BO)												
(Z) SBL-2 Surface (WSI)	80 1/2											
(II) ESB Backbox 5.375" x 4.75" x 2.0625"		79 9/16	6 7/16									
(QQ) ELSBB Backbox 4.8" x 2.76" x 1.98"								79 3/8	6 5/8			
(RR) ELSPKBB Backbox 6.48" x 4.69" x 2.0"												79 1/4 6 3/4

Backbox Mounting Options*	Series CH70 Chime Strobe		Series ET80 Speaker Strobe		Series E70 Speaker Strobe		Series ET70 Speaker Strobe		Series SA-70S Self Amplified Speaker Strobe	
	80 In.	6 In.	80 In.	6 In.	80 In.	6 In.	80 In.	6 In.	80 In.	6 In.
(P) SBB Surface (WSI)	77 3/4	8 1/4	79 3/16	6 13/16	77 3/4	8 1/4	77 3/4	8 1/4	79 3/16	6 13/16
(Q) 4" x 4" x 2.125" Box w/ 1.5" Extension Ring – Flush (BO)	77 1/2	7 1/2	80	6	78 1/2	7 1/2	78 1/2	7 1/2	80	6
(U) 5" Square Backbox w/ Extension Ring – Flush (BO)	78	7	79 1/2	5 1/2	78	7	78	7	79 1/2	5 1/2
(X) SHBB (WSI) Shallow Surface										
(Y) 4" x 4" x 1.5" Box w/ 1.5" Extension Ring Plate – Flush (BO)	78 1/2	7 1/2	80	6						

\* Measured from bottom of backbox (inches)

**Note:** (BO) = By Others; (WSI) = Wheelock Product

## Appliance Enclosures



Enclosure dimensions (approx.):  
9.59"H x 7.59"W x 8.259"D

## EN4, EWR, EWP Appliance Enclosures

### Available features and options:

- Vandal resistant
- Easy installation and access for service
- Provides protection from incidental contact with equipment, falling dirt, falling liquids, light splashes, rain, etc.
- UV stabilized against discoloration

**Options:** Slotted, weather-resistant enclosure with drain screen (EWR); weatherproof enclosure with drain screen (EWP); NEMA 4 Rated Enclosure (EN4)

**EWR Dimensions:** 9.59"H x 7.59"W x 8.259"D

**EWP Dimensions:** 9.59"H x 7.59"W x 8.259"D

**EN4 Dimensions:** 9.59"H x 7.59"W x 8.259"D

**Approvals:** UL Listed, NEMA (EN4) rated

Model Number	Order Code
EWR	8151
EWP	8150
Low Voltage	
EN4	8152

Model	Agency Approvals				
	UL	MEA	CSFM	FM	ULC
31T-115R	X	*	X	X	*
31T-115-R-ULC	X	X	X	X	X
43T-G10-115-R	X	*	X	X	X
43T-G10-24-R	X	*	X	X	X
43T-G6-115-R	X	*	X	X	X
43T-G6-24-R	X	*	X	X	X
AH-12WP-R	X	X	X	X	*
AH-24WP-R	X	X	X	X	X
AMT-12/24-R	X	X	X	X	X
AMT-12/24-R-NYC	X	X	X	X	X
AMT-24MCW-FR	X	*	X	X	X
AMT-24MCW-FW	X	*	X	X	X
ASWP-2475W-FR	X	*	X	*	X
CH70-241575-FR	X	X	X	*	*
CH70-24MCW-FR	X	X	X	*	*
CH70-24MCW-FW	X	X	X	*	*
CH70-24MCWH-FR	X	X	X	*	*
CH70-24MCWH-FW	X	X	X	*	*
CH70-24-R	X	X	X	*	*
CH90-24MCC-FW	X	X	X	*	*
CH90-24MCCH-FW	X	X	X	*	*
CH90-24-W	X	X	X	*	*
E70-24MCW-FR	X	X	X	X	*
E70-24MCW-FW	X	X	X	X	*
E70-24MCWH-FR	X	X	X	X	*
E70-24MCWH-FW	X	X	X	X	*
E70-R	X	X	X	X	*
E70-W	X	X	X	X	*
E90-24MCC-FW	X	X	X	X	*
E90-24MCCH-FW	X	X	X	X	*
E90-R	X	X	X	X	*
E90-W	X	X	X	X	*
ELFHN	X	*	X	*	X
ELFHNC	X	*	X	*	X
ELFHS	X	*	X	*	X
ELFHSC	X	*	X	*	X
ELHN	X	*	X	*	X
ELHNC	X	*	X	*	X
ELHS	X	*	X	*	X
ELHSC	X	*	X	*	X
ELSPK	X	*	X	*	X
ELSPKC	X	*	X	*	X
ELSPST	X	*	X	*	X
ELSPSTC	X	*	X	*	X
ELST	X	*	X	*	X
ELSTC	X	*	X	*	X
ET-1010-R	X	X	X	X	*
ET-1010-W	X	X	X	X	*
ET-1080-R	X	X	X	X	*

Model	Agency Approvals				
	UL	MEA	CSFM	FM	ULC
ET70-24MCW-FW	X	X	X	X	*
ET70-24MCWH-FR	X	X	X	X	*
ET70-24MCWH-FW	X	X	X	X	*
ET70-N	X	X	X	X	*
ET70-R	X	X	X	X	*
ET70WP-2475W-FR	X	X	X	X	*
ET80-24MCW-FR	X	X	X	X	*
ET80-24MCW-FW	X	X	X	X	*
ET80-24MCWH-FR	X	X	X	X	*
ET80-24MCWH-FW	X	X	X	X	*
ET90-24MCC-FW	X	X	X	X	*
ET90-24MCCH-FW	X	X	X	X	*
ET90-N	X	X	X	X	*
ET90-W	X	X	X	X	*
HNR	X	*	X	X	X
HNRC	X	*	X	X	X
HNW	X	*	X	X	X
HNWC	X	*	X	X	X
HS-24-R	X	X	X	X	X
HS-24-W	X	X	X	X	X
HS4-24MCW-FR	X	X	X	X	X
HS4-24MCW-FW	X	X	X	X	X
HS4-24MCWH-FR	X	X	X	X	*
HS4-24MCWH-FW	X	X	X	X	*
HSR	X	*	X	X	X
HSRC	X	*	X	X	X
HSW	X	*	X	X	X
HSWC	X	*	X	X	X
MB-G10-12-R	*	X	X	*	*
MB-G10-24-R	*	X	X	*	*
MB-G6-12-R	*	X	X	*	*
MB-G6-24-R	*	X	X	*	*
MIZ-24S-R	X	X	X	X	X
MIZ-24S-W	X	X	X	X	X
MT-12/24-R	X	X	X	X	X
MT-121575W-FR	X	X	X	X	X
MT-24MCW-FR	X	*	X	*	X
MT-24MCW-FW	X	*	X	*	X
MT4-115-R	X	X	X	*	*
MT4-115-WH-VFR	X	X	X	*	*
MTWP-2475W-FR	X	X	X	X	X
PS-8-LP	X	*	X	X	*
STR	X	*	X	X	X
STRC	X	*	X	X	X
STW	X	*	X	X	X
STWC	X	*	X	X	X



# Explosion-Proof and Hazardous Signaling

Eaton offers a wide range of signaling devices for explosion-proof and hazardous applications.

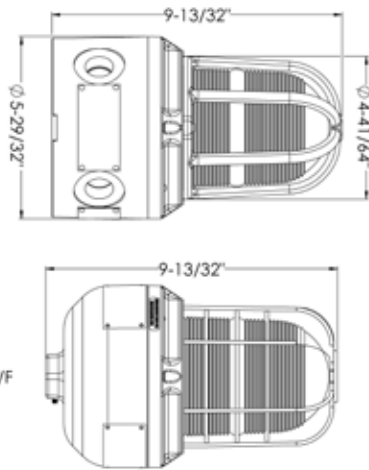
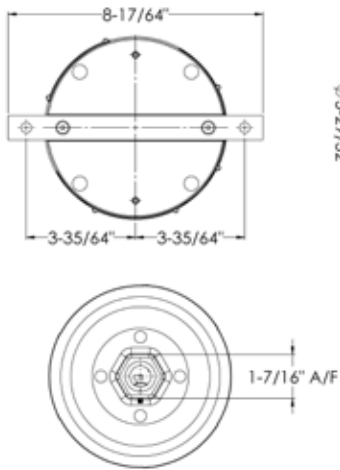
- Strobes
- Horns, Speakers & Combo Units
- Call Points, Bells & Relay



## Explosion-Proof and Hazardous Strobes

Eaton offers a variety of strobes for use in potentially harsh atmospheres and environmental conditions including UL listed, high output, and a number of color, voltage and candela models.

Strobes



**MEDC LD15 Strobes**

**Available features and options:**

- NEMA 4x & 6, IP66 & 67
- Corrosion-free GRP
- Optional stainless steel backstrap
- Optional cast aluminum or wire stainless steel guard
- Up to 3 x 1/2" or up to 3 x 3/4" NPT
- Remote and local function selection

**Lens Color:** Red, blue, green, amber, clear, and yellow

**Voltage:** 12V d.c. to 48V d.c., 110V a.c. to 254V a.c.

**Certified Temperature:** -67°F to +158°F (-55°C to +70°C)

**Weight:** Pipe mount: 6.8lb (3.1kg) direct mount: 7.7lb (3.5kg)

**Material:** aluminium LM25M

**Entries:** 1 x 1/2" / 3/4" NPT or 3 x 1/2" / 3/4" NPT

**Approvals:**

- UL certified for USA and Canada
  - Hazardous locations:
    - Class I, Div. 2, Groups A, B, C & D
    - Class II, Div. 2 Groups F & G
    - Class I, Zone 1, AExd IIC T5/T6
- UL certified for USA and Canada
  - Hazardous locations:
    - Class I, Div. 2, Groups A, B, C & D
    - Class II, Div. 2 Groups F & G
    - Class I, Zone 1, AExd IIC T5/T6
- ULC certified to Canadian Safety Standards
- ATEX certified Ex II 2GD
- IECEx certified Gb, Db
- SIL 1 certified

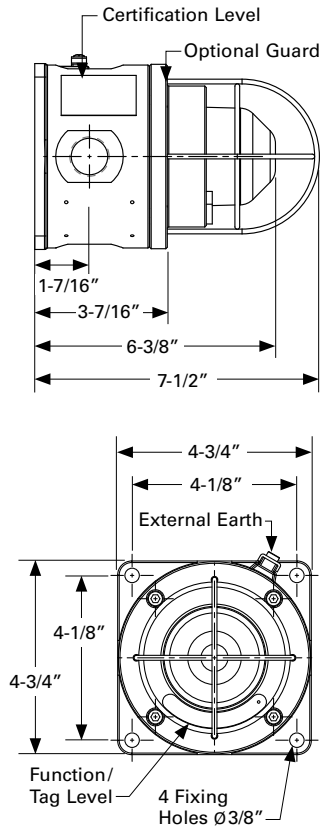
Model Number	Description	Order Code
XB4ULB8D2E3E06ANCN1R	STRB, CLEAR LENS, 24VDC, 355CD, CL 1 DIV 1, RD	PX18800386
XB4ULB8D2E3E06ANRN1R	STRB, RED LENS, 24VDC, 355CD, CL 1 DIV 1, RD	PX869121

Additional configuration options available.

See the LD15 product specification sheet or contact the Eaton Customer Service Team.

	DC			AC 50/60 Hz			
Voltage	12	24	48	110	120	230	240
Current (mA) - steady	430	220	120	90	80	50	50
Current (mA) - 60/80/120fpm	880	420	220	100	100	60	60

**Strobes**



**MEDC SM87HXB Strobes**

**Available features and options:**

- NEMA 4x & 6, IP66 & 67
- Light weight, corrosion resistant
- 4-Wire monitored connection

**Lens Color:** Red, Blue, Green, Yellow, Amber, Clear

**Voltage:** 24 VDC, 48 VDC, 110 VAC, 120 VAC, 230 VAC, 240 VAC, 254 VAC

**Certified Temperature:** -67°F to +158°F (-55°C to +70°C)

**Weight:** 4.4lb (2.0 kg approx)

**Material:** LM25 TF Marine Grade Alloy

**Entries:** Up to 4 off 1/2" or 3/4" NPT

**Approvals:**

- UL listed for US and Canada
  - Class I, Div 1, Groups C and D
  - Class I, Zone 1, AExd IIB
- CUL listed
- CSA certified

Model Number	Description	Order Code
SM87HXBAUL024RN4R4LNNR	STRB, RED LENS, 24VDC, 29CD, CLASS 1 DIV 1, RD	PX56201144
SM87HXBAUL024CN4L4RNNR	STRB, CLEAR LENS, 24VDC, 29CD, CLASS 1 DIV 1, RD	PX56201072
SM87HXBAUL024CN4R4LNNR	STRB, AMBER LENS, 110VAC, 29CD, CLASS 1 DIV 1, RD	PX869166

Additional configuration options available: Body & lens color, tag & duty labels, certification, lens guard, flash rate, voltages 24–48 VDC, 110–254 VAC.

See the SM87HXB product specification sheet or contact the Eaton Customer Service Team.

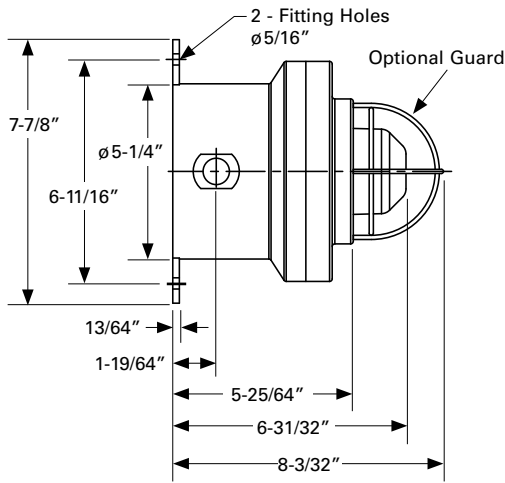
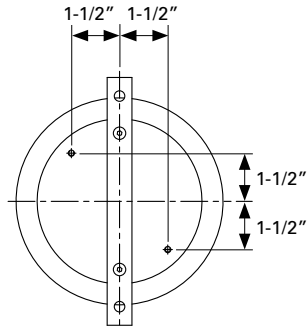
	DC		AC 50/60 Hz			
	24	48	110	120	240	254
Voltage	24	48	110	120	240	254
Peak Current Consumption (mA)	393	175	250	275	135	153
Effective Intensity	29	29	32	39	39	44
Tube Energy	5	5	6	7	7	8

Lens Color	Multiplying factor for colored lenses
Red	0.15
Blue	0.12
Amber	0.51
Green	0.49
Yellow	0.86

Strobes



VIEW ON BASE SHOWING DIRECT MOUNTING HOLES



**MEDC XB11 Strobes**

**Available features and options:**

- NEMA 4x and 6, IP66 & 67
- Light weight, corrosion resistant
- 4-Wire monitored connection
- Output 29 Candela

**Lens Color:** Red, Blue, Green, Yellow, Amber, Clear

**Voltage:** 24VDC, 48VDC, 110 VAC, 120 VAC and 240 VAC

**Certified Temperature:** -67°F to +158°F (-55°C to +70°C)

**Finish:** Natural Black, Red, Blue, Yellow, Grey, White, Special Finish

**Weight:** 5.5 lb (2.5kg)

**Material:** Corrosion-free GRP

**Approvals:**

- UL listed for US and Canada
  - Class I, Div 2, Groups C and D
  - Class I, Zones 1 and 2, AExd IIB T4/T5
  - CSFM approved

Model Number	Description	Order Code
XB11UL02406CNBNNNR	STRB, CLEAR LENS, 24VDC, 29CD, CLASS 1 DIV 2, RD	PX869174
XB11UL02406RNBNNNR	STRB, RED LENS, 24VDC, 29CD, CLASS 1 DIV 2, BLK	PX869190
XB11UL02406RNBNNNR	STRB, RED LENS, 24VDC, 29CD, CLASS 1 DIV 2, RD	PX869171
XB11UL11006ANBNNNR	STRB, AMBER LENS, 110VAC, 29CD, CLASS 1 DIV 2, RD	PX869176
XB11UL11006RNBNNNR	STRB, RED LENS, 110VAC, 29CD, CLASS 1 DIV 2, RD	PX869175

Additional configuration options available: Body & lens color, tag & duty labels, certification, lens guard, flash rate, mounting method, voltages 24 VDC, 110–240 VAC.

See the XB11 product specification sheet or contact the Eaton Customer Service Team.

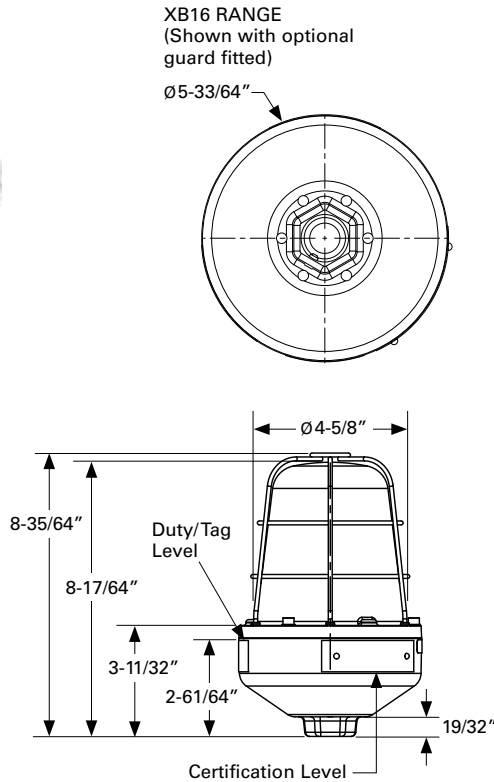
	DC	AC 50/60 Hz	
Voltage	24	110	240
XB11 Tube Energy (Joules)	5	5	5
Peak Current Consumption (mA)	320	100	60
Effective Intensity	29	29	29

Lens Color	Multiplying factor for colored lenses
Red	0.15
Blue	0.12
Amber	0.51
Green	0.49
Yellow	0.86

**Note:** The cd figures are for a clear lens @ 1Hz flash rate.



**Strobes**



**MEDC XB16 Strobe Warning Lights**

**Available features and options:**

- NEMA 4x and 6, IP66 & 67
- Light weight
- Listed strobes for use in harsh environments

**Lens Color:** Red, Blue, Green, Yellow, Amber, Clear

**Voltage:** 24 VDC, 48 VDC, 110 VAC, 120 VAC, 230 VAC, 240 VAC, 254 VAC

**Certified Temperature:** -67°F to +158°F (-55°C to +70°C)

**Finish:** Natural Black, Red, Blue, Yellow, Green, White, Special Finish

**Weight:** 2.2 lb (1.0kg)

**Material:** Corrosion-free GRP

**Approvals:**

- UL listed for US and Canada
  - Class I, Div 2, Groups A, B, C and D
  - Class II, Div 2, Groups F and G
  - CSFM approved

**Additional option:**

- Pipe mount with 3/4" NPT entry

Model Number	Description	Order Code
XB16UL02460RYNNZ	STRB, RED LENS, 24VDC, 285CD, CL 1 DIV 2, BLK	PX869410
XB16US02460CYNRZ	STRB, CLEAR LENS, UL 1971, 24VDC, 285CD, CL 1 DIV 2, RD	PX29600042

Additional configuration options available: Body & lens color, tag & duty labels, certification, lens guard, flash rate, voltages 24–48 VDC, 110–254 VAC.

See the XB16 product specification sheet or contact the Eaton Customer Service Team.

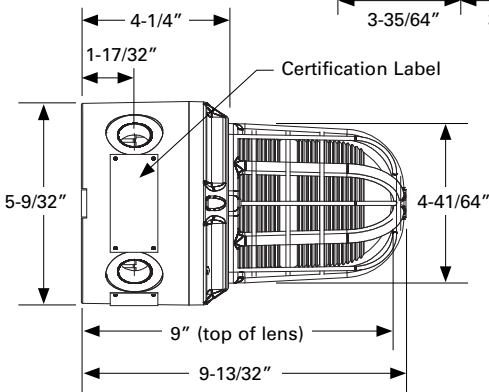
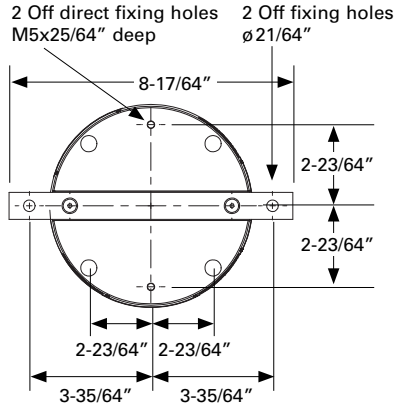
	DC		AC 50/60 Hz				
Voltage	24	48	110	120	230	240	254
XB16 Tube Energy (Joules)	10	10	10	10	10	10	10
Current (mA)	890	300	380	380	220	220	180
Effective candela (cd): 285 at 60 f.p.m.							
UL 1971 on axis output: 15 cd							

Lens Color	Multiplying factor for colored lenses
Red	0.15
Blue	0.12
Amber	0.51
Green	0.49
Yellow	0.86

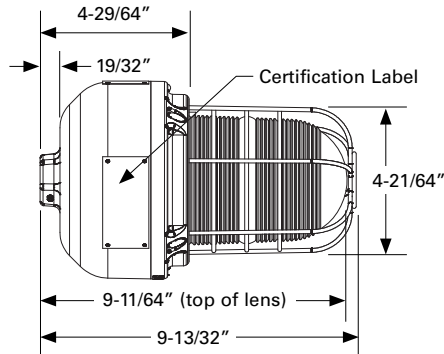
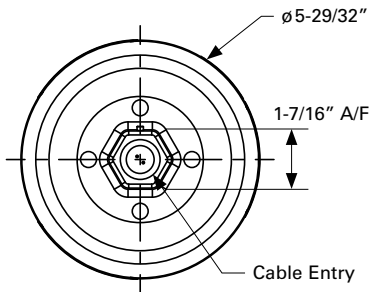
Strobes



DIRECT MOUNT VERSION



POLE MOUNT VERSION



MEDC **XB15** High Intensity Strobes

Available features and options:

- NEMA 4x and 6, IP66 & 67
- 4-Wire monitored connection
- 330 Candela (AC); 382 candela (DC)

**Lens Color:** Red, Blue, Green, Yellow, Amber, Clear

**Voltage:** 24 VDC, 48 VDC, 110 VAC, 120 VAC, 230 VAC, 240 VAC

**Certified Temperature:** -67°F to +158°F (-55°C to +70°C)

**Finish:** Red or Black

**Weight:** 5-3/4 lbs/2.6 kg Pipe Mount, 6-1/2 lbs/3.0 kg Direct Mount

**Material:** Corrosion-free GRP

Approvals:

- UL listed for US and Canada
  - Class I, Div 2, Groups A, B, C and D
  - Class II, Div 2, Groups F and G
  - Class I, Zone 1, AExd IIC T4/T5/T6'
- ULC Listed to Canadian safety standards
- Conforms to ULC regulated power supplies

Model Number	Joules	Description	Order Code
XB15UL0241506CWBNR	15	STRB. CLEAR LENS, 24VDC, 330CD, CLASS 1 DIV 2, RD	PX37600167
XB15UL0241506RWBNN	15	STRB, RED LENS, 24VDC, 330CD, CLASS 1 DIV 2, BLK	PX869398
XB15UL0241506RWPNN	15	STRB, RED LENS, PIPE MT, 24VDC, 330CD, CL 1 DIV 2, BLK	PX869396-ATOH

Additional configuration options available: Body & lens color, relay initiate, flash rate, voltages 24–48 VDC, 110–240 VAC.

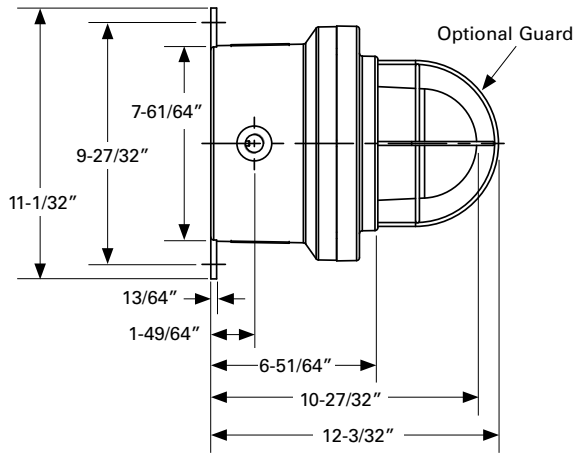
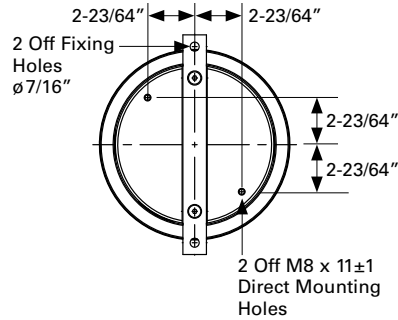
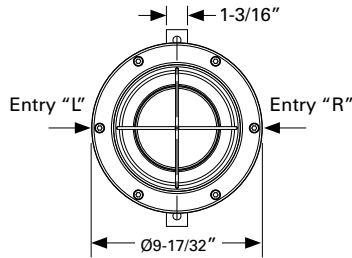
See the XB15 product specification sheet or contact the Eaton Customer Service Team.

	DC		AC 50/60 Hz			
Voltage	24	48	110	120	230	240
XB15 Tube Energy (Joules)	15	15	15	15	15	15
Effective Intensity	382	330	330	330	330	330

**Note:** Data is based on 15 joules.

Lens Color	Multiplying factor for colored lenses
Red	0.12
Blue	0.11
Amber	0.29
Green	0.22
Yellow	0.74

**Strobes**



**MEDC XB12 Strobes**

**Available features and options:**

- NEMA 4x and 6, IP66 & 67
- 4-Wire monitored connection

**Lens Color:** Red, Blue, Green, Yellow, Amber, Clear

**Voltage:** 24 VDC, 110–240 VAC

**Certified Temperature:** –67°F to +158°F (–55°C to +70°C)

**Weight:** 15.5 lb (7.0 kg)

**Entries:** Up to 2–1/2" NPT

**Material:** Corrosion-free GRP

**Approvals:**

- UL listed for US and Canada
  - Class I, Div 2, Groups C and D
  - Class I, Zones 1 and 2, AExd IIB T4/T5
  - CSFM approved

Model Number	Description	Order Code
XB12UL02406CNBNNNR	STRB, CLEAR LENS, 24VDC, 255CD, CLASS 1 DIV 2, RD	PX22600456

Additional configuration options available: Body & lens color, tag & duty labels, lens guard, flash rate, certification, mounting method voltages 24 VDC, 110–240 VAC.

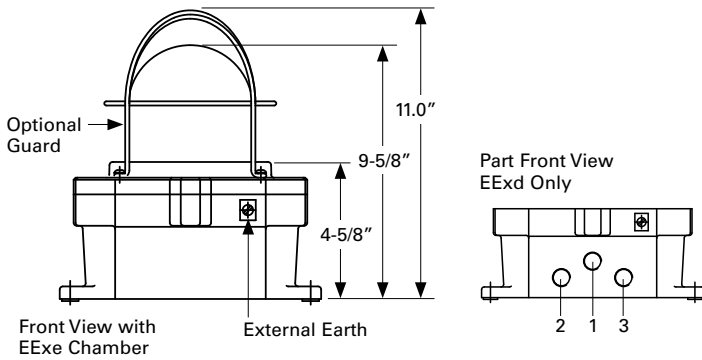
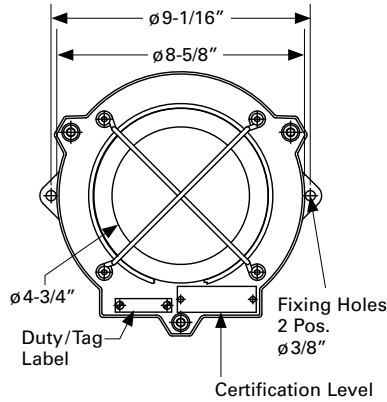
See the XB12 product specification sheet or contact the Eaton Customer Service Team.

	DC	AC 50/60 Hz	
Voltage	24	110	240
XB12 Tube Energy (Joules)	21	21	21
Peak Current Consumption (mA)	1400	350	185
Effective Intensity	355	355	355

Lens Color	Multiplying factor for colored lenses
Red	0.15
Blue	0.12
Amber	0.51
Green	0.49
Yellow	0.86

**Note:** The cd figures are for a clear lens @ 1Hz flash rate.

**Strobes**



**MEDC XB4 Strobes**

**Available features and options:**

- NEMA 4x and 6, IP66 & 67
- 4-Wire monitored connection

**Lens Color:** Red, Blue, Green, Yellow, Amber, Clear

**Voltage:** 24VDC, 110 VAC, 240 VAC

**Certified Temperature:** -67°F to +158°F (-55°C to +70°C)

**Finish:** Red

**Weight:** LM25: 14.5 lb (6.6 kg); Stainless Steel: add 18.5 lb (8.5 kg)

**Entries:** Up to 3 x 1/2" or 3/4" NPT

**Material:** Alloy or Stainless Steel

**Approvals:**

- UL listed for US and Canada
  - Class I, Div 1, Groups C and D
  - Class I, Zone 1, AExd IIB T4

Model Number	Description	Order Code
XB4ULB8D2E3E06ANCN1R	STRB, CLEAR LENS, 24VDC, 355CD, CL 1 DIV 1, RD	PX18800386
XB4ULB8D2E3E06ANRN1R	STRB, RED LENS, 24VDC, 355CD, CL 1 DIV 1, RD	PX869121

Additional configuration options available: Body & lens color, tag & duty labels, lens guard, flash rate, certification, voltages 24 VDC, 110 VAC, 240 VAC.

See the XB4 product specification sheet or contact the Eaton Customer Service Team.

	DC	AC 50/60 Hz	
Voltage	24	110	240
XB4 Tube Energy (Joules)	21	21	21
Peak Current Consumption (mA)	1400	350	185
Effective Intensity	355	355	355

Lens Color	Multiplying factor for colored lenses
Red	0.15
Blue	0.12
Amber	0.51
Green	0.49
Yellow	0.86

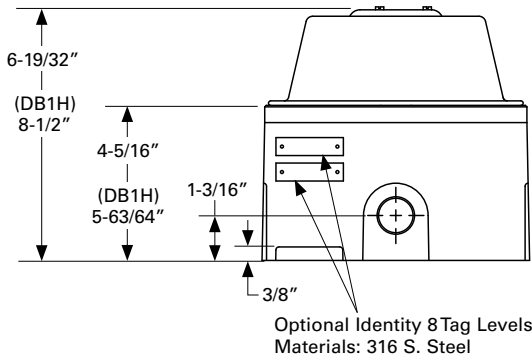
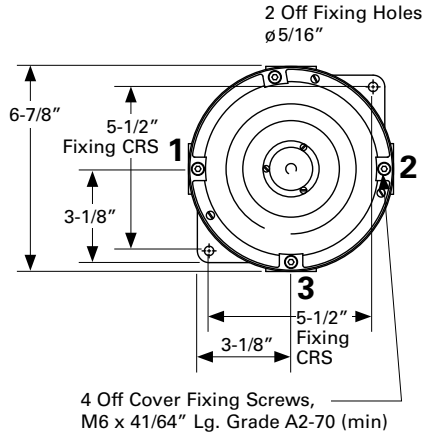
**Note:** The cd figures are for a clear lens @ 1Hz flash rate.



## Explosion-Proof and Hazardous Area Horns, Speakers & Combination Units

Eaton features a variety of horns, speakers and combination horn strobes and speaker strobes designed to cope with the harsh environmental conditions found offshore and onshore in the oil, gas and petrochemical industries.

Horns



**MEDC DB1 Horns**

**Available features and options:**

- Flameproof horns
- IP66
- 4-Wire monitored connection
- 27 Output tones, user selectable

**Finish Color:** Red (Gray and special also available)

**Voltage:** 12 VDC, 24 VDC, 48 VDC, 110VAC (DB1P version only)

**Certified Temperature:** -13°F to +158°F (-25°C to +70°C)

**Weight:** DB1P 7.7 lb (3.5 kg); DB1HP 12.3 lb (5.6 kg)

**Material:** LM25 corrosion resistant alloy with stainless steel cover screws. ABS flare.

**Approvals:**

- UL listed for US and Canada
  - Class I, Div 2, Groups C and D
  - Class 1, Zone 1
- NFPA 72 Compliant

Model Number	Description	Order Code
DB1HPULA024D1D2NNNR	MULTITONE, 24VDC, 100dBA, CL 1 DIV 1, RD	PX869115
DB1PULA024D1D2NNNR	MULTITONE, 24VDC, 93dBA, CL 1 DIV 1, RD	PX869111

Additional configuration options available: Body Color, tag & duty labels, certification, voltages 12, 24, 48 VDC, 110 VAC.

See the DB1 product specification sheet or contact the Eaton Customer Service Team.

**Current Consumption**

Model	Voltage			
	12V	24V	48V	110V
DB1P	125mA	250mA	250mA	60mA
DB1HP	900mA	700mA	—	—

Max Sound Levels: DB1(P) = 93 ± 3dB(A) (86 ± 3dB(A) for 12V DB1).

DB1H(P) = 100 ± 3dB(A) @ 10 feet.

**Note:** Sound level is dependent upon the tone selection.

Labels: Duty and Tag labels optional

Entries: Up to 3 x 1/2" or 3/4" NPT

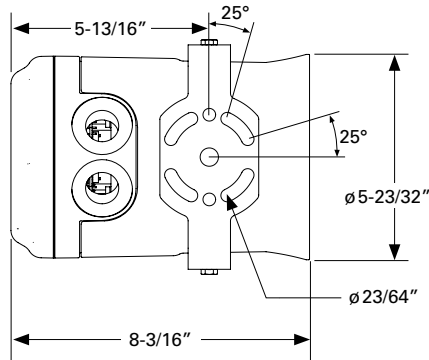
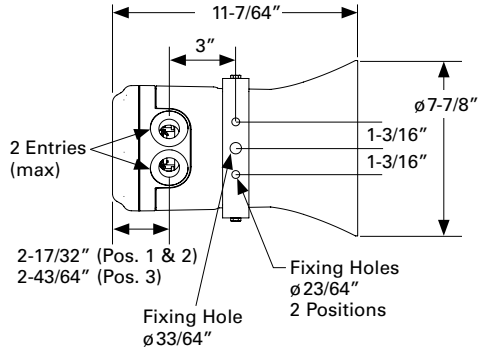
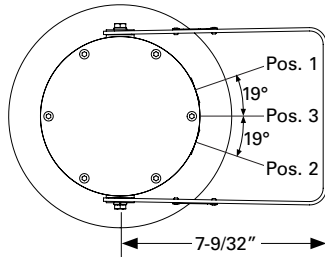
Terminals: Suitable to accept up to 12AWG conductor size

**Tone Selection: 27 Tones**

1	Alt Tones 800/970 Hz at 1/4 sec.	15	554 Hz for 0.1S/440 Hz for 0.1S
2	Sweeping 800/970 Hz at 7 Hz	16	Int 660 Hz 150 mS on 150 mS off
3	Sweeping 800/970 Hz at 1 Hz	17	Int 660 Hz 1.8 sec. on 1.8 sec. off
4	Continuous at 2850 Hz	18	Int 660 Hz 6.5 sec. on 13 sec. off
5	Sweeping 2400–2850 Hz at 7 Hz	19	Continuous 660 Hz
6	Sweeping 2400–2850 Hz at 1 Hz	20	Alt 554/440 Hz at 1 Hz
7	Slow Whoop	21	Int 660 Hz at 7/8 Hz
8	Sweep 1200–500 Hz at 1 Hz	22	Int 2850 Hz 150 mS on 100 mS off
9	Alt Tones 2400/2850 Hz at 2 Hz	23	Sweep 800–970 Hz at 50 Hz
10	Int Tones of 970 Hz at 1 Hz	24	Sweep 2400–2850 Hz at 50 Hz
11	Alt Tones 800/970 Hz at 7/8 Hz	25	3x970 Hz pulses 0.5 off, 1.5 off
12	Int Tone at 2850 Hz at 1 Hz	26	3x2850z pulses 0.5 on/0.5 off, 1.5 off
13	970 Hz at 1/4 sec. on 1 sec. off	27	Int 3100 Hz 0.3 sec. on 0.7 sec. off
14	Continuous at 970 Hz		



## Horns



## MEDC DB3B Horns

### Available features and options:

- Glass Reinforced Polyester (GRP) with high-impact thermoplastic polyester
- NEMA 4x & 6, IP66 & 67
- Integral volume control
- Up to 112 dB output @ 10 ft
- 28 Tones, user selectable

**Finish:** Natural Black, Red, Special Finish

**Mounting:** Stainless steel bracket and cover screws

**Voltage:** 12–48 VDC, 110 VAC up to 254 VAC

**Certified Temperature:** -67°F to +158°F (-55°C to +70°C)

**Entries:** Up to 2 x 1/2" NPT

**Weight:** 10 lb (4.6 kg)

### Approvals:

- UL listed for US and Canada
  - Class I, Div 2, Groups A–D
  - Class I, Zone 1, Ex d IIC/AEx d IIC Gb
  - Class II, Div 2, Groups F and G
  - Zone 21, AEx tb IIIC
  - Class III, Div 1

Model Number	Description	Order Code
DB3BULG048N2CPNR	MULTITONE, 48VDC, 115dB, CL 1 DIV 2, RD	PX41900061
DB3BULG120N2CPNR	MULTITONE, 110VAC, 115dB, CL 1 DIV 2, RD	PX41900103

Additional configuration options available: Body Color, tag & duty labels, end of line resistor, certification, voltages 12–48 VDC, up to 254 VAC. See the DB3B product specification sheet or contact the Eaton Customer Service Team.

### Max Sound Levels

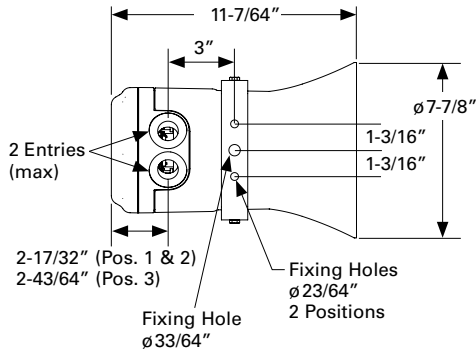
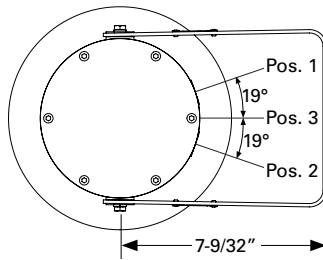
Flare Type	Maximum output (dB) 1400 Hz @ 10 ft.
Short GD	103dB
Long GD	106dB
Short G	109dB
Long G	112dB

### Current Consumptions

Voltage	IIC unit	IIIC unit
12 VDC	700 mA	716 mA
24 VDC	329 mA	339 mA
48 VDC	171 mA	173 mA
110 VAC	115 mA	122 mA
120 VAC	106 mA	113 mA
220 VAC	59 mA	63 mA
230 VAC	52 mA	55 mA
240 VAC	55 mA	58 mA
254 VAC	59 mA	63 mA



Speakers



**MEDC DB4B Speakers**

**Available features and options:**

- Corrosion-resistant GRP
- NEMA 4x and 6, IP66 & 67
- 114 dB at 25 watts @ 10 ft
- 8, 15, and 25 Watt versions
- Power tapplings, via integral transformer

**Color:** Red

**Mounting:** Bracket with ratchet facility

**Power:** 8 watts, 15 watts, 25 watts

**Certified Temperature:** -67°F to +158°F (-55°C to +70°C)

**Entries:** Up to 2 x 1/2" NPT

**Weight:** 11 lbs (5.0 kg)

**Approvals:**

- UL listed for US and Canada
  - Class I, Div 2, Groups A–D
  - Class I, Zone 1, Ex d IIC/AEx d IIC Gb
  - Class II, Div 2, Groups F and G
  - Zone 21, AEx tb IIIC
  - Class III, Div 1

Model Number	Description	Order Code
DB4BULG1570N2CPCR	SPKR, 70 VRMS, 15W TRANSFORMER, CL 1,DIV 2, RD, 1.5 µF cap	PX39900057
DB4BULG2570N2CPCR	SPKR, 70 VRMS, 25W TRANSFORMER, CL 1 DIV 2, RD, 1.5 µF cap	PX39900058

Additional configuration options available: Body Color, tag & duty labels, transformer, certification, power 25W, 15W, 8W.

See the DB4B product specification sheet or contact the Eaton Customer Service Team.

**Note:** For fire system applications, a transformer and 1.5µF capacitor is required on all DB4B products and should be noted on your order.

Transformer Trappings	Power		
	25W*	15W*	8W*
1:2	25.0	15.0	8.0
2:3	12.5	7.5	4.0
3:4	6.0	5.0	2.0
1:3	4.0	4.0	1.5
2:4	2.0	2.0	0.7
1:4	1.0	0.8	0.4

\* Include blocking capacitor for DC supervision of field wiring.

**Transformer Options:**

- Loop in/Loop out: (4 x 2) terminal tap change (8 terminals)
- Optional Tapping: 4 terminal tap change with 2 terminals (5 & 6) directly connected to driver (8 ohms).

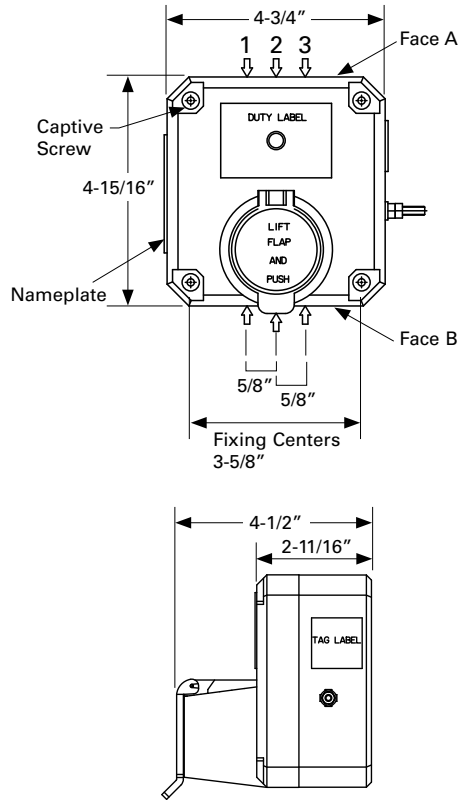
Frequency Range: 400Hz to 8kHz



## Explosion-Proof & Hazardous Location Call Points

Eaton offers a broad range of Explosion-Proof and Hazardous Location Call Points designed for activation of fire alarm panels.

**Call Points**



**MEDC PB Call Points**

**Available features and options:**

- Manual Alarm Call Points designed for hazardous locations
- NEMA 4x & 6, IP66
- In-line and end-of-line resistors fitted
- Optional LED to indicate operation
- Glass Reinforced Polyester (GRP)

**Color:** Red

**Certified Temperature:** -13°F to +131°F (-25°C to +55°C)

**Weight:** 2.6lbs / 1.2Kg - model dependent

**Entries:** Up to 4 entries 1/2" NPT

**Weight:** 2.6 lb (1.2 kg) varies with model & entries

**Approvals:**

- UL listed
  - Class I, Div 2, Groups A–D
  - Class II, Div 2, Groups F and G
  - Class I, Zone 2
- CSA

Model Number	Description	Order Code
PBUL4C6C4DSN7R	PUSH BUTTON, CL 1 DIV 2, FIRE LABEL, RD	PX28000043

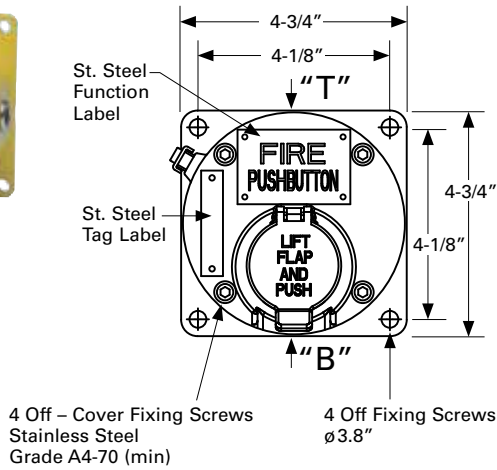
Additional configuration options available: Body color, LED, series & EOL resistors, diode, earth continuity (not UL), turn & push, self reset, tag & duty labels.

See the product specification sheet or contact the Eaton Customer Service Team.

Terminals: Will accept up to 14AWG cable

Material: Corrosion-free GRP

Call Points



**MEDC SM87PBL Call Points**

**Available features and options:**

- Call Point designed for arduous environmental conditions
- Easy to install and maintain
- IP66 & 67

**Color:** Red, Blue, Yellow, Yellow/Black Stripes

**Certified Temperature:** -40°F to +158°F (-40°C to +70°C)

**Entries:** Up to 4 entries 1/2" or 3/4" NPT

**Weight:** 5.5 lb (2.5 kg) varies with model & entries

**Approvals:**

- UL listed
  - Class I, Div 1, Groups C and D
  - Class I, Zone 1
- CSA

Model Number	Description	Order Code
SM87PBLAUL3T3B3NNR	PUSH BUTTON, CL 1 DIV 1, FIRE LABEL, RD	PX36200102

Additional configuration options available: Body color, LED, series & EOL resistors, diode, earth continuity (not UL), turn & push, self reset, tag & duty labels.

See the product specification sheet or contact the Eaton Customer Service Team.

- Terminals: Will accept up to 14AWG cable
- Material: LM25 TF Marine Grade Alloy
- Resistors: 470R minimum
- Switch Rating: 2 amp, 2 pole c/o, wired to terminals



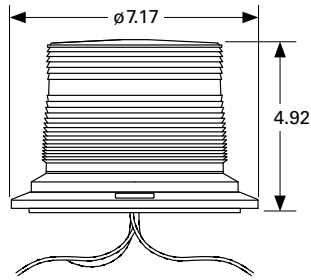
# Industrial Signals

- Strobes
- Multitones & Multitone Strobes
- Bells
- Horns



## Industrial Strobes

**Strobes**



**MAX Strobes**

**Available features and options:**

- Designed for high-intensity, weather-resistant visible warning
- Powerful double flash light burst
- 60 Double flashes per minute
- Durable, high-impact Lexan, construction
- Intended for supplemental warning

**Strobe Colors:** Amber, Blue, Clear and Red

**Mounting:** 1/2" pipe, surface mount, flange mount, standard 4" square electrical box or Wheelock WBB weather resistant backbox (order code 2959)

**Approvals:** UL Standard 1638 for indoor and outdoor use

Model Number	Finish	Order Code
<b>120 VAC</b>		
<b>Double Flash</b>		
AC-MAX-A	Amber	8120
AC-MAX-B	Blue	8121
AC-MAX-C	Clear	8122
AC-MAX-R	Red	8124
<b>Double Flash w/ two 7 watt lamps</b>		
AC-MAXS-A	Amber	8125
AC-MAXS-B	Blue	8126
AC-MAXS-C	Clear	8127
AC-MAXS-R	Red	8129
<b>10.5 - 31.0 VDC Double Flash</b>		
DC-MAX-A	Amber	8130
DC-MAX-B	Blue	8131
DC-MAX-C	Clear	8132
DC-MAX-R	Red	8134
<b>Double Flash w/ two 7 watt lamps</b>		
DC-MAXS-A	Amber	8135
DC-MAXS-B	Blue	8136
DC-MAXS-C	Clear	8137
DC-MAXS-R	Red	8139

**AC-MAX and AC-MAXS**

Color	Effective Candela (cd)	Current Draw
Amber	80cd	0.20 @ 120 VAC
Blue	12cd	
Clear	100cd	
Red	20cd	

**DC-MAX and DC-MAXS**

Color	Effective Candela (cd)	Current Draw
Amber	80cd	1227 mA @10.5 VDC
Blue	12cd	1010 mA @12 VDC
Clear	100cd	470 mA @ 24 VDC
Red	20cd	344 mA @ 31 VDC

**Note:** Reference pages 49-58 for additional mounting information.

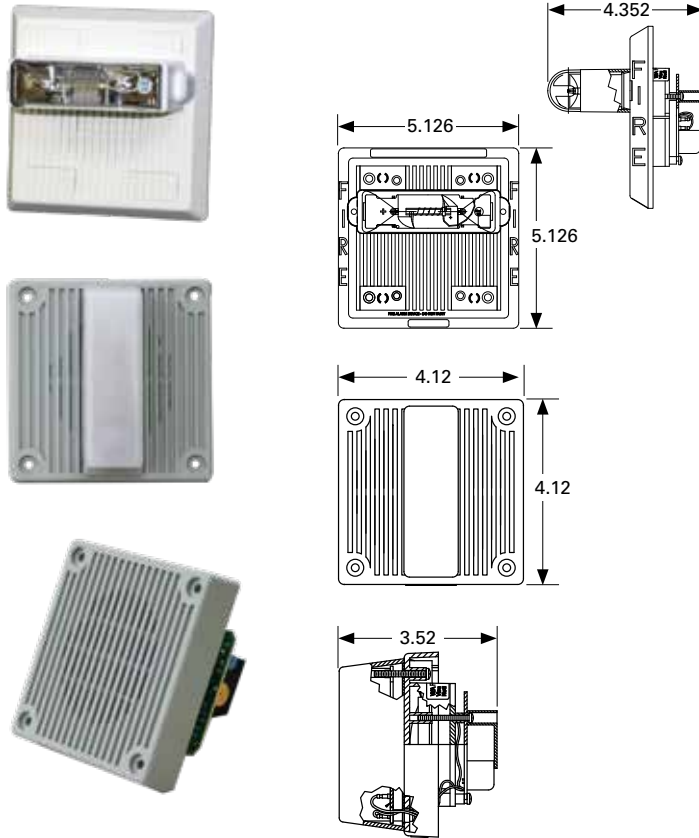


## Industrial Multitones & Multitone Strobes

- MT Multitones and Multitone Strobes
- AMT Multitones and Multitone Strobes



**Multitones and Multitone Strobes**



**Wall Mount Multitone Strobes**

Model Number	Finish/Ltr	Order Code
<b>15/30/75/110cd</b> MT-24MCW-NW	White, No Ltr	3305
<b>1575cd</b> MT-121575W-NW	White, No Ltr	9747
<b>15cd</b> MT4-115-WH-VNS	Silver, No Ltr	
Mounting Options: D, E, F, J, L, M, N, O, P, R (MT) D, E, J, K, N, O, R (MT4)		

**Wall or Ceiling Mount Multitones**

Model Number	Finish	Order Code
MT-12/24-W	White	5024
MT4-12/24-S	Silver	
MT4-115-S	Silver	
Mounting Options: D, E, F, J, L, M, N, O, P, R (MT) D, E, J, K, N, O, R (MT4)		

**UL Max. Strobe Current**

16-33 VDC					8-17.5 VDC
15cd	30cd	75cd	110cd	15/75cd	15/75cd
0.060	0.092	0.165	0.220	0.090	0.255

**MT Multitones and Multitone Strobes**

**Available features and options:**

- Superior sound penetration for various ambient and room conditions
- 8 Alerting sounds
- 2 Selectable sound outputs

**Finish Color:** Red or White

**Mounting:** Wall

**Voltage:** 12 or 24 VDC, 120 VAC

**Strobe Candela:** 1575

**Approvals:** UL, MEA, CSFM, FM, ULC, BFP

**UL Max. Current**

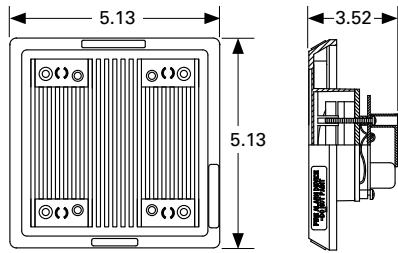
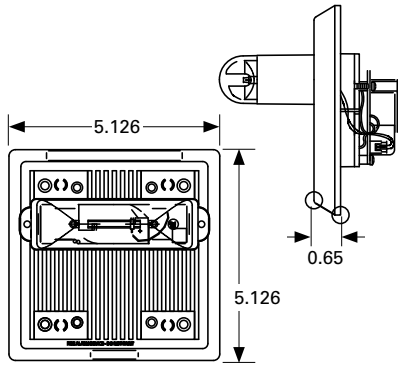
	16-33 VDC		8-17.5 VDC		120 VAC	
	HI Out	STD Out	HI Out	STD Out	HI Out	STD Out
Horn	0.108	0.044	0.177	0.034	0.050	0.045
Bell	0.053	0.024	0.095	0.020	0.045	0.045
March Time Horn	0.104	0.087	0.142	0.034	0.050	0.045
Code-3 Horn	0.122	0.035	0.200	0.034	0.050	0.045
Code-3 Tone	0.135	0.035	0.152	0.021	0.045	0.045
Slow Whoop	0.098	0.037	0.142	0.035	0.050	0.045
Siren	0.104	0.036	0.152	0.030	0.045	0.045
Hi/Lo	0.057	0.025	0.114	0.026	0.045	0.045

**dBA**

	dBA @ 10 ft. (UL Reverberant)				dBA @ 10 ft. (anechoic)		dBA @ 10 ft. (UL Reverberant)	
	16-33 VDC		8-17.5 VDC		8-17.5 and 16-33 VDC		120 VAC	
	HI Out	STD Out	HI Out	STD Out	HI Out	STD Out	HI Out	STD Out
Horn	92	87	92	87	99	93	89	86
Bell	86	80	86	80	92	87	80	74
March Time Horn	89	84	89	84	99	93	86	83
Code-3 Horn	88	83	88	83	99	93	85	82
Code-3 Tone	85	80	85	80	95	90	84	81
Slow Whoop	90	85	90	85	99	94	87	84
Siren	89	84	89	84	98	93	87	84
Hi/Lo	86	81	86	81	93	88	84	80

**Note:** Reference pages 49-58 for additional mounting information.

## Multitones and Multitone Strobes



## AMT Multitones and Multitone Strobes

Available features and options:

- Ideal for 4 wire designs
- 8 Selectable alerting sounds
- Ideal for combination fire and burglary

**Finish Color:** Red or White

**Mounting:** Wall

**Voltage:** 24 VDC

**Strobe Candela:** 15/30/75/110cd

**Approvals:** UL, CSFM, FM, ULC

### Wall Mount Multitone Strobes

Model Number	Finish/Ltr	Order Code
<b>15/30/75/110cd</b>		
AMT-24MCW-FW	White	3302
AMT-24MCW-NW	White, No LTR	5587

### Wall or Ceiling Mount Multitones

Model Number	Finish	Order Code
AMT-12/24-W	White	5893

Mounting Options: D, E, F, L, M, O, P, R

### UL Max. Strobe Current

16-33 VDC			
15cd	30cd	75cd	110cd
0.060	0.092	0.165	0.220

### UL Max. Current

	16-33 VDC		8-17.5 VDC	
	HI Out	STD Out	HI Out	STD Out
Horn	0.108	0.043	0.210	0.058
Bell	0.057	0.026	0.117	0.031
March Time Horn	0.108	0.035	0.210	0.059
Code-3 Horn	0.108	0.043	0.210	0.057
Code-3 Tone	0.060	0.030	0.168	0.052
Slow Whoop	0.112	0.044	0.182	0.056
Siren	0.102	0.038	0.177	0.055
Hi/Lo	0.064	0.030	0.131	0.028
Vibrating Chime	0.041	0.020	0.090	0.028

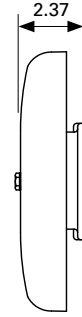
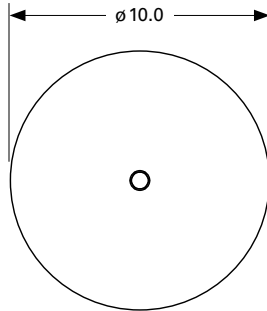
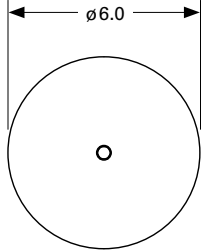
**Note:** Reference pages 49-58 for additional mounting information.



## Bells

- 43T Vibrating Bells
- MB Motor Bells

Vibrating Bells



**43T Vibrating Bells**

**Available features and options:**

- Aluminum bell housing
- Screw terminal connections
- Solenoid
- Low power consumption
- Semi-flush mounting to standard 4" square backboxes or surface mounting to Wheelock's surface backboxes

**Finish Color:** Gray or Red

**Mounting:** Wall

**Sell Size:** 6" and 10"

**dBa @ 10 Feet:** 86 - 88

**Approvals:** UL, MEA, CSFM, FM, BFP, ULC

Model Number	Finish	Order Code
<b>6" Bells</b>		
43T-G6-24-R	Red	1627
43T-G6-24-S	Gray	1626
43T-G6-115-R	Red	1631
43T-G6-115-S	Gray	1630
<b>10" Bells</b>		
43T-G10-24-R	Red	1647
43T-G10-24-S	Gray	3800
43T-G10-115-R	Red	1651
43T-G10-115-S	Gray	3693

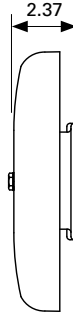
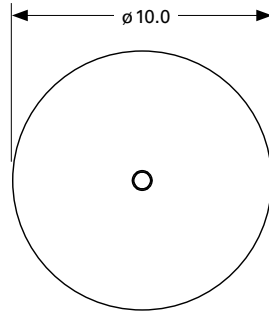
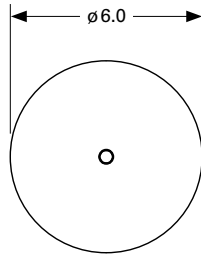
Mounting Options: D, E, J, K, R, S, Z

**Input Current**

16-33 VDC	115VAC	dBa @ 10 ft.
0.410	0.085	86 - 88

**Note:** Reference pages 49-58 for additional mounting information.

**Motor Bells**



**MB Motor Bells**

**Available features and options:**

- Aluminum bell housing
- Screw terminal connections
- Motor driven
- Low power consumption
- Semi-flush mounting to standard 4" square backboxes or surface mounting to Wheelock's surface backboxes

**Finish Color:** Gray or Red

**Mounting:** Wall

**Sell Size:** 6" and 10"

**dBA @ 10 Feet:** 92

**Approvals:** UL, MEA, CSFM, FM, BFP, ULC

Model Number	Finish	Order Code
<b>6" Bells</b>		
MB-G6-12-R	Red	3942
MB-G6-12-S	Gray	4221
MB-G6-24-R	Red	3941
MB-G6-24-S	Gray	4222
<b>10" Bells</b>		
MB-G10-12-R	Red	3944
MB-G10-12-S	Gray	4223
MB-G10-24-R	Red	3943
MB-G10-24-S	Gray	4224

Mounting Options: D, E, J, K, R, S, Z

**UL Max. Current**

16-33 VDC	8-17.5 VDC	dBA @ 10 ft.
0.040	0.090	92

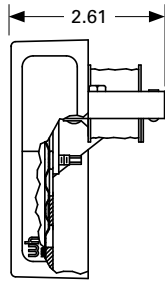
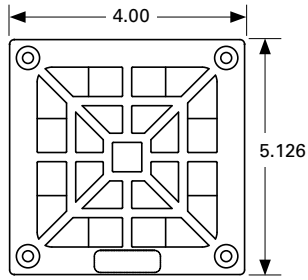
**Note:** Reference pages 49-58 for additional mounting information.



## Industrial Horns

- 31T Electronic Horns
- MTH-24 Horns

**Electronic Horns**



**31T Electronic Horns**

**Available features and options:**

- High-performance mechanical horn
- Ideal for life safety applications
- Low current draw

**Finish Color:** Red or Gray

**Mounting:** Wall

**dBA Rating:** 95

**Voltage:** 115 VAC

**Approvals:** UL, FM, CSFM

Model Number	Finish	Order Code
31T-115-R	Red	2805
31T-115-S	Gray	0521

Mounting Options: D, E, J, K, N, O, R

**UL Max. Current**

115 VAC	dBA @ 10 ft.
0.160	95

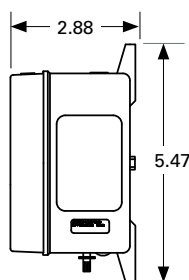
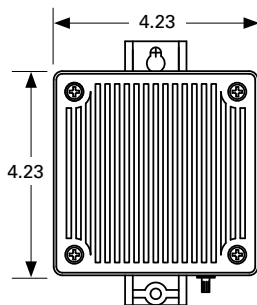
**Note:** Reference pages 49-58 for additional mounting information.



# Telephone Signaling & Commercial Audio



**Telephone Alerts**



**UTA Universal Telephone Alerts**

**Available features and options:**

- Loud attention getting electronic ringers
- Designed for use in noisy locations or for wide area coverage
- Operates off the telephone ringer voltage
- Low current draw and REN
- Tamper resistant volume control
- Dip switch selectable

**Color:** Gray

**Four selectable sound patterns:** Horn, Bell, Vibrating Chime, Single Chime

High output 109 dB piezo speaker

**Approvals:** UL Standard 1950, CSA, IC, DOC

Multiple voltage activation

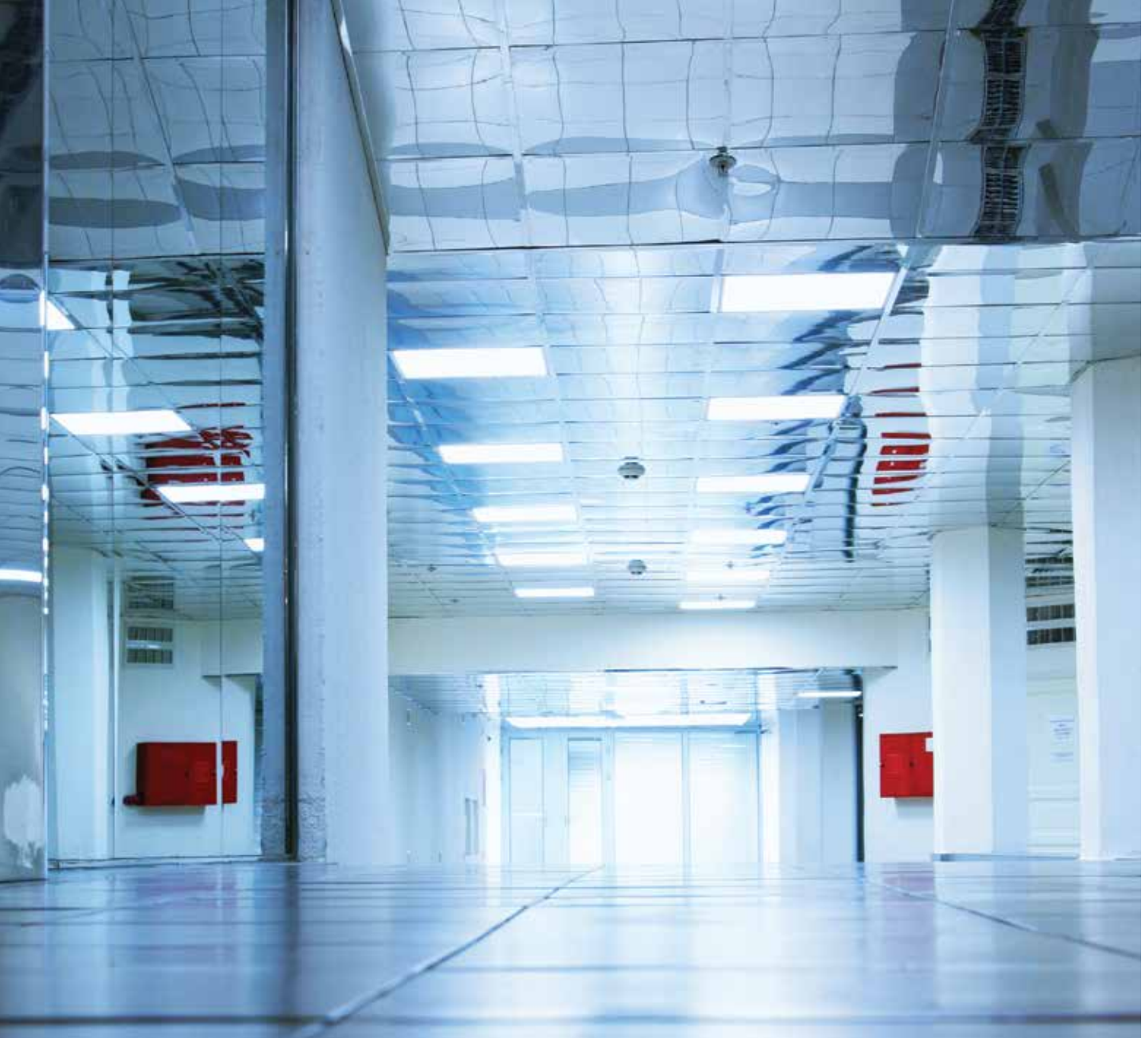
Model Number	Color	Order Code	Power Requirements
UTA-1	Gray	6338	24 VDC, 24 VAC, 48 VDC, 90 VRMS/20-30Hz
<b>w/ Strobe</b>			
UTA-WH-VPS	Gray	6348	115 VAC power for strobe and piezo operation telephone ring trigger for activation via 24 VDC, 24 VAC, 48 VDC, 90 VRMS/20-30Hz

**Tone Volume Range and Description**

	UTA-1	UTA-WH	Description
Horn	73–108 dB	82–109 dB	Broadband Horn
Bell	61–100 dB	76–104 dB	1560 Hz Modulated (0.07 Sec. ON/Repeat)
Vibrating Chime	57–97 dB	68–94 dB	700 Hz (1.0 Sec. Decay/Repeat)
Single Chime	57–96 dB	68–94 dB	700 Hz (1.0 Sec. Decay)

Model Number	Tones	dB @ 3 feet (1 meter)				Ring Voltage Current Draw mA			REN
		48 VDC	24 VDC	24 VAC	90 VRMS 20 Hz	48 VDC	24 VDC	24 VAC	90 VRMS 20 Hz
UTA-1	Horn	107	108	105	104	26	30	46	1.6
	Bell	100	100	102	100	10	9	35	1.4
	Vibrating Chime	94	96	99	97	7	6	29	1.25
	Single Chime	94	96	100	96	6	6	34	1.25
UTA-WH-VPS	Horn	109	109	109	109	3	2.5	4	0.5
	Bell	104	104	104	104	3	2.5	4	0.5
	Vibrating Chime	94	94	94	94	3	2.5	4	0.5
	Single Chime	94	94	94	94	3	2.5	4	0.5
Voltage Range:						36–60	20–30	20–30	40–130

**Note:** Reference pages 49-58 for additional mounting information.

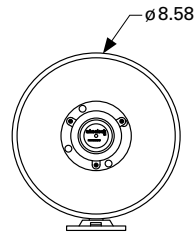
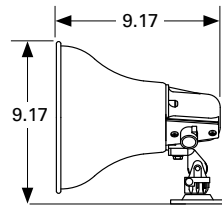
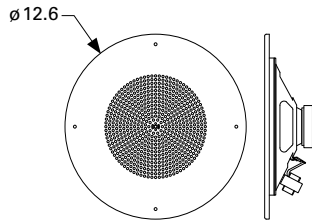


## Paging Speakers, Horns, Volume Controls

Paging speakers and horns for clear, audible output of voice paging, background music, and tone alerting.

Volume controls for setting the loudness of speakers in individual rooms or areas.

**Paging Speakers & Horns**



**ST Paging Speakers and Horns**

**Available features and options:**

- Provides clear, audible output for voice paging, background music and tone alerting.

**Speaker Size:** 8" or 10"

**Mounting:** Flush or surface mount

**Grilles:** Metal or plastic

**Color:** White, beige

Model Number	Color	Order Code
<b>8", flush mount</b>		
ST-C8	White	4114
ST-C8M (metal)	White	8474
<b>8", flush mount, recessed volume control</b>		
ST-C8V	White	4871
<b>8" D, 15 Watt</b>		
STH-15-B	Beige	5147
<b>10", 30 Watt</b>		
STH-30	Beige	5148

	dBa @ 1 meter	Frequency Response
8"	86	80 Hz–14,000Hz

Sound output measured at 1W @ 2KHz for ST-B4, ST-C8, ST-C8V, ST-C8MV.

	dBa @ 1 meter	Frequency Response
15 Watt	122	275 Hz–10,000 KHz
30 Watt	125	275 Hz–10,000 KHz

Full rated power for STH15-B and STH30.

**STH-30 Wattage Selector Switch Positions**

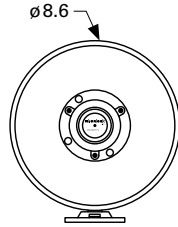
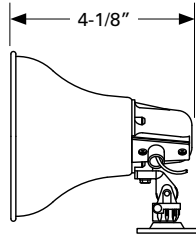
	1	2	3	4	5	6	7
25V	0.3	0.5	0.9	1.9	3.8	6.9	13.9
70V	2.0	3.8	7.5	15.0	30.0	–	–
100V	4.0	7.5	15.0	30.0	–	–	–

**STH-15B Wattage Selector Switch Positions**

	1	2	3	4	5	6	7
25V	–	–	0.48	0.94	1.8	7.5	15.0
70V	1.0	2.0	3.8	7.5	15.0	–	–
100V	2.0	4	7.5	15.0	–	–	–

## Paging Horns

### Horns



### SA Self-Amplified Paging Horns

#### Available features and options:

- Universal, fully adjustable mounting base with banding slots for beams and pillars
- Conduit interface adapter with clear plastic shield
- Weatherproof

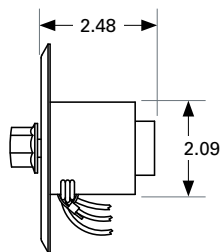
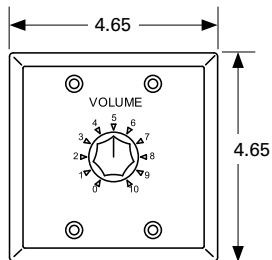
**Mounting:** Surface

Model Number	Color	Order Code
<b>8", 5 Watt</b>		
SA-H5-B	Beige	5145
<b>8", 15 Watt</b>		
SA-H15-B	Beige	5146

	dBA @ 1 meter	Frequency Response	Power Output @ 1000 Hz/ Nominal Current
5 Watt	114	375 Hz–14,000 Hz	5 watts/325 mA
15 Watt	117	375 Hz–14,000 Hz	15 watts/1.4 Amps 7.5 watts/900mA

SA Series speakers have barrier, clamp-type screw terminals, impedance: 600 Ohms/operating voltage: 18-28 VDC. Sound output (dBA @ 1 meter) measured at rated power output at 100 Hz.

**Volume Controls**



**VC Volume Controls-**

**Available features and options:**

- Volume Control
- 25V or 70V
- Auto-transformer design
- Stainless steel wall plate

Rotary switch that attenuates in 3dB stops to a completely off position

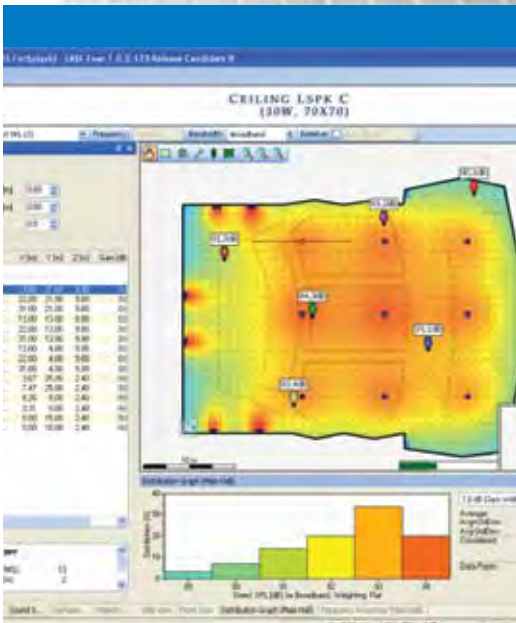
<b>Model Number</b>	<b>Order Code</b>
<b>Double Gang 35 Watts</b>	
VC-35	5160

<b>Frequency Response</b>	<b>Insertion Loss</b>
Better than 17 kHz	Less than 0.5dB



## Eaton is pleased to offer speaker data files for EASE and EASE Evac software programs. The GLL files include data on our full product line from indoor Hi-Fidelity Speakers to outdoor High-Power Speaker Arrays.

- Import of image files, Google Sketchup, AutoCAD DXF as well as EASE models as a basis for the entry of room geometry by mouse or in a table.
- Auto-arrange function for fast layout of ceiling-mounted sound systems.
- Insertion and modification of individual ceiling- and wall-mounted sound sources.
- Top view, side, and front view for easy loudspeaker placement and intuitive investigation of sound distribution in the vertical plane.
- Mapping of Direct SPL (Z or A-Weighted), Total SPL (Z or A-Weighted), S/N Ratio.
- Room acoustic calculations based on definition of reverberation time or assignment of acoustic materials to surfaces according to Eyring & Sabine.
- Mapping of speech intelligibility as STI (IEC 60268-16), CIS, ALCons.
- Analysis in 1/3rd octave, 1/1 octave, 3/1 octave bandwidth or broadband, frequency range from 100 Hz to 10 kHz.
- Relative mapping function and distribution graph for statistical analysis of coverage.
- Frequency response plots for multiple receiver locations, relative or absolute display.
- Section plan for user-defined mappings in the vertical plane.
- Printable report document including all results and drawing details.
- Export of drawings in AutoCAD DXF, Google Sketchup, EASE formats or as image file.
- Calculation engine based on EASE 4.3 industry standard for electro- and room-acoustic modeling.
- Expandable database of common noise levels, surface materials, 3D objects and sound sources.
- Supports multiple rooms within one project.
- Display and data entry in metric units or US units.
- User-defined colors and window layout.



### To import speaker data files:

Visit <http://www.eaton.com/massnotification/software> and scroll to Wheelock and WAVES Files – EASE and EASE Evac Software.

Available exclusively from AMFG

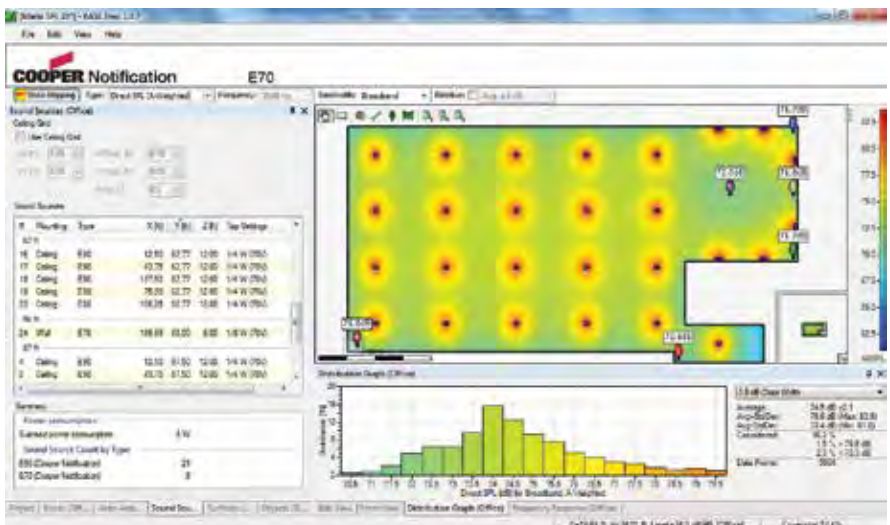
To order EASE Evac software or register for a trial version, visit: <http://evac.afmg.eu/>

For technical support on EASE Evac:

Email: [support-us@afmg.eu](mailto:support-us@afmg.eu)  
Hotline: 855-411-2364

Eaton is not endorsing, supporting or selling AFMG's EASE Evac voice evacuation software. We are pleased to offer speaker data files for EASE Evac to help integrators and installers design for intelligibility. Eaton makes no representations whatsoever with regard to the quality or function of AFMG's EASE Evac software.

EASE and AFMG are registered trademarks of AFMG Technologies GmbH.





# Voice Evacuation/ Mass Notification

Providing advanced technological voice evacuation/emergency communications systems, for delivering real-time information to people in a building or outdoor areas.

- Indoor Communications System & Accessories
- In-Building Mass Notification Systems
- Wide-Area High-Power Speaker Arrays

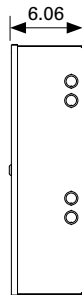
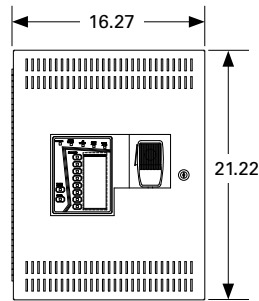


## Indoor Communications System & Accessories

The SAFEPATH voice evacuation system (SP40S) and accessories provide supervised in-building emergency communications. The multi-use system can function as an evacuation system, emergency messaging system, paging system, employee notification system and a background music system.



## Voice Evacuation System



## SAFEPATH SP40S Voice Evacuation System

## Available features and options:

- Multi-Function Supervised Paging, Messaging, Background Music Delivery and Emergency Voice Evacuation System
- 24 VDC battery backup
- On-board digital voice messaging system with 8 standard messages
- Hand-held microphone and power supply/battery charger
- Expandable to 5280 watts
- Contact closure message activation
- 40 Watts supervised audio power
- Compatible with all Wheelock power supplies, speakers, strobes, clusters, and high power speaker arrays

**Approvals:** UL, CSMF, MEA, FCC

Model Number	Order Code	Description
SP40S	9929	Single channel system with 40 watts of supervised audio power and 2 amps of supervised 24 VDC synchronized strobe power and 8 standard messages. (Batteries not included, 2 required.) Red Enclosure.
SP40S-B	9935	Same as above but with black enclosure
SP40S-D	9781	Single channel system with 40 watts of supervised audio power and 2 amps of supervised 24 VDC synchronized strobe power and 8 standard messages. (Batteries not included, 2 required.) Red Enclosure. Includes 10-minute message time-out feature.
SP40S-D-B	9854	Same as SP40S-D but with black enclosure
BAT-1212	7390	12 volt, 12-ampere hour battery
AM-SP40S-SMK	9937	SP40S After Market 8 Message Standard Message Kit
AM-SP40S-PMK	9938	SP40S After Market 8 Message Programmed Message Kit
AM-SP40S-NBT	9939	SP40S After Market Narrow Band Signal Tone Kit
SP-COA	9908	C.O. Port Adapter for the SP40S Recommended 24 VDC Power Supply is Wheelock RPS-2406 (Order Code 3770)

## Audio/Technical Specifications

Switch mode, Class D amplifier (40 Watts)	
Speaker Outputs	25V or 70.7V power limited
Frequency Response	Voice: 275 Hz–6.5 kHz BGM: 100 Hz–15 kHz Meets UL Voice Evacuation Requirements of 800–2800 Hz
Signal to Noise Ratio	Better than 65 dB
Dynamic Range	Better than 65 dB
Total Harmonic Distortion	Less than 2%
Stand by Current Draw	130 mA
Alarm Current Draw	4.7 amps

**Microphone & Expansion Module**



**SAFEPATH Remote Microphone and Expansion Module**

**Available features and options:**

SPRM

- Remote Microphone for use with the SAFEPATH Facility Communications System SP40S or SP4-RMX.
- Can be mounted up to 2,000 feet away from the SP40S

SP4-RMX

- Remote Microphone Expansion Module expands one microphone from the SP40S or up to 3 remote microphones
- Provides for an auxiliary input for connection of an external VoiceLink message repeater for additional messages

Model Number	Order Code	Description
SPRM	8996	Remote Microphone for use with the SP40S, SPB-320, SPB-160, SPB-80/4 or SP4-RMX; red plate
SPRM-GP	9927	General Paging Microphone for use with the SPB-320, SPB-160, or SPB-80/4; black plate

- The SP4-RMX will provide the capability of connecting up to (3) three Remote Microphone Stations (SPRM)
- When connected to the SP40S, two SP4-RMX units can be cascaded together to provide up to six remote microphones
- Can accept a line level input coupled with a contact closure for broadcasting of other information
- OSHA 1910.165, ADA and UFC compliant

**Enclosure:**

Dimensions: 13”H x 7.6”W x 2.15”D  
 Color: Black  
 Wall mountable

**Approvals:** UL

Model Number	Order Code	Description
SP4-RMX	9919	Remote Microphone Expansion Module

- Supervised hand-held push-to-talk microphone
- Key required to enable remote microphone use
- Wiring terminals for quick connect/disconnect accepting 12–22 AWG
- Individual front panel LED indication for System Normal, System Trouble and Alarm
- Remote microphone usage disengages background music and general paging
- 6-Wire connection to the SP40S or SP4-RMX
- Mounting plate is red and measures 8-3/4” x 5-1/4”, fits into a 4-gang back box
- All output circuitry is Power Limited

**Input current:** Standby: 23mA, Alarm: 30mA

**Approvals:** UL, CSFM

## Speaker Audio Splitter



## SAFEPATH Speaker Audio Splitter

### Available features and options:

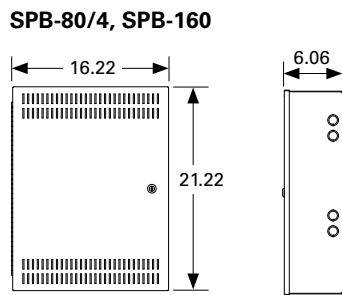
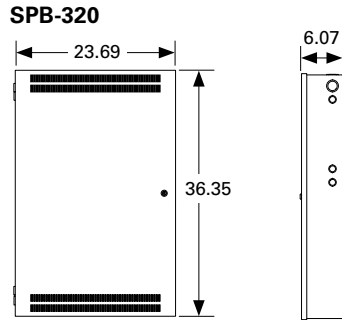
- Supervised 2-Zone Class A or 4-Zone Class B Speaker Audio Splitter for the SP40S or Audio Booster
- Enables a single supervised speaker audio output to drive up to two Class A supervised speaker audio outputs or four Class B supervised speaker audio outputs
- 2 Class A or 4 Class B
- Removable wiring terminals for quick connect/disconnect accepting 12–22 AWG
- LEDs Power and Trouble LEDs, Individual zone short and open LED indication
- Space provided to allow for naming of the zones
- Standby and Alarm current at 24VDC: 15mA

**Approvals:** UL, CSFM, MEA

Model Number	Order Code	Description
SP4Z-A/B	9900	Supervised 2-Zone Class A or 4-Zone Class B Speaker Audio Splitter for the SP40S or Audio Boosters
SPMB4Z	9907	Mounting Bracket for the SP4Z-A/B is required when used with the Audio Boosters

**Note:** The Speaker Splitter-Mounting Bracket (SPMB4Z) is required when the Speaker Splitter is used in Audio Boosters. The SPMB4Z can support two splitters.

Audio Boosters



**SAFEPATH SPB Audio Boosters**

**Available features and options:**

- Designed to provide for additional supervised audio power for live voice, pre-recorded messages or background music (BGM)
- Fully supervised patent pending circuitry is always in effect
- The SPB-320, SPB-160 and the SPB-80/4 easily connects to the Wheelock SP40S
- Multiple SPB-320, SPB-160 and SPB-80/4 Audio Boosters can be interconnected to accommodate large installations

**Approvals:** UL Standard 864, 9th edition, and California State Fire Marshal (CSFM), New York City (MEA)

**Compliance:** OSHA 1910.165, ADA, UFC

**Input from SP40S:** 70V or 25V

**Input from SP4-RMX:** 1 Volt input from

80 watt Speaker output circuits (SPB-320 has four, SPB-160 has two and the SPB-80/4 has one and two 2-amp strobe circuits)

Audio Speaker Outputs: 70V or 25V

Model Number	Order Code	Description
SPB-320	9918	320 Watt Supervised (four 80 watt circuits)
SPB-320E	6336	320 Watt Supervised (four 80 watt circuits), 220 VAC input
SPB-320E-B	6353	320 Watt Supervised (four 80 watt circuits), 220 VAC input, black enclosure
SPB-160	8989	160 Watt Supervised (two 80 watt circuits), red enclosure
SPB-160-B	9930	160 Watt Supervised (two 80 watt circuits), black enclosure
SPB-160E	6149	160 Watt Supervised (two 80 watt circuits), 220 VAC input
SPB-160E-B	6150	160 Watt Supervised (two 80 watt circuits), 220 VAC input, black enclosure
SPB-80/4	8988	80 Watt Supervised with 4 Amps of Supervised and Synchronized Strobe Power (two 2 Amp circuits), red enclosure
SPB-80/4-B	9931	80 Watt Supervised with 4 Amps of Supervised and Synchronized Strobe Power (two 2 Amp circuits), black enclosure
SPB-80/4E	6147	80 Watt Supervised with 4 Amps of Supervised and Synchronized Strobe Power (two 2 Amp circuits), 220 VAC input
SPB-80/4E-B	6148	80 Watt Supervised with 4 Amps of Supervised and Synchronized Strobe Power (two 2 Amp circuits), 220 VAC input, black enclosure

**Technical Specifications**

120VAC, 3.8A, 60 Hz input	
SP40SE Models 240 VAC, 2.5A, 50-60 Hz	
Standby current draw	120mA, per amplifier board
Alarm current draw	9 Amps, per amplifier board
SPB-80/4 and SPB-160 have one amplifier board	
SPB-320 has two amplifier boards	
System Frequency Response	Voice: 400 Hz–6.5 kHz BGM: 275 Hz–15 kHz
Removable quick connect/disconnect terminals, accept 12–22 AWG	
Multiple LED's for easy indication of system diagnostic conditions	
Signal to Noise Ratio	> 70 dB
Dynamic Range	> 65 dB
Total Harmonic Distortion	2%

---

**Paging Splitter**
**SAFEPATH Paging Splitter****Available features and options:**

- Addressable speaker zone splitter
- Mounts inside the SP40S, SPB-80/4, SPB-160 or SPB-320
- Operates on 24 VDC, supplied by the SP40S, SPB-80/4, SPB-160, SPB-320
- Handles 40 watts of supervised audio per zone
- UL Standard 864, 9th edition listed

<b>Model Number</b>	<b>Order Code</b>	<b>Description</b>
SP4Z-APS	9920	Addressable Paging Splitter

**Note:** Reference pages 49-58 for additional mounting information.

**Telephone Zone Controller**



**SAFEPATH Telephone Zone Controller**

**Available features and options:**

- Designed for the ability to access individual or multiple speaker zones throughout the SP40S System via telephone
- Custom user programmable
- All call or selected zone(s) telephone paging
- Background music (BGM) zone(s) selectable
- Telephone input and background music (BGM) input

Model Number	Order Code	Description
SP4-TZC	9923	SP4-TZC Programming Cable

The combination of 1 SP4-TZC (controller) and up to 17 SP4-APS (splitters) can provide:

**Class B**

4 zones per splitter
Up to 68 individual zones (17 splitters)
17 fixed zones (groups of 4)
9 logical zones

**Class A**

2 zones per splitter
Up to 34 individual zones (17 splitters)
17 fixed zones (groups of 2)
9 logical zones

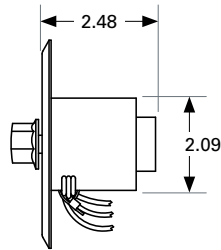
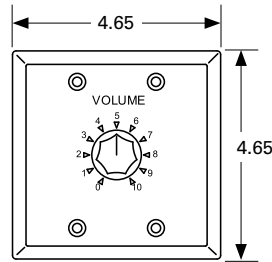
**Enclosure:**

Dimensions: 13"H x 7.6"W x 2.15"D
Color: Black
Wall mountable
Requires 24 VDC, model RPS-2406
Allows selections of speaker zones via a telephone keypad (DTMF tones)
One SP4-TZC (controller) can control up to 17 SP4-APS (splitters)
Telephone page input connects to stand alone telephone, unused CO port, page port
USB connection for logical zone grouping and BGM programming (supports Windows 2000 and Windows XP)
Up to 9 logical zones, (a logical zone is a user selected group of up to 5 zones, individual or fixed)
RS-485 digital control to the SP4-APS speaker splitters
Connects to the SP40S via the BGM input

**RPS-2406**

- 24 VDC, 600 mA, wall mounted with 6 ft. AC power cord
- Current limited, short circuit and overload protected with auto shutdown and reset

**Volume Control**



**SAFEPATH Volume Control**

**Available features and options:**

- Allows manual volume setting for telephone paging and background music for a specific speaker or speaker zone
- Supervised volume control for use with UL Listed Life Safety Applications
- Operates in Class B or Class A wiring (for Class A, the SP4-APS is required)
- Mounts to a double gang, 3-1/2" deep back box or 4" square and 1-1/2" deep box with a 1-1/2" extension ring and a double gang mud ring
- Stainless steel mounting plate with a black knob

**Approvals:** UL Standard 864 and California State Fire Marshal (CSFM) listed for use with the SP40S or SPB Audio Boosters

**Compliance:** OSHA 1910.165, ADA

Model Number	Order Code	Description
SP-SVC	9926	Supervised Volume Control for use with the SAFEPATH® system

Audio Power Input	Can handle up to 35 watts of 70.7 volt audio power input
Adjustment Settings	0–10, in 3dB increments
Wiring	Operates in Class B or Class A wiring (for Class A, the SP4-APS is required)
Back Box	Requires a double gang, 3-1/2" deep back box or 4" square and 1-1/2" deep box with a 1-1/2" extension ring
Maximum RMS Current	10.0mA

**Operating Console**



**Series SAFEPATH Local Operating Console**

**Available features and options:**

- Designed for indoor use with the SAFEPATH panels for mass notification applications
- Contains SAFEPATH SPRM Remote Microphone and black push-on/push-off buttons.
- All message wiring is pre-wired to a terminal block
- Internal terminal block accepts up to 16 AWG wiring for field wiring
- All output circuitry is power limited
- SP4-LOC is available in flush and surface models
- Optional HVAC Emergency Shutoff mushroom push button kit
- Can be mounted up to 2,000 feet away from SAFEPATH panel
- Remote microphone usage disengages background music and general paging

<b>Model Number</b>	<b>Order Code</b>	<b>Description</b>
SP4-LOC-SB	4120	Surface Mount Local Operator Console
SP4-LOC-FB	4121	Flush Mount Local Operator Console
SP4-LOC-KIT	4122	HVAC Emergency Shutoff Switch Kit*

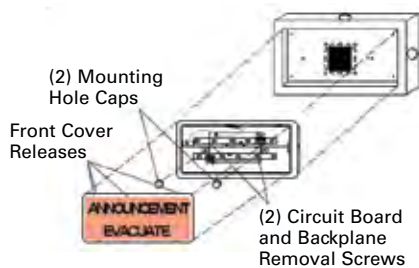
\*Currently not UL Listed



**Message Display**



**Dimensions:**  
8" H x 14-1/2" W" x 2" D



**LEMD Message Display**

**Available features and options:**

- Illuminated text sign designed for mass notification systems, where a text sign is required over the door of egress stairwells or other locations.
- Two messages can be activated; Announcement or Evacuate
- Messages can be activated independently
- Message can be either steady on or flashing, set independently
- Compatible with reverse polarity supervision circuits
- Accepts #14 to #22 AWG wires
- Component Recognized to standard UL 48.

Model Number	Order Code	Description
LEMD-M	6334	LED Emergency Message Display

Voltage:	24 VDC
Current draw:	70 mA per circuit

**Push Buttons**



**Dimensions:**  
5" H x 3-1/4" W" x 1-1/2" D

**NPS Push Buttons Available**

**features and options:**

- For manual activation of SAFEPATH® Voice Evacuation Systems prerecorded messages
- Custom wording available
- Polycarbonate faceplate
- Stainless steel backplate
- ADA Compliant
- Mounts to single gang electrical box
- Interchangeable or replaceable Normally Open (NO) and Normally Closed (NC) Single Pole, Single Throw gold plated contact blocks rated for 3 amps @ 600 VAC or 1 amp @ 250 VDC
- Can be reset by depressing the "Push" button, and turning clockwise a 1/4 turn
- Comes with one (NO) contact and one (NC) contact

**Available Colors:** Red, Green, Yellow, White or Blue

Model Number	Order Code	Color	Description
NPS-R	9767	Red	
NPS-G	9768	Green	
NPS-Y	9769	Yellow	Push Station for manual message activation
NPS-W	9770	White	
NPS-B	9771	Blue	
NPS-NO	0523		Push Station Normally Open Contact
NPS-NC	0524		Push Station Normally Closed Contact

**Wording Matrix**

Wording	Model Suffix	Wording	Model Suffix
Land Attack	-001	Strobe	-024
Sea Attack	-002	Alert	-025
Colors	-003	Emergencia	-026
Low Threat	-004	Alarm Yellow	-027
Medium Threat	-005	Delta	-028
High Threat	-006	Alarm Red	-029
Small Craft	-007	Withdrawal	-030
Unknown Object	-008	Emergency	-031
Code Bravo	-009	Audio Test	-032
Low	-010	All Clear	-033
Medium	-011	Fire Test	-034
High	-012	Evac Drill	-035
Water Attack	-013	Weather	-036
Chemical Spill	-014	Chem-Bio	-037
Gas Release	-015	Suspicious	-038
Evacuation	-016	Fire	-039
Help	-017	All	-040
Assistance	-018	Bomb	-041
Severe Weather	-019	Test	-042
Tornado	-020	Area	-043
Medical Alert	-021	Bomb Threat	-044
Power Shut Down	-022	Terrorist Threat	-045
Blank / No Wording	-023	Toxic Chemical	-046
		Disaster	-047

Wording Matrix for the top of the Push Station

Any "wording suffix" can be printed on any color push station.

**Note:** Custom wording is available, please contact customer service.

Examples:

- 9767-003 NPS-R-003 Red Push Station, Colors
- 9771-010 NPS-B-010 Blue Push Station, Low



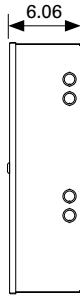
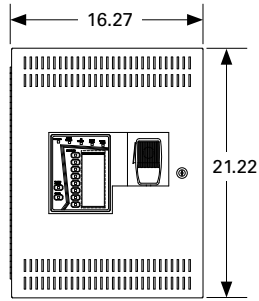
## SAFEPATH In-Building Mass Notification System

Delivering critical alerts when it matters most, Eaton's In-Building Mass Notification Systems provide personnel and building occupants with clear, concise and intelligible voice messages that communicate how people should respond during a variety of emergency situations.

Compliant with the Mass Notification System (MNS) codes and standards, UL 2572 and NFPA 72, Eaton's SAFEPATH MNS integrates with a facility's addressable fire alarm system (FAS) for a complete In-Building MNS solution that performs both fire alarm and emergency communications functions.

## SAFEPATH SPMNS In-Building Mass Notification System

### Multitone Horns and Horn Strobes



### Available features and options:

- Compliant with the latest Mass Notification System (MNS) codes and standards, UL 2572 and NFPA 72
- Interfaces with ANY addressable Fire Alarm System (FAS)
- Makes FAS UL 2572 for MNS Compliant
- Manages all audible and visual notification devices for both fire and MNS
- Features a modular and flexible design to meet functional requirements of Emergency Response Plans (ERP) and MNS codes

### Model Number

SPMNS

Voice Messages Live microphone override; 5 digitally pre-recorded MNS voice messages; 3 digitally pre-recorded fire voice messages; Flexible, field-programmable messaging capabilities

Power 24 VDC, 33AH Max rechargeable battery back-up power circuitry built-in

Speaker Outputs 25V or 70.7V power limited

Frequency Response Voice: 275 Hz–6.5 kHz; Meets UL Voice Evacuation Requirements of 800–2800 Hz

Finish Red exterior enclosure

Agency Approvals UL 2572 for MNS, UL Standard 864, 9th edition, UL Standard 1711

**Remote Microphone**



**Dimensions:**

8-3/4" x 5-1/4", fits into a 4-gang back box

**SAFEPATH SPMNS Remote Microphone**

**Available features and options:**

- Dedicated microphone for mass notification and emergency communications applications
- When used with the SAFEPATH MNS (SPMNS), the priority level of the SPMNS-MIC is 1, the SPMNS on-board fire microphone is a lower priority
- Approvals include: UL 2572 for MNS, UL Standard 864, 9th edition and California State Fire Marshal (CSFM), UFC 04-021-01 Compliant.
- Supervised hand held push to talk microphone
- Key required to enable microphone use
- Individual front panel LED indication for System Normal, System Trouble and Alarm

**Model Number**

SPMNS-MIC

Voice frequency response: 275 Hz - 6.5 kHz

Power 24VDC, supplied by the SPMNS or Audio Boosters

Input Current Standby: 23mA; Alarm: 30mA

Standby: 23mA; Alarm: 30mA 1.05V RMS

Mounting Plate Black and measures, 8-3/4" x 5-1/4", fits into a 4-gang back box

All Output Circuitry Power Limited

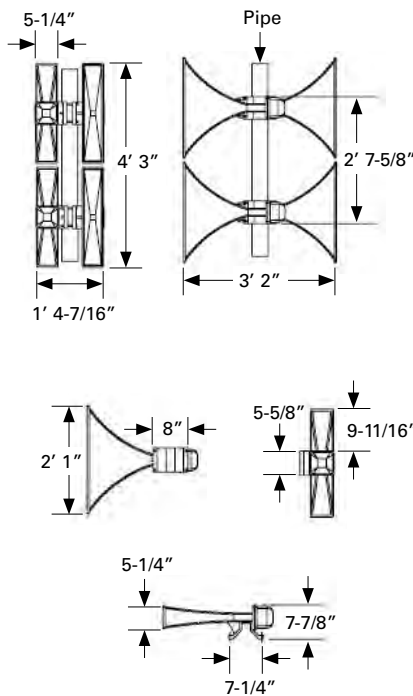
Approvals UL 2572 for MNS, UL Standard 864, 9th edition and California State Fire Marshal (CSFM)



## Wide-Area High-Power Speaker Arrays

Designed to meet Life Safety requirements, WAVES High-Power Speaker Arrays (HPSA-7100-R Series) provide crisp, intelligible voice, tone and siren warnings. The HPSA can be integrated with voice-capable FACPs, SAFEPATH, SAFEPATH MNS and other audio sources to expand emergency communications to large outdoor areas. Eaton provides additional integrated mass notification solutions to meet your organization's needs. For the complete line, visit [Eaton.com/massnotification](http://Eaton.com/massnotification).

**Speaker Arrays**



**Series HPSA High-Power Speaker Arrays**

**Available features and options:**

- Integrated with a facility's audio source (panel agnostic)
- Highly intelligible live voice and tone announcements
- Energy- and cost-efficient advanced amplification system enables lower current draw and increased battery life, requiring fewer speakers and significantly less power for a substantially larger range (see specifications)
- Continuous emergency operation regardless of primary power outage
- Omnidirectional and directional speaker coverage options
- Intelligent battery charger maintains batteries at optimal charge state and supervises the batteries for multiple fault conditions
- Six discrete (Form C) trouble signals include: No AC, No Battery, Low Battery, Door Open (tamper), Amplifier Fault, Driver Fault
- Multiple HPSAs can be controlled by one source

Model Number	Number of Horns	Watts	dB (C) @ 100' (30 m) ① 180°	Effective Range ①: 180° Radius @ 70dB (C)	dB (C) @ 100' (30 m) ① 360°	Effective Range ①: 360° Radius @ 70dB (C)	Height	Horn & Driver Kit Weight
HPSA-7102-R	2	200	110	1600' (480 m)	105	1200' (366 m)	25" (63.5 cm)	52 lbs (23.6 kg)
HPSA-7104-R	4	400	115	2400' (732 m)	110	1600' (480 m)	51" (129.5 cm)	104 lbs (47.2 kg)
HPSA-7106-R	6	600	119	3040' (927 m)	114	2240' (683 m)	77" (195.6 cm)	156 lbs (70.8 kg)
HPSA-7108-R	8	800	123	4160' (1268 m)	118	2880' (878 m)	103" (261.6 cm)	208 lbs (94.4 kg)

**Accessories:**

- Pedestal/Stand Kit: M37-00056
- Mounting options include HRNMT-100 and HRNMT-250
- Optional microphone for set-up and testing: HPSA-MIC
- 500 ft speaker wire kit: CAB-SPKR-KIT
- HPSA-7100-V-KIT: Required for all 100V and 70V applications

① Field testing was performed in accordance with ANSI/ASA S12.14-1992, reaffirmed September 11, 2007. Actual SPL performance will depend on parameters such as site design, topography, climate and foliage.

## High-Power Speaker Arrays

Designed to meet the most stringent Life Safety requirements, Eaton's HPSA-7100-R Series provides highly intelligible voice and tone announcements for Wide-Area Mass Notification. The HPSA-7100-R Series can be integrated with voice-capable Fire Alarm Control Panels (FACP) and SAFEPATH Systems.

### External Interface

NAC input	PTT Activation. 9–40 VDC, 17 mA Max.
Dry contact input	PTT Activation (alternative to NAC Input). 250ms < 1 K Ohms.
Audio input	100 $V_{RMS}$ , 70.7 $V_{RMS}$ , 25 $V_{RMS}$ or 1 $V_{RMS}$ selectable (100 $V_{RMS}$ and 70.7 $V_{RMS}$ require model HPSA-7100-V-KIT, which is sold separately)
Trouble outputs	Form C, dry contact. 2 Amps., 30VDC (resistive). Max. Trouble Signals (6) provided: AC, No Battery, Low Battery, Tamper, Amplifier Fault and Driver Fault.

### General Specifications

Electronic cabinet dimensions	36" W x 48" H (60" with pedestals) x 12" D/91.4 x 121.9 (152.4 with pedestals) x 30.5 cm
Electronic cabinet weight	110 lbs (not including batteries)/49.9 kg; Total weight with batteries: 322 lbs/146 kg
Horn dimensions	3' 2" W x 2' 1" H x 1' 4 7/16" D/96.52 cm x 63.5 cm x 41.91 cm (2 horns with drivers, omni-directional)
Horn weight	52 lbs for each horn and driver kit (pair)/23.6 kg
Horn material	Special aluminum alloy horn construction provides long service life without material fatigue
Battery weight	53 lbs each/24 kg
Speaker mounting/pipe pole <sup>①</sup>	Minimum 4.5" (11 cm) outside diameter (OD); Maximum 6" OD (15.25 cm)
Ground mount pedestal kit <sup>①</sup>	Model M37-00056 raises the cabinet 12" (30.5 cm) from the ground
Speaker cable kit <sup>①</sup>	Model CAB-SPKR-KIT, 500 ft (152 m) long; 16 AWG stranded, non-shielded, marine-rated
Speaker wire <sup>①</sup>	12–16 AWG stranded two-conductor jacketed cable. Non-shielded either twisted or non-twisted. UL/CSA/EU: approved for outdoor use
Wire size ratings	Speaker Lines: 12–16 AWG (limited to 14 AWG for connectors) AMB Lines: 12–22 AWG AC Mains: 10–16 AWG

### Power (Including Standby)

Input voltage	120 to 240 VAC; 50 to 60 Hz Single-phase (Universal AC/Auto-switching)
Input current	3 Amps
Battery input voltage	40.8–55.4 VDC 48 Volts (nominal)
Operating voltage	~48 VDC
Standby time	72 hrs followed by 60 min continuous voice
Continuous signaling time	60 minutes (voice)
Battery charger	Universal AC Supply, 4 Amp maximum
Batteries	Four (4) deep cycle discharge AGM, SLA batteries. 65 AH each, connected in series

### Amplifiers

Amplifier	Class D
Frequency response	300 Hz to 6 kHz
Total harmonic distortion	0.1% THD+N Capable; 10% THD+N Max to achieve specified SPL levels
Efficiency	Greater than 90% at full load
Thermal protection	Yes
Short circuit protection	Yes, Auto Recovery
Driver impedance	11 Ohm (Typical)

### Environment

Operating temperature	–40° F to 140° F (–40° C to +60° C)
Electronic cabinet rating	NEMA 4X, IP66, UL508 cabinet
Transient protection	Built-in lightning protection on mains, external interfaces, and speaker lines

<sup>①</sup> Not included with the HPSA-7100-R series.





## Index

S8-70/25 .....	40	STW-NG .....	25
SA-H5-B .....	92	UTA-1 .....	89
SA-H15-B .....	92	UTA-WH-VPS .....	89
SHMP-R .....	41	VC-35 .....	93
SM87HXBAUL024CN4L4RNRR .....	63	WBB-R .....	31
SM87HXBAUL024CN4R4LNRR .....	63	WBB-W .....	31
SM87HXBAUL024RN4R4LNRR .....	63	WFPA-R .....	31
SM87PBLAUL3T3B3NN .....	76	WFPA-W .....	31
SP4-LOC-FB .....	104	WFP-R .....	31
SP4-LOC-KIT .....	104	WFP-W .....	33
SP4-LOC-SB .....	104	WPBB-R .....	31
SP4-RMX .....	98	WPBB-W .....	31
SP4-TZC .....	102	WP-KIT .....	31
SP4Z-A/B .....	99	WPSBB-R .....	31
SP4Z-APS .....	101	WPSBB-W .....	31
SP40S .....	97	XB4ULB8D2E3E06ANCN1R .....	62, 68
SP40S-B .....	97	XB4ULB8D2E3E06ANRN1R .....	62, 68
SP40S-D .....	97	XB11UL02406CNBNNNR .....	64
SP40S-D-B .....	97	XB11UL02406RNBNNNN .....	64
SPB-80/4 .....	100	XB11UL02406RNBNNNR .....	64
SPB-80/4-B .....	100	XB11UL11006ANBNNNR .....	64
SPB-80/4E .....	100	XB11UL11006RNBNNNR .....	64
SPB-80/4E-B .....	100	XB12UL02406CNBNNNR .....	67
SPB-160 .....	100	XB15UL0241506CVBNNR .....	66
SPB-160-B .....	100	XB15UL0241506RWBNN .....	66
SPB-160E .....	100	XB15UL0241506RWPNN .....	66
SPB-160E-B .....	100	XB16UL02460RYNNZ .....	65
SPB-320 .....	100	XB16US02460CYNRZ .....	65
SPB-320E .....	100		
SPB-320E-B .....	100		
SP-COA .....	97		
SPMB4Z .....	99		
SPMNS .....	108		
SPMNS-MIC .....	109		
SPRM .....	98		
SPRM-GP .....	98		
SP-SVC .....	103		
ST-C8 .....	91		
ST-C8M .....	91		
ST-C8MV .....	91		
ST-C8V .....	91		
STH-2G .....	42		
STH-2MS-R .....	42		
STH-2R .....	42		
STH-2R24MCCH-FR .....	43		
STH-2R24MCCH-NR .....	43		
STH-3MS-R .....	42		
STH-3R .....	42		
STH-3R24MCCH-FR .....	43		
STH-3R24MCCH-FW .....	43		
STH-3R24MCCH-NR .....	43		
STH-3R24MCCH-NW .....	43		
STH-4MS-R .....	42		
STH-4R .....	42		
STH-4R24MCCH-FR .....	43		
STH-4R24MCCH-FW .....	43		
STH-4R24MCCH-NR .....	43		
STH-4R24MCCH-NW .....	43		
STH-15-B .....	91		
STH-15S .....	41		
STH-15SR .....	41		
STH-30 .....	91		
STH-90-R24MCCH-FR .....	43		
STH-90-R24MCCH-NR .....	43		
STR .....	22, 59		
STR-ALA .....	25		
STRC .....	22, 59		
STRC-AB .....	25		
STRC-ALA .....	25		
STRC-NA .....	25		
STRC-NB .....	25		
STRC-NG .....	25		
STRC-NR .....	25		
STR-NA .....	25		
STR-NG .....	25		
STW .....	22, 59		
STW-ALA .....	25		
STWC .....	22, 59		
STWC-AB .....	25		
STWC-ALA .....	25		
STWC-ALB .....	25		
STWC-NA .....	25		
STWC-NB .....	25		
STWC-NG .....	25		
STWC-NR .....	25		
STW-NA .....	25		



**Eaton**  
1000 Eaton Boulevard  
Cleveland, OH 44122  
United States  
Eaton.com

**Eaton**  
Life safety & mass notification solutions  
273 Branchport Ave.  
Long Branch, NJ 07740  
Eaton.com/Lifesafetynotification

© 2020 Eaton  
All Rights Reserved  
Printed in USA  
Publication No. CA450001EN  
August 2020

Eaton is a registered trademark.  
All other trademarks are property  
of their respective owners.