

# SHD-1198FW

In-ceiling Housing



FC |  | CE | ENEC

## Key Features

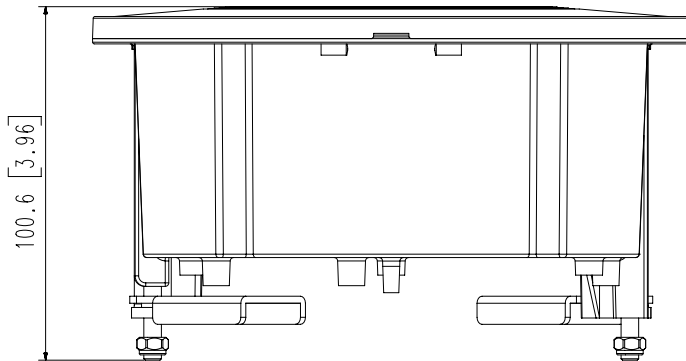
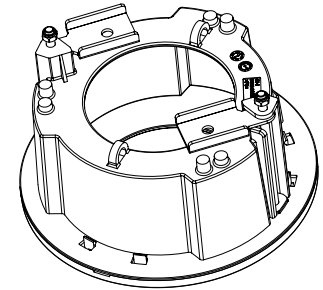
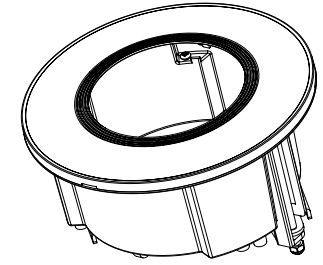
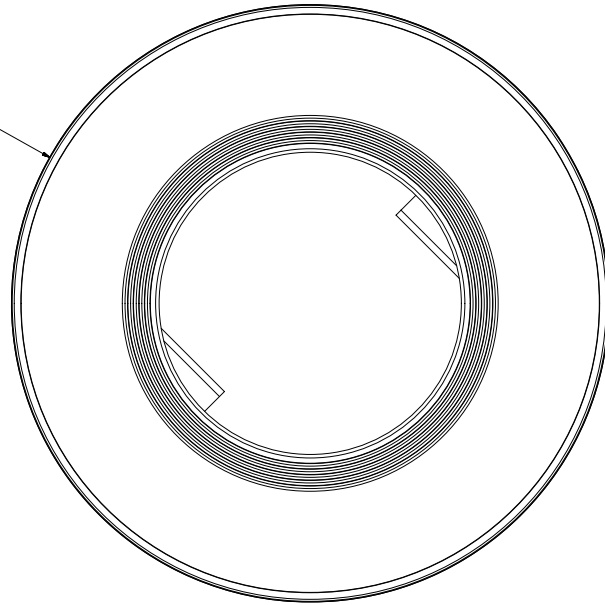
- Poly carbonate
- Dimensions : Ø170 X 100.6(H)
- Weight : 320g
- Color: White

**Mechanical**

<b>Color</b>	White
<b>Material</b>	Plastic
<b>RAL code</b>	RAL9003
<b>Product dimensions / weight</b>	Ø170 X 100.6(H)mm(6.72x3.96"), 320g(0.71 lb)
<b>Supported products</b>	QND-8080R/7080R/6082R/6072R, LND-6072R, HCD-7080R/7070RA/6080R/6070R, SCD-6085R ※ For further compatible models, please visit our website or use Toolbox

- The latest product information / specification can be found at [hanwha-security.com](http://hanwha-security.com)
- Design and specifications are subject to change without notice.
- Wisenet is the proprietary brand of Hanwha Techwin, formerly known as Samsung Techwin.

∅ 170 [6.69]



A2

© Hanwha Techwin Co.,Ltd. All rights reserved.

3		
2		
1	SHD-1198FW	'19.11.12
No.	MODEL NAME	DATE
Unit:mm[inch]		SCALE:1/1