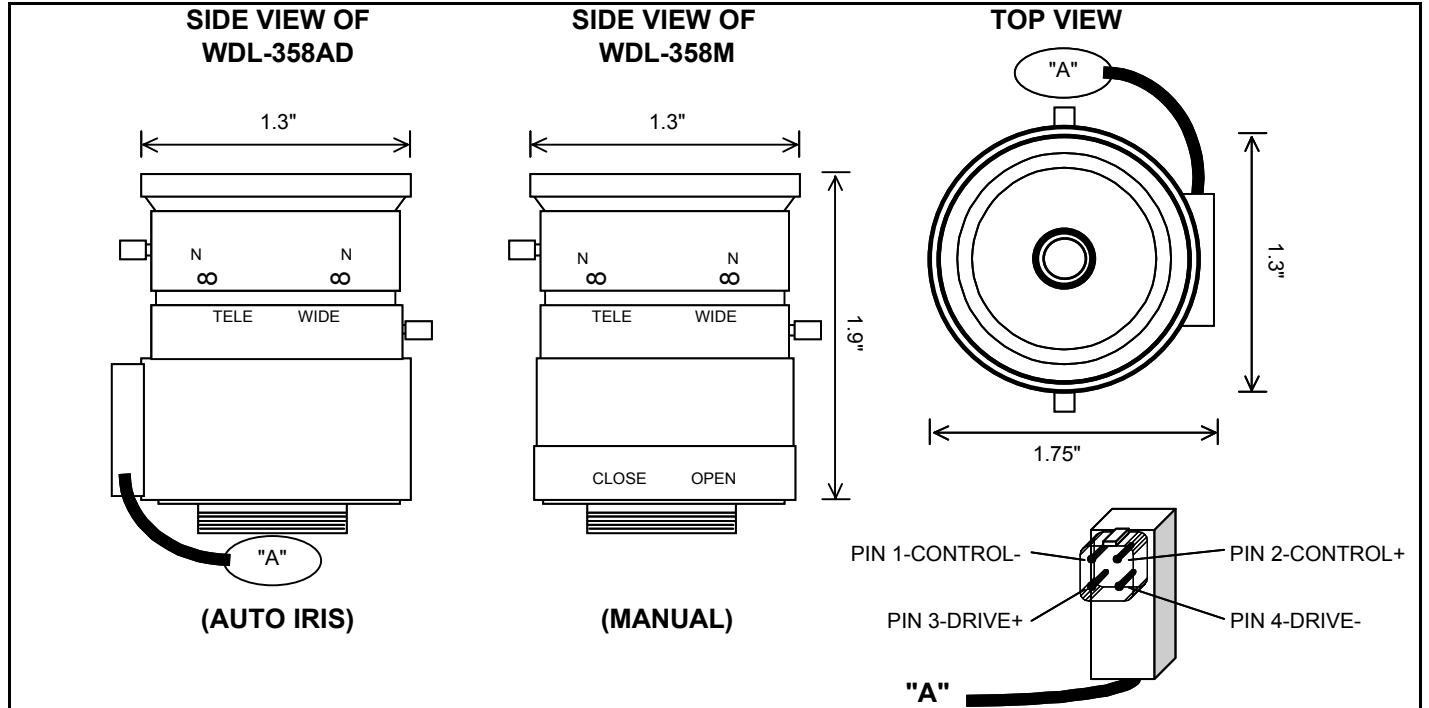


MODEL NO. WDL-358AD / WDL-358M



FEATURES

- METAL LENS HOUSING AND STAINLESS STEEL THREAD - NO PLASTIC HOUSING PARTS
- 10 LAYERS OF OPTICS TO CREATE A SHARPER PICTURE THAN A STANDARD 8 LAYER LENS
- F - STOP OF 1.4 FOR MAXIMUM LOW LIGHT CAPABILITY
- SET SCREWS FOR ANGLE OF VIEW AND FOCUS ADJUSTMENTS - THIS LENS WILL NEVER DRIFT!
- 3.5mm TO 8.0mm ANGLE OF VIEW FOR THE WIDEST RANGE OF APPLICATIONS

SPECIFICATIONS

MODEL NO.	WDL-358M	WDL-358AD
FOCAL LENGTH	3.5mm TO 8.0mm	3.5mm TO 8.0mm
FLANGE BACK	12.5mm	12.5mm
BACK FOCAL LENGTH	8.3mm	8.3mm
MOUNT	CS - MOUNT	CS - MOUNT
IMAGE FORMAT SIZE	1/3" FORMAT	1/3" FORMAT
MAX APERTURE RATE	1.4	1.4
OPERATION: IRIS	MANUAL IRIS F 1.4 ~ 360	AUTO IRIS F 1.4 ~ 360
FOCUS	MANUAL 0.2m ~ Inf	MANUAL 0.2m ~ Inf
ZOOM	MANUAL 3.5 ~ 8.0mm	MANUAL 3.5 ~ 8.0mm
ANGLE OF VIEW: DIAG.	88.7 Deg. - 44.8 Deg.	88.7 Deg. - 44.8 Deg.
HORZ.	73.4 Deg. - 35.8 Deg.	73.4 Deg. - 35.8 Deg.
VERT.	55.9 Deg. - 26.8 Deg.	55.9 Deg. - 26.8 Deg.
POWER REQUIREMENT		DC 8 ~ 16 VOLT
POWER CONSUMPTION		40mA
TRANSIT TIME		APPROX. 3 SEC.
IRIS ACCURACY		+/- 15%
COIL: DRIVE		232 ohm
CONTROL		730 ohm
OPERATING TEMP.		14 Deg. F TO 122 Deg. F
FILTER SIZE	M 37.5 X P 0.5mm	M 37.5 X P 0.5mm
DIMENSIONS	1.3" (DIA) x 1.9" (L)	1.3" (DIA) x 1.75" (W) x 1.9" (L)