

Installation Guide

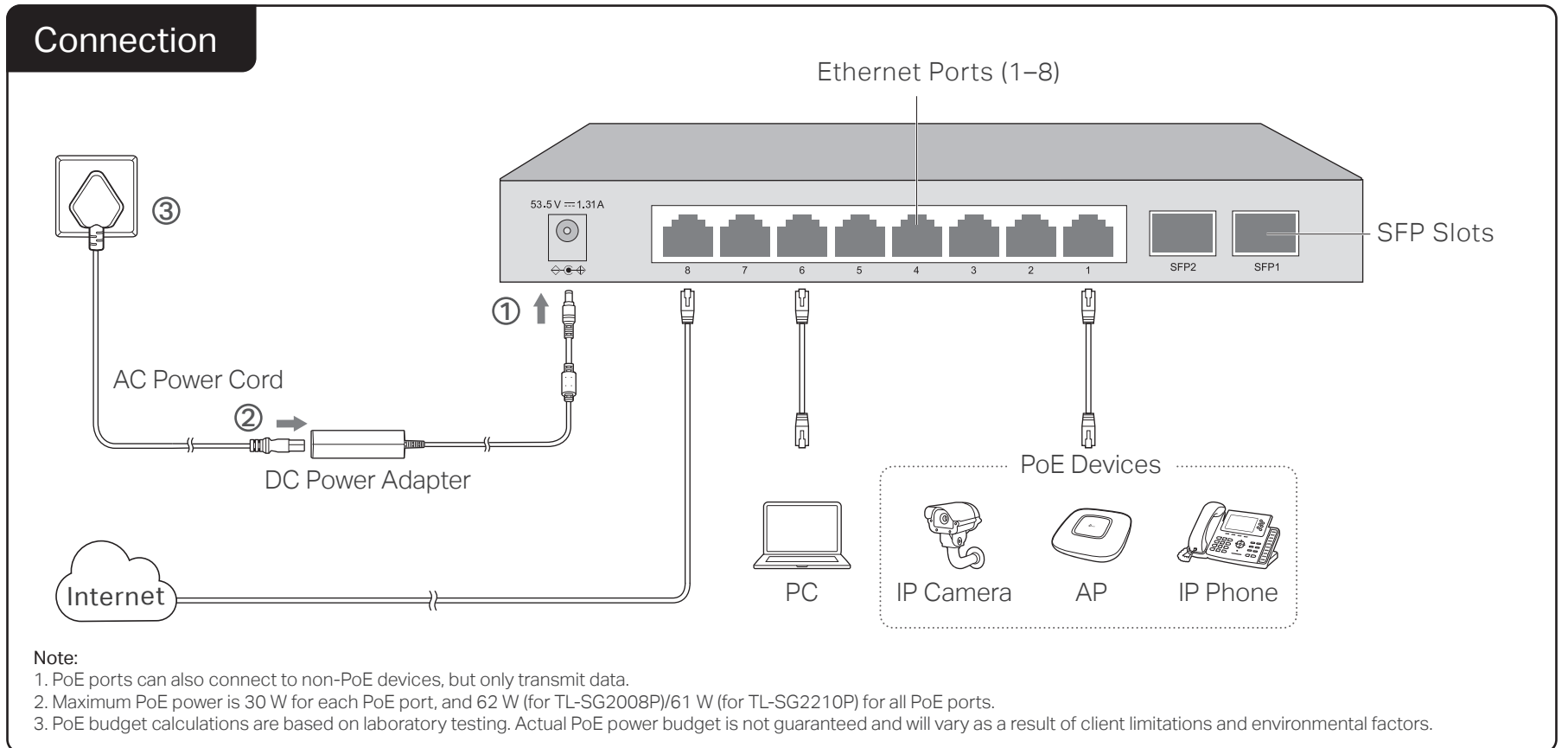
JetStream Gigabit Smart PoE+ Switch

LED Explanation

Power	PoE Status
<ul style="list-style-type: none"> On: Power on Off: Power off 	<ul style="list-style-type: none"> On: Providing PoE power Flashing: Current-overload/Short-circuit/Connected to a non-standard PD/Power exceeded the user-defined value Off: Not providing PoE Power
System	PoE MAX
<ul style="list-style-type: none"> Flashing: System running normally On/Off: System running abnormally 	<ul style="list-style-type: none"> For TL-SG2008P On: $55\text{ W} \leq \text{Total power supply} < 62\text{ W}$ Flashing: Total power supply keeps $\geq 55\text{ W}$ more than 2 minutes Off: Total power supply $< 55\text{ W}$
Link/Act (port 1–8)	PoE MAX
<ul style="list-style-type: none"> On (Green): Running at 1000 Mbps On (Yellow): Running at 10/100 Mbps Flashing: Transmitting/receiving data Off: No connected device 	<ul style="list-style-type: none"> For TL-SG2210P On: $54\text{ W} \leq \text{Total power supply} < 61\text{ W}$ Flashing: Total power supply keeps $\geq 54\text{ W}$ more than 2 minutes Off: Total power supply $< 54\text{ W}$
SPF1/SFP2 (for TL-SG2210P)	
<ul style="list-style-type: none"> On (Green): Running at 1000 Mbps On (Yellow): Running at 100 Mbps Flashing: Transmitting/receiving data Off: No connected device 	

For simplicity, we will take TL-SG2210P for example throughout the Guide.

Connection



Configuration

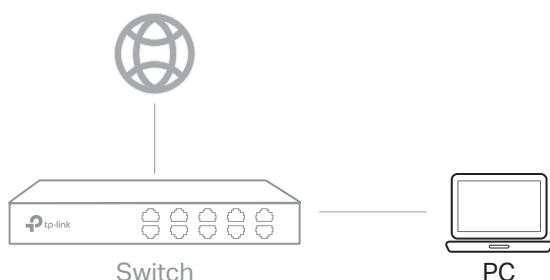
The switch supports two configuration options:

- Standalone Mode: Configure and manage the switch singly.
- Controller Mode: Configure and manage the network devices centrally. It is recommended in the large-scale network, which consists of mass devices such as access points, switches, and gateways.

Note: When the switch is changed from Standalone Mode to Controller Mode, configurations of the switch will be lost. For details, refer to the related documents on the download center of our official website: <https://www.tp-link.com/support/download/>.

Option 1: Standalone Mode

In Standalone Mode, use a computer to configure and manage the switch.



- To access the management page of the switch, open a browser and type the switch's IP address in the address field, then press the **Enter** key.
 - If the switch obtains IP address from the DHCP server (typically a router), find the switch's IP address on the DHCP server.
 - If not, use the default IP address **192.168.0.1** to launch the switch's management page.

Note: Make sure the switch and computer are in the same subnet.

- Enter **admin** for both the username and password in the lower case letters to log in. The first time you log in, change the password to better protect your network and devices.
- After a successful login, the main page will appear. You can click the menus on the top side and left side to configure the corresponding functions.

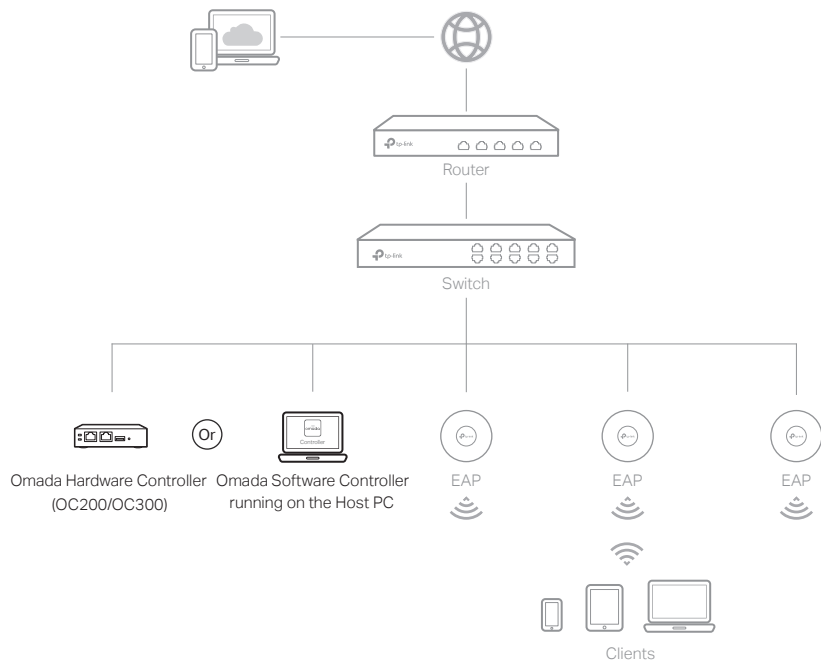
For the detailed configurations, refer to the User Guide and CLI Guide. The guides can be found on the download center of our official website: <https://www.tp-link.com/support/download/>.

Option 2: Controller Mode

Controller Mode applies to the large scale network with mass devices. All devices can be centrally configured and monitored via Omada Software Controller, Omada Hardware Controller or Omada Cloud-Based Controller.

Note: Before the following configurations, make sure the switch can access the internet. When using Omada Software/Hardware Controller, make sure the switch and the controller are in the same subnet. Typically, the switch obtains IP address from the DHCP server, and you can check the switch's IP address on the DHCP server.

Topology 1: Via Omada Software/Hardware Controller



Via Omada Software Controller

1. On the PC with Windows OS or Linux OS, download the Omada Software Controller installation file from <https://www.tp-link.com/support/download/omada-software-controller/>.
2. Run the file and follow the wizard to install the Omada Software Controller.
3. Launch the Omada Software Controller and follow the step-by-step instructions to complete the Quick Setup. After the wizard is finished, a login screen will appear.
4. Enter the username and password you created and click **Log in**. Then you can further configure the controller.

* Omada Cloud Service

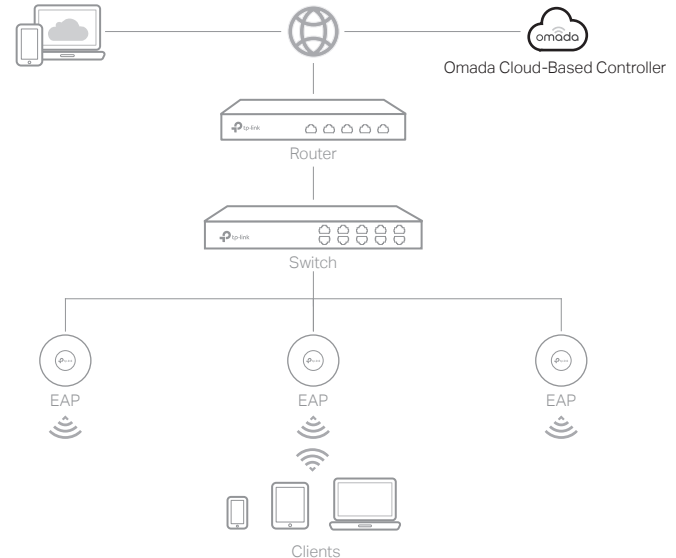
After installing Omada Software Controller, you can remotely access and configure the controller through Omada Cloud Service. Follow the steps below.

1. Enable **Cloud Access** on the setting page on the controller and bind a TP-Link ID to your controller. If you have configured this in the setup wizard, skip the step.
2. Launch a web browser and enter <https://omada.tp-linkcloud.com> in the address bar.
3. Enter your TP-Link ID and password to log in. A list of controllers that have been bound with your TP-Link ID will appear. Then you can click **Launch** to further configure the controller.

Via Omada Hardware Controller (OC200/OC300)

Omada Hardware Controller (OC200/OC300), which is pre-installed with Omada Software Controller, is a good alternative if you have no spare PC to keep running Omada Software Controller in the network. It needs to be purchased additionally. For more details, refer to the Installation Guide of Omada Hardware Controller.

Topology 2: Via Omada Cloud-Based Controller



Via Omada Cloud-Based Controller

Before managing the switch via Omada Cloud-Based Controller, make sure the devices can access the internet.

1. Launch a web browser and enter <https://omada.tp-linkcloud.com> in the address bar. Enter your TP-Link ID and password to log in.
2. Click **Add Controller** and subscribe to Omada Cloud-Based Controller. Follow the instructions to choose a plan and complete the payment. Then wait until your controller is deployed.
3. The controller will appear in the list once bound with your TP-Link ID. Click **Launch** and follow the step-by-step instructions to complete the Quick Setup. After the wizard is finished, log in via the created username and password.
4. Click **Devices** on the side bar and then click **Add Devices**. Then you can add devices to the controller manually through the serial numbers at the bottom of the product.

* Omada App

With the Omada app, you can also manage your controller at a local site or a remote site via your mobile device.



For the detailed configurations, refer to the User Guide of the controller. The guide can be found on the download center of our official website: <https://www.tp-link.com/support/download/>.

To ask questions, find answers, and communicate with TP-Link users or engineers, please visit <https://community.tp-link.com> to join TP-Link Community.

For technical support and other information, please visit <https://www.tp-link.com/support>, or simply scan the QR code.

If you have any suggestions or needs on the product guides, welcome to email techwriter@tp-link.com.cn.



EU Declaration of Conformity

TP-Link hereby declares that the device is in compliance with the essential requirements and other relevant provisions of directives 2014/30/EU, 2014/35/EU, 2009/125/EC, 2011/65/EU and (EU)2015/863.

The original EU declaration of conformity may be found at <https://www.tp-link.com/en/ce>.



Safety Information

- Keep the device away from water, fire, humidity or hot environments.
- Do not attempt to disassemble, repair, or modify the device. If you need service, please contact us.
- Do not use damaged charger or USB cable to charge the device.
- Do not use any other chargers than those recommended.
- Adapter shall be installed near the equipment and shall be easily accessible.
- Place the device with its bottom surface downward.
- The plug on the power supply cord is used as the disconnect device, the socket-outlet shall be easily accessible.