

Access & Power Integration

Altronix/Software House Kits

Models Include:

T2SK7F8

8 Door Kit with Fused Outputs

Fully assembled kit includes:

- Trove2 enclosure with TSH2 Altronix/Software House backplane
- One (1) eFlow104NB - Power Supply/Charger
- One (1) ACM8 - Fused Access Power Controller
- One (1) VR6 - Voltage Regulator
- One (1) PDS8 - Dual Input Power Distribution Module
- One (1) Rocker Switch Bracket with One (1) Rocker Switch (Not evaluated by UL)

T3SK75F8

8 Door Kit with Fused Outputs

Fully assembled kit includes:

- Trove3 enclosure with TSH3 Altronix/Software House backplane
- One (1) eFlow104NB - Power Supply/Charger
- One (1) eFlow102NB - Power Supply/Charger
- One (1) ACM8 - Fused Access Power Controller
- One (1) PD8UL - Fused Power Distribution Module
- One (1) Rocker Switch Bracket with Two (2) Rocker Switches (Not evaluated by UL)

T3SK75F16

16 Door Kit with Fused Outputs

Fully assembled kit includes:

- Trove3 enclosure with TSH3 Altronix/Software House backplane
- One (1) eFlow104NB - Power Supply/Charger
- One (1) eFlow102NB - Power Supply/Charger
- Two (2) ACM8 - Fused Access Power Controllers
- One (1) PD8UL - Fused Power Distribution Module
- One (1) Rocker Switch Bracket with Two (2) Rocker Switches (Not evaluated by UL)

All components of these Trove kits are UL Listed sub-assemblies.

Please refer to the included corresponding Sub-Assembly Installation Guides for further information.

Installation Guide



More than just power.™

All registered trademarks are property of their respective owners.

Rev. TSK110817

Installing Company: _____ Service Rep. Name: _____

Address: _____ Phone #: _____

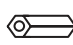


Overview:

Altronix Trove Software House kits are pre-assembled and consist of Trove enclosure with factory installed Altronix power supply/chargers and sub-assemblies. These kits also accommodate various combinations of Software House boards for up to sixteen (16) doors in a single enclosure.

Configuration Chart:

Altronix Model Number	120VAC 60Hz Input Current (A)	Power Supply Board Input Fuse Rating	Power Supply Board Battery Fuse Rating	Nominal DC Output Voltage Options								Maximum Supply Current for Main and Aux. Outputs on Power Supply board and ACM8 Access Power Controller's outputs (A)	Fail-Safe/Fail-Secure or Dry Form "C" Outputs	Current Per ACM8 Output (A)	ACM8 Board Input Fuse Rating	ACM8 Board Output Fuse Rating	PDS8 Board Input Fuse Rating	PDS8 Board Output Fuse Rating	PD8UL Board Output Fuse Rating
				Power Supply 1				Power Supply 2											
				[DC]		[AUX]		[DC]		[AUX]									
				12VDC Output Range (V)	24VDC Output Range (V)	12VDC Output Range (V)	24VDC Output Range (V)	12VDC Output Range (V)	24VDC Output Range (V)	12VDC Output Range (V)	24VDC Output Range (V)								
T2SK7F8	4.5	6.3A/250V	15A/32V	eFlow104NB				N/A				24VDC @ 9.2A	8	2.5	10A/250V	2.5A/250V	10A/32V	3A/32V	-
				-	20.17-26.4	-	20.17-26.4	-	-	-	-								
T3SK75F8	8.0	6.3A/250V (eFlow104NB)	15A/32V	eFlow104NB				eFlow102NB				24VDC @ 9.2A	8	2.5	10A/250V	2.5A/250V	-	-	3.5A/250V
		5A/250V (eFlow102NB)		-	20.19-26.4	-	20.19-26.4	10.0-13.2	-	10.03-13.2	-								
T3SK75F16	8.0	6.3A/250V (eFlow104NB)	15A/32V	eFlow104NB				eFlow102NB				24VDC @ 9.2A	16	2.5	10A/250V	2.5A/250V	-	-	3.5A/250V
		5A/250V (eFlow102NB)		-	20.19-26.4	-	20.19-26.4	10.0-13.2	-	10.03-13.2	-								

Hardware and Accessories:

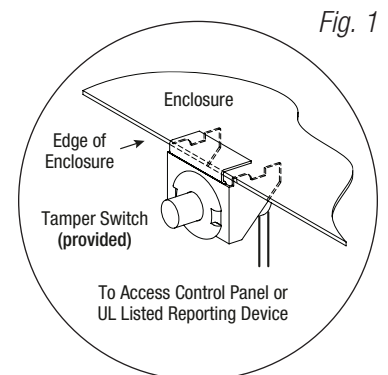
 Metal or Nylon Spacer |  5/16" Pan Head Screw |  Lock Nut

- Nylon spacers - eighteen (18) for **T2SK7F8**, forty-six (46) for **T3SK75F8** or **T3SK75F16**.
- 5/16" pan head screws - eighteen (18) for **T2SK7F8**, forty-six (46) for **T3SK75F8** or **T3SK75F16**.
- Tamper switch (Altronix Model TS112 or equivalent) - one (1) for **T2SK7F8**, two (2) for **T3SK75F8** or **T3SK75F16**.
- Cam lock.
- Battery leads.

Installation Instructions:

Wiring methods shall be in accordance with the National Electrical Code/NFPA 70/ANSI, and with all local codes and authorities having jurisdiction. Product is intended for indoor use only.

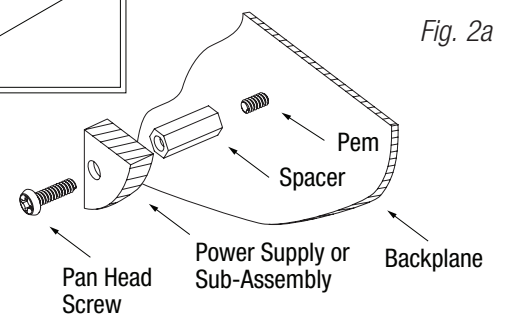
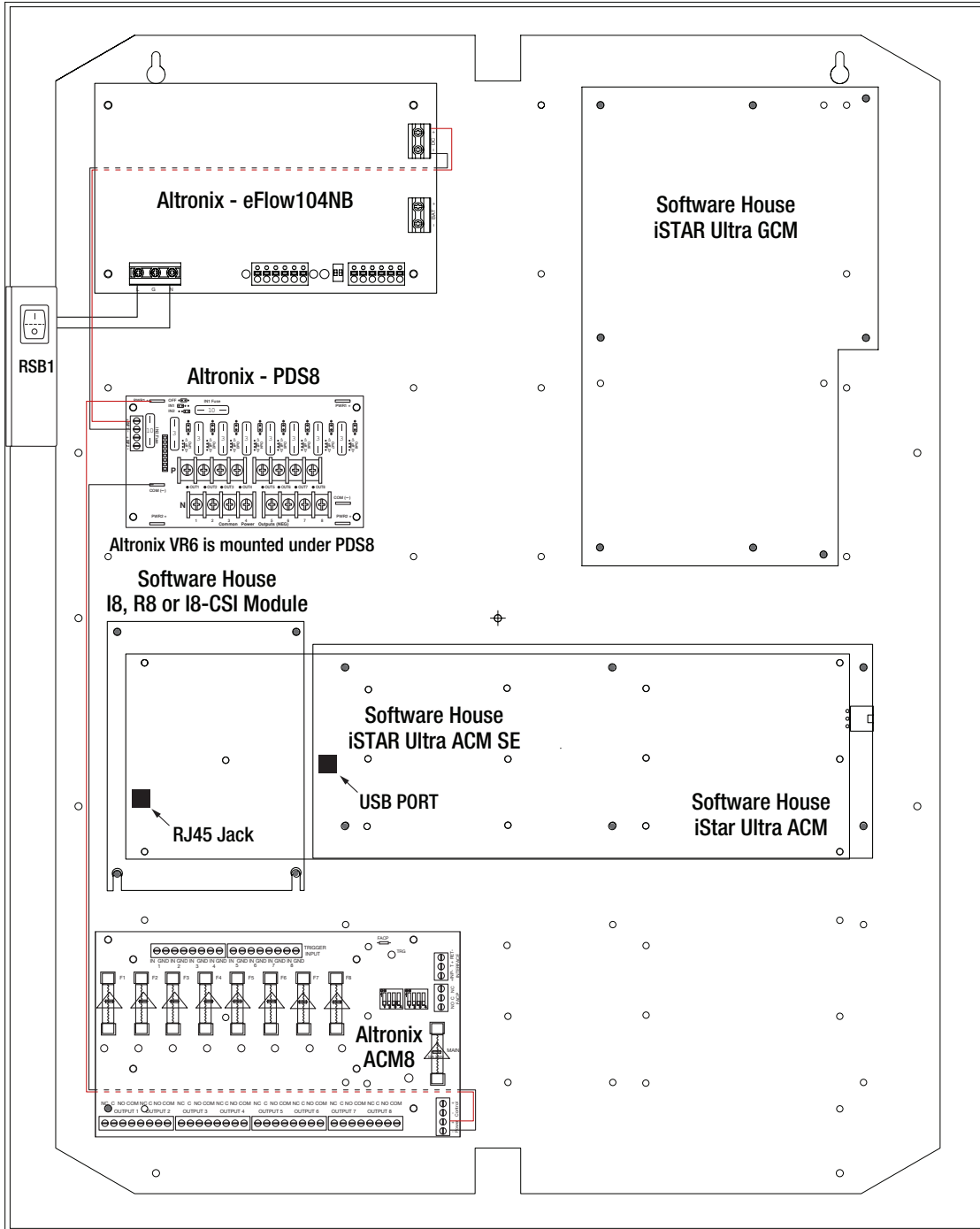
1. Remove backplane from enclosure. Do not discard hardware.
2. Mark and predrill holes in the wall to line up with the top three keyholes in the enclosure. Install three upper fasteners and screws in the wall with the screw heads protruding. Place the enclosure's upper keyholes over the three upper screws, level and secure. Mark the position of the lower three holes. Remove the enclosure. Drill the lower holes and install the three fasteners. Place the enclosure's upper keyholes over the three upper screws. Install the three lower screws and make sure to tighten all screws.
3. Mount included UL Listed tamper switch (Altronix Model TS112 or equivalent) in desired location, opposite hinge. Slide the tamper switch bracket onto the edge of the enclosure approximately 2" from the right side (*Fig. 1, pg. 2*). Connect tamper switch wiring to the Access Control Panel input or the appropriate UL Listed reporting device. To activate alarm signal open the door of the enclosure.
4. Mount Software House boards to backplane, *refer to pages 3-8*.
5. Refer to the corresponding eFlow Power Supply/Charger Installation Guide (eFlow104NB, eFlow102NB) and corresponding *Sub-Assembly Installation Guides* for the following models: PD8UL, ACM8(CB), PDS8(CB), VR6 for further installation instructions.



T2SK7F8: Configuration of Software House iSTAR Ultra Boards

1. Align the Software House boards on the backplane to match the boards' mounting holes with corresponding pems.
2. Fasten spacers (provided) to pems that match the hole pattern for Software House iSTAR Ultra GCM, iSTAR Ultra ACM, and /or I8, R8, I8-CSI boards (Fig. 2, 2a, pg. 3).
3. Mount Software House boards to spacers utilizing provided 5/16" pan head screws (Fig. 2a, pg. 3).
Note: Software House iSTAR Ultra ACM boards have one (1) USB port each.
 Please orient the board in the appropriate position according to the Fig. 2 below.
4. Fasten backplane to Trove2 enclosure utilizing lock nuts (provided).

Fig. 2



T2SK7F8: Configuration of Software House iSTAR Pro Boards

1. Align the Software House boards on the backplane to match the boards' mounting holes with corresponding pems.
2. Fasten provided spacers to pems that match the hole pattern for Software House iSTAR Pro GCM, iSTAR ACM SE/PRO ACM, and /or I8, R8, I8-CSI boards (*Fig. 3, 3a, pg. 4*).
3. Mount Software House boards to spacers utilizing provided 5/16" pan head screws (*Fig. 3a, pg. 4*).
Note: Software House iSTAR ACM SE/PRO ACM boards have one (1) USB port each.
 Please orient boards in the appropriate position according to the *Fig. 3* below.
4. Fasten backplane to Trove2 enclosure utilizing lock nuts (provided).

Fig. 3

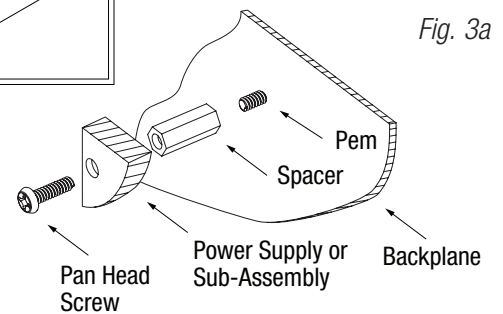
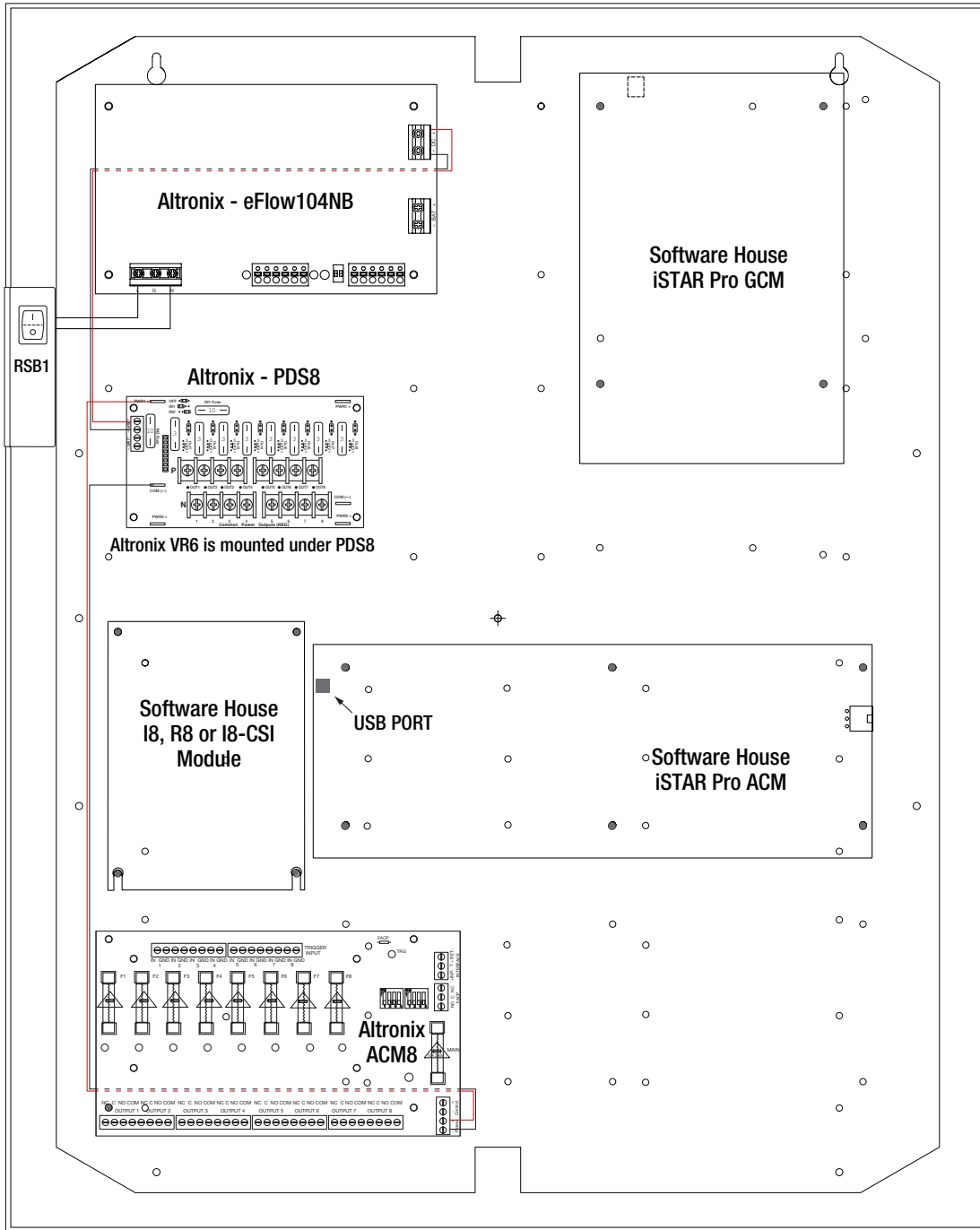


Fig. 3a

T3SK75F8 or T3SK75F16: Configuration of Software House iSTAR Ultra Boards

1. Align the Software House boards on the backplane to match the boards' mounting holes with pems provided.
2. Fasten spacers (provided) to pems that match the hole pattern for Software House iSTAR Ultra GCM, iSTAR Ultra ACM, and /or I8, R8, I8-CSI boards (Fig. 4, 4a, pg. 5).
3. Mount Software House boards to spacers utilizing provided 5/16" pan head screws (Fig. 4a, pg. 5).
Note: Software House iSTAR Ultra ACM boards have one (1) USB port each.
 Please orient the board in the appropriate position according to the Fig. 4 below.
4. Fasten backplane to Trove3 enclosure utilizing lock nuts (provided).

Fig. 4

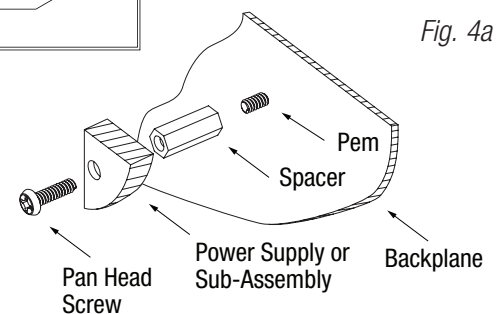
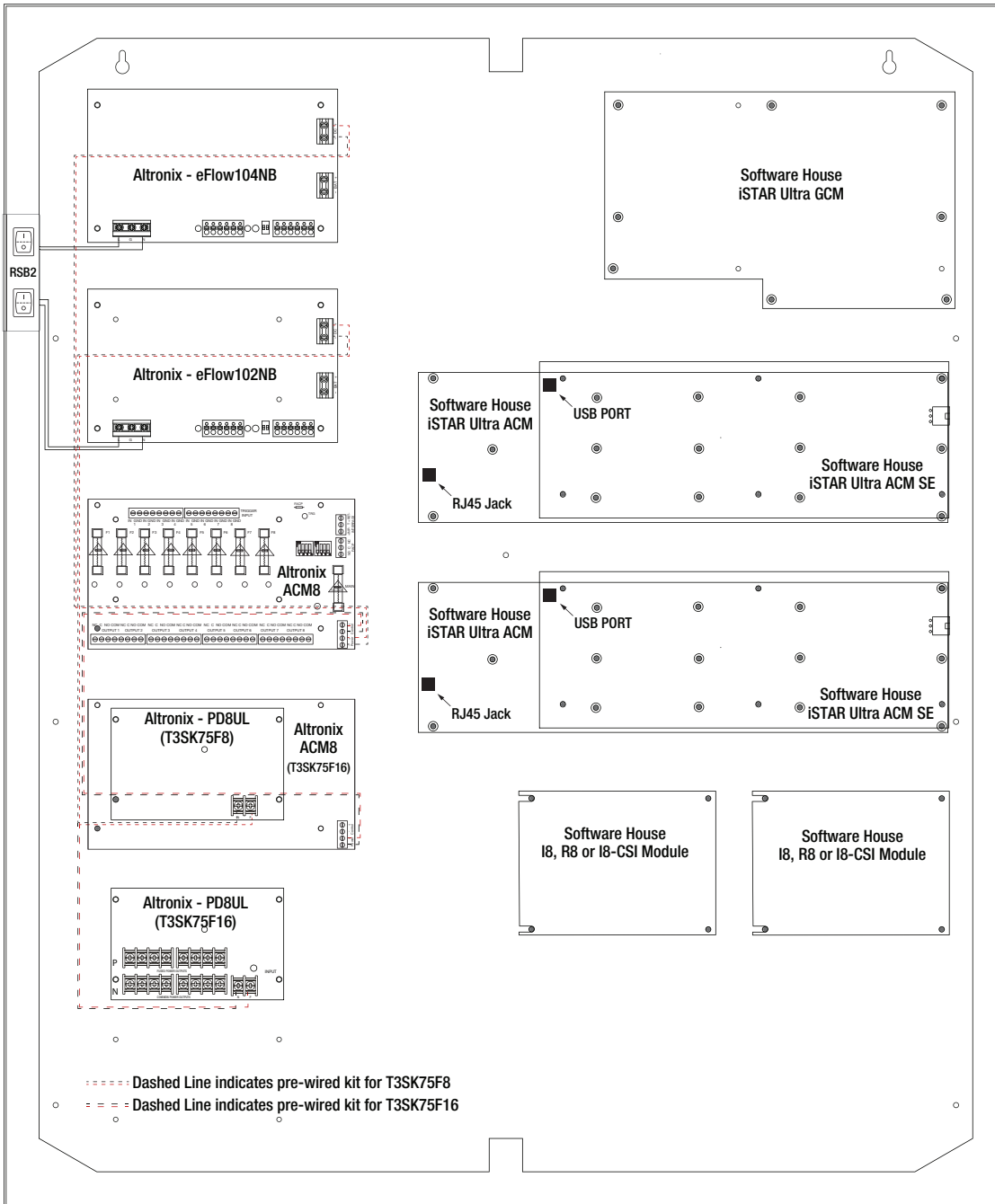


Fig. 4a

T3SK75F8 or T3SK75F16: Configuration of Software House iSTAR Pro Boards

1. Align the Software House boards on the backplane to match the boards' mounting holes with pems provided.
2. Fasten provided spacers to pems that match the hole pattern for Software House iSTAR Pro GCM, iSTAR ACM SE/PRO ACM, and /or I8, R8, I8-CSI boards (*Fig. 5, 5a, pg. 6*).
3. Mount Software House boards to spacers utilizing provided 5/16" pan head screws (*Fig. 5a, pg. 6*).
Note: Software House iSTAR ACM SE/PRO ACM boards have one (1) USB port each.
 Please orient the board in the appropriate position according to the *Fig. 5* below.
4. Fasten backplane to Trove3 enclosure utilizing lock nuts (provided).

Fig. 5

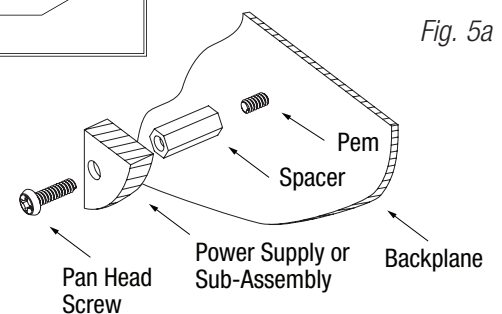
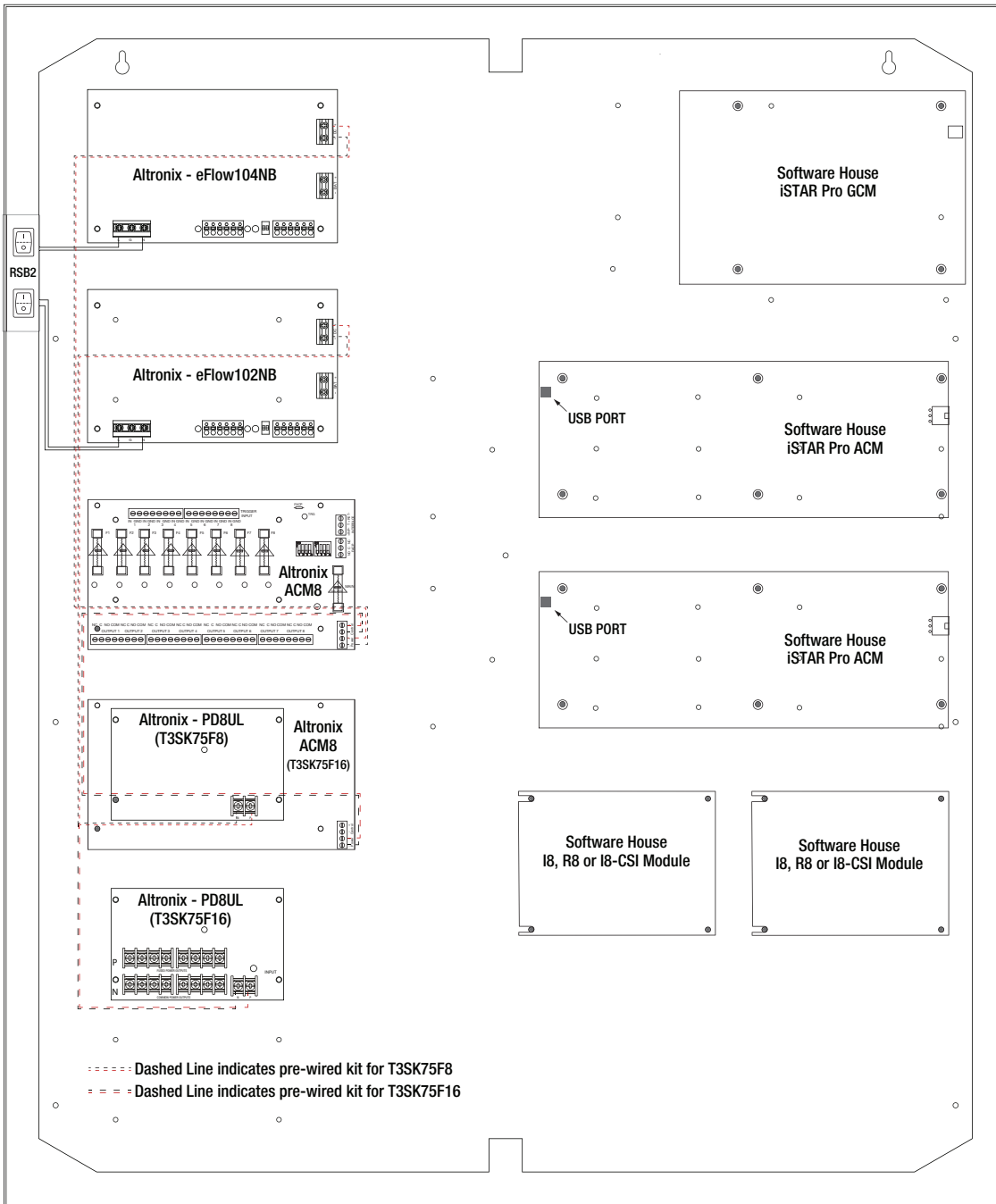
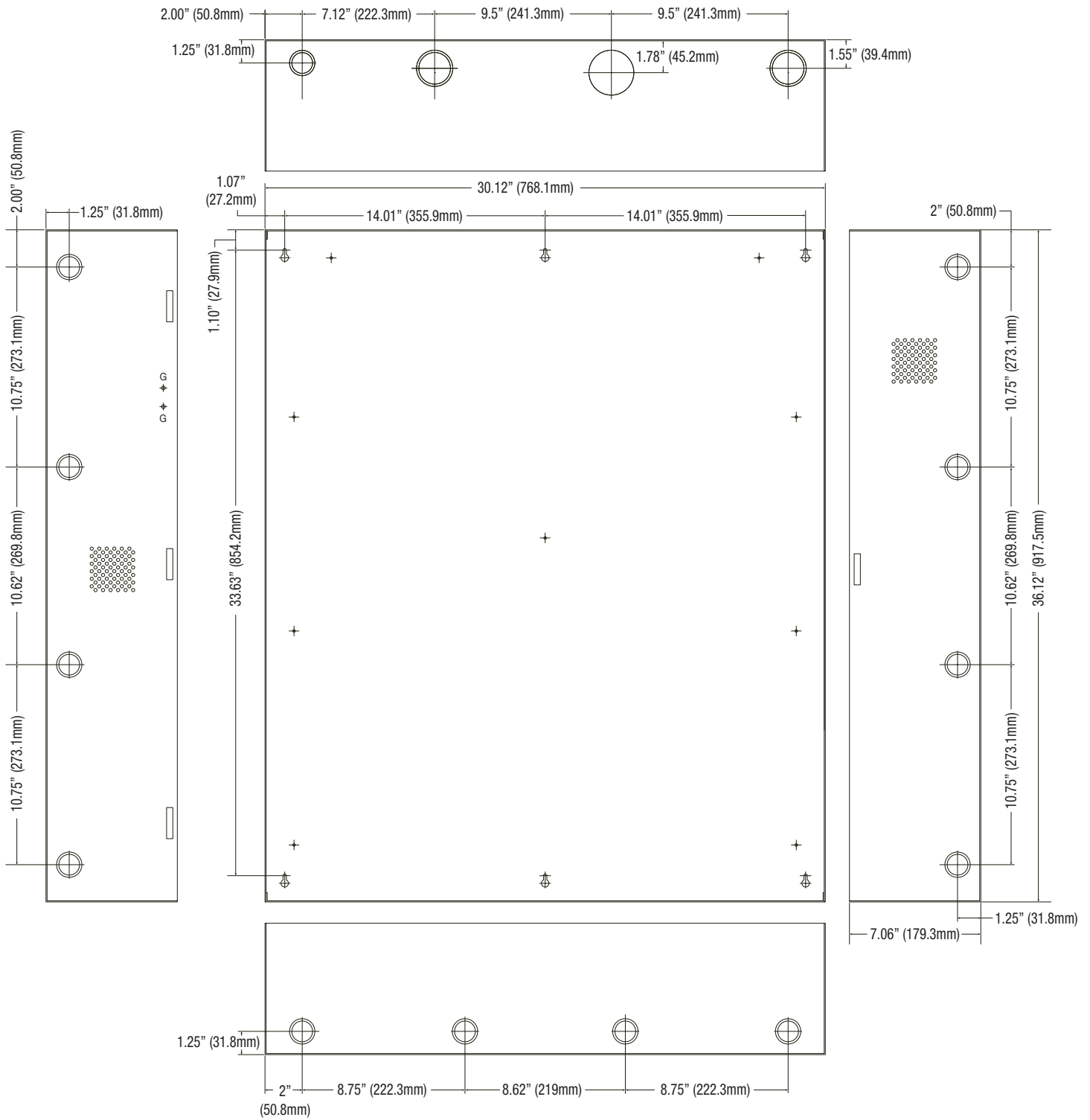


Fig. 5a

T3SK75F8 and T3SK75F16 Enclosure Dimensions (H x W x D approximate):

36.12" x 30.125" x 7.06" (917.5mm x 768.1mm x 179.3mm)



Altronix is not responsible for any typographical errors.

140 58th Street, Brooklyn, New York 11220 USA | phone: 718-567-8181 | fax: 718-567-9056

web site: www.altronix.com | e-mail: info@altronix.com | Lifetime Warranty

ITroveSH Kit Series

J05U



MEMBER