

STI TYPE 4X STOPPER® DOME



STI-1229



PRODUCT OVERVIEW

This super tough cover is designed to provide maximum protection against physical damage (both accidental and intentional), dust, grime and damage from severe environments indoors and out. The STI-1229 is for smaller strobe units of the new generation of fire signal appliances. It is a weatherproof cover for surface mount applications which can be used in wet or hose down areas (such as kitchens, cafeterias, meat packaging plants, showers, outdoors, etc.).

HOW IT WORKS

Both the cover and circular back box are molded from clear, thick polycarbonate material that is UV-stabilized against discoloration. The STI-1229 incorporates an appliance mounting plate that eliminates the need for an electrical outlet box, as well as a special gasket for Type 4X applications. In extremely frigid conditions, use the STI-1229HTR Heated Enclosure. Also available is a similar cover with slots (STI-1219) for surface mount applications of horn signal units. The STI-1219 is not Type 4X Rated.

KEY FEATURES

General Information

- Advanced features to protect strobe signal units of the newest generation of fire protection systems.
- See chart on other side for light and sound loss information.
- Easy access for service.
- Three year guarantee against breakage of polycarbonate in normal use (one year on electro mechanical and electronic components).

Design

- Dust tight (Class II Group F and G Div. 2).
- All Class III locations.

Construction

- Type 4X rating (STI-1229 series only).
- Tested to UL 50 Standards.
- Polycarbonate is UV-stabilized.
- UL/cUL ambient rating 32° to 120°F (0° to 49°C) indoors or outdoors.

Installation

- Includes appliance mounting plate which eliminates the need for an electrical outlet box.
- Tough matching polycarbonate back box included for surface mounting with conduit.
- Gasket included for indoor/outdoor applications.
- Typical working properties of polycarbonate are -40° to 250°F (-40° to 121°C).

Options

- CSFM letter available authorizing local AHJ's authority to grant permission for use.



STI Type 4X Stopper II® Dome

Dimensions and Technical Information

MODELS AVAILABLE

Stopper Dome for strobe only

- STI-1229** Enclosed back box, Type 4X
- STI-1229-WD** Enclosed back box, Type 4X, for Washdown Areas
- STI-1229-HAZ** Enclosed back box, Type 4X hazardous locations

Accessories

- KIT-H18021** Type 4X, 3/4" rigid conduit hub (included with hazardous model)
- STI-1284** Single Gang Mounting Adapter

APPROVALS & WARRANTY

TESTING

It has been tested and approved or listed by:

- UL and cUL, Type 4X, and UL 50 File S7025
- UL and cUL Hazardous File E228169
- For hazardous applications in Canada, to meet cUL, your strobe must be ULC Listed. UL and cUL, Type 4X, and UL 50 File S7025

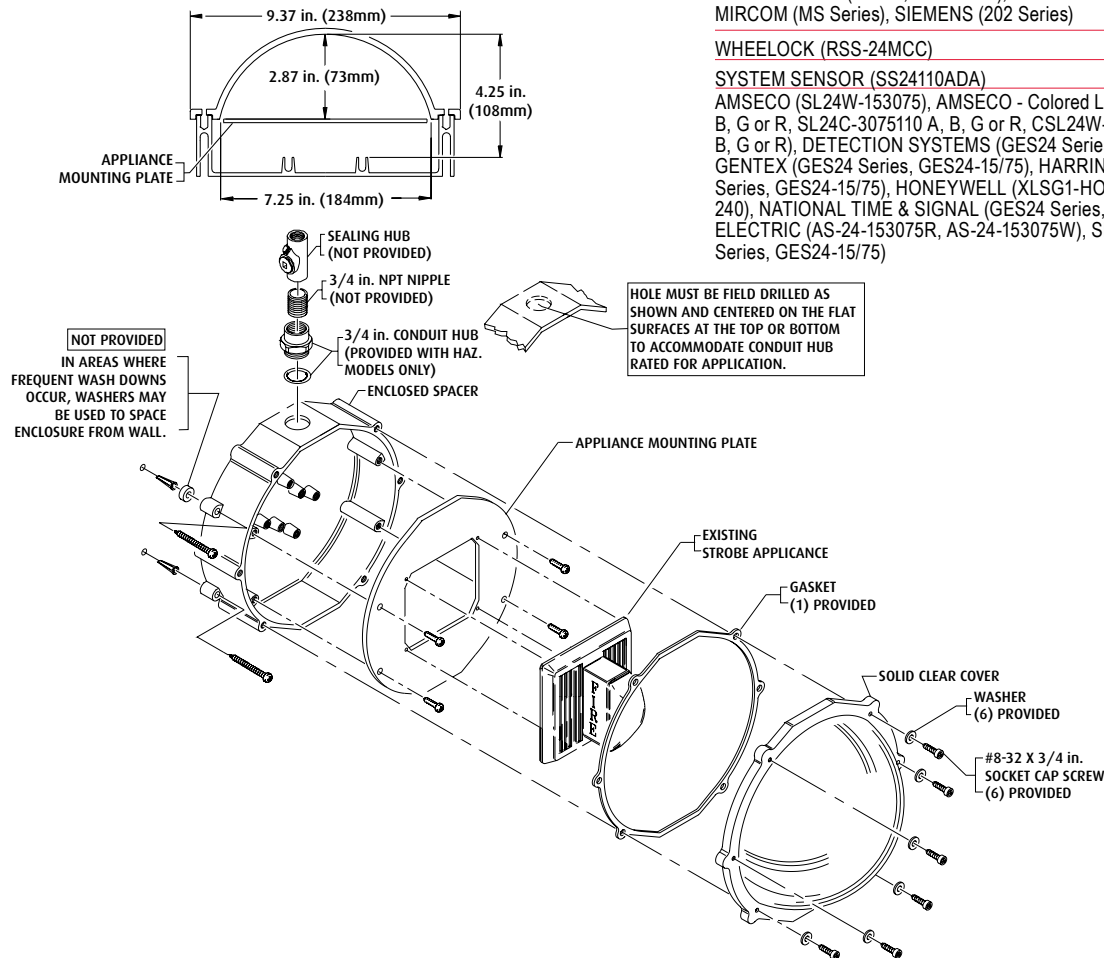
WARRANTY

Three year guarantee against breakage of polycarbonate in normal use (one year on electro mechanical and electronic components).

PERFORMANCE REVIEW

	Light Loss %
SYSTEM SENSOR (P2, PC2, P4, PC4, SX, SC)	28%
WHEELOCK (RSS 24MCW)	31%
ADT SECURITY (ADTG1-V Series), EST/EDWARDS (G1-V, G1-HV Series, G1-HOV Series, EG1-V, EG1-HV Series, EG1-HOV Series), HONEYWELL (XLSG1-V, XLSG1-HV Series, XLSG1-HOV Series), MIRCOM (MG1-V, MG1-HV Series, MG1-HOV Series), MIRTONE (MG1-V Series), SIEMENS (G1-V Series), ZITON PTY LTD (ZG1-V Series)	32%
FARADAY LLC (2700), SIEMENS (U-MCS Series)	33%
EST/EDWARDS (2440S, 202 Series), HONEYWELL (XLS202 Series), MIRCOM (MS Series), SIEMENS (202 Series)	34%
WHEELOCK (RSS-24MCC)	35%
SYSTEM SENSOR (SS24110ADA)	36%
AMSECO (SL24W-153075), AMSECO - Colored Lenses (SL24W-153075 A, B, G or R, SL24C-3075110 A, B, G or R, CSL24W-A, B, G or R, CSL24C-A, B, G or R), DETECTION SYSTEMS (GES24 Series, GES24-15/75), GENTEX (GES24 Series, GES24-15/75), HARRINGTON SIGNAL (GES24 Series, GES24-15/75), HONEYWELL (XLSG1-HOV Series), MIRCOM (FS-240), NATIONAL TIME & SIGNAL (GES24 Series, GES24-15/75), POTTER ELECTRIC (AS-24-153075R, AS-24-153075W), SECUTRON (GES24 Series, GES24-15/75)	37%

STROBES LISTED FOR USE WITH STI-1229-HAZ	MANUFACTURER	SERIES	LIGHT LOSS
	AMSECO	SL24W-153075	36%
	FARADAY	2700 Series	33%
	GENTEX	GES24-15/75	36%
		May be followed by a "W", "R" or "P"	
SYSTEM SENSOR	SS24110ADA	35%	
WARNING: In hazardous areas all sources of power must be shutdown before accessing cover per NEC.			



Safety Technology International

2306 Airport Road
Waterford, Michigan
48327, USA

Tel: 248-673-9898
Fax: 248-673-1246
info@sti-usa.com
www.sti-usa.com

Taylor House
34 Sherwood Road
Bromsgrove, Worcestershire
B60 3DR, England

Tel: +44 (0)1527 520 999
Fax: +44 (0)1527 501 999
info@sti-emea.com
www.sti-emea.com