

CK10W Cable Kit, 10-Foot

BOGEN®

Description

The CK10W is a 10-foot long Cable Kit. The kit can be used either as a main suspension drop cable or as a safety cable.

Contents

10-foot long Cable w/fixed loop, Cable clamp, Instruction Sheet.

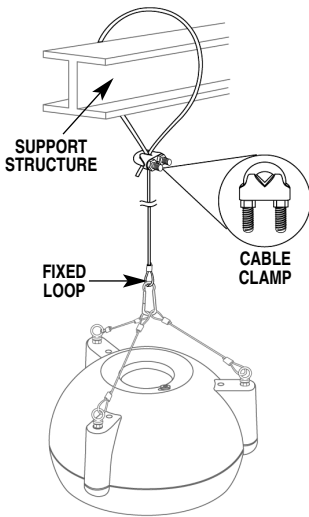
Installation

The cable can be secured to the speaker and the building structure in a variety of ways. Below are three common approaches. The support structure **MUST** be able to support 100 lbs. to provide adequate safety margin.

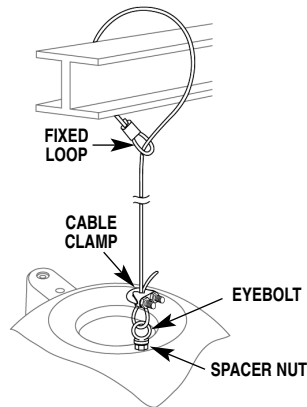
The CK10W has a working load limit of 50 lbs. This working load limit is the maximum load which should ever be applied to this product at any time.

WARNING

IN NO EVENT SHOULD THE WORKING LOAD LIMIT BE EXCEEDED. FAILURE TO FOLLOW THIS INSTRUCTION MAY RESULT IN PROPERTY DAMAGE, INJURY OR DEATH, AND LEGAL LIABILITY TO YOU AND YOUR COMPANY.



Pendant Drop Cable



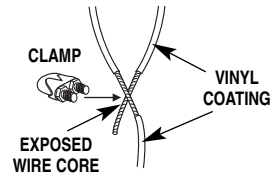
Safety Cable for Pendant

(Primary Suspension Cables not shown)

Thread Spacer Nut completely on to Eyebolt, then thread the Eyebolt into Safety Point. Tighten securely (but do not over-tighten).

Note

IMPORTANT: For Vinyl-coated Cable, you must strip away the coating in the area where the Cable Clamp will be applied so that the clamp makes contact to the wire core of the cable.



WARNING

CABLE CLAMPS MUST BE SECURELY TIGHTENED. FAILURE TO DO SO MAY RESULT IN PROPERTY DAMAGE, INJURY OR DEATH, AND LEGAL LIABILITY TO YOU AND YOUR BUSINESS.