

PR-1 Multi-Voltage Relay

Specifications

Operating Voltage:	18-35 VDC, 18-35 VAC, 120 VAC
Operating Current:	15 mA max.
Operating Temperature Range:	-40°F to 158°F (-40°C to 70°C)
Storage Temperature Range:	-58°F to 185°F (-50°C to 85°C)
Humidity:	10 to 93% RH non-condensing
Wire Length:	8" min. (203 mm)
Dimensions:	0.87"H x 2.01"W x 1.42"D (22 mm H x 51 mm W x 36 mm D)
Accessories:	Six wire nuts One piece of double sided tape One 1 ¹ / ₄ " screw
Contact Ratings:	24 VDC 7A 120 VAC 7A max. (0.35 PF) 250 VAC 10A max. (resistive load) 30 VDC 10A max. (resistive load)

NOTICE: This manual should be left with the owner/user of this equipment.

General Description

Model PR-1 is an epoxy encapsulated single pull double throw (SPDT) relay. The PR-1 also uses a red LED as a visible indication of relay coil energization.

Mounting

For ease of installation, the PR-1 relay may be mounted in a variety of ways. It can be attached within compatible equipment or in a separate enclosure using a mounting screw. Double sided tape is also provided for additional support.

Wiring

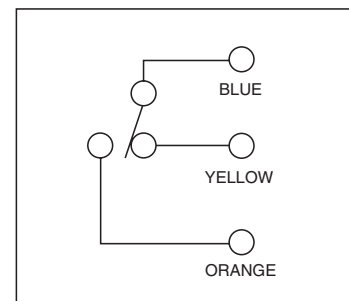
NOTE: All wiring must conform to applicable local codes, ordinances, and regulations.

The PR-1 connections are shown on the label on the side of the relay. Using the enclosed wire nuts, secure the electrical connections appropriate to the application. Provisions must be taken to separate power limited and non-power limited wiring per National Electrical Code requirements. Field installable wiring connected to the product must have a minimum 1/4 inch spacing between the power limited and non-power limited wire.

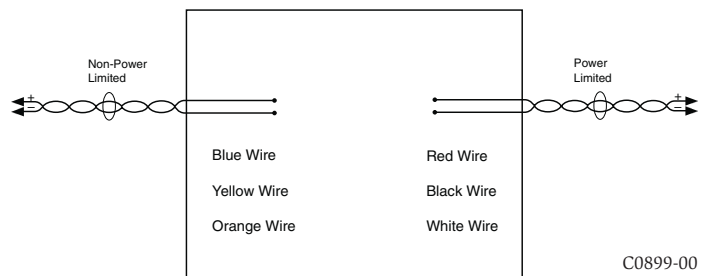
NOTE: There is high voltage running through the red wire. To help prevent injury, put a wire nut on the red wire before installing. This is only applicable when using 120 VAC operating voltage (black wire).

WIRE DEFINITIONS

RED	POWER INPUT 24 VDC (+)/24 VAC
BLACK	POWER INPUT 120 VAC
BLUE	RELAY - COMMON
YELLOW	RELAY - NORMALLY CLOSED
ORANGE	RELAY - NORMALLY OPEN
WHITE	POWER INPUT 24 VDC(-)/24 VAC/120 VAC



C0209-00



C0899-00

THREE-YEAR LIMITED WARRANTY

System Sensor warrants its enclosed product to be free from defects in materials and workmanship under normal use and service for a period of three years from date of manufacture. System Sensor makes no other express warranty for the enclosed product. No agent, representative, dealer, or employee of the Company has the authority to increase or alter the obligations or limitations of this Warranty. The Company's obligation of this Warranty shall be limited to the replacement of any part of the product which is found to be defective in materials or workmanship under normal use and service during the three year period commencing with the date of manufacture. After phoning System Sensor's toll free number 800-SENSOR2 (736-7672) for a Return Authorization number, send defective units postage prepaid to: Honeywell, 12220 Rojas Drive, Suite 700, El

Paso TX 79936, USA. Please include a note describing the malfunction and suspected cause of failure. The Company shall not be obligated to replace units which are found to be defective because of damage, unreasonable use, modifications, or alterations occurring after the date of manufacture. In no case shall the Company be liable for any consequential or incidental damages for breach of this or any other Warranty, expressed or implied whatsoever, even if the loss or damage is caused by the Company's negligence or fault. Some states do not allow the exclusion or limitation of incidental or consequential damages, so the above limitation or exclusion may not apply to you. This Warranty gives you specific legal rights, and you may also have other rights which vary from state to state.