



ELM205 Power Conditioner

(6901-100215 <01>)

Specifications

- 2,700 joule surge suppression
- Dual Stage EMI/RFI noise filtration 20-50dB (100KHz-1MHz)
- Gold-plated coaxial input and outputs
- Combo ethernet/phone jack - supports up to 100Base-T connection speeds
- 125V/60Hz/12 A max
- Suppressed voltage rating: L-N 400V L-G 500V N-G 500V
- Audible alarm if surge has served it's useful life
- Resettable fuse
- Interchangeable 1'* or 6'** power cords
- ClickFit compatible

* 1' power cord is intended for use in special installations only; such as, dedicated equipment intended to be mounted near a receptacle.

** 6' power cord is intended for use in all other installations.

Warranty

Your Sanus ELM205 has a five year product warranty against manufacturer's defects. If you have any questions or experience any problems with your Sanus Elements product, please contact Sanus Systems Customer Service at 1-800-359-5520.

CAUTIONS

The input plug of this power tap is intended to serve as the disconnect device, it shall be easily accessible and withdrawn.

Cable distribution system should be grounded (earthed) in accordance with ANSI/NFPA 70, the National Electrical Code (NEC), in particular Section 820.93, Grounding of Outer Conductive Shield of a Coaxial Cable.

WARNINGS

Avoid potential injuries! Do not disassemble the surge protector. Disassembling the surge protector will void the warranty and may cause serious personal injury.

Avoid potential damage to your electrical components! Disconnect the surge protector during lightning storms. Not for use near water or in areas with high moisture.

This product contains small items that could be a choking hazard if swallowed. Keep these items away from young children!



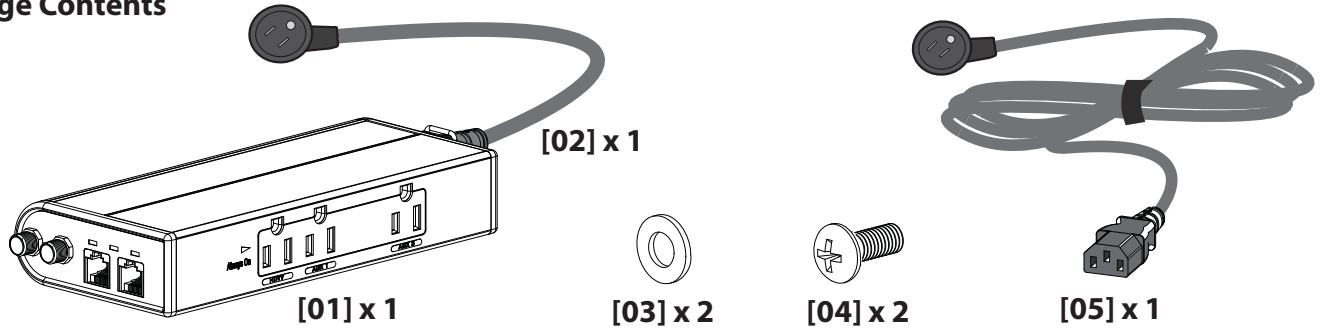
Hardware and procedures for multiple mounting configurations are included. When you see this symbol, choose the correct configuration to suit your needs. Not all hardware included will be used.

Sanus Systems 2221 Hwy 36 West, Saint Paul, MN 55113 USA

Customer Service: 1-800-359-5520 • info@sanus.com • www.sanus.com

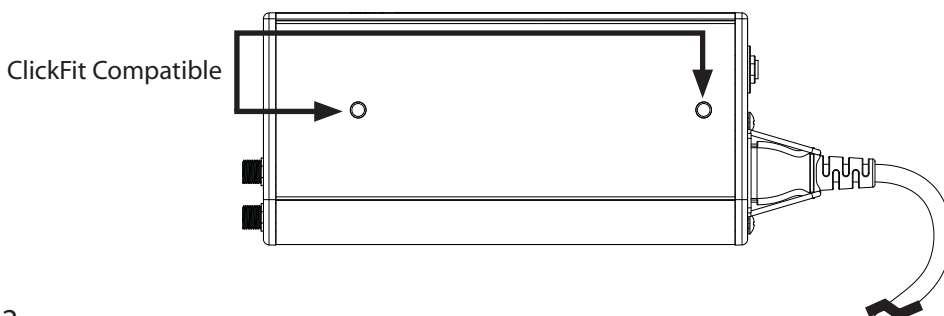
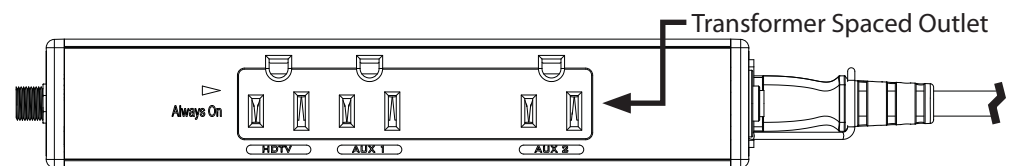
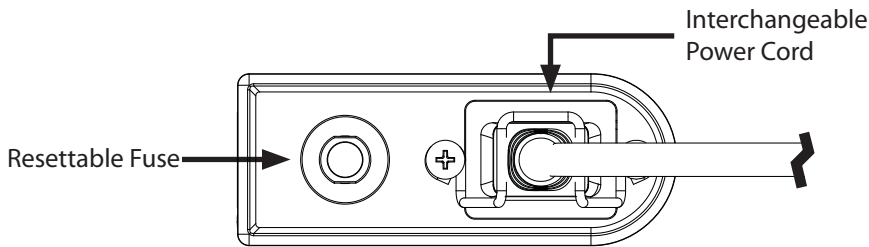
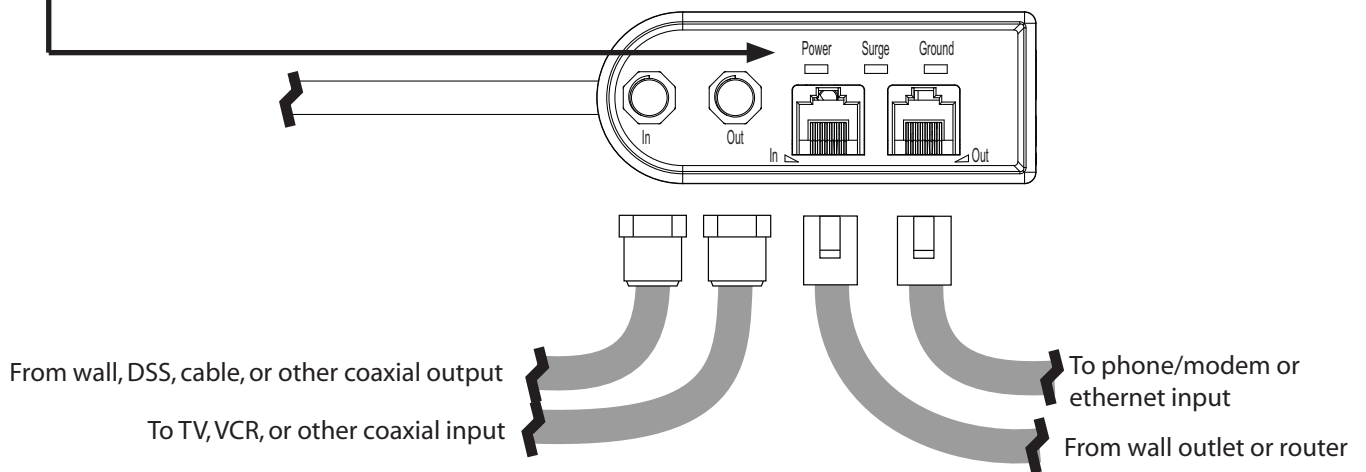
©2009 Milestone AV Technologies. All rights reserved. Sanus is a division of Milestone. All other brand names or marks are used for identification purposes and are trademarks of their respective owners.

Package Contents



Features

The Power, Surge, and Ground LED lights illuminate to indicate that the surge protector is working. If the lights fail to illuminate, see Troubleshooting your Power Conditioner on the next page.



Troubleshooting your Power Conditioner

The Power, Surge, and Ground LED lights illuminate under normal operating conditions. If any of the lights fail to illuminate, follow the instructions below. If any of the lights still fail to illuminate, you need to replace your Power Conditioner.

Power

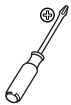
- If the Power light is off, verify that your power conditioner is plugged into a working outlet.
- If the Power light is still off, unplug all accessories from the surge protected outlets and press the resettable fuse button.
- If the Power light remains off, the power conditioner has served its useful life and needs to be replaced.

Surge

- If the Surge light is off but the Power and Ground lights are on, or if the alarm sounds, the power conditioner has served its useful life and needs to be replaced.

Ground

- If the Ground light is off but the Power and Surge lights are on, verify that you are using a properly grounded outlet.
- If the Ground light is still off, the power conditioner has served its useful life and needs to be replaced.

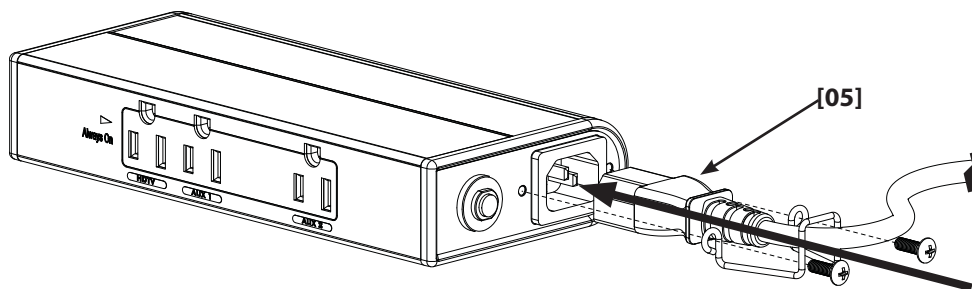
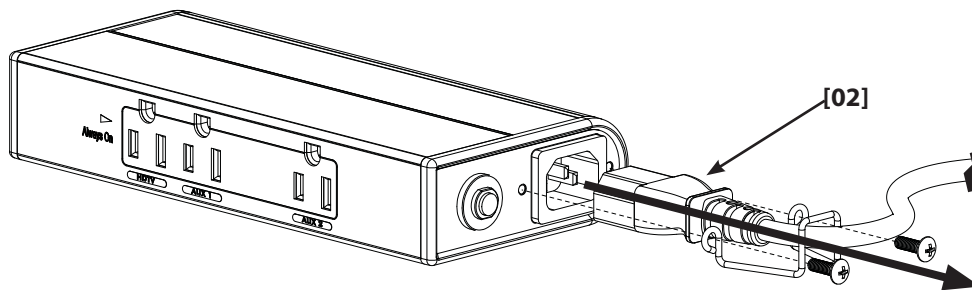


Changing your Power Cord



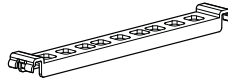
NOTE

1' power cord is intended for use in special installations only; such as, dedicated equipment intended to be mounted near a receptacle. 6' power cord is intended for use in all other installations.



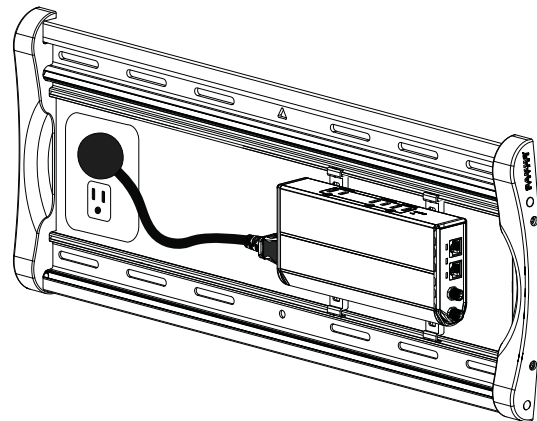
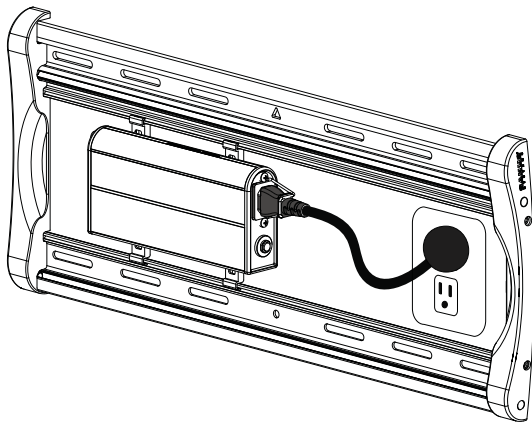
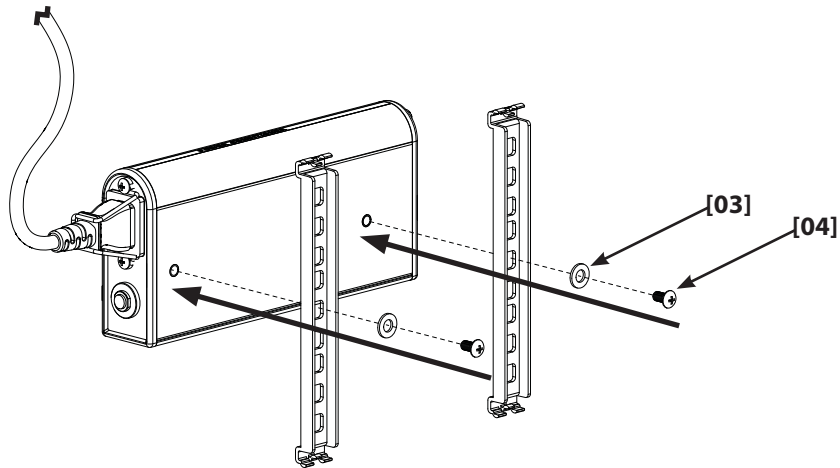


Installing ClickFit



NOTE

You should use the ClickFit brackets that are included with select Sanus mounts, and the hardware, [03] and [04], that is included with the ELM205.



Milestone AV Technologies and its affiliated corporations and subsidiaries (collectively, "Milestone"), intend to make this manual accurate and complete. However, Milestone makes no claim that the information contained herein covers all details, conditions, or variations. Nor does it provide for every possible contingency in connection with the installation or use of this product. The information contained in this document is subject to change without notice or obligation of any kind. Milestone makes no representation of warranty, expressed or implied, regarding the information contained herein. Milestone assumes no responsibility for accuracy, completeness or sufficiency of the information contained in this document.