































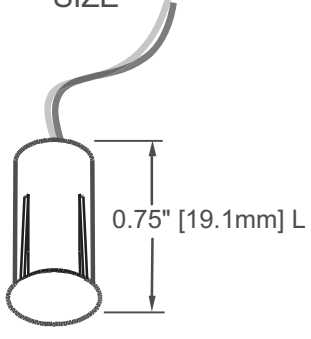

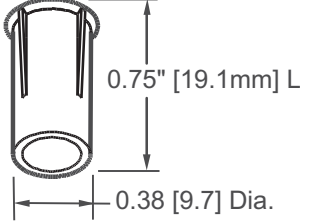



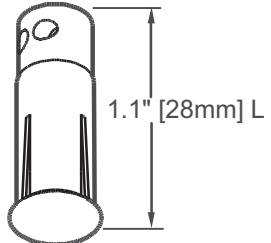

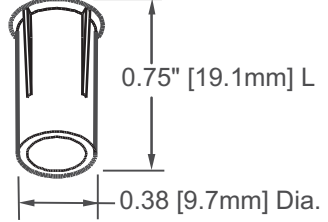
MAGNASPHERE®


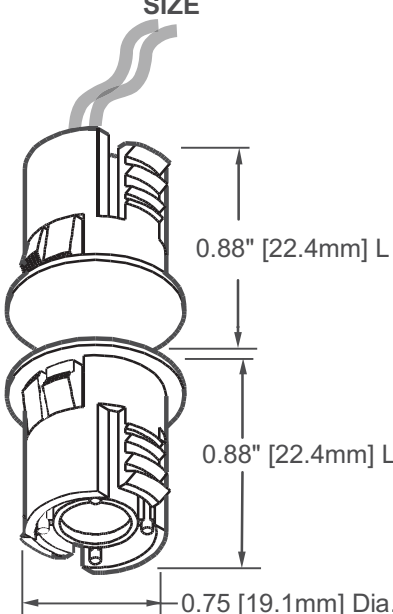

SECURITY PRODUCT CATALOG


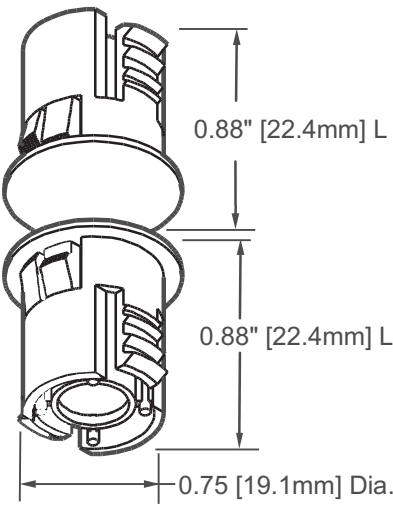

INDEX


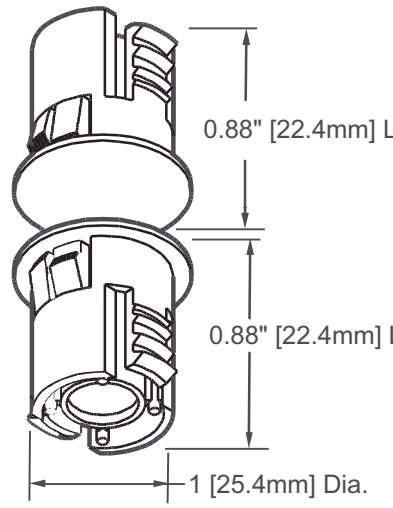

Page #	Description	
2-7	MAGNASPHERE MSS Contacts (Recessed/Concealed and Surface Mount)	  
8 - 9	MSS-200C Series Multi-Switch Contacts (Recessed/Concealed)	  
10- 11	MSS-300C Series Multi-Switch Contacts (Recessed/Concealed)	  
12-13	MSS-300S Series Multi-Switch Contacts (Surface Mount)	  
14	MSS-RFS Series Wireless Surface Mount Contact	FCC ID: 2ABBZ-RF-SDWS IC:11817A-RFSDWS
15-16	MSS Accessories	
17	HS L1.5 Level 1 High Security Contacts (Surface Mount)	  
18-19	HS L1.5 Accessories & Replacement Pack	
20-21	HSS L2S Level 2 High Security Contacts (Single Alarm Contact, Surface Mount)	  
22-23	HSS L2D Level 2 High Security Contacts (Dual Alarm Contacts, Surface Mount)	  
24-28	HSS L2S/D 800 Series Level 2 High Security Contacts (Conduit Fitting)	  
29-31	HSS Accessories and Replacement Packs	
32-33	HSS L2C and L2C-ANSI Level 2 High Security Contacts (Recessed/Concealed)	  
34-36	L2C Accessories and Replacement Packs	
37-38	Roll Up Door Bracket Kits and Overhead Door Brackets (OHD)	
39-40	T3-B-LS Omnidirectional, T1-AB-JS Unidirectional Tilt Switches and Accessories	
41	Custom Length Armored Cable/Leads	
42-43	Magnasphere Motion and Accessories	  
44	MACS Anti-Climb System and Accessories	


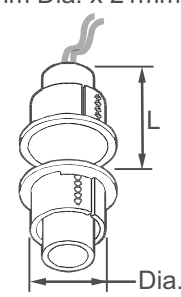
<p>MSS-10CL Recessed Contact</p>  <p>CLOSED LOOP</p>	<p>Specifications Max Current: 0.25A Resistive Max Voltage: 30 VDC Max Power: .25 W Resistive Configuration: "Closed Loop" w/ Target Magnet in Place MAX Gap: 3/8" [9.7mm] Conductor: #22 AWG - 12" [30.5cm] Color(s): Brown, and White</p>	<p>SIZE</p>  <p>0.75" [19.1mm] L</p>
<p>MSS-09CL Recessed Contact</p>  <p>Switch not to be used in steel frames</p>	<p>Specifications Max Current: 0.25A Resistive Max Voltage: 30 VDC Max Power: .25 W Resistive Configuration: "Open Loop" w/ Target Magnet in Place MAX Gap: 1/2" [12.7mm] Conductor: #22 AWG - 12" [30.5cm] Color(s): Brown, and White</p>	<p>SIZE</p>  <p>0.75" [19.1mm] L 0.38 [9.7] Dia.</p>


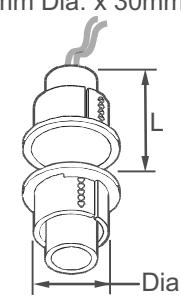
<p>MSS-10CT Recessed Contact</p>  <p>CLOSED LOOP</p>	<p>Specifications Max Current: 0.25A Resistive Max Voltage: 30 VDC Max Power: .25 W Resistive Configuration: "Closed Loop" w/ Target Magnet in Place MAX Gap: 3/8" [9.7mm] Conductor: Screw Terminals Color(s): Brown, and White</p>	<p>SIZE</p>  <p>1.1" [28mm] L</p>
<p>MSS-09CT Recessed Contact</p>  <p>Switch not to be used in steel frames</p>	<p>Specifications Max Current: 0.25A Resistive Max Voltage: 30 VDC Max Power: .25 W Resistive Configuration: "Open Loop" w/ Target Magnet in Place MAX Gap: 1/2" [12.7mm] Conductor: Screw Terminals Color(s): Brown, and White</p>	<p>SIZE</p>  <p>0.75" [19.1mm] L 0.38 [9.7mm] Dia.</p>

<p>MSS-20CL Recessed Contact</p>  <p>CLOSED LOOP</p>	<p>Specifications Max Current: 0.25A Resistive Max Voltage: 30 VDC Max Power: .25 W Resistive Configuration: "Closed Loop" w/ Target Magnet in Place MAX Gap: 3/8" [9.7mm] Conductor: #22 AWG - 12" [30.5cm] Color(s): Brown, Grey and White</p>	<p>SIZE</p>  <p>0.88" [22.4mm] L</p> <p>0.88" [22.4mm] L</p> <p>0.75 [19.1mm] Dia.</p>
<p>MSS-19CL Recessed Contact</p> 	<p>Specifications Max Current: 0.25A Resistive Max Voltage: 30 VDC Max Power: .25 W Resistive Configuration: "Open Loop" w/ Target Magnet in Place MAX Gap: 1/2" [12.7mm] Conductor: #22 AWG - 12" [30.5cm] Color(s): Brown, Grey and White</p>	

<p>MSS-20CT Recessed Contact</p>  <p>CLOSED LOOP</p>	<p>Specifications Max Current: 0.25A Resistive Max Voltage: 30 VDC Max Power: .25 W Resistive Configuration: "Closed Loop" w/ Target Magnet in Place MAX Gap: 3/8" [9.7mm] Conductor: Screw Terminals Color(s): Brown, Grey and White</p>	<p>SIZE</p>  <p>0.88" [22.4mm] L</p> <p>0.88" [22.4mm] L</p> <p>0.75 [19.1mm] Dia.</p>
<p>MSS-19CT Recessed Contact</p> 	<p>Specifications Max Current: 0.25A Resistive Max Voltage: 30 VDC Max Power: .25 W Resistive Configuration: "Open Loop" w/ Target Magnet in Place MAX Gap: 1/2" [12.7mm] Conductor: Screw Terminals Color(s): Brown, Grey and White</p>	

<p>MSS-26CL Recessed Contact</p>  <p style="text-align: right; transform: rotate(-45deg);">CLOSED LOOP</p>	<p>Specifications Max Current: 0.25A Resistive Max Voltage: 30 VDC Max Power: .25 W Resistive Configuration: "Closed Loop" w/ Target Magnet in Place MAX Gap: 3/8" [9.7mm] Conductor: #22 AWG - 12" [30.5cm] Color(s): Brown, Grey and White</p>	<p>SIZE</p> 
<p>MSS-25CL Recessed Contact</p> 	<p>Specifications Max Current: 0.25A Resistive Max Voltage: 30 VDC Max Power: .25 W Resistive Configuration: "Open Loop" w/ Target Magnet in Place MAX Gap: 1/2" [12.7 mm] Conductor: #22 AWG - 12" [30.5cm] Color(s): Brown, Grey and White</p>	

<p>MSS-19C Open Loop Recessed Contact</p> 	<p>SIZE 3/4" Dia. x .88" L [20mm Dia. x 21mm L]</p> 	<p>MAX Gap 1/2" [12.7mm]</p>	<p>Specifications Max Current: 0.25A Resistive Max Voltage: 30 VDC Max Power: .25 W Resistive Configuration: "Open Loop" w/ Target Magnet in Place</p>
		<p>Color(s) White</p>	<p>#22 AWG 12" [30.5cm] Leads</p>

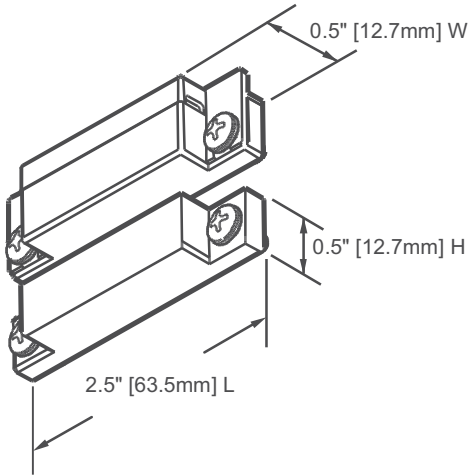
<p>MSS-25C Open Loop Recessed Contact</p> 	<p>SIZE 1" Dia. x 1.2" L [25mm Dia. x 30mm L]</p> 	<p>MAX Gap 1/2" [12.7mm]</p>	<p>Specifications Max Current: 0.25A Resistive Max Voltage: 30 VDC Max Power: .25 W Resistive Configuration: "Open Loop" w/ Target Magnet in Place</p>
		<p>Color(s) White</p>	<p>#22 AWG 12" [30.5cm] Leads</p>

MSS-K24
Surface Mount Contact



Specifications
Max Current: **0.25A** Resistive
Max Voltage: **30 VDC**
Max Power: **.25 W** Resistive
Configuration: "**Closed Loop**" w/ Target Magnet in Place
MAX Gap: **3/8" [9.7mm]**
Conductor: **Screw**
Terminals
Color(s): **Brown, Grey and White**

SIZE



MSS-K22
Surface Mount Contact



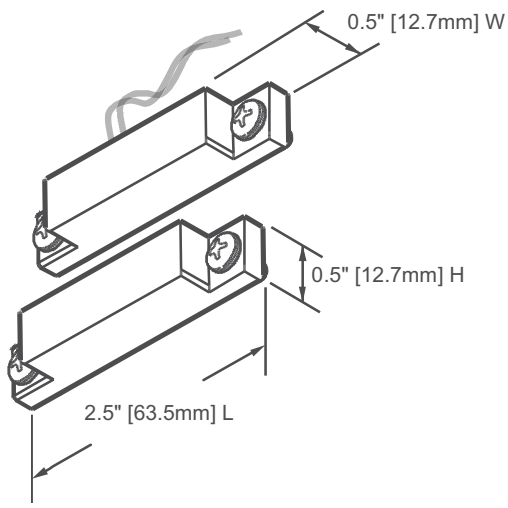
Specifications
Max Current: **0.25A** Resistive
Max Voltage: **30 VDC**
Max Power: **.25 W** Resistive
Configuration: "**Open Loop**" w/ Target Magnet in Place
MAX Gap: **1/2" [12.7mm]**
Conductor: **Screw**
Terminals
Color(s): **Brown, Grey and White**

MSS-K24S
Surface Mount Contact



Specifications
Max Current: **0.25A** Resistive
Max Voltage: **30 VDC**
Max Power: **.25 W** Resistive
Configuration: "**Closed Loop**" w/ Target Magnet in Place
MAX Gap: **3/8" [9.7mm]**
Conductor: **#22 AWG - 12" [30.5cm] Leads**
Color(s): **Brown, Grey and White**


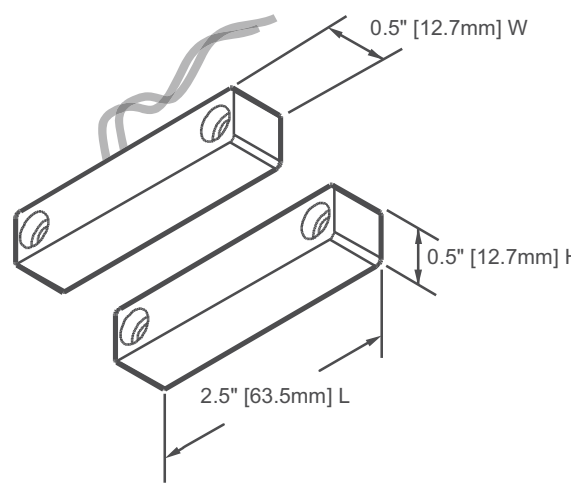

SIZE

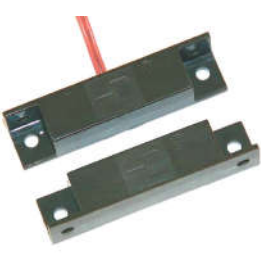
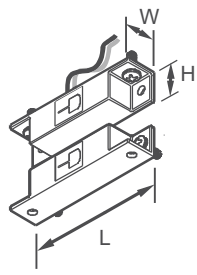


MSS-K22S
Surface Mount Contact

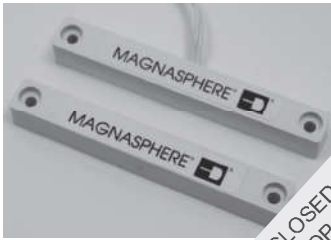
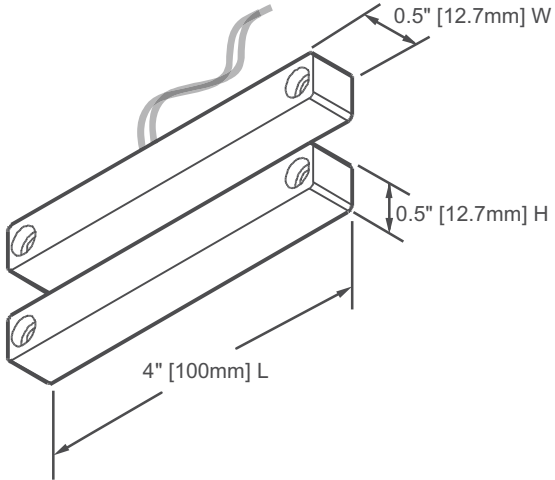
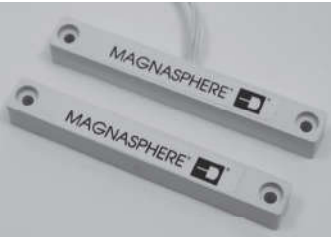


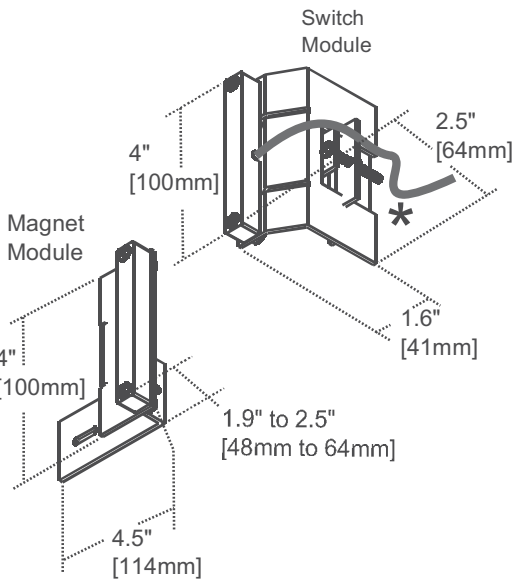
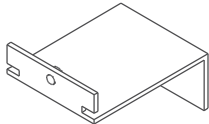
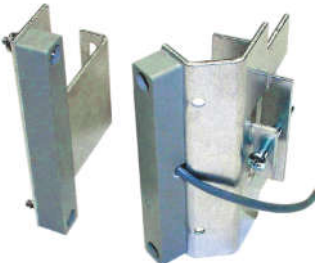
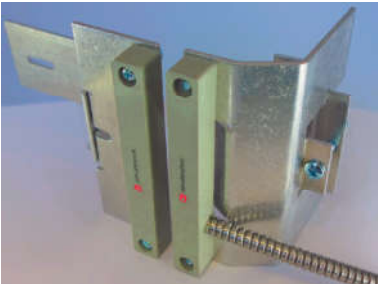
Specifications
Max Current: **0.25A** Resistive
Max Voltage: **30 VDC**
Max Power: **.25 W** Resistive
Configuration: "**Open Loop**" w/ Target Magnet in Place
MAX Gap: **1/2" [12.7mm]**
Conductor: **#22 AWG - 12" [30.5cm] Leads**
Color(s): **Brown, Grey and White**

<p>MSS-54SL Surface Mount Contact</p>  <p>CLOSED LOOP</p>	<p>Specifications Max Current: 0.25A Resistive Max Voltage: 30 VDC Max Power: .25 W Resistive Configuration: "Closed Loop" w/ Target Magnet in Place MAX Gap: 3/8" [9.7mm] Conductor: 12" Jacketed Leads Color(s): Brown, Grey and White</p>	<p>SIZE</p> 
<p>MSS-53SL Surface Mount Contact</p> 	<p>Specifications Max Current: 0.25A Resistive Max Voltage: 30 VDC Max Power: .25 W Resistive Configuration: "Open Loop" w/ Target Magnet in Place MAX Gap: 1/2" [12.7mm] Conductor: 12" Jacketed Leads Color(s): Brown, Grey and White</p>	


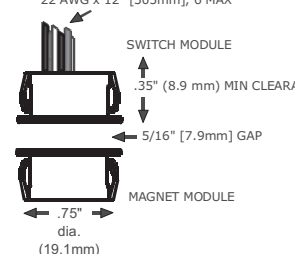
<p>MSS-63S Open Loop Surface Mount Contact</p> 	<p>SIZE 2.5"L x .55"W x .55"H [64mm L x 14mm W x 14mm H]</p> 	<p>MAX Gap 1/2" [12.7mm]</p>	<p>Specifications Max Current: 0.25A Resistive Max Voltage: 30 VDC Max Power: .25 W Resistive Configuration: "Open Loop" w/ Target Magnet in Place</p>
		<p>Color(s) Brown and White</p>	<p>#22 AWG 12" [30.5cm] Leads</p>

see page 15 for accessories

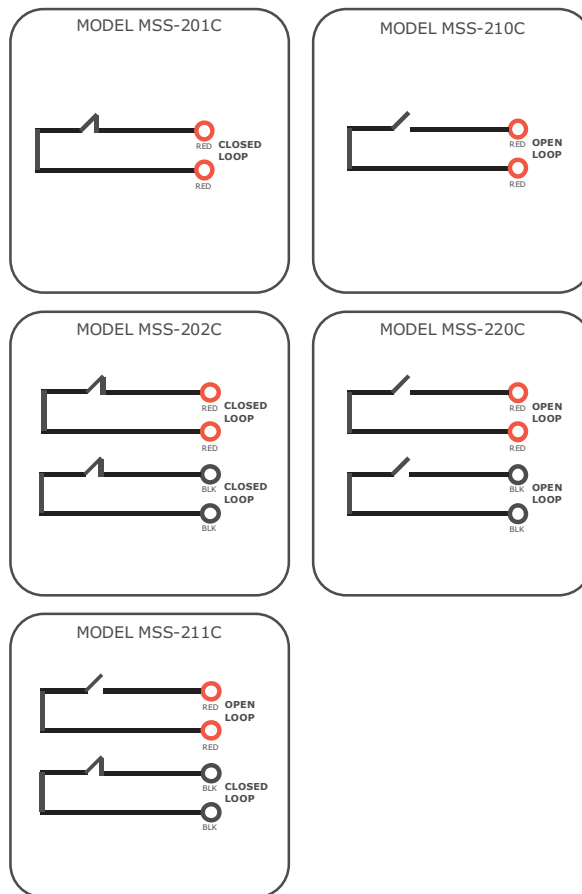
<p>MSS-88SL Surface Mount Contact</p>  <p><i>CLOSED LOOP</i></p>	<p>Specifications Max Current: 0.25A Resistive Max Voltage: 30 VDC Max Power: .25 W Resistive Configuration: "Closed Loop" w/ Target Magnet in Place MAX Gap: 3/8" [9.7mm] Conductor: 12" Jacketed Leads Color(s): Brown, Grey and White</p>	<p>SIZE</p> 
<p>MSS-89SL Surface Mount Contact</p> 	<p>Specifications Max Current: 0.25A Resistive Max Voltage: 30 VDC Max Power: .25 W Resistive Configuration: "Open Loop" w/ Target Magnet in Place MAX Gap: 1/2" [12.7mm] Conductor: 12" Jacketed Leads Color(s): Brown, Grey and White</p>	

<p>4" Overhead Door Contacts Available in Jacketed and Armored Leads</p>		<p>SIZE</p>  <p>Switch Module</p> <p>Magnet Module</p> <p>* Accessory P/N : 1788 extended clamping bracket allows any OHD kit to hold 4" rails</p> 
<p>MSS-106S (60" Jacketed Leads)</p> <p>MSS-106S-C18-L2 (18" Armored Cable)</p> <p>MSS-106S-C36-L3.5 (36" Armored Cable)</p> <p><i>CLOSED LOOP</i></p>	<p>Specifications Max Current: 0.25A Resistive Max Voltage: 30 VDC Max Power: .25 W Resistive Configuration: "Closed Loop" w/ Target Magnet in Place MAX Gap: 3/8" [9.7mm] Conductor: 22 AWG Color(s): Grey</p>	
<p>MSS-105S (60" Jacketed Leads)</p> <p>MSS-105S-C18-L2 (18" Armored Cable)</p> <p>MSS-105S-C36-L3.5 (36" Armored Cable)</p>	<p>Specifications Max Current: 0.25A Resistive Max Voltage: 30 VDC Max Power: .25 W Resistive Configuration: "Open Loop" w/ Target Magnet in Place MAX Gap: 1/2" [12.7mm] Conductor: 22 AWG Color(s): Grey</p>	
<p>Jacketed Leads Model</p> 	<p>Armored Cable Model</p> 	

MSS-200C and MSS-200C-FIRE Series (Recessed)

	<p>NOMENCLATURE</p> <p>Concealed</p> <p># of open loops</p> <p>MSS - 2 x x C</p> <p>Double loop capacity</p> <p># of closed loops</p>	<p>SIZE</p> <p>22 AWG x 12" [305mm], 6 MAX</p>  <p>SWITCH MODULE</p> <p>.35" (8.9 mm) MIN CLEARANCE</p> <p>5/16" [7.9mm] GAP</p> <p>MAGNET MODULE</p> <p>.75" dia. (19.1mm)</p> <p>MAX Gap 5/16" [7.9mm]</p>	<p>Specifications</p> <p>Max Current: 0.25A Resistive Max Voltage: 30 VDC Max Power: .25 W Resistive Suitable for outdoor use</p> <hr/> <p>Leads: 22 AWG 12" [30.5cm] Housing Color: White, Gray and Brown</p>
--	--	---	---

NOTE: CONTACT STATE SHOWN WITH TARGET MAGNET IN PLACE



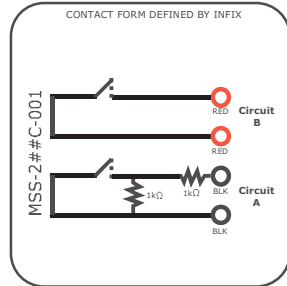
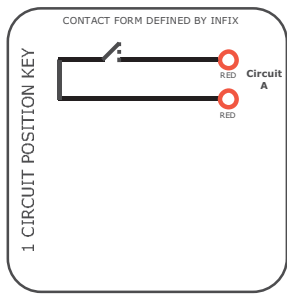
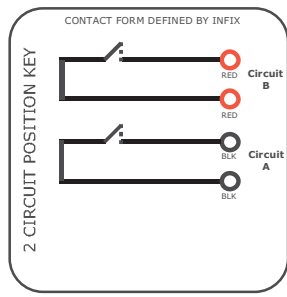
see page 15 for accessories

* To Order the UL10C classified/listed contacts (misc. fire door accessories, positive pressure tested.) add -FIRE suffix to the part number. MSS-200C-FIRE series is rated at 3 hours.

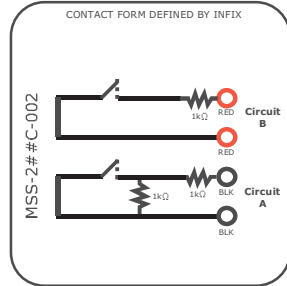
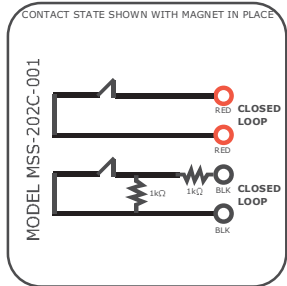


MSS-200C and MSS-200C-FIRE Continued
 NOTE: CONTACT STATE SHOWN WITH TARGET MAGNET IN PLACE

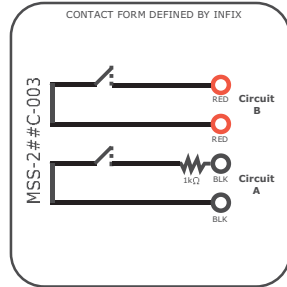
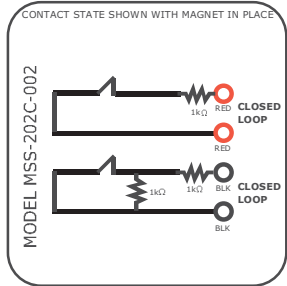
End-Of-Line Resistor Standard Models (-### suffix)



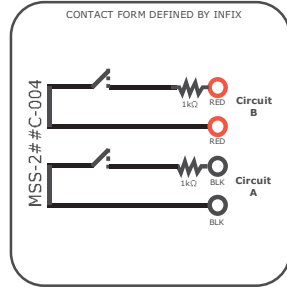
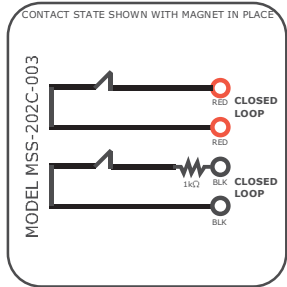
MSS-2##C-001:
 Series & Parallel 1k resistors on circuit A.
 One instance shown at right:



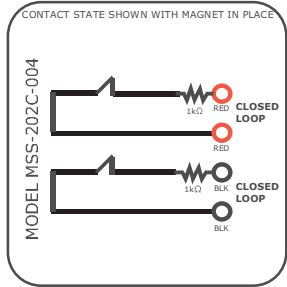
MSS-2##C-002:
 Series & Parallel 1k resistors on circuit A,
 Series 1k resistor on Circuit B. One instance shown at right:



MSS-2##C-003:
 Series 1k resistor on Circuit A. One instance shown at right:



MSS-2##C-004:
 Series 1k resistor on Circuit A and on Circuit B. One instance shown at right:




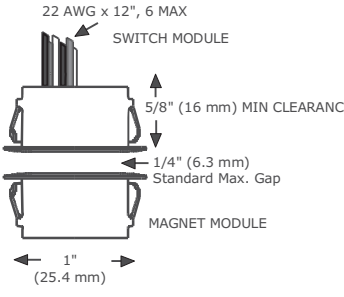
see page 15 for accessories

call to verify the proposed part number (+1 262-347-0711)

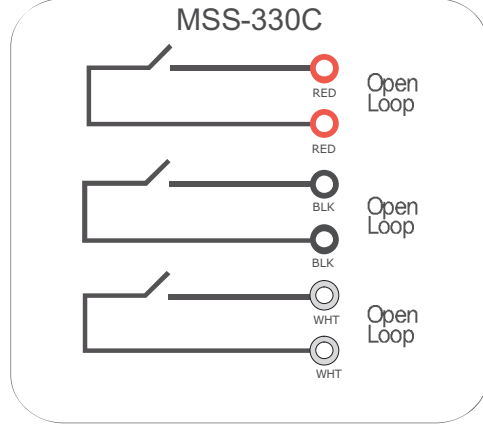
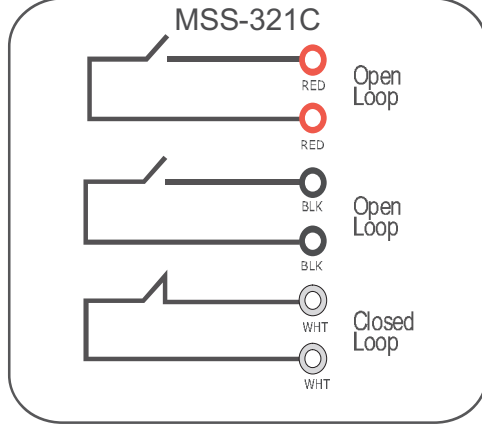
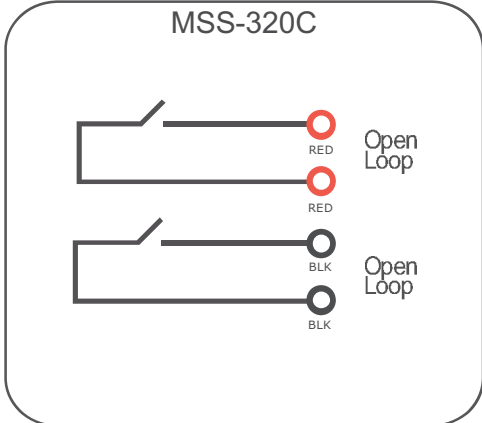
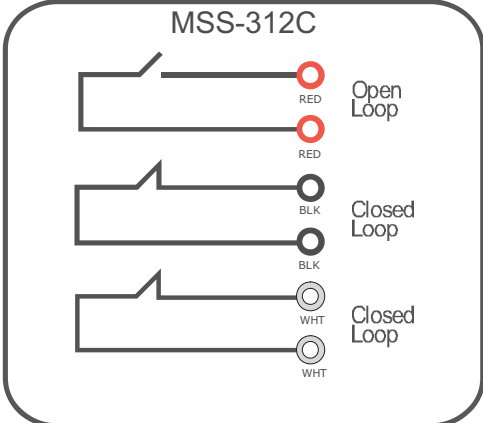
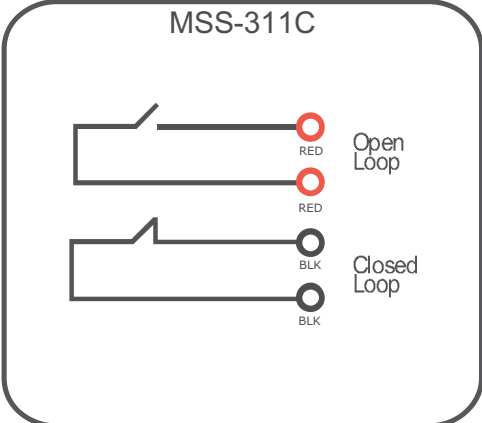
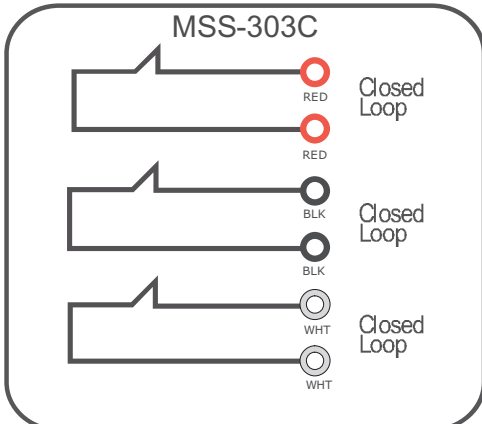
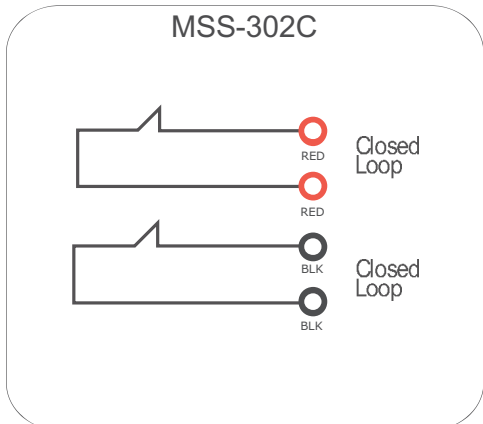
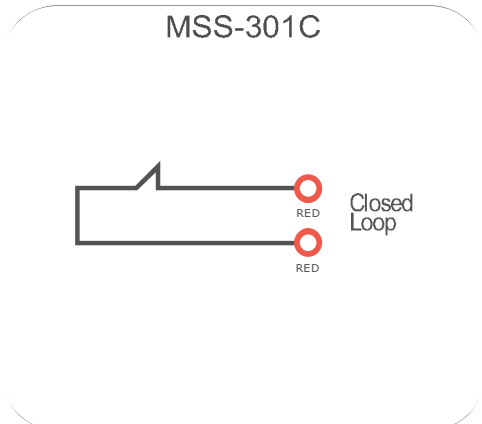
* To Order the UL10C classified/listed contacts (misc. fire door accessories, positive pressure tested.) add -FIRE suffix to the part number. MSS-200C-FIRE series is rated at 3 hours.

MSS-300C Series (Recessed)



 <p>NEW</p> <p>For wide gap models (5/8" min. gap) add the -WG suffix, example: MSS-301C-WG</p>	<p>NOMENCLATURE</p> <p>Concealed</p> <p># of open loops</p> <p>MSS - 3 x x C</p> <p>Triple loop capacity</p> <p># of closed loops</p>	<p>SIZE</p> 	<p>Specifications</p> <p>Max Current: 0.25A Resistive Max Voltage: 30 VDC Max Power: .25 W Resistive Suitable for outdoor use</p> <hr/> <p>Leads: 22 AWG 12" [30.5cm] Housing Color: Black, White, Gray and Brown</p>
--	--	---	---

NOTE: CONTACT STATE SHOWN WITH TARGET MAGNET IN PLACE



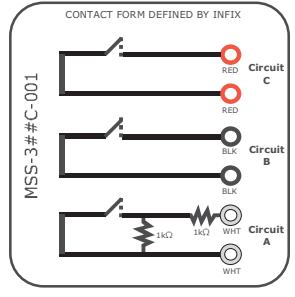
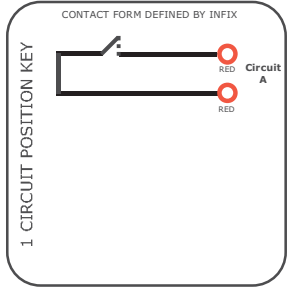
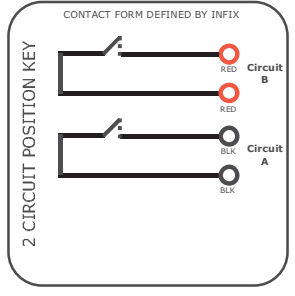
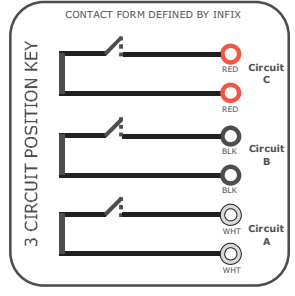
see pages 15 & 16 for accessories

* To Order the UL10C classified/listed contacts (misc. fire door accessories, positive pressure tested.) add -FIRE suffix to the part number. MSS-300C-FIRE series is rated at 3 hours.

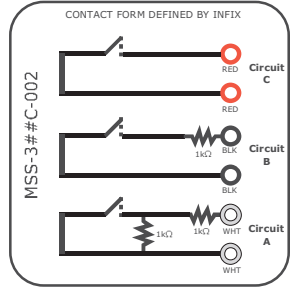
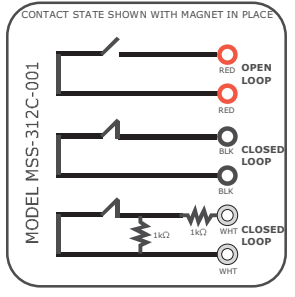
MSS-300C Series - End-Of-Line Resistor Standard Models (### suffix)



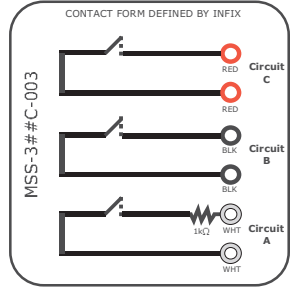
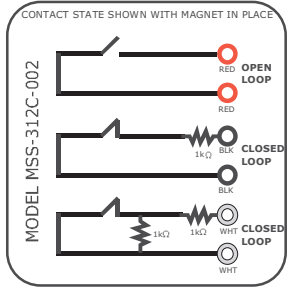
For wide gap models (5/8" min. gap) add the **-WG** suffix, example: MSS-301C-001-**WG**



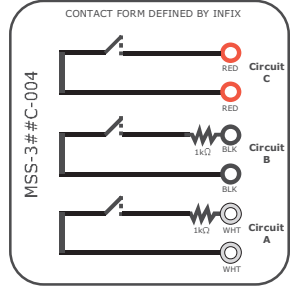
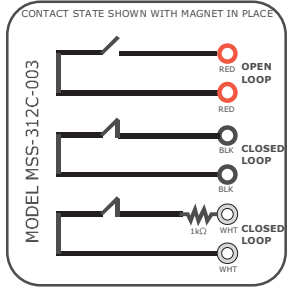
MSS-3##C-001:
Series & Parallel 1k resistors on circuit A. One instance shown at right:



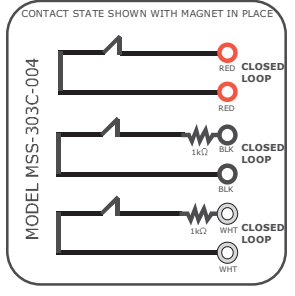
MSS-3##C-002:
Series & Parallel 1k resistors on circuit A, Series 1k resistor on Circuit B. One instance shown at right:



MSS-3##C-003:
Series 1k resistor on Circuit A. One instance shown at right:



MSS-3##C-004:
Series 1k resistor on Circuit A and on Circuit B. One instance shown at right:



see pages 15 & 16 for accessories

call to verify the proposed part number (+1 262-347-0711)

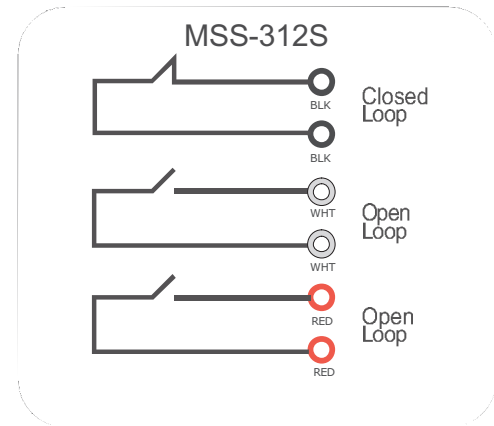
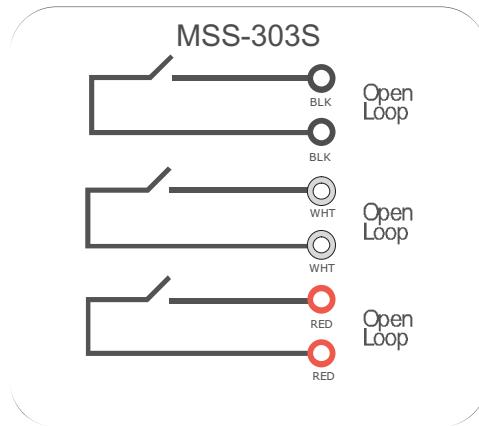
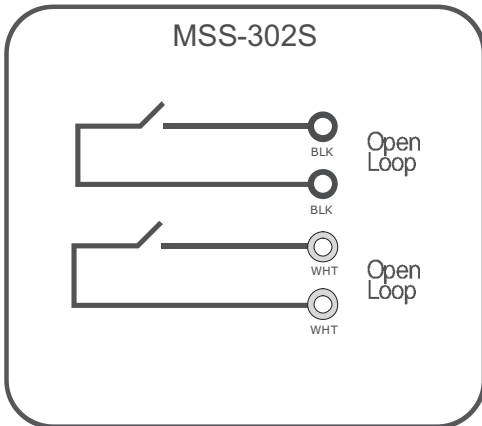
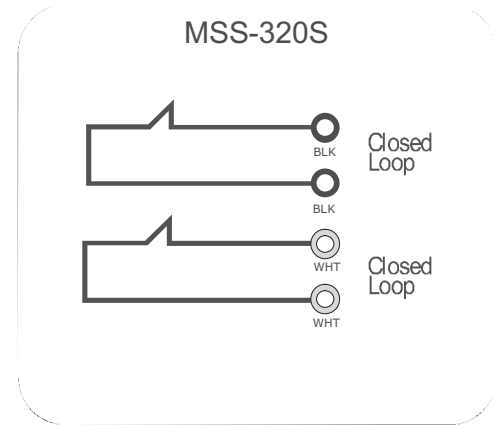
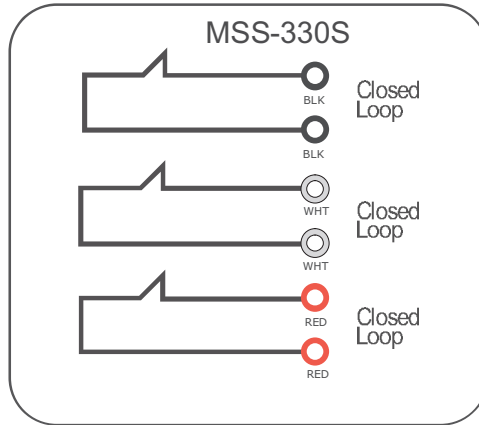
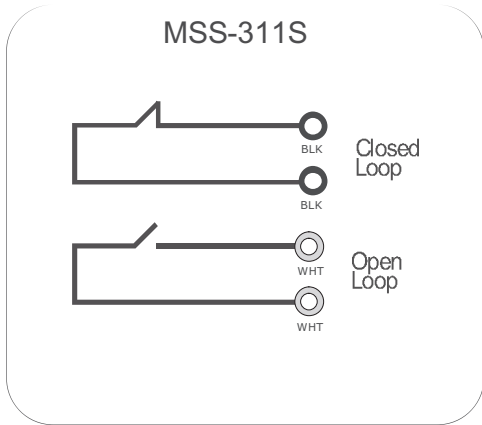
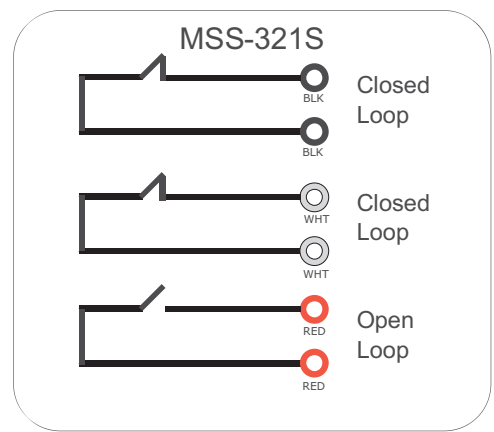
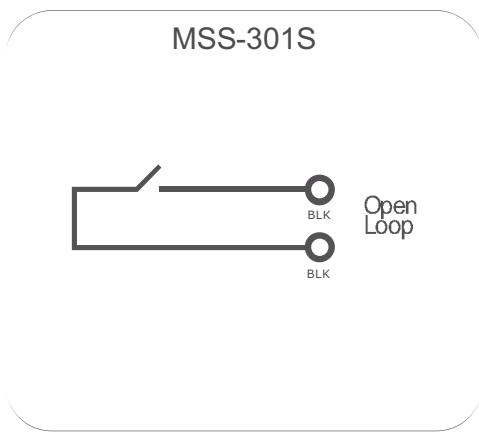
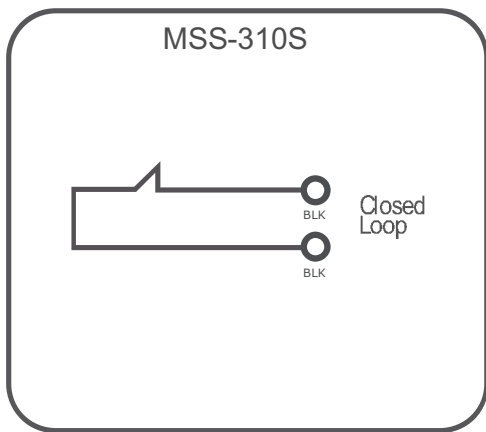
* To Order the UL10C classified/listed contacts (misc. fire door accessories, positive pressure tested.) add **-FIRE** suffix to the part number. MSS-300C-FIRE series is rated at 3 hours.

MSS-300S Series (Surface Mount)



	<p>NOMENCLATURE</p> <p>Surface mount</p> <p># of closed loops</p> <p>MSS - 3 x x S</p> <p>Triple loop capacity</p> <p># of open loops</p>	<p>SIZE</p>	<p>Specifications</p> <p>Max Current: 0.25A Resistive Max Voltage: 30 VDC Max Power: .25 W Resistive Max Gap: .3" [7mm] Suitable for outdoor use</p> <hr/> <p>22 AWG - 24" [61cm] Armored Cable Housing: Aluminum See Page 41 for Custom Cable Length</p>
--	--	--------------------	---

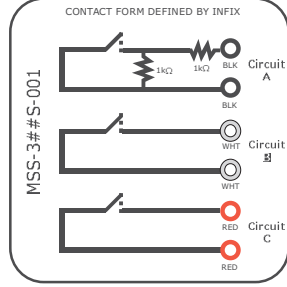
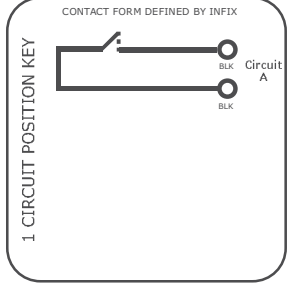
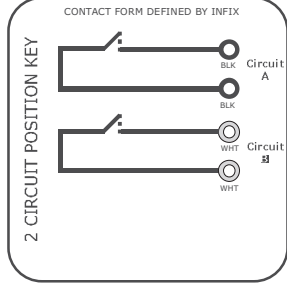
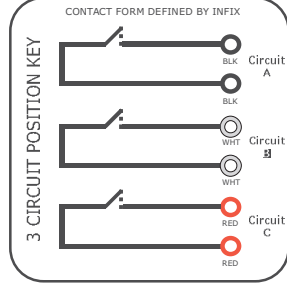
NOTE: CONTACT STATE SHOWN WITH TARGET MAGNET IN PLACE



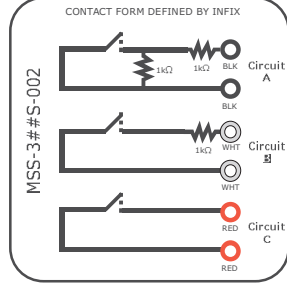
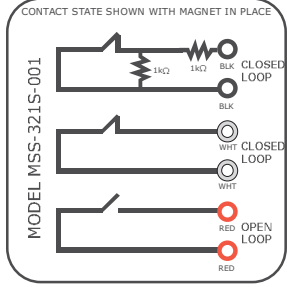
see page 15 for accessories

* To Order the UL10C classified/listed contacts (misc. fire door accessories, positive pressure tested.) add -FIRE suffix to the part number. MSS-300S-FIRE series is rated at 3 hours.

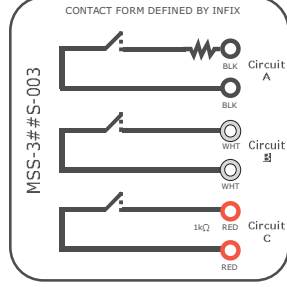
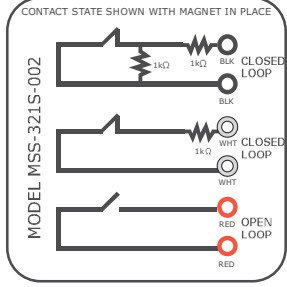
End-Of-Line Resistor Standard Models (### suffix)



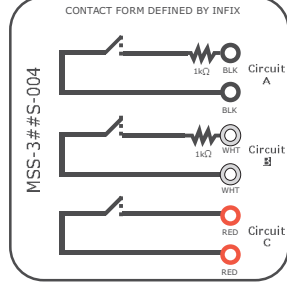
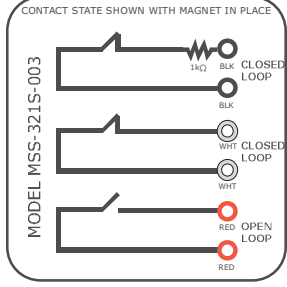
MSS-3##S-001:
 Series & Parallel 1k resistors on circuit A. One instance shown at right:



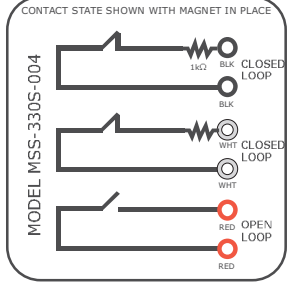
MSS-3##S-002:
 Series & Parallel 1k resistors on circuit A, Series 1k resistor on Circuit B. One instance shown at right:



MSS-3##S-003:
 Series 1k resistor on Circuit A. One instance shown at right:



MSS-3##S-004:
 Series 1k resistor on Circuit A and on Circuit B. One instance shown at right:


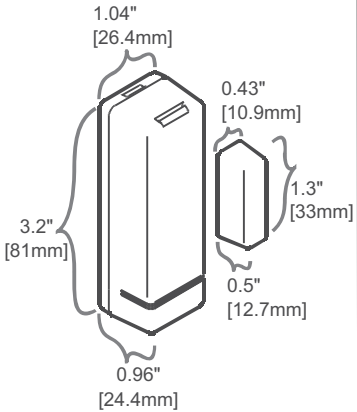


see page 15 for accessories

call to verify the proposed part number (+1 262-347-0711)

* To Order the UL10C classified/listed contacts (misc. fire door accessories, positive pressure tested.) add -FIRE suffix to the part number. MSS-300S-FIRE series is rated at 3 hours.

MSS-RFS Series Wireless Surface Mount Contact

<p>MSS-RFS-100/200/300 Surface Mount Contact</p> 	<p>SIZE</p> 	<p>MAX Gap</p> <p>0.63" [16 mm]</p>	<p>Specifications Max Current: 0.25A Resistive Max Voltage: 30 VDC Max Power: .25 W Resistive Battery: 3VDC, 1.55Ah, CR123A Lithium Battery</p>
		<p>Color(s)</p> <p>White and Brown</p>	<p>Screw Terminals</p>

COMPATIBLE WITH THESE OEM* FORMATS:

- MSS-RFS-100 = UTC - INTERLOGIX / ITI / ELK
- MSS-RFS-200 = HONEYWELL (available Q2 2014)
- MSS-RFS-300 = 2 GIG (available Q2 2014)

*UTC, Interlogix and ITI are registered trademarks of United Technologies Corporation, Elk is a registered trademark of Elk Products, Inc., Honeywell is a registered trademark of Honeywell International, Inc., 2 GIG is a registered trademark of Nortek, Inc.

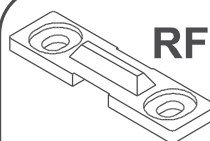
RFS-158# SPACER KIT FOR THE MSS-RFS WIRELESS SERIES

25pc Spacer Kit

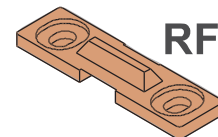
WHITE

BROWN

2mm
.079"

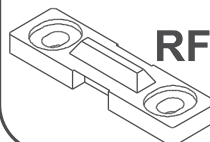


RFS-1586

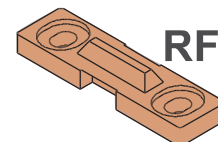


RFS-1587

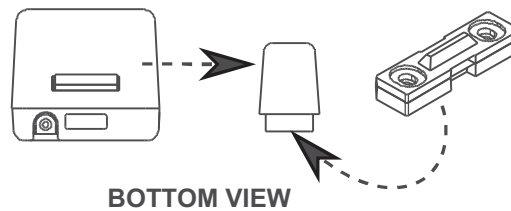
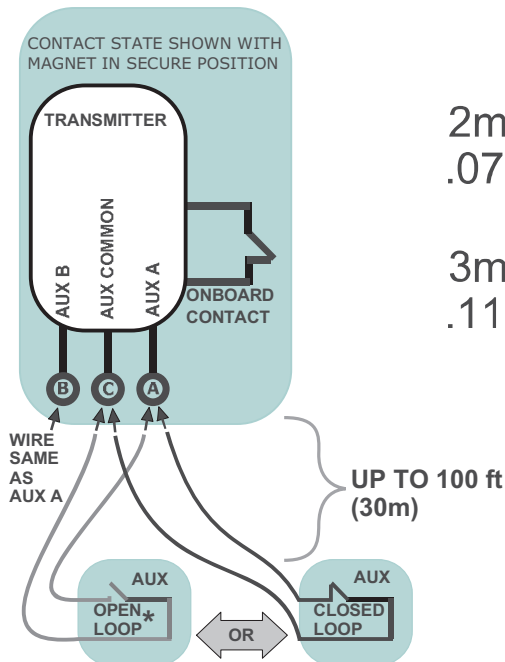
3mm
.118"



RFS-1588

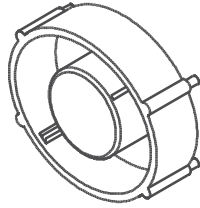


RFS-1589

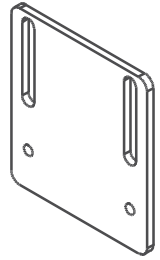


MSS Series Accessories and Kits

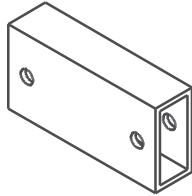
P/N : MSS-1605
DESCRIPTION: Channel Magnet
for MSS-200C and MSS-300C
QTY: 1



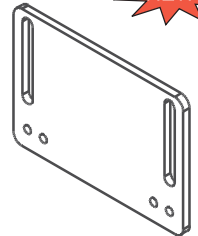
P/N: 1768
DESCRIPTION: MSS-300S
Extension Bracket
(.093" thk) w/ Threaded Holes
Slot CTC: .94"
QTY:1



P/N : MSS-1595
DESCRIPTION: 1/2" Thick,
Spacer for MSS-300S
QTY: 1

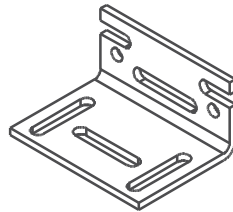


P/N: 1769
DESCRIPTION: MSS-K22, K24, K22S,
K24S, 53SL, 54SL & 63S
Extension Bracket
(.093" thk) w/ Threaded Holes
Slot CTC: .94"
QTY:1



NEW

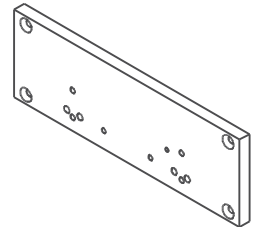
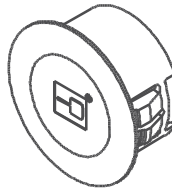
P/N : MSS-1643
DESCRIPTION: MSS-300S - 1"x1.5"L
Bracket (.093" thk) w/ Threaded Holes
QTY: 1



P/N : 1798
KIT: MSS-300S Adapter Plate for BEA
Glass Door Bracket (10UBRACKETUL)
QTY: 1

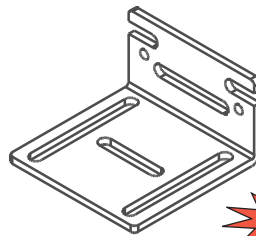
NEW

P/N : MSS-1694
DESCRIPTION: MSS-300C
Extended Reach / Gap Magnet Module
Increases the switch operation gap to 5/8"
QTY: 1



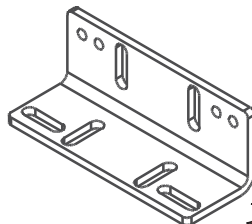
NEW

P/N: 1642
DESCRIPTION: MSS-300S - 1.14"x2"L
Extended L Bracket (.093" thk)
w/ Threaded Holes
QTY:1



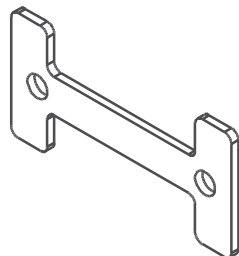
NEW

P/N: 1644
DESCRIPTION: MSS-K22, K24, K22S,
K24S, 53SL, 54SL & 63S - .93"x.93"
L Bracket (.093" thk) w/ Threaded Holes
QTY:1



NEW

P/N : 1767
DESCRIPTION: MSS300S
Aluminum Spacers (1/16" thk)
QTY: 4



NEW

MSS Series Accessories and Kits

P/N: 1757 - (Contact Not Included)
 KIT: MSS-300C Series Recessed Mortise Mount Kit,
 w/ Tamper Resistant Spanner Machine Screws
 QTY: 1 kit (fasteners included)



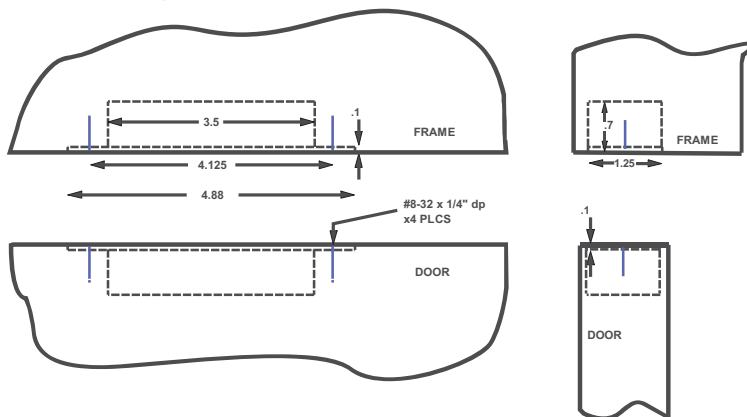
P/N: 1760 - (Contact Not Included)
 KIT: MSS-300C Series Recessed Mortise Mount Kit
 QTY: 1 kit (fasteners included)



P/N: MSS-1790 - (Contact Included)
 KIT: Recessed Mortise Mount Kit
 w/ MSS-301C-W (Form A - Wide Gap)
 QTY: 1 kit (fasteners included)

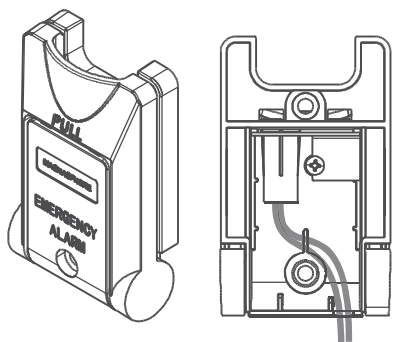


Preparation for 1757, 1760 and MSS-1790 Kit



P/N: MK-3045L
 KIT: Magnasphere Panic Switch Kit
 w/ Leads - Closed Loop
 QTY: 1 kit (fasteners included)

P/N: MK-3045L-OL
 KIT: Magnasphere Panic Switch Kit
 w/ Leads - Open Loop
 QTY: 1 kit (fasteners included)

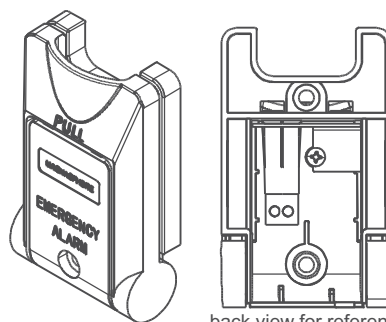


back view for reference
 (cover plate not shown)



P/N: MK-3045T
 KIT: Magnasphere Panic Switch Kit
 w/ Terminals - Closed Loop
 QTY: 1 kit (fasteners included)

P/N: MK-3045T-OL
 KIT: Magnasphere Panic Switch Kit
 w/ Terminals - Open Loop
 QTY: 1 kit (fasteners included)



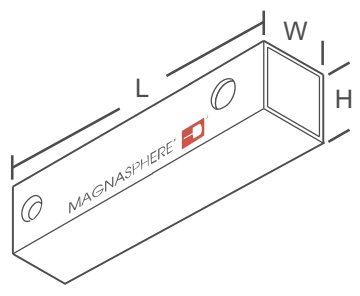
back view for reference
 (cover plate not shown)



HSL-1.5 - UL634 High Security Level 1 Surface Mount Contact



SIZE



4.25" [107.9mm] L x 1" [25.4mm] W
 1" [25.4mm] H

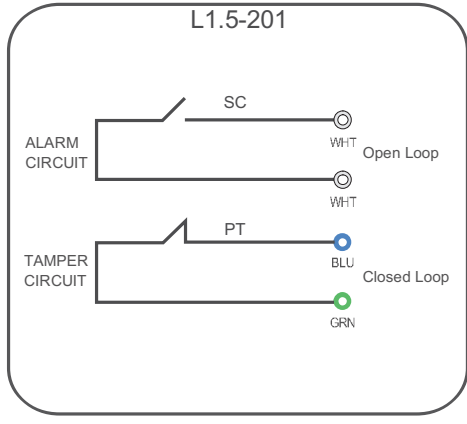
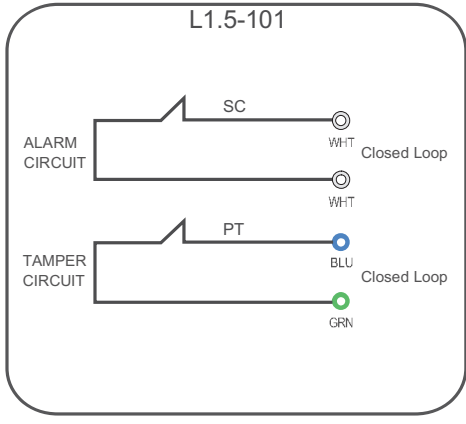
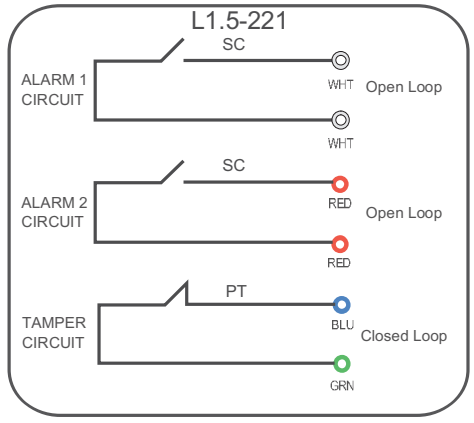
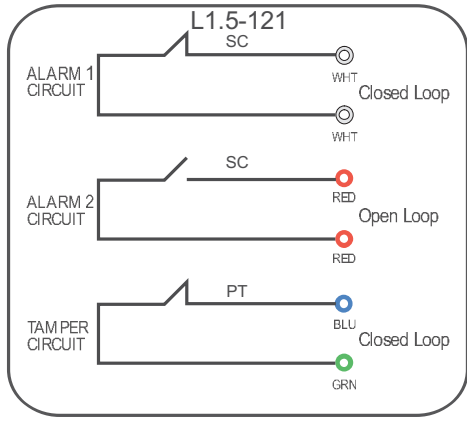
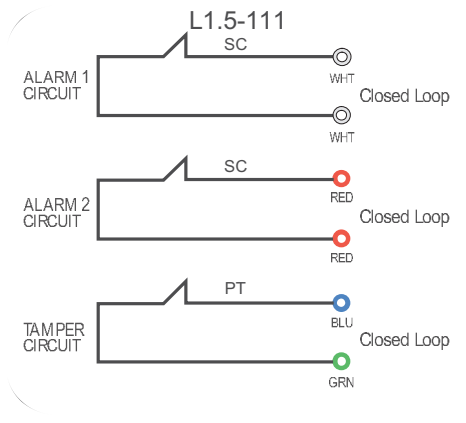
Specifications

Housing: Aluminum
 Wire Lead Type:
 Color-Coded 22 AWG Stranded
 Max Current: 0.25 A Resistive
 Max Voltage: 30 VDC
 Max Power: 0.250 W
 Max Gap: .25"
 18"L Armored Cable
 See Page 41 for
 Custom Cable Length
 Suitable for outdoor use



* To Order the UL10C classified/listed contacts (misc. fire door accessories, positive pressure tested.) add -FIRE suffix to the part number. HS-L1.5-XXX-FIRE series is rated at 45 minutes.

NOTE: CONTACT STATE SHOWN WITH TARGET MAGNET IN PLACE



Legend / Notes

SC = Secure Contact
 PT = Pry Tamper

HSL-1.5 Accessories

P/N : HS-1250
 KIT: Removal Tamper Magnet
 QTY: 3pcs



P/N : HS-1251
 KIT: Removal Tamper Cap
 QTY: 5pcs



P/N : HS-1270
 KIT: 1/16" Plastic Spacers for HSL-1.5
 QTY: 4pcs



P/N : HS-1270-FIRE
 KIT: 1/16" Aluminum Spacers for HSL-1.5
 QTY: 4pcs



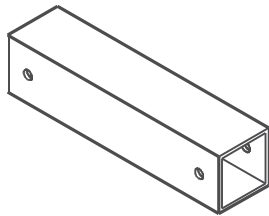
P/N : HS-1600
 KIT: Bracket for HSL1.5 Direct
 Replacment to 2700 Series
 QTY: 1



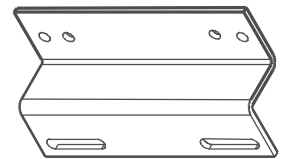
P/N : HS-1524
 KIT: 1/8" Out-Swing Spacer for HS-L1.5
 (For use with narrow door stops.)
 QTY: 1pc



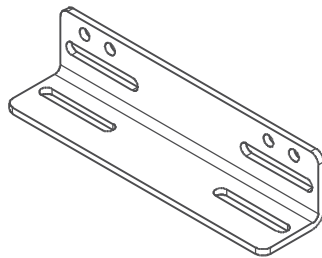
P/N : HS-1615
 KIT: 1" x 1" Aluminum Spacer
 QTY: 1



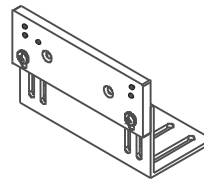
P/N : HS-1612
 KIT: Z Bracket
 QTY: 1



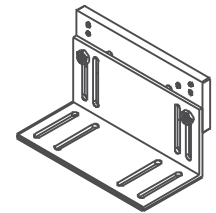
P/N : HS-1618
 KIT: L1.5 L-Bracket
 QTY: 1



P/N : HS-1616
 KIT: L1.5 Extended L-Bracket Kit
 QTY: 1

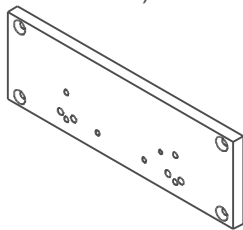


Orthographic Front View



Orthographic Back View

P/N : 1798
 KIT: L1.5 Adapter Plate for BEA
 Glass Door Bracket (10UBRACKETUL)
 QTY: 1



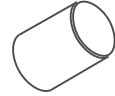
see pages 37 and 38 for Roll-Up and Overhead Door Brackets

REPLACEMENT INSTALLER COMPONENTS FOR HSL-1.5 SERIES - KIT P/N: 1542

Pry-tamper Plugs (Plastic) / Qty: 2



Pry-tamper Magnet (Dia. 3/8" x 1/2" Length) / Qty: 1



Plastic Spacers (1/16" Thk.) / Qty: 2



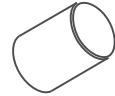
Poly Bag / Qty:1

REPLACEMENT INSTALLER COMPONENTS FOR HSL-1.5-FIRE SERIES - KIT P/N: 1542-FIRE

Pry-tamper Plugs (Plastic) / Qty: 2



Pry-tamper Magnet (Dia. 3/8" x 1/2" Length) / Qty: 1



Aluminum Spacers (1/16" Thk.) / Qty: 2



Poly Bag / Qty:1

HSS-L2S (Single Alarm Contact) UL 634 Level 2 High Security Contacts (Surface Mount)

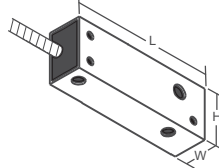


Specifications

Aluminum Case: Silver-Gray Anodized
Wire Lead Type: Color-Coded, 22 AWG Stranded
Max Current: 0.25 A Resistive
Max Voltage: 30 VDC
Max Power: 0.250 W
Operating Temperature: -40° C to +80° C
Max Gap: 3/16" (Note: .125" Gap for UL634 Level 2 Installation)
 36" [91cm] Armored Cable, see page 41 for custom cable length
 Suitable for outdoor use



* To Order the UL10C classified/listed contacts (misc. fire door accessories, positive pressure tested.) add -FIRE suffix to the part number. HSS-L2S/D-XXX-FIRE series is rated at 20 minutes.

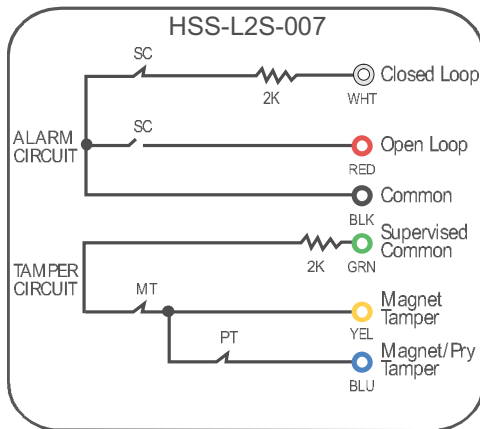
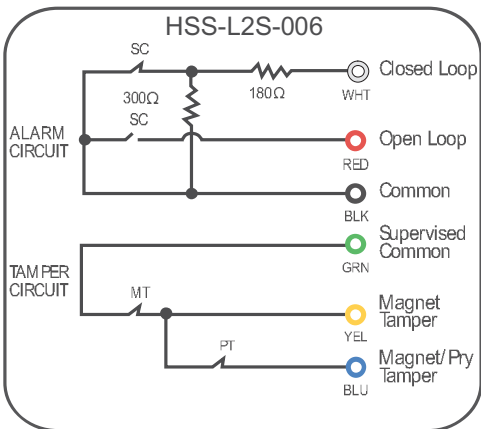
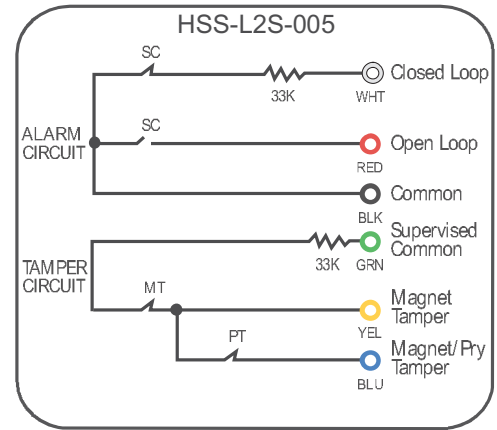
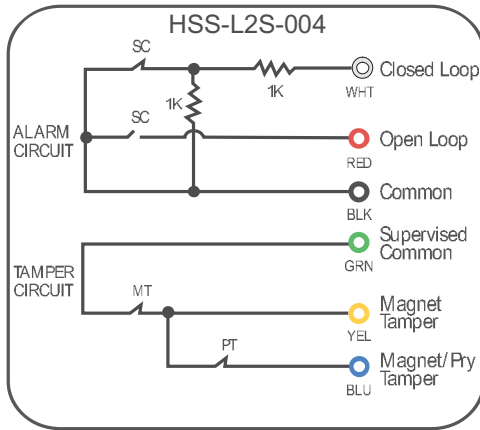
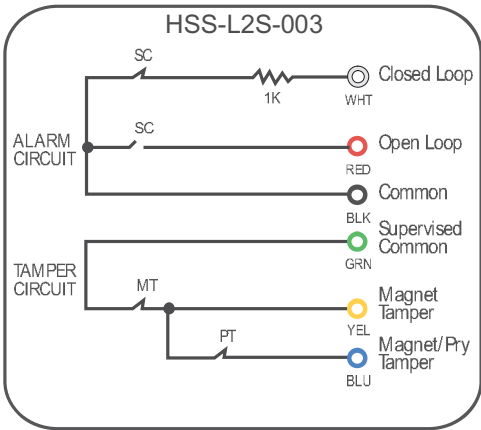
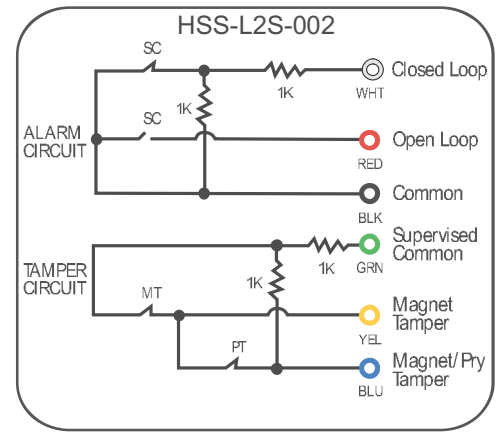
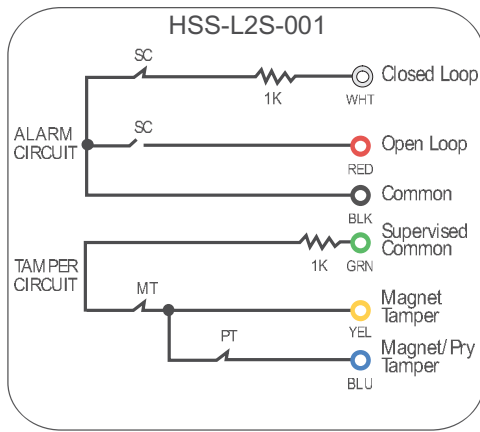
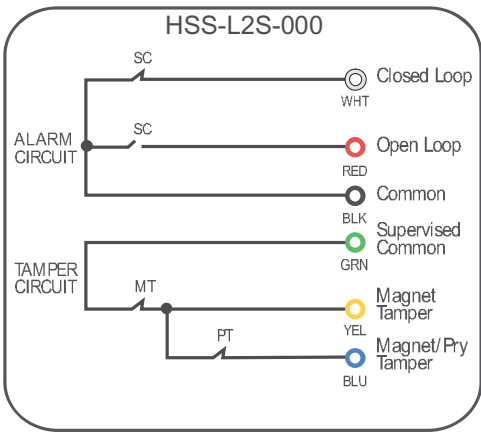


SIZE

4.25"L x 1"W x 1.5"H

[107.9mm L x 25.4mm W x 38.1mm H]

NOTE: CONTACT STATE SHOWN WITH TARGET MAGNET IN PLACE



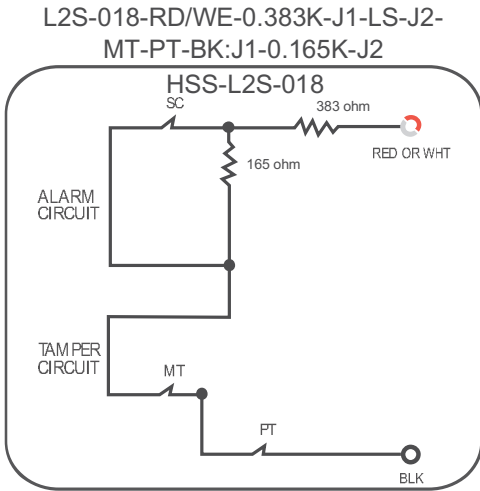
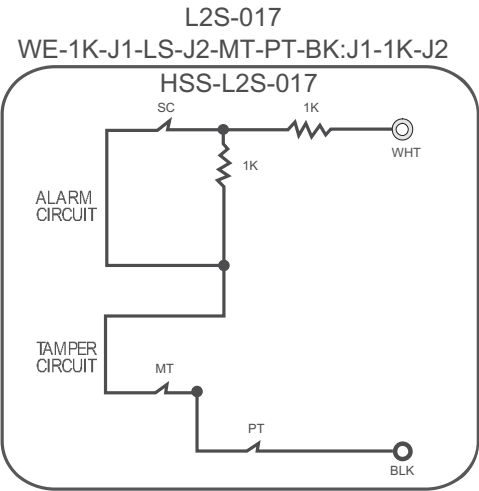
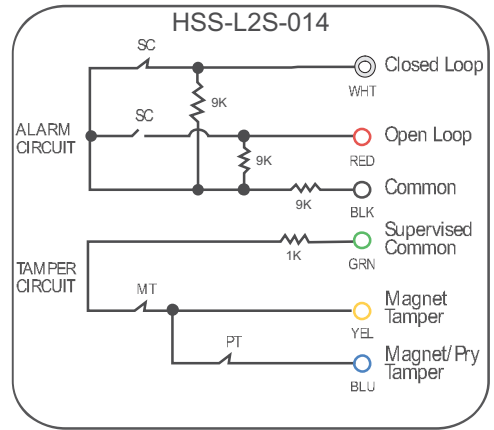
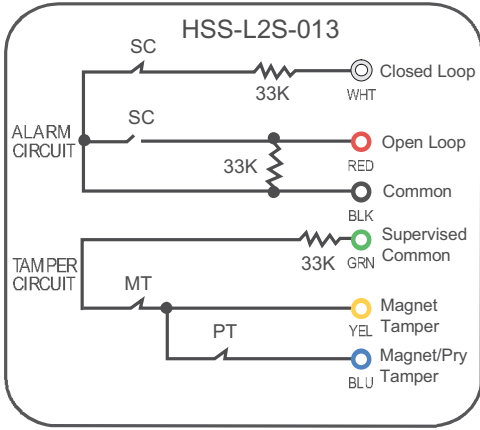
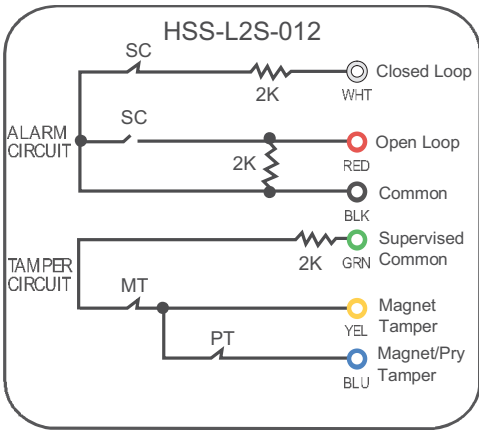
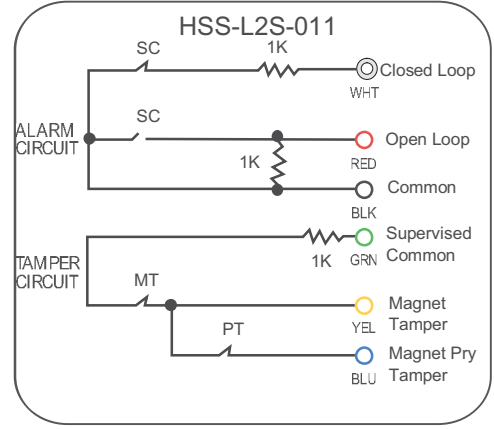
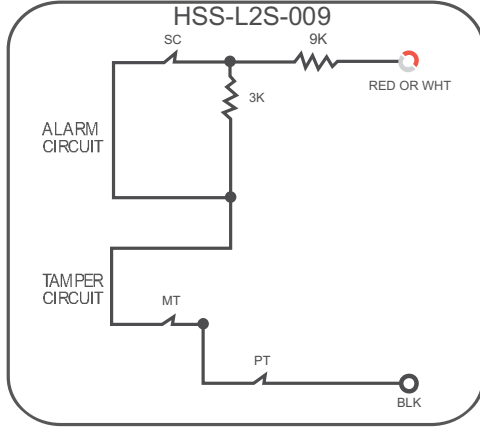
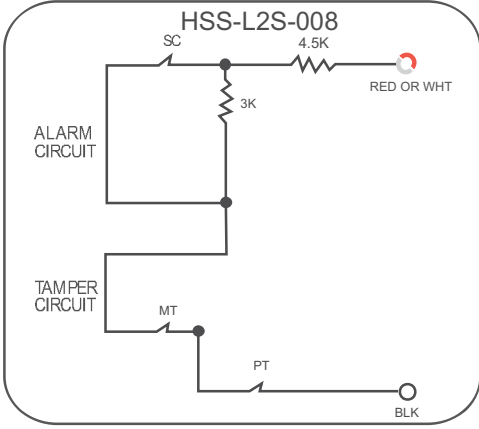
Legend / Notes

SC = Secure Contact
 MT = Magnet Tamper
 PT = Pry Tamper
 ##K = Resistor

HSS-L2S (Single Alarm Contact) *Continued*

UL 634 Level 2 High Security Contacts (Surface Mount)

NOTE: CONTACT STATE SHOWN WITH TARGET MAGNET IN PLACE



Legend

SC = Secure Contact
 MT = Magnet Tamper
 PT = Pry Tamper
 ##K= Resistor

36" [91cm] armored cable,
 (See Page 41 for Custom
 Cable Length)



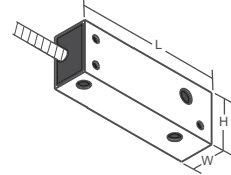
* To Order the UL10C classified/listed contacts (misc. fire door accessories, positive pressure tested.) add -FIRE suffix to the part number. HSS-L2S/D-XXX-FIRE series is rated at 20 minutes.

HSS-L2D (Dual Alarm Contacts) UL 634 Level 2 High Security Contacts (Surface Mount) LISTED



Specifications

Aluminum Case: Silver-Gray Anodized
Wire Lead Type: Color-Coded, 22 AWG Stranded
Max Current: 0.25 A Resistive
Max Voltage: 30 VDC
Max Power: 0.250 W
Operating Temperature: -40° C to +80°C
Max Gap: 3/16" (Note: .125" Gap for UL634 Level 2 Installation)
 36" [91cm] Armored Cable, see page 41 for custom cable length
 Suitable for outdoor use



SIZE

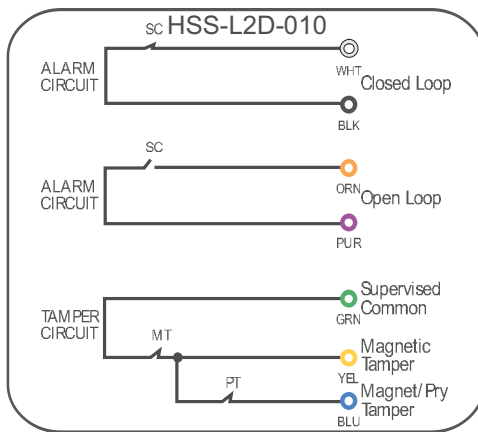
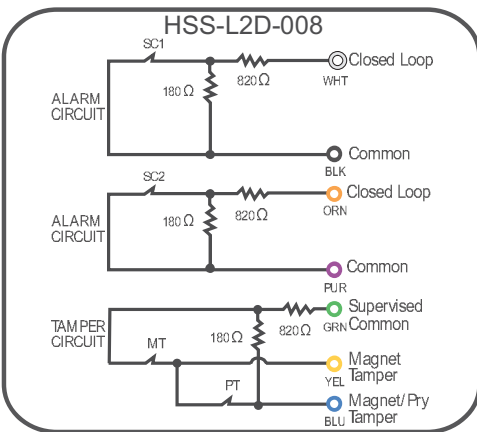
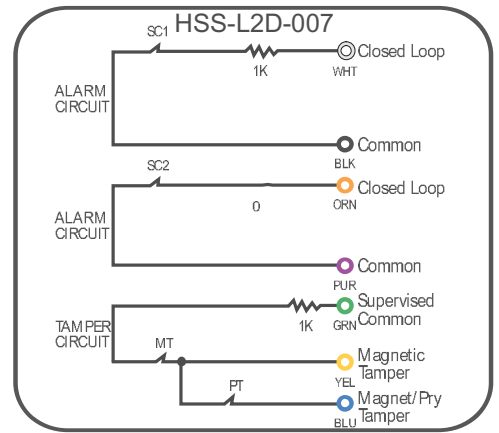
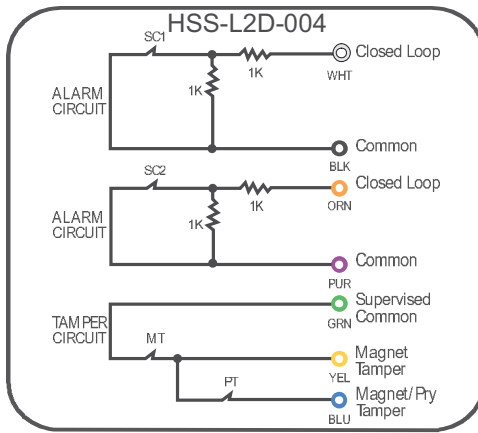
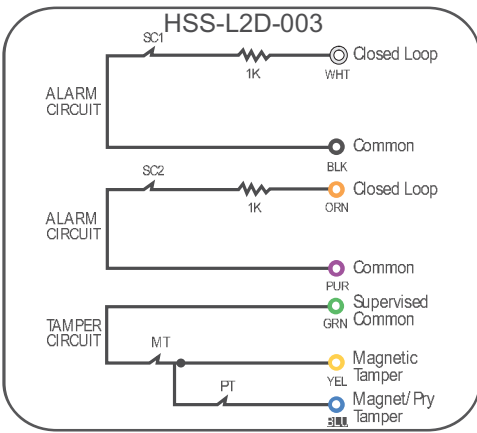
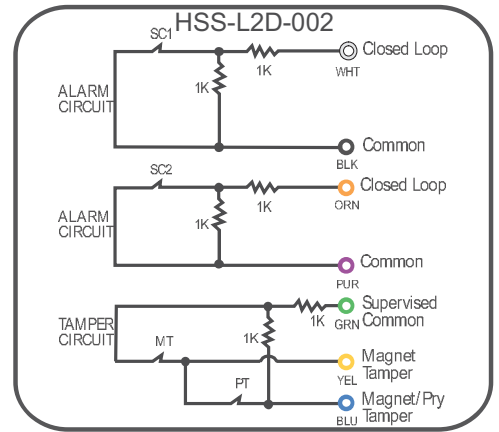
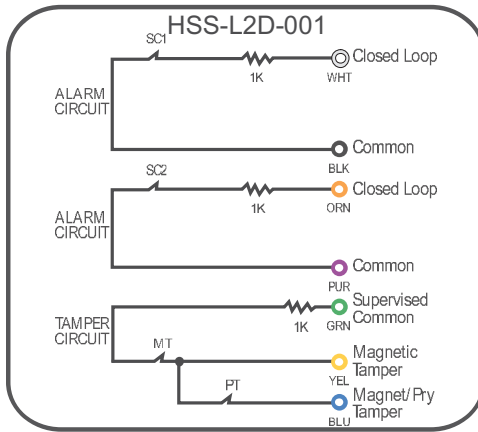
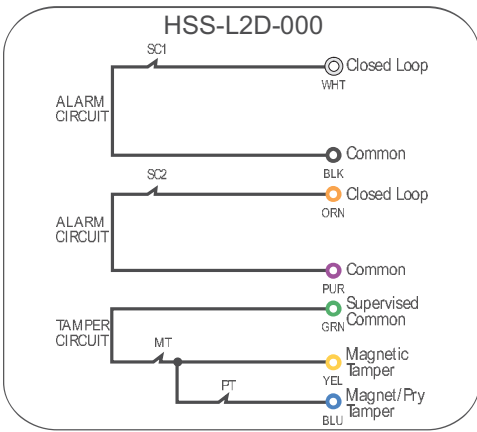
4.25"L x 1"W x 1.5"H

[107.9mm L x 25.4mm W x 38.1mm H]



* To Order the UL10C classified/listed contacts (misc. fire door accessories, positive pressure tested.) add -FIRE suffix to the part number. HSS-L2S/D-XXX-FIRE series is rated at 20 minutes.

NOTE: CONTACT STATE SHOWN WITH TARGET MAGNET IN PLACE



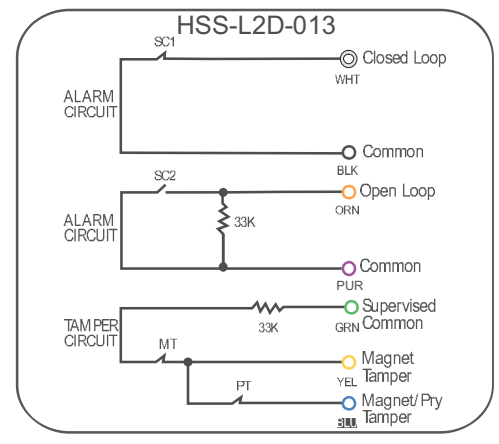
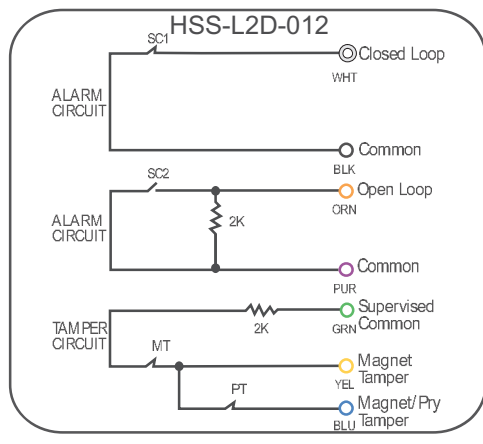
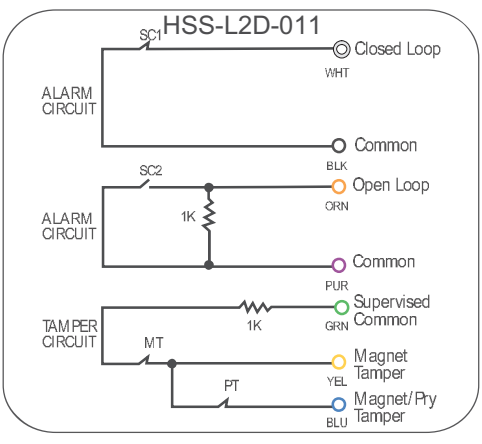
Legend / Notes

SC = Secure Contact
 MT = Magnet Tamper
 PT = Pry Tamper
 ##K = Resistor

HSS-L2D (Dual Alarm Contacts) Continued

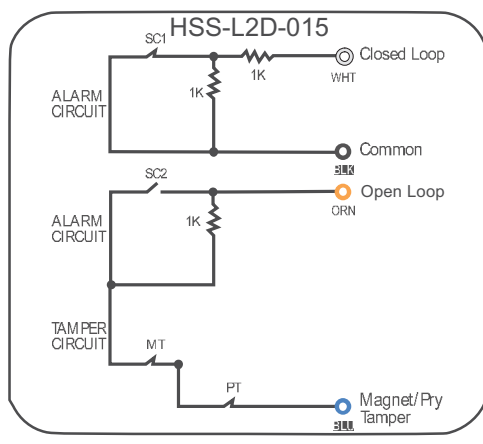
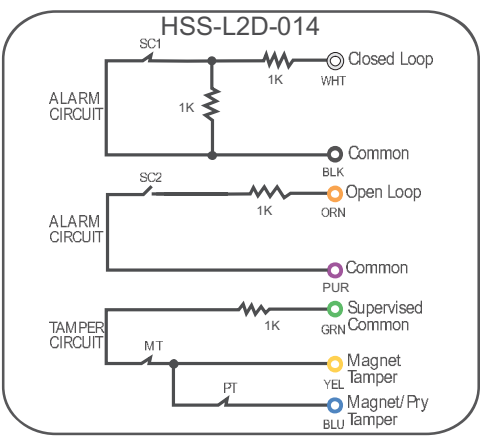
UL 634 Level 2 High Security Contacts (Surface Mount)

NOTE: CONTACT STATE SHOWN WITH TARGET MAGNET IN PLACE



L2D-014-
WE-1K-J1-LS-J2-BK:J1-1K-J2:OE-1K-
LS-PE:GN-1K-MT-J3-YW:J3-PT-BE


L2D-015
WE-1K-J1-LS-J2-BK:J1-1K-J2:OE-
J3-NS-J4-MT-PT-BE:J3-1K-J4



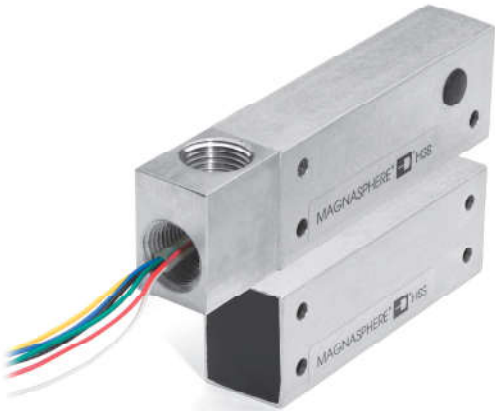
Legend

SC = Secure Contact
 MT = Magnet Tamper
 PT = Pry Tamper
 ##K = Resistor

36" [91cm] Armored Cable,
 (See Page 41 for Custom
 Cable Length)

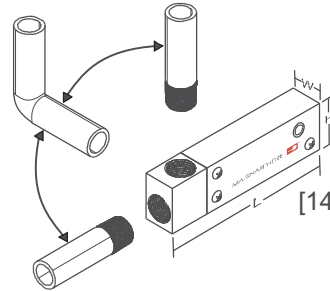
 * To Order the UL10C classified/listed contacts (misc. fire door accessories, positive pressure tested,) add -FIRE suffix to the part number. HSS-L2S/D-XXX-FIRE series is rated at 20 minutes.

HSS 800 Series UL 634 Level 2 High Security Contacts (Surface Mount w/ Conduit Fitting)



Specifications

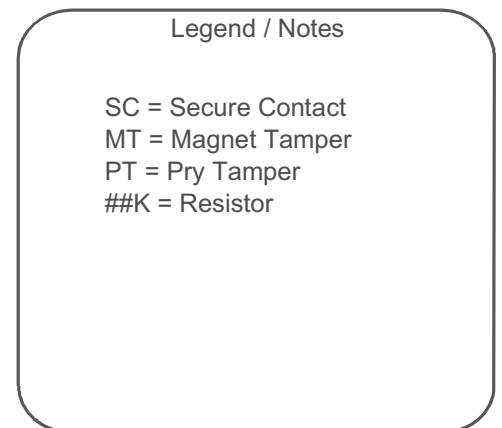
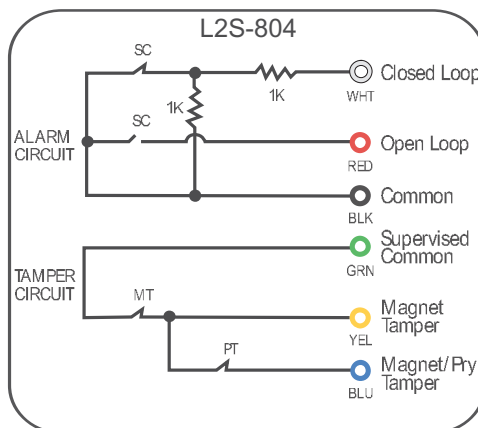
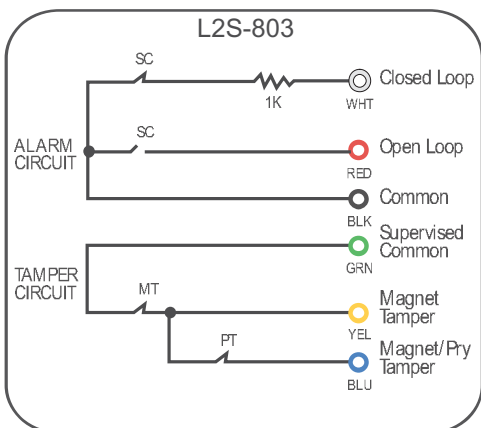
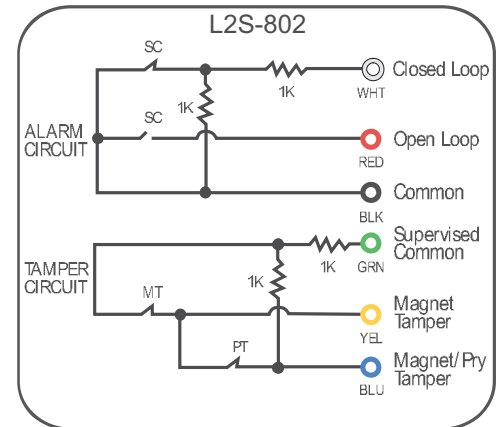
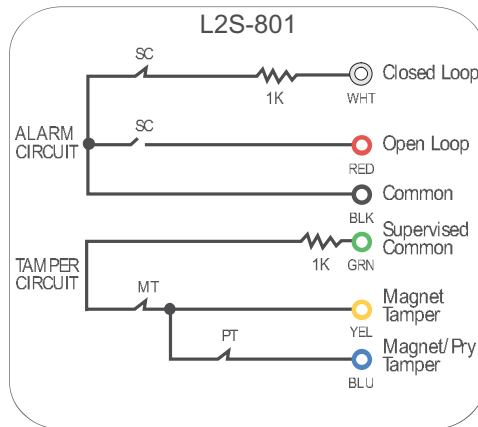
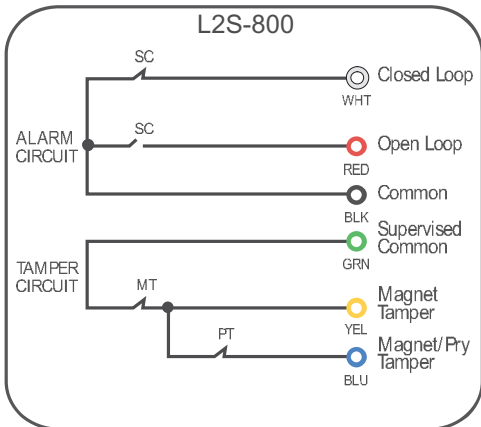
Aluminum Case: Silver-Gray Anodized
Wire Lead Type: Color-Coded, 22 AWG Stranded
 36" [91cm] Leads
Max Current: 0.25 A Resistive
Max Voltage: 30 VDC
Max Power: 0.250 W
Operating Temperature: -40° C to +80°C
Max Gap: 3/16" (Note: .125" Gap for UL634 Level 2 Installation)
 Suitable for outdoor use



SIZE
 5.6"L x 1"W x 1.5"H
 [143mm L x 25.4mm W x 38.1mm H]

Dual fitting note: either or both

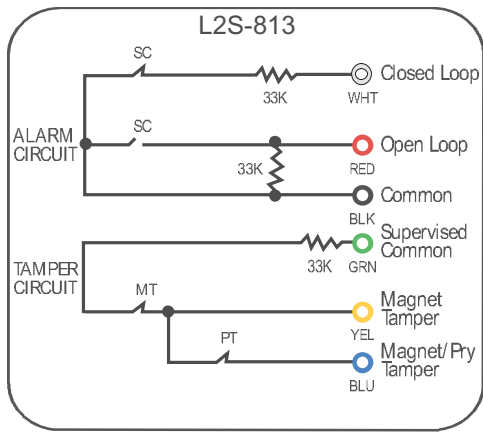
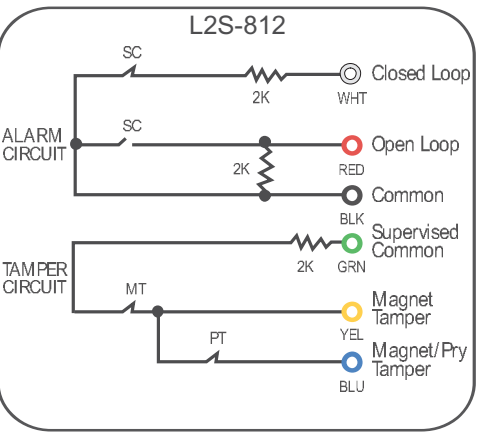
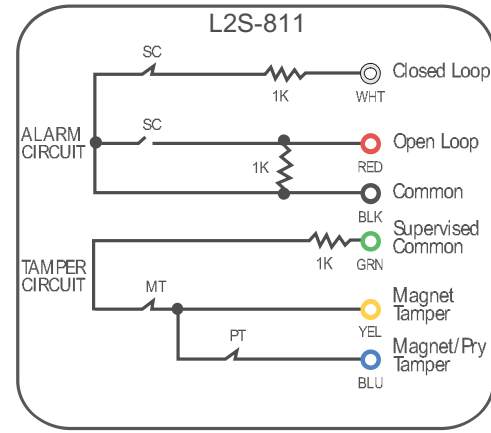
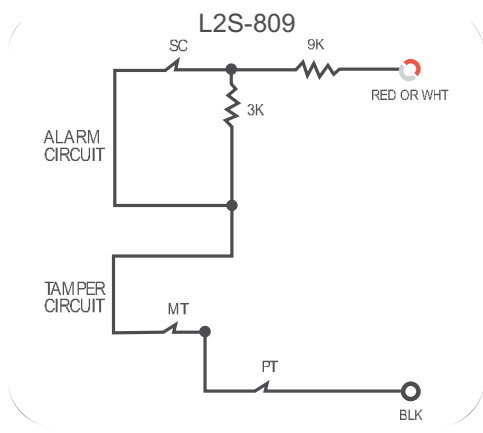
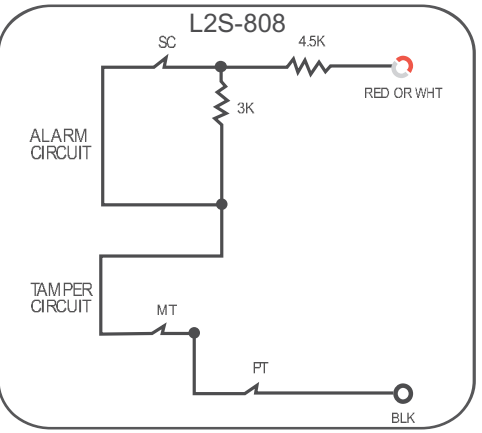
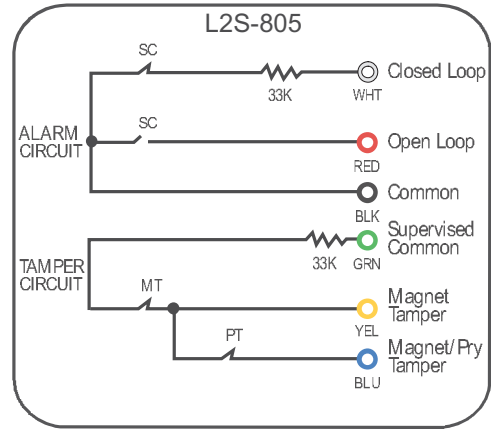
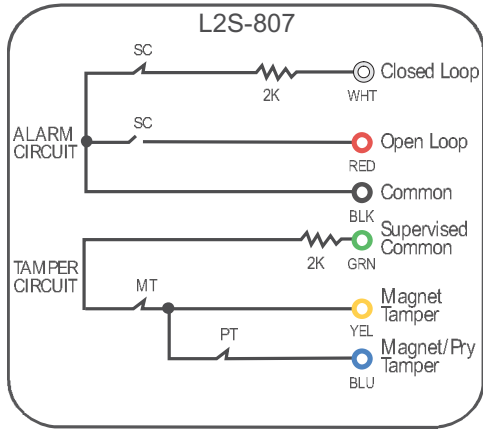
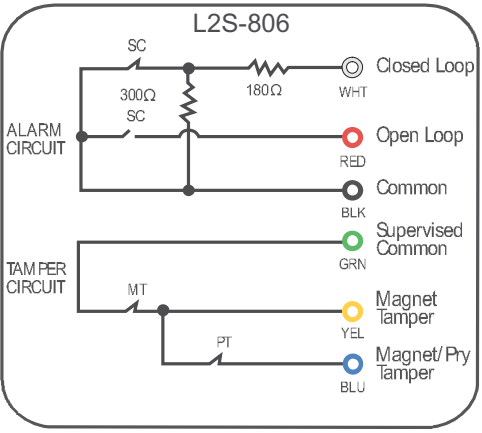
Available in all L2D / L2S Schematic Variants



L2S-800 (Single Alarm Contact) Continued

UL 634 Level 2 High Security Contacts (Surface Mount)

NOTE: CONTACT STATE SHOWN WITH TARGET MAGNET IN PLACE



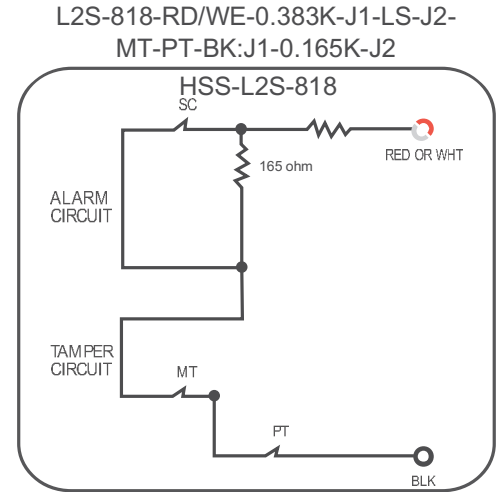
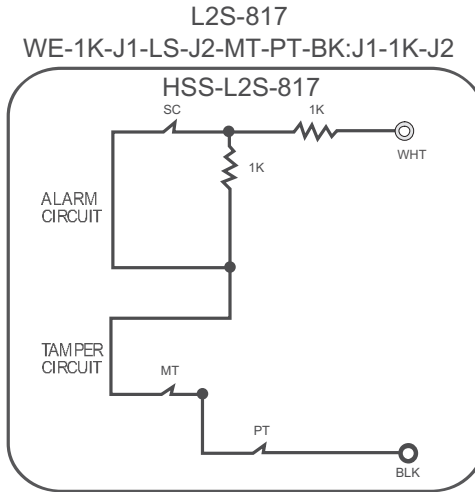
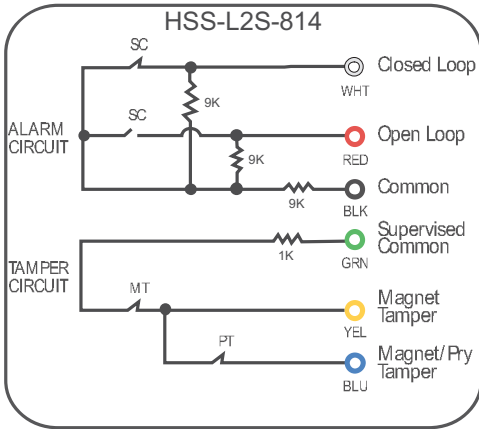
Legend / Notes

SC = Secure Contact
 MT = Magnet Tamper
 PT = Pry Tamper
 ##K = Resistor

36" [91cm] Leads

L2S-800 (Single Alarm Contact) Continued
 UL 634 Level 2 High Security Contacts (Surface Mount)

NOTE: CONTACT STATE SHOWN WITH TARGET MAGNET IN PLACE



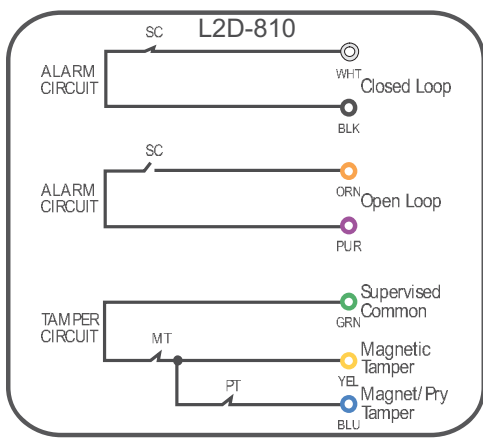
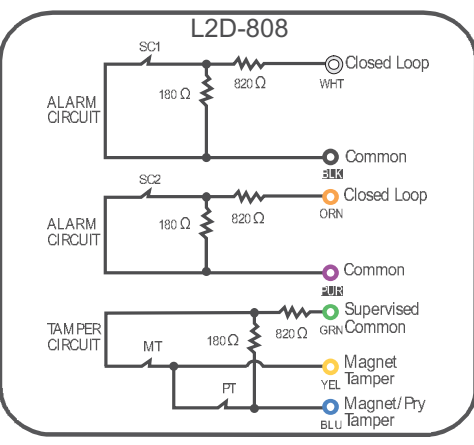
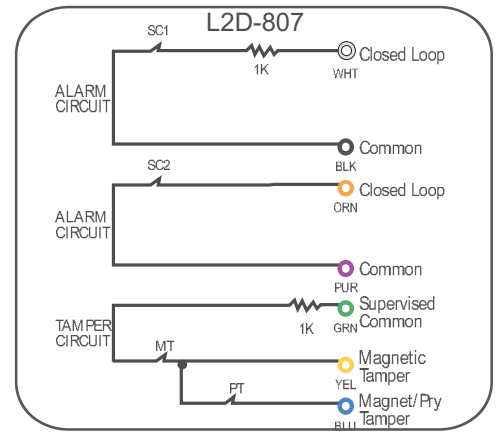
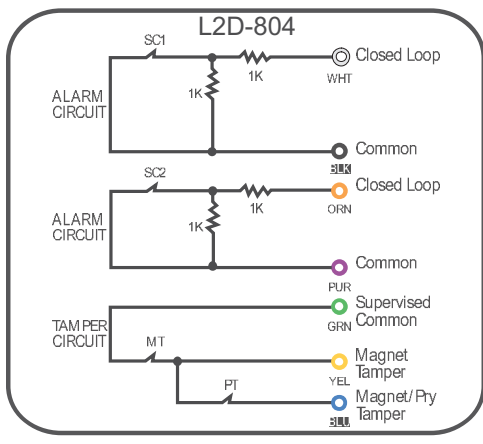
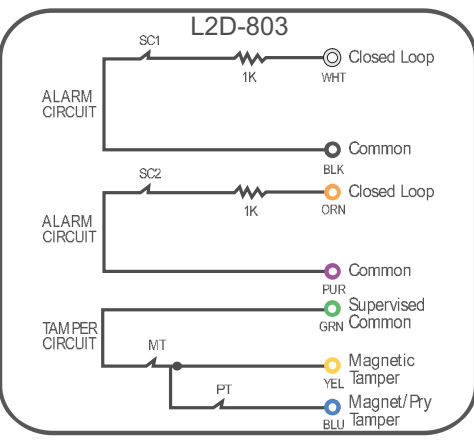
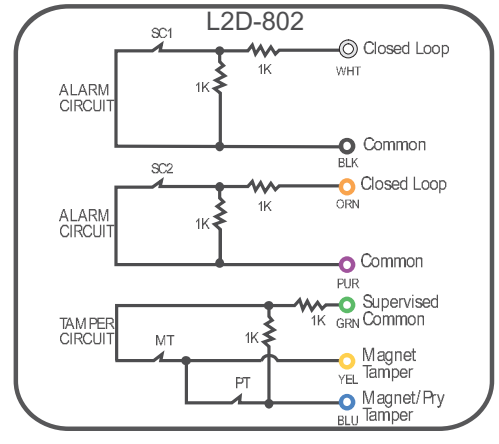
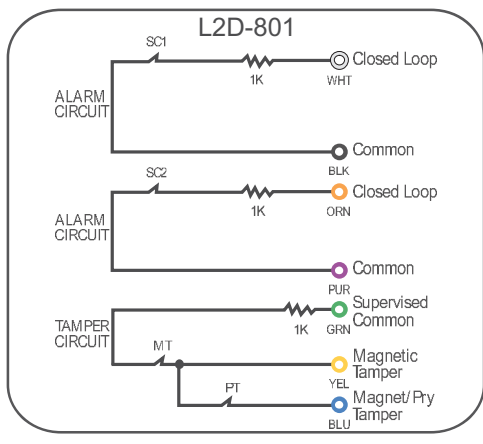
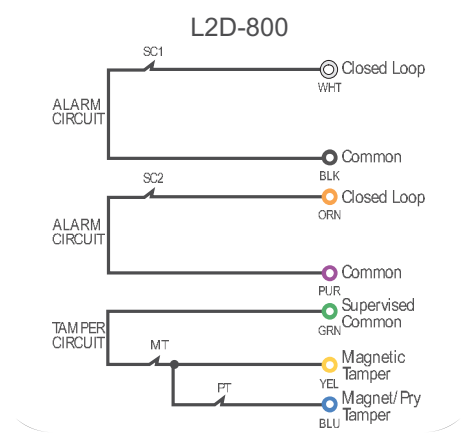
Legend

SC = Secure Contact
 MT = Magnet Tamper
 PT = Pry Tamper
 ##K= Resistor

36" [91cm] Leads

Magnasphere L2D-800 (Dual Alarm Contacts) UL 634 Level 2 High Security Contacts (Surface Mount)

NOTE: CONTACT STATE SHOWN WITH TARGET MAGNET IN PLACE



Legend / Notes

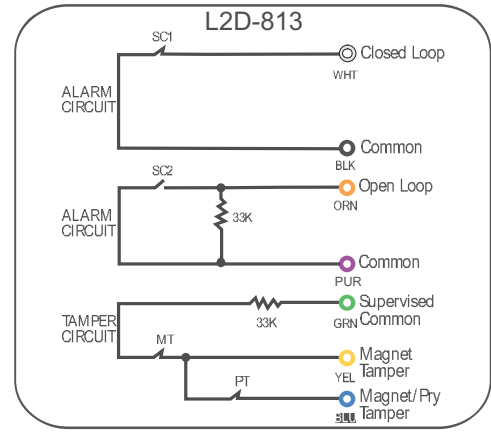
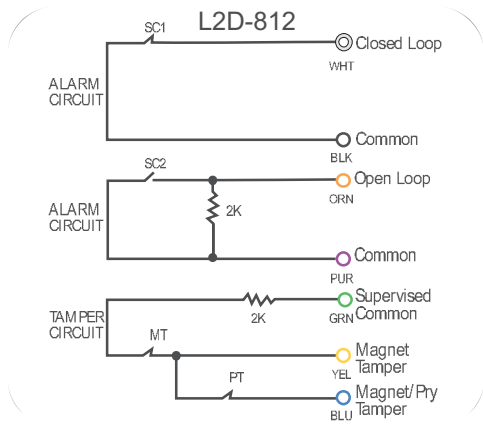
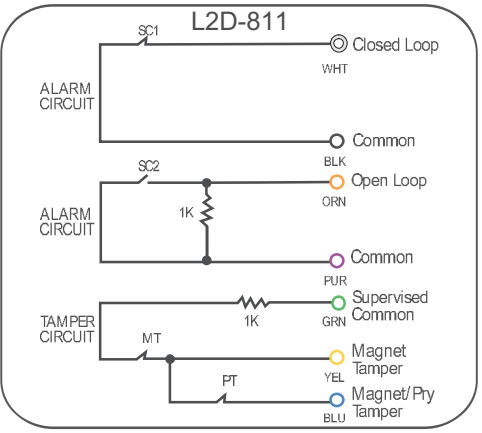
SC = Secure Contact
 MT = Magnet Tamper
 PT = Pry Tamper
 ##K = Resistor

36" [91cm] Leads

L2D-800 (Dual Alarm Contacts) Continued

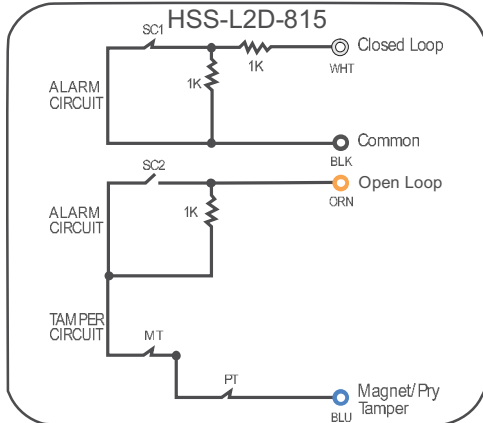
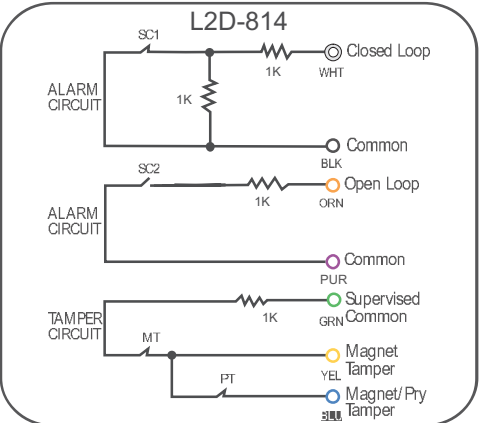
UL 634 Level 2 High Security Contacts (Surface Mount)

NOTE: CONTACT STATE SHOWN WITH TARGET MAGNET IN PLACE



L2D-815

WE-1K-J1-LS-J2-BK:J1-1K-J2:OE-J3-NS-J4-MT-PT-BE:J3-1K-J4



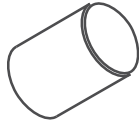
Legend / Notes

SC = Secure Contact
 MT = Magnet Tamper
 PT = Pry Tamper
 ##K = Resistor

36" [91cm] Leads

HSS Surface Mount Accessories

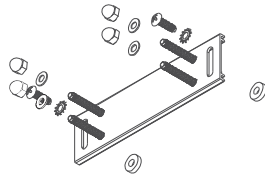
P/N : HS-1250
KIT: Removal Tamper Magnet
QTY: 3pcs



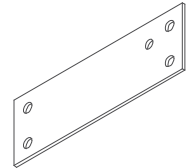
P/N : HS-1251
KIT: Removal Tamper Cap
QTY: 5pcs



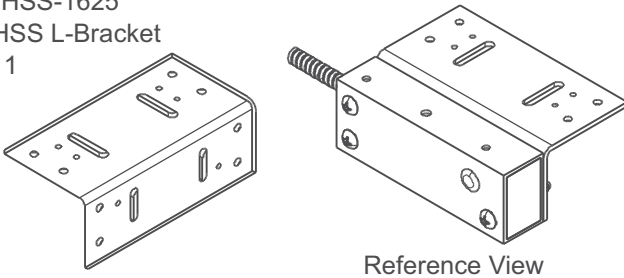
P/N : HSS-1229
KIT: Adjustable Magnet Bracket
QTY: 1



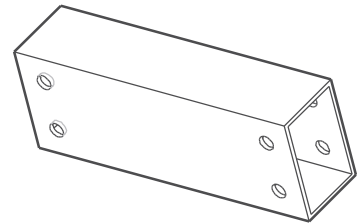
P/N : HSS-SP062
KIT: HSS Plastic Shims
QTY: 10pcs



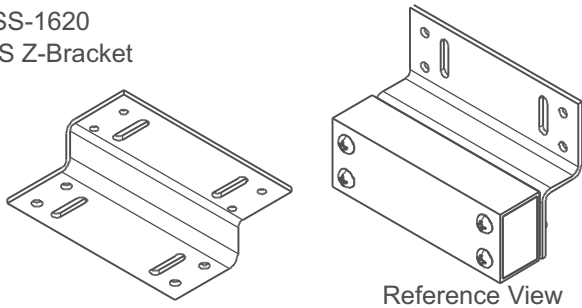
P/N : HSS-1625
KIT: HSS L-Bracket
QTY: 1



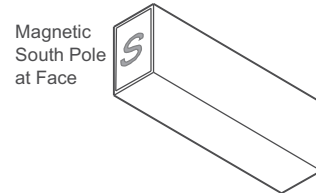
P/N : HSS-1102
KIT: HSS Magnet Housing 1" Spacer
QTY: 1



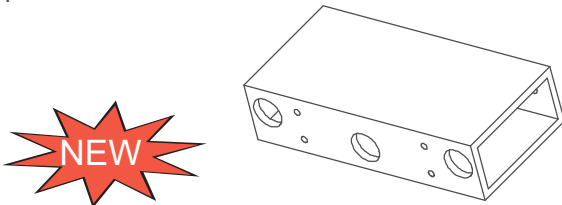
P/N : HSS-1620
KIT: HSS Z-Bracket
QTY: 1



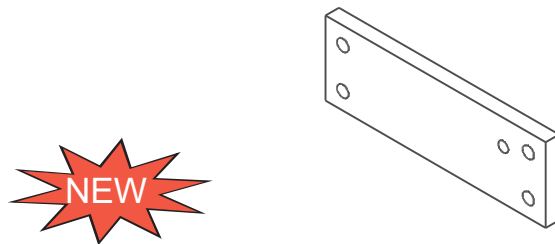
P/N : HSS-1384
KIT: HSS & L2C Series Tamper Test Magnet
(1.5" [3.81 cm] x 1" [2.54cm] x 4.25" [10.8cm])
QTY: 1



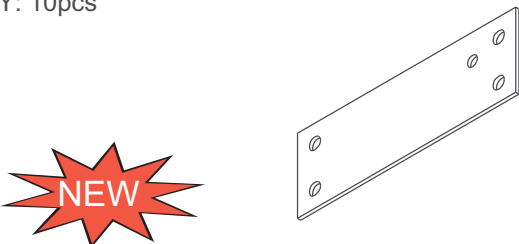
P/N: HSS-1731
KIT: HSS Magnet Module 3" Spacer
QTY: 1



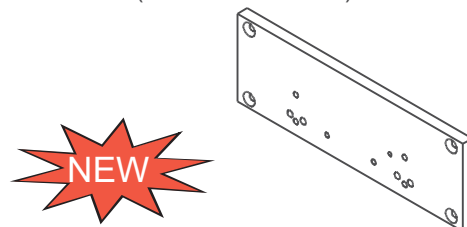
P/N : HSS-1578
KIT: 1/4" Aluminum spacer w/ Clearance Holes
QTY: 1



P/N : HSS-SP062-FIRE
KIT: HSS Aluminum Shims
QTY: 10pcs



P/N : 1798
KIT: HSS Adapter Plate for BEA
Glass Door Bracket (10UBRACKETUL)
QTY: 1



INSTALLER COMPONENTS FOR HSS L2X-0XX SERIES - REPLACEMENT KIT P/N: 1528

#10 x 2" Length / Screws / Type F / **Qty: 7**

#6 x 1" Length / Screws / Type F / **Qty: 2**

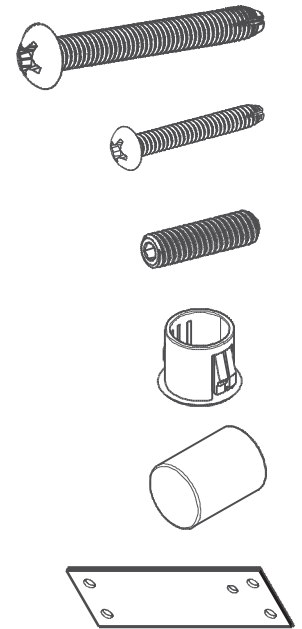
#8-32 x 7/16" Length / SS Set Screw / **Qty: 1**

Pry-tamper Plugs (Plastic) / **Qty: 2**

Pry-tamper Magnet (Dia. 3/8" x 1/2" Length) / **Qty: 1**

Plastic Spacers (1/16" Thk.) / **Qty: 2**

Poly Bag / **Qty:1**


INSTALLER COMPONENTS FOR HSS L2X-0XX-FIRE SERIES - REPLACEMENT KIT P/N: 1528-FIRE

#10 x 2" Length / Screws / Type F / **Qty: 7**

#6 x 1" Length / Screws / Type F / **Qty: 2**

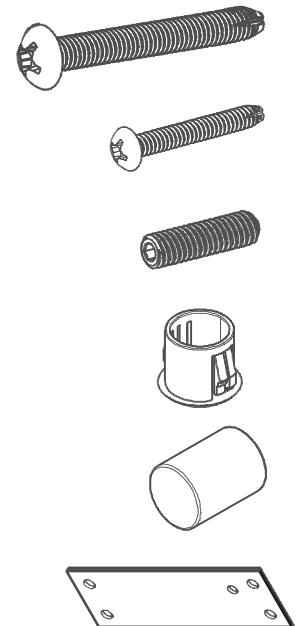
#8-32 x 7/16" Length / SS Set Screw / **Qty: 1**

Pry-tamper Plugs (Plastic) / **Qty: 2**

Pry-tamper Magnet (Dia. 3/8" x 1/2" Length) / **Qty: 1**

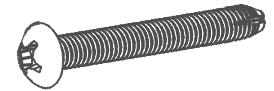
Aluminum Spacers (1/16" Thk.) / **Qty: 2**

Poly Bag / **Qty:1**

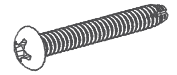


INSTALLER COMPONENTS FOR HSS L2X-8XX SERIES - REPLACEMENT KIT P/N: **HSS-1543**

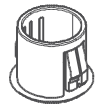
#10 x 2" Length / Screws / Type F / **Qty: 7**



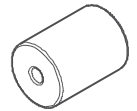
#6 x 1" Length / Screws / Type F / **Qty: 2**



Pry-tamper Plugs (Plastic) / **Qty: 2**



Pry-tamper Magnet (Dia. 3/8" x 1/2" Length) / **Qty: 1**



Plastic Spacers (1/16" Thk.) / **Qty: 2**



1/2" NPT Plug / **Qty: 1**

Poly Bag / **Qty:1**



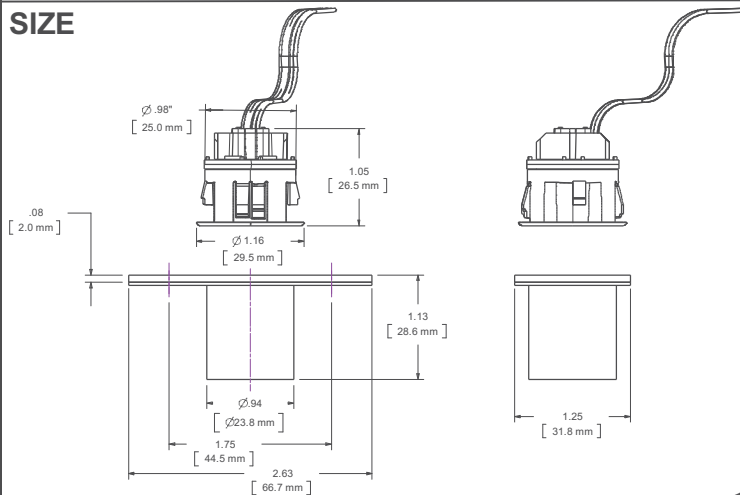
HSS-L2C Series
UL 634 Level 2 High Security Contacts
(Recessed/Concealed)



Specifications

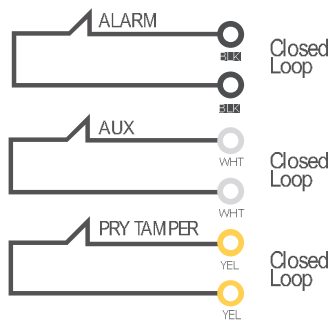
Housing: Brass (Magnet Housing) and ABS (Switch Housing)
Wire Lead Type: Color-Coded, 12"L [30 cm] 22 AWG
Max Current: 0.25 A Resistive
Max Voltage: 30 VDC
Max Power: 0.250 W
Max Gap: .125" [3.18mm]
 Suitable for outdoor use

SIZE

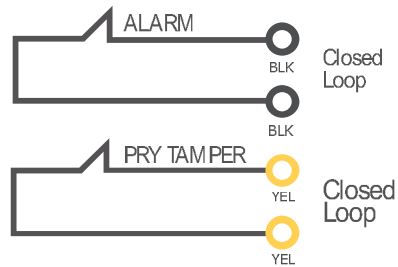


NOTE: CONTACT STATE SHOWN WITH TARGET MAGNET IN PLACE

L2C-111



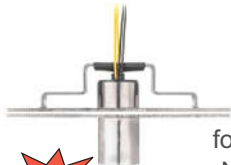
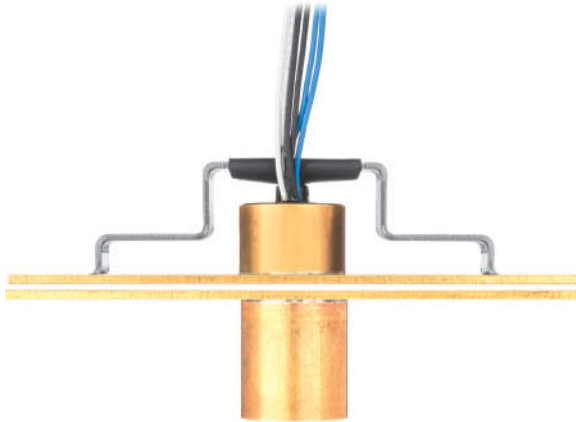
L2C-101



HSS-L2C-A Series

Level 2 (UL-634)

(Concealed: Fits to an ANSI style cutout)



for nickel plated finish add
-NICKEL suffix to the part number

Specifications

Housing: Brass

Wire Lead Type: Color-Coded, 12"L [30 cm] 22 AWG

Max Current: 0.25 A Resistive

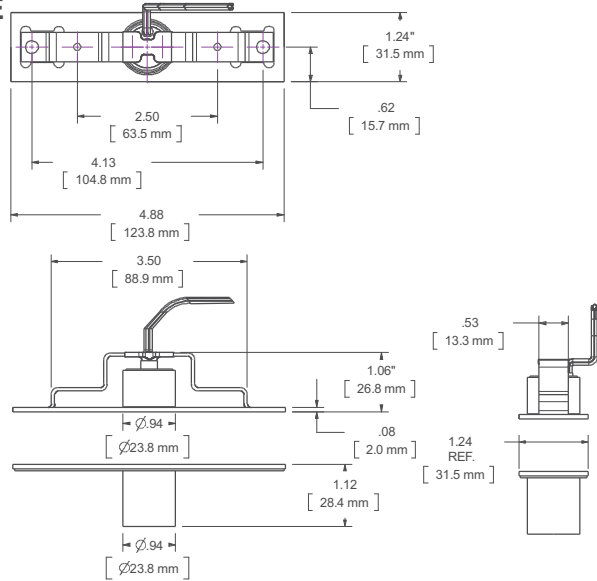
Max Voltage: 30 VDC

Max Power: 0.250 W

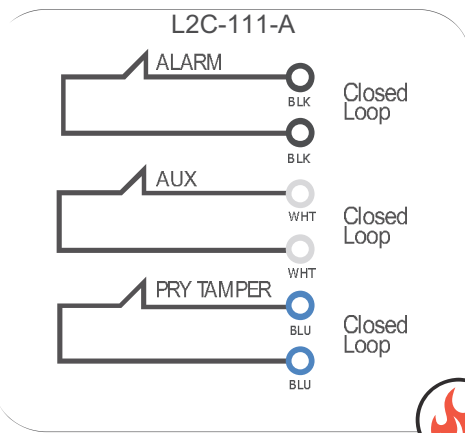
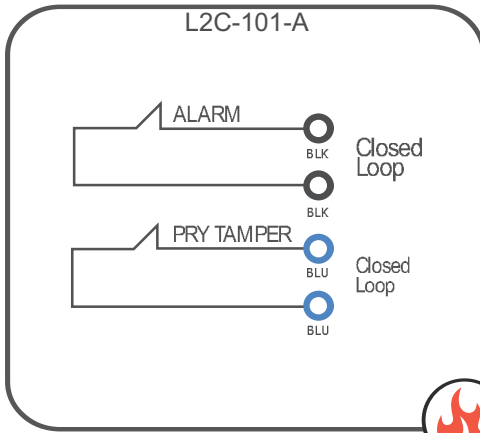
Max Gap: .125"

Suitable for outdoor use

SIZE



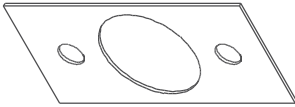
NOTE: CONTACT STATE SHOWN WITH TARGET MAGNET IN PLACE



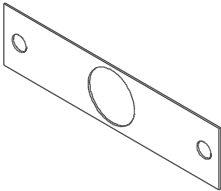
* To Order the UL10C classified/listed contacts (misc. fire door accessories, positive pressure tested.) add -FIRE suffix to the part number.
HSS-L2C-XXX-A-FIRE series is rated at 3 hours.

L2C-XXX & L2C-ANSI Accessories

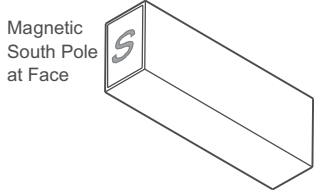
P/N : HSS-1222
KIT: 1/32" Spacers for L2C-XXX Magnet Module
QTY: 10pcs



P/N : HSS-1367
KIT: L2C ANSI 1/32" spacer
QTY: 10pcs



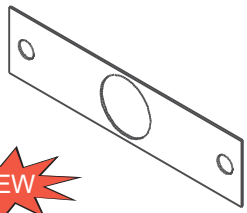
P/N : HSS-1384
KIT: HSS & L2C Series Tamper Test Magnet
(1.5" [3.81 cm] x 1" [2.54cm] x 4.25" [10.8cm])
QTY: 1



P/N : 1710
KIT: L2C-XXX Pry Tamper Bracket
QTY: 3pcs



P/N: HSS-1367-FIRE
KIT: L2C ANSI -FIRE 1/32" Aluminum Spacers
QTY: 10pcs

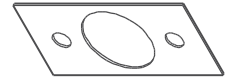


INSTALLER COMPONENTS FOR HSS L2C REPLACEMENT KIT P/N: **HSS-1544**

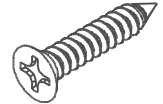
Tamper Bracket (Plastic) / **Qty: 1**



Plastic Spacer (1/32" Thk.) / **Qty: 3**



#10 x 1" Length / Phillips Undercut Flathead Screw / **Qty: 2**



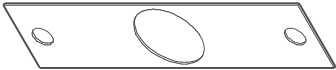
Poly Bag / **Qty:1**

INSTALLER COMPONENTS FOR HSS L2C-A - REPLACEMENT KIT P/N: **HSS-1545**

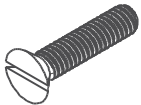
#8-32 x 3/8" Length / SS Phillips Undercut Flathead Screws
(Tamper Bracket) / **Qty: 2**



Plastic Spacer (1/32" Thk.) / **Qty: 3**



#8-32 x 1/2" Length / Brass Slotted Flathead Screw
(Switch and Magnet) / **Qty:4**



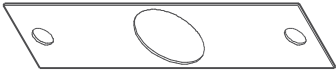
Poly Bag / **Qty: 1**

INSTALLER COMPONENTS FOR HSS L2C-A-FIRE - REPLACEMENT KIT P/N: **HSS-1545-FIRE**

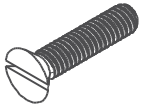
#8-32 x 3/8" Length / SS Phillips Undercut Flathead Screws
(Tamper Bracket) / **Qty: 2**



Aluminum Spacer (1/32" Thk.) / **Qty: 3**



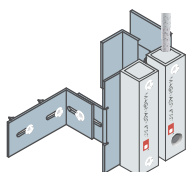
#8-32 x 1/2" Length / Brass Slotted Flathead Screw
(Switch and Magnet) / **Qty:4**



Poly Bag / **Qty: 1**

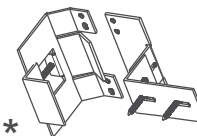
Overhead Door Brackets (OHD)

P/N : HS-OHD-111 (w/ contact pre-mounted)
 KIT: HS-L1.5-111 mounted on HS-1271
 QTY: 1 kit



**
 can use p/n:1788

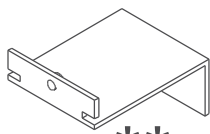
P/N : 1271
 KIT: Overhead Door Rail Mount Bracket for HS-L1.5
 QTY: 1 kit



**
 can use p/n:1788

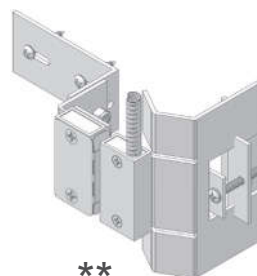
P/N : HS-OHD-121 (w/ contact pre-mounted)
 KIT: HS-L1.5-121 mounted on HS-1271
 QTY: 1 kit

P/N : 1788
 KIT: Extended Z-bracket
 allows any OHD kit to hold 4" rails
 QTY: 1



**
NEW

P/N : MK-3002S (w/ contact pre-mounted)
 KIT: OHD Rail Mount w/ MSS-320S
 QTY: 1kit

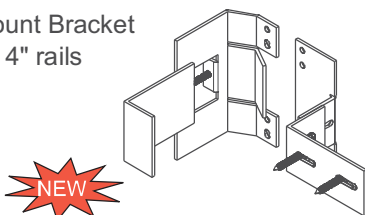


**
 can use p/n:1788



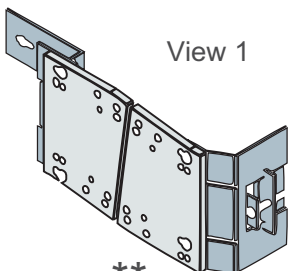
NEW

P/N : 1791
 KIT: Overhead Door Rail Mount Bracket
 for HS-L1.5 - can hold up-to 4" rails
 QTY: 1 kit



NEW

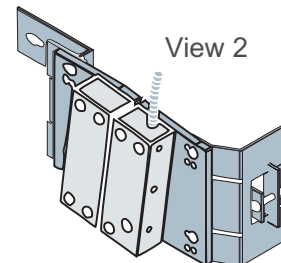
P/N : HSS-1670
 KIT: Over Head Rail Mount Bracket Kit
 (OHD) for HSS (Level 2) - *Right Side
 QTY: 1 kit



View 1

**
 can use p/n:1788

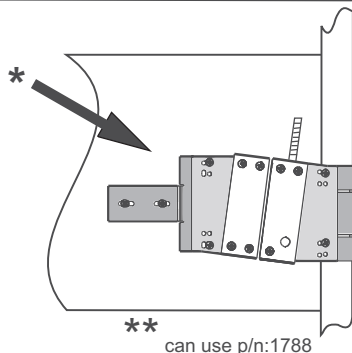
P/N : HSS-1671
 KIT: Over Head Rail Mount Bracket Kit
 (OHD) for HSS (Level 2) - *Left side
 QTY: 1 kit



View 2

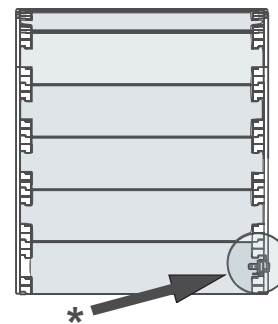
HSS Security Module Set NOT Included

P/N: HSS - 1670 - L2S/D - XXX (w/ contact pre-mounted)
 KIT: Overhead Door Bracket w/ HSS-L2 - *Right Side
 QTY: 1 kit



**
 can use p/n:1788

P/N: HSS - 1671 - L2S/D - XXX (w/ contact pre-mounted)
 KIT: Overhead Door Bracket w/ HSS-L2 - *Left Side
 QTY: 1 kit



*

Note(s):
 * as viewed from the interior

Roll Up Door Bracket Kit

Roll-up Door Contact (HSL-1.5) Level 1 (Brackets w/ contacts pre-mounted)

P/N : HS1452-L1.5-111 & -121

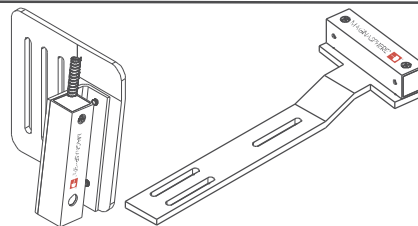
KIT: Roll Up Door Bracket w/HSL1.5 - Right Side*

QTY: 1 Set

P/N : HS1453-L1.5-111 & -121

KIT: Roll Up Door Bracket w/HSL1.5 - Left Side*

QTY: 1 Set



Roll-up Door Contact (HSS) Level 2 (Brackets w/ contacts pre-mounted)

P/N : HSS-1450-L2S/D-XXX

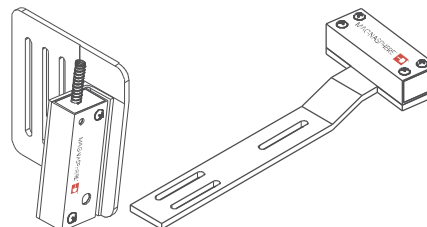
KIT: Roll Up Door Bracket w/HSS L2 - Right Side*

QTY: 1 Set

P/N : HSS-1451-L2S/D-XXX

KIT: Roll Up Door Bracket w/HSS L2 - Left Side*

QTY: 1 Set



Roll-up Door Bracket Set for HSL1.5 and HSS (Brackets Only)

P/N : 1450

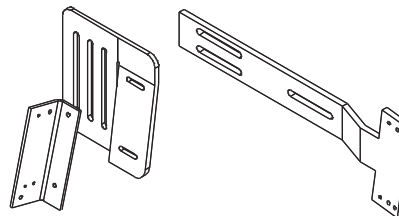
KIT: Roll Up Door Bracket Set for HSS or HSL1.5 - Right Side*

QTY: 1 Set

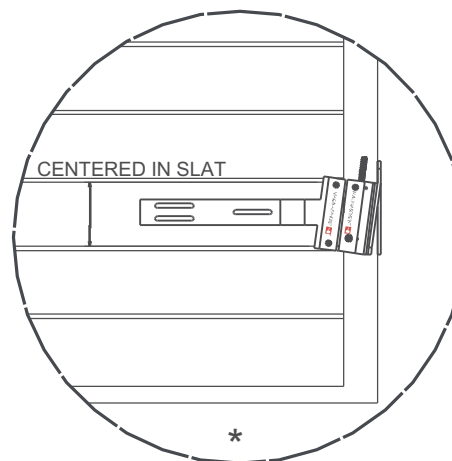
P/N : 1451

KIT: Roll Up Door Bracket Set for HSS or HSL1.5 - Left Side*

QTY: 1 Set



Assembled representation:
interior reference point (right side) for
Roll-up Door Contact (HSS / HSL-1.5)



Note(s):

* as viewed from the interior

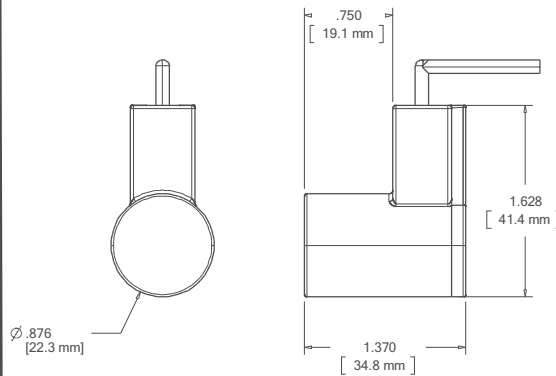
T1-AB-JS Unidirectional Tilt / Disturbance Switch



T1-AB-JS



SIZE



Mechanical and Electrical Specifications

Poles and Circuits: **SPST** (ON/OFF)

Max Current: **0.25A** Max

Voltage: **30 VDC** Resistive

Max Power: **.25 W**

Mechanical Life: 1 Million Operations (Typical)

Angles of Operation:

ON = 180° (+/- 4°)

OFF = 180° (+/- 4°)

RoHS compliant

Color(s)

Black ABS

(Flame Rated: 94HB min)

Wire Leads

JACKETED 22 AWG 0.11" OD x12"L

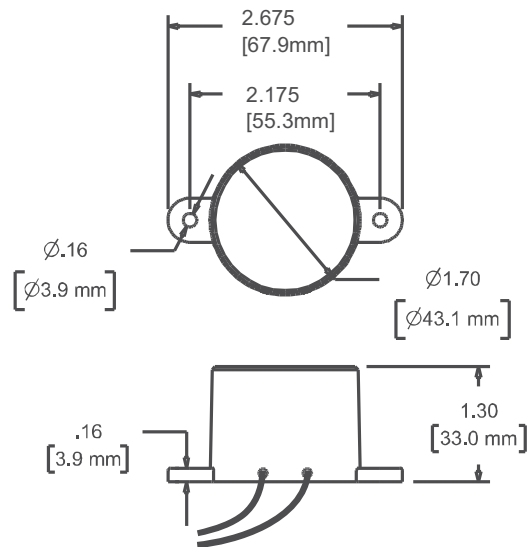
T3-B-LS Omnidirectional Tilt / Disturbance Switch



T3-B-LS



SIZE



Mechanical and Electrical Specifications

Poles and Circuits: **SPST** (ON/OFF)

Max Current: **0.25A** Max

Voltage: **30 VDC** Resistive

Max Power: **.25 W**

Mechanical Life: 1 Million Operations (Typical)

Angles of Operation:

11° above horizontal typical actuation.

6° above horizontal typical return.

RoHS compliant

Color(s)

Black ABS

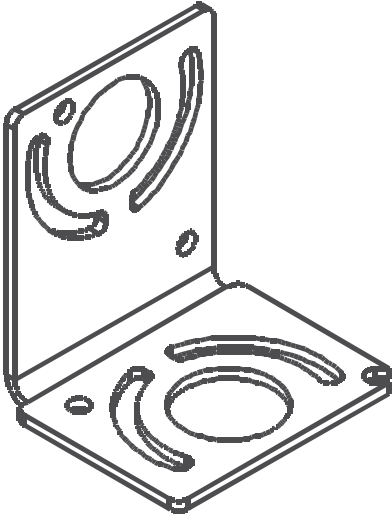
(Flame Rated: 94HB min)

Wire Leads

12" [30.5cm] - 2x 20 AWG Stranded,
Black SXL Insulated

see page 40 for accessories

L Bracket for T1-AB-JS Unidirectional Tilt Switch and T3-B-LS Omni-Directional Tilt / Disturbance Switch Qty:1
P/N: 1608

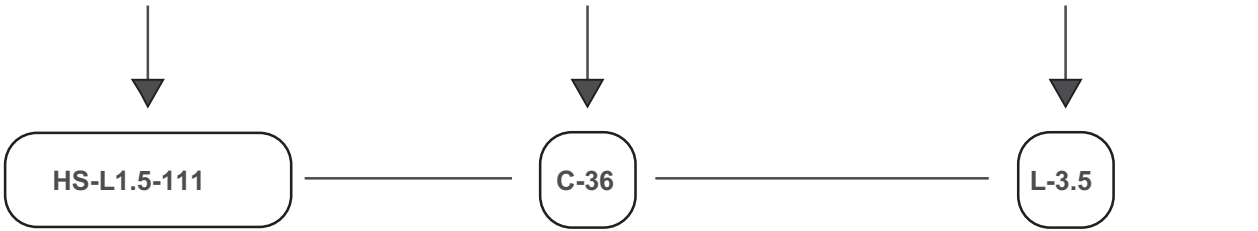


How to order contacts with longer than standard armored cable/leads (Example)

HS, HSS or MSS-300S
Series P/N

Armored Cable Length
(in Inches)

* Wire Lead Length
(In Feet + 0.5 Foot "Pigtail")



HS-L1.5-111
Contact Model

C-36
Armored Cable Length in Inches

L-3.5
Wire Lead Length Converted to Feet

Level 1- Two Normally Closed Alarm Contacts & Normally Closed Tamper

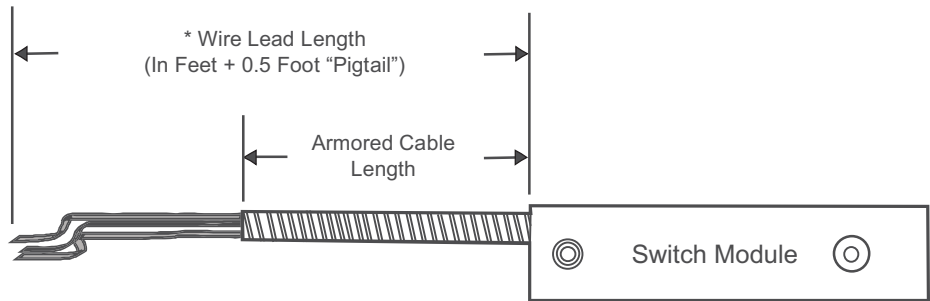
Armored Cable 36"

3-1/2 Feet Of Wire Leads (6" of Lead Available - From End of Armored Cable)

HS-L1.5-111-C-36-L-3.5

(Example)

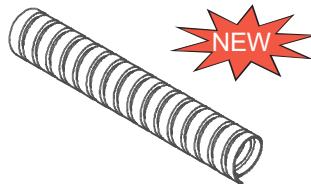
Visual Reference



Note: Same ordering convention applies to HSS, HSL1.5 and MSS contacts.

Note: armored cable can be purchased separately

P/N : 1720
KIT: 25' armored cable 7/32" ID
QTY: 25 feet



Magnasphere Motion

Call to inquire (+1 262-347-0711)



MSK-101-MM : radar-based motion detector providing fine control over a precise sense zone via app setup; programming dongle sold separately – see page 43 for accessories

Cert: Listed to UL 639 (Safety Intrusion-Detection Units), FCC ID: UXS-SMR-3X4, Tested to EN 50131-2-3 Grade 3, Class IV, BIS, CE

24GHz FMCW radar: No license needed to deploy

System: Panel independent via relay outputs

Ratings and use: 12VDC, 100mA (max) IP66 & IP68, indoor or outdoor, wall or ceiling mount, barrier or volumetric sensing at over 60feet sense range, -40/+70 °C -40/+158 °F

Application notes: Weather, sunlight, HVAC is not a problem, distinguishes small animals from humans to eliminate false alarms, respects privacy (unlike video analytics), multiple channels permit overlapping sense zones and perimeters. Radar overcomes the environmental and backdrop problems of the inferior PIR and microwave-doppler technologies, designed to be security hardware for that "motion trouble spot"

Setup: secure via app and dongle (iOS, Android, Windows, Mac) over wifi* --or over encrypted cable (USB-only** for demanding environments)

Note: at least one dongle (of either type) must be procured to set up any number of MSK-101-MM units

*[wifi dongle catalog entry]

**[usb only dongle catalog entry noting that no radio hardware is equipped; intended for secure spaces which do not tolerate radio emissions]

MSK-101-POE-MM : power over ethernet

see page 43 for accessories

Usage: Indoor or outdoor motion sensor

Detection method: Inxpect motion processing engine based on FMCW radar at 24GHz

FOV: 90deg Horiz / 30deg Vert

Maximum range (detection of persons): 20m | 66ft, configurable in 30cm/1ft steps

Mounting height: 1 to 3m | 3 to 11ft

Detection speed: > 0.05 m/sec | 2 in/sec

LED alarm indicator: Led on when in alarm (switchable to off)

Electrical interface: 802.3af (PoE) for power and data, standard RJ45 socket

API: Proprietary UDP, open REST and HTTPS APIs with end-to-end encryption and secure crypto co-processor

Operating temperature: -30/+60 °C | -22/+140 °F

Certifications: CE, Contains FCC ID: UXS-SMR-3X4, compatible with EN 50131-2-3 Grade 3, Class IV

Environmental rating: IP66+IP67

VMS integrated: Milestone, etc.

FIPS-compliant cryptographic co-processor with secure storage for asymmetric keys

SETUP: open web, REST and UDP interfaces --no dongle

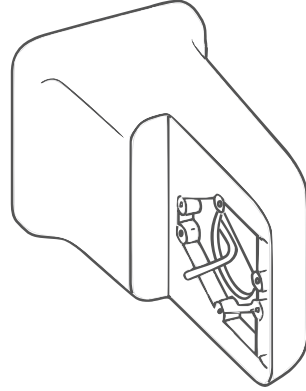
Magnasphere Motion – Accessories

Call to inquire (+1 262-347-0711)

P/N: MSK-101-BM

KIT: Barrier mounting bracket for MSK-101

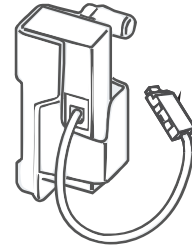
QTY: 1



P/N: WSYNC-DK-USB

KIT: MSK-101 programming dongle for PC & MAC w/ 10ft usb cable and caddy intended for secure spaces which do not tolerate radio emissions

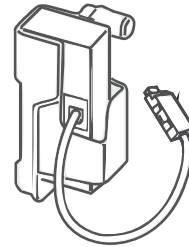
QTY:1



P/N: WSYNC-DK-WIFI-US

KIT: MSK-101 WiFi dongle for iOS and Android w/ cable and caddy

QTY:1



MACS ANTI-CLIMB SYSTEM

Call to inquire (+1 262-347-0711)



Advanced intrusion system designed for rigid and chain-link fences, which accommodates many fence forms and sections while ignoring weather and normalized events (gate closures, impacts, weather, transportation vibration, etc.).

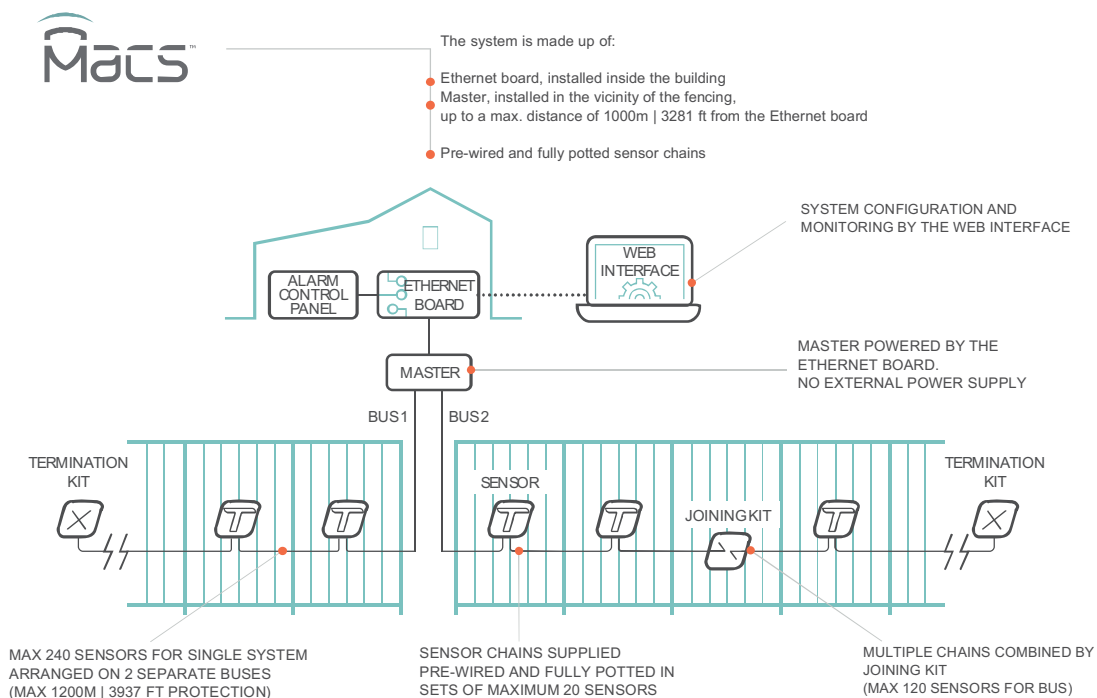
-secure installation by app requiring no fasteners/drilling, trenching, outside power or outside networking

-sensing via individually secured and distinctly controllable sensors (of FIPS-compliant design; field cable is not the sensing element)

- system independent via relays or API system integration (VMS integrated: Milestone, etc.)

-field repairable if damaged

-up to 1200 meters per system



Accessories

P/N: 1795

DESCRIPTION: No-Drill Picket Adapter Plate Set

QTY:2

