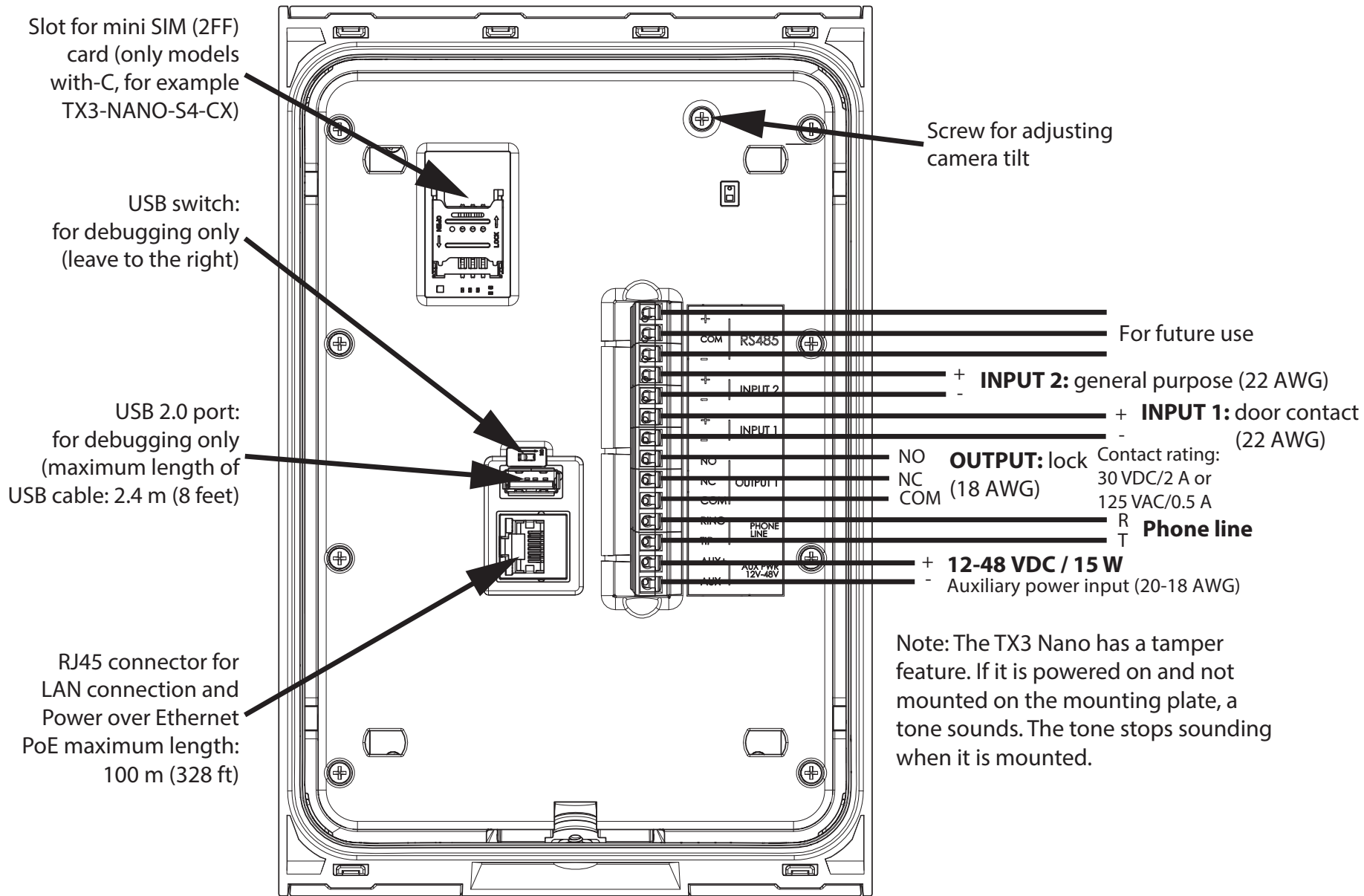


TX3 NANO QUICK START

TX3 Nano dimensions:
219 mm x 147 mm x 47 mm
(8 19/32" x 5 3/4" x 1 27/32")
Mounting plate dimensions:
200 mm x 140 mm (7 27/32" x 5 1/2")

WARNING: Do not mount the TX3 Nano in direct sunlight.
Disconnect the power before wiring.

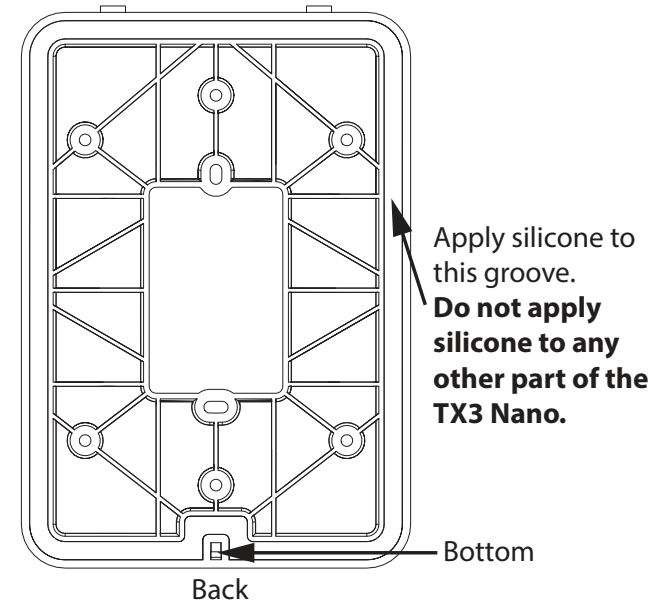


For more information, see LT-6637 and LT-1194 on the included USB disk and <http://www.mircom.com/tx3>
Mircom Tech Support: 1-888-MIRCOM5 (888-647-2665) techsupport@mircomgroup.com

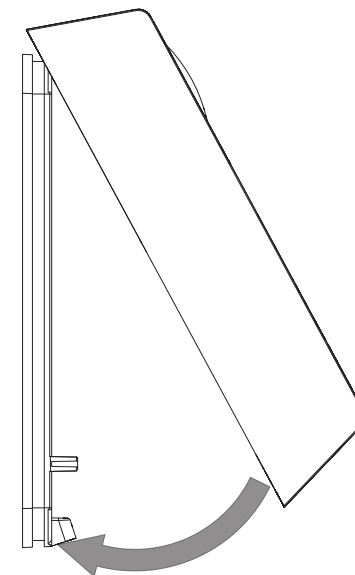


MOUNTING

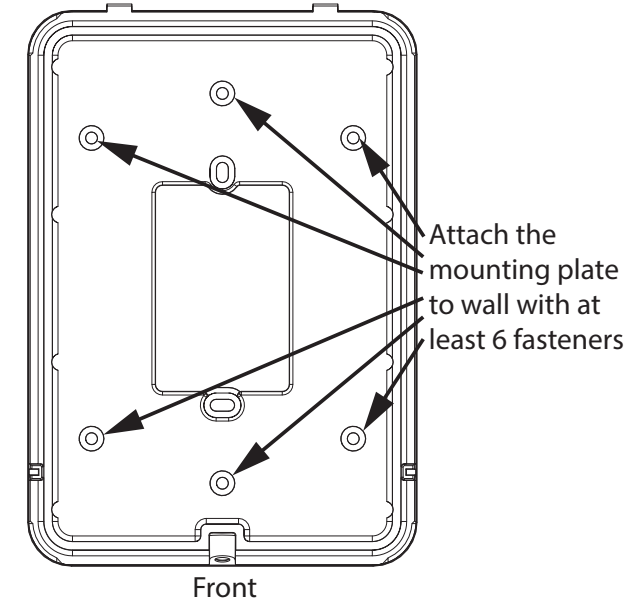
1 Apply outdoor-rated weatherproof silicone to groove in mounting plate



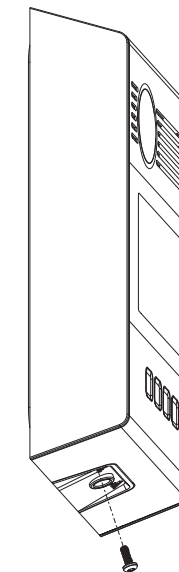
4 Attach TX3 Nano to mounting plate



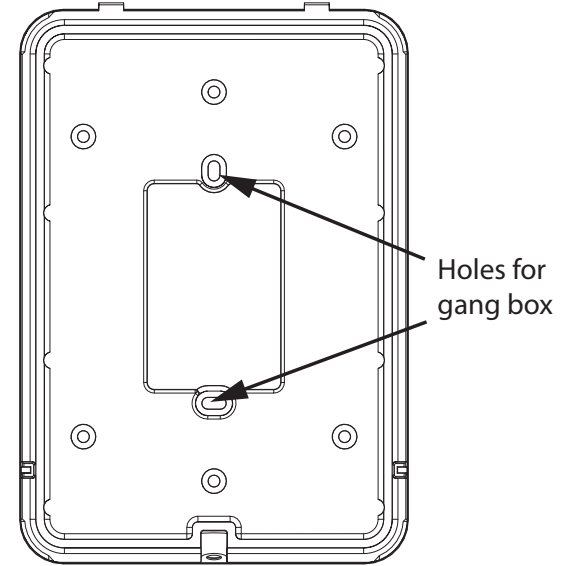
2 Attach mounting plate to wall



5 Insert security screw



3 Use 2 screws to hold gang box in place



6 Configure

1. Press and hold the Home button for 10 seconds. The TX3 Nano's IP address and MAC address appear on the display.
2. On a computer on the same local area network as the TX3 Nano, open Google Chrome or Internet Explorer 11 or higher and type the IP address of the TX3 Nano, and then press enter.

Username: **admin**
Password: **admin**