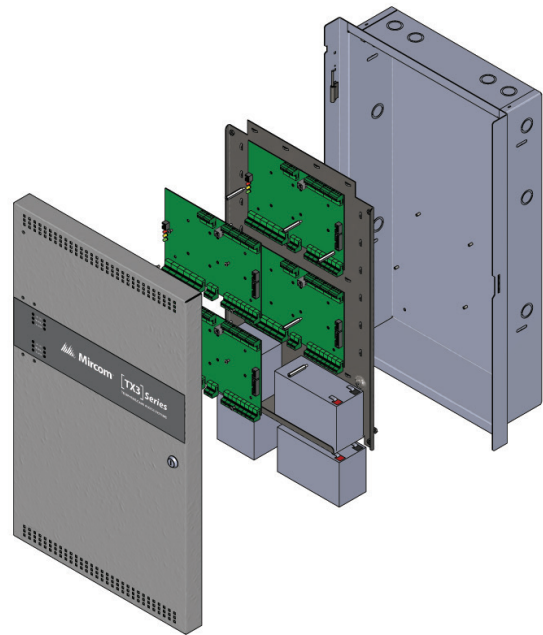




### Features

- Controls up to eight doors from one enclosure simplifying conduit connections and cabling.
- Cost saving construction of multiple TX3 Series RB-MD-1093 two door controller boards.
- Small cabinet size for up to eight doors for installations with limited wall space.
- Flexible configuration to accommodate from two to eight doors.
- One external power supply is included with the cabinet for convenience



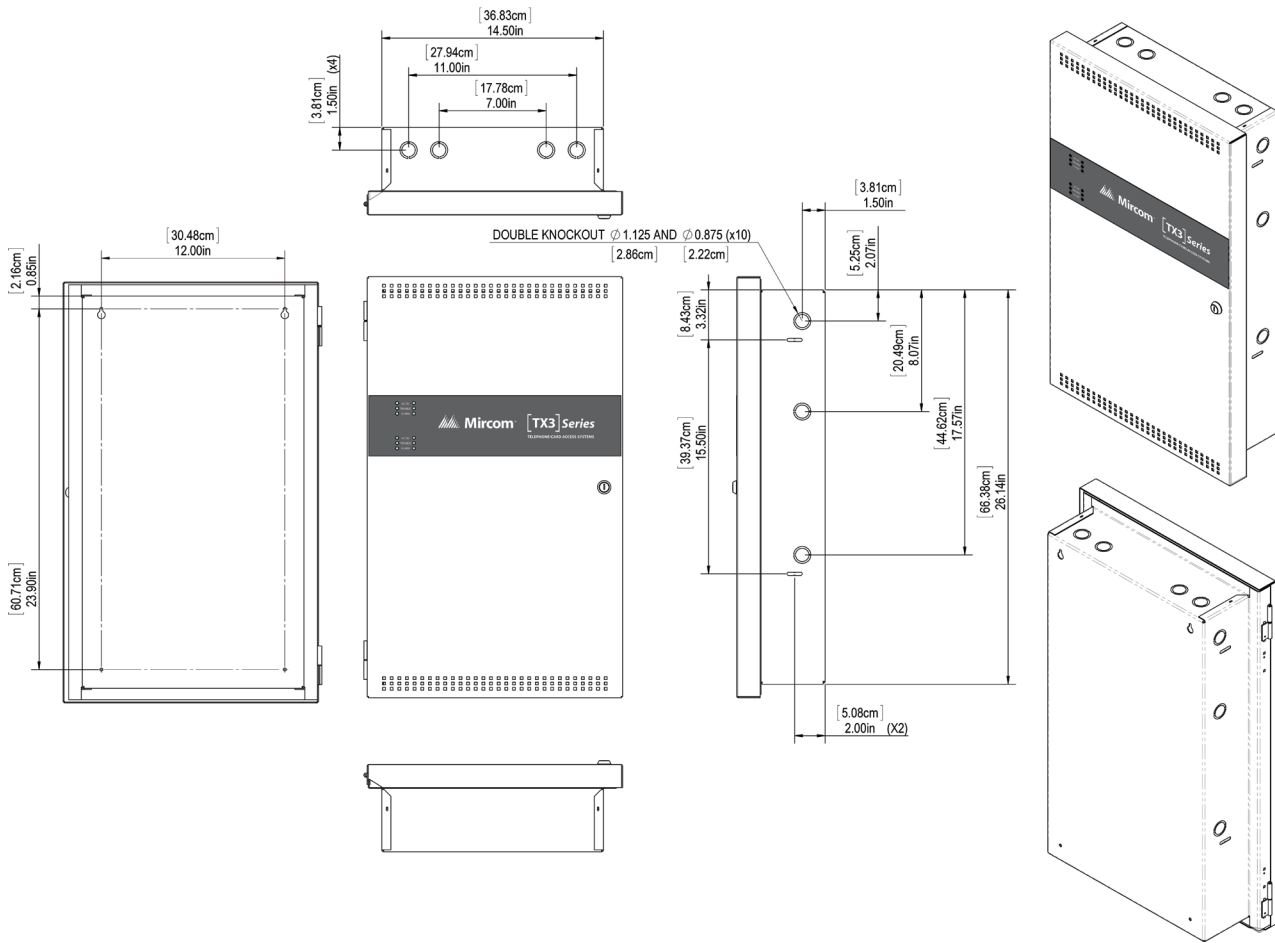
### Description

The TX3-BBCX-4W Cabinet conveniently houses all the requirements for an eight door system installation saving installation labour and material costs. The single cabinet can house up to four, 2 door controllers, four batteries either 5 or 7 AH and a single power supply cabinet is provided for all the boards.

The RB-MD-1093 TX3 Series two door controller boards are ordered separately to match the installation requirements in multiples of two doors up to eight doors per cabinet. All the mechanical mounting hardware is provided with the cabinet including the lock and key.

Use the TX3-BBCX-4W cabinet for large installations when working with limited wall space and budgets. Use a single cabinet to control up to eight doors rather than mount four 2 door controller cabinets saving wall real estate and labour costs. Installation requires one conduit connection per eight door controllers saving material cost and labour

## Specifications



**Size:** 16.7" x 27.9" (42.42 cm x 70.87 cm)

**Knock-out Dimensions:** 7/8" (2.22 cm) and 1.25" (3.18 cm) diameter

**Battery Back-up:** Five or seven ampere hour battery. (Not included.)

**Power:** 24 VDC (Separate power supply included.)

**Power Supply Dimension:** 9.75" length x 7.5" width x 2" depth (24.77 cm x 19.05 cm x 5.08 cm)

## Ordering Information

Model	Description
TX3-BBCX-4W	Eight Door Control Cabinet
RB-MD-1093	Two Door Controller Board with IP Capability
BA-12V5A	5 Ampere hour battery
BA-12V2A	7 Ampere hour battery

NOT TO BE USED FOR INSTALLATION PURPOSES.



### Canada

25 Interchange Way  
 Vaughan, Ontario L4K 5W3  
 Telephone: (905) 660-4655  
 Fax: (905) 660-4113

### U.S.A.

4575 Witmer Industrial Estates  
 Niagara Falls, NY 14305  
 Toll Free: (888) 660-4655  
 Fax Toll Free: (888) 660-4113

Web page: <http://www.mircomgroup.com> Email: [mail@mircomgroup.com](mailto:mail@mircomgroup.com)

Distributed by:



ISO 9001:2008  
 REGISTERED



CAT. 6543  
 rev 3