



Macurco™ CD-6B

Carbon Dioxide Detector, Controller and Transducer
User Instructions



IMPORTANT: Keep these user instructions for reference.

- 1 General Safety Information 4
 - 1.1 List of warnings..... 4
- 2 Use Instructions and Limitations 4
 - 2.1 Use For..... 5
 - 2.2 Do NOT use for 5
 - 2.3 Features..... 6
 - 2.4 Specifications..... 6
- 3 Installation and Operating Instructions..... 7
 - 3.1 Location 7
 - 3.2 Installation..... 7
 - 3.3 Wiring Connections 11
 - 3.3.1 Power Connection 11
 - 3.3.2 Alarm 1 Relay Connection 11
 - 3.3.3 Alarm 2 Relay Connection 12
 - 3.3.4 Alarm 3 Relay Connection 12
 - 3.3.5 Install the Wiring 12
- 4 Operations..... 12
 - 4.1 Power up..... 12
 - 4.2 Awareness Alarm..... 12
 - 4.3 Alarm 1 Relay..... 13
 - 4.4 Alarm 2 Relay..... 13
 - 4.5 Alarm 3 Relay..... 13
 - 4.6 Alarm Behavior 13
 - 4.6.1 Alarm Priority..... 13
 - 4.6.2 Display turned “On” 13
 - 4.6.3 Display turned “Off” 14
 - 4.7 Relay Latching..... 14
 - 4.8 Default – Factory Settings 15
 - 4.8.1 Select Default Configuration – “dEF” 16
 - 4.8.2 Select Power-Up Test Setting – “PUT” 16
 - 4.8.3 Select Display Configuration – “dSP” 17
 - 4.8.4 Select Buzzer Configuration – “bUZ” 17
 - 4.8.5 Select Alarm 1 Relay Setting – “A1S”..... 17
 - 4.8.6 Select Alarm 1 Relay Config – “A1c” 18
 - 4.8.7 Select Alarm 1 Relay Latching – “A1L” 18
 - 4.8.8 Select Alarm 1 tWa – “A1t” 18
 - 4.8.9 Select Alarm 2 Relay Setting – “A2S” 19
 - 4.8.10 Select Alarm 2 Relay Configuration – “A2c” 19
 - 4.8.11 Select Alarm 2 Relay Latching – “A2L” 19
 - 4.8.12 Select Alarm 3 Relay Setting – “A3S”..... 20
 - 4.8.13 Select Alarm 3 Relay Latching – “A3L” 20
 - 4.8.14 Select Trouble Fan Setting – “tFS” 20
 - 4.8.15 Select Automatic Background Calibration – “Abc” 21
 - 4.8.16 Calibration Period – “CAL” 21


- 5 Troubleshooting 21
 - 5.1 On-Board Diagnostics 21
 - 5.1.1 Trouble Condition 21
 - 5.1.2 “t” Error Codes 22
 - 5.2 Sensor Poisons 23
 - 5.3 End-of-Life Signal 23
- 6 Maintenance 23
 - 6.1 Calibration 24
 - 6.2 Sensor Life Reset 24
 - 6.3 Cleaning 24
- 7 Testing 25
 - 7.1 Testing 25
 - 7.1.1 Operation Test 25
 - 7.1.2 Manual Operation Test 25
 - 7.2 Calibration Kit 26
 - 7.3 Gas Testing 27
 - 7.3.1 Testing the Alarm Relays 27
 - 7.3.2 Aerosol Test 28
 - 7.4 Field Calibration 28
 - 7.4.1 Field Calibration Procedure 28
 - 7.4.2 Time Since Calibration 29
- 8 Appendix A – Table of Figures 30
- 9 Appendix B – Menu Structure 31
 - 9.1 Main Menu 31
 - 9.2 Auto Test “bUZ” Menu 32
 - 9.3 Configuration “CON” Menu 33
 - 9.4 Select Test “tst” Menu 39
 - 9.5 Calibration “CAL” Menu 40
 - 9.6 Sensor Reset “SEN” Menu 41
- 10 Macurco Gas Detection Product limited warranty 42
 - Technical Support Contact Information 42
 - General Contact Information 42



1 General Safety Information

The following instructions are intended to serve as a general guideline for the use of the Macurco CD-6B Carbon Dioxide Detector. This manual is not to be considered all-inclusive, nor is it intended to replace the policy and procedures for your facility. If you have any doubts about the applicability of the equipment to your situation, consult an industrial hygienist or call Technical Support at 1-844-325-3050.

1.1 List of warnings

 WARNING
Each person using this equipment must read and understand the information in this user manual before use. Use of this equipment by untrained or unqualified persons or use that is not in accordance with this user manual, may adversely affect product performance.
Use only for monitoring the gas which the sensor and monitor is designed to detect. Failure to do so may result in exposures to gases not detectable and cause serious injury or death. For proper use, see supervisor or user manual, or contact Technical Support at 1-844-325-3050.
This equipment may not function effectively below 32°F or above 122°F (0°C or above 50°C). Using the detector outside of this temperature range may adversely affect product performance.
This detector helps monitor for the presence and concentration level of a certain specified airborne gas. Misuse may produce an inaccurate reading, which means that higher levels of the gas being monitored may be present and could result in overexposure and cause serious injury or death. For proper use, see supervisor or User manual, or contact Technical Support at 1-844-325-3050.
Do not disassemble unit or attempt to repair or modify any component of this instrument. This instrument contains no user serviceable parts, and substitution of components may impair product performance.
Using a certified gas with a concentration other than the one listed for this detector when conducting a calibration verification test (bump test) or calibration will produce inaccurate readings. This means that higher levels of the gas being monitored may be present and could result in overexposure. For proper use, see supervisor or User manual, or contact Technical Support at 1-844-325-3050.
The following steps must be performed when conducting a calibration verification test (bump test) or calibration to ensure proper performance of the monitor. Failure to do so may adversely affect product performance. <ul style="list-style-type: none">• When performing a calibration verification test (bump test) and calibration only use certified calibration gas at the required concentration level.• Do not test with expired calibration gas.• Do not cover or obstruct display or visual alarm cover.• Ensure sensor inlets are unobstructed and are free of debris Failure to follow instructions outlined in this user manual can result in sickness or death.

2 Use Instructions and Limitations

The Macurco CD-6B is a three relay Carbon Dioxide (CO₂) detector, controller, and transducer available in low voltage.

The CD-6B has three selectable alarm relays, buzzer, and digital display options.

The CD-6B is a low-level meter capable of displaying from 0 to 5.0% vol. with a display resolution of 0.01% vol. (measurement is **% by volume**) of CO₂.

The CD-6B is factory calibrated and 100% tested for proper operation.

The CD-6B has the option to use automated background calibration (Abc) to set the clean air level on a regular basis.

If not using automated background calibration, the CD-6B requires a manual calibration process at a minimum of once every year using the Macurco CD6B-FCK calibration kit.

Carbon dioxide is a colorless, odorless gas that is produced both by people exhaling CO₂ as well the burning of gasoline, coal, oil, and wood. The outdoor concentration of carbon dioxide can vary from 350-450 parts per million (ppm) or higher in areas with high vehicle traffic or industrial activity. The indoor CO₂ level depends upon the number of people present, how long an area has been occupied, the amount of outdoor fresh air entering the area and other factors. CO₂ concentrations indoors can vary several hundred parts per million in areas with many people present for an extended period and where fresh air ventilation is limited. Outdoor "fresh" air ventilation is important as it can dilute CO₂ levels of the indoor environment. The amount of fresh air that should be supplied to a room depends on the type of facility and room. Ventilation should keep carbon dioxide concentrations below 1000 ppm and create indoor air quality conditions that are acceptable to most individuals.

 **WARNING**

Each person using this equipment must read and understand the information in this user manual before use. Use of this equipment by untrained or unqualified persons or use that is not in accordance with this user manual, may adversely affect product performance.

2.1 Use For

The CD-6B provides CO₂ detection and automatic ventilation control for buildings in non-hazardous locations wherever 100 lbs or more of CO₂ is stored – bars, restaurants, breweries, etc.

The Awareness Alarm and Alarm 1 Relay is intended to locally warn users of high level of CO₂. The Alarm 2 Relay and Alarm 3 Relay are intended to sound remote alarm functions to warn building users of high CO₂ concentrations. The CD-6B is not compatible with Macurco DVP Control Panels. The three (3) dry contact relays can be connected back to a Fire or security panel.

 **WARNING**

Use only for monitoring the gas which the sensor and monitor is designed to detect. Failure to do so may result in exposures to gases not detectable and cause serious injury or death. For proper use, see supervisor or user manual, or contact Technical Support at 1-844-325-3050.

2.2 Do NOT use for

The CD-6B is not intended for use in hazardous locations or industrial applications such as refineries, chemical plants, etc. Do not mount the CD-6B where the normal ambient temperature is below 32°F or exceeds 121°F (0°C or above 50°C). The CD-6B mounts on a type 4S electrical box supplied by the contractor. Do not install the CD-6B inside another box unless it has good air flow through it.

WARNING

This equipment may not function effectively below 32°F or above 122°F (0°C or above 50°C). Using the detector outside of this temperature range may adversely affect product performance.

2.3 Features


- ETL LISTED to UL 61010-1, Certified to CSA C22.2#61010-1
- Low level meter capable of displaying from 0 to 5.0% vol. of CO₂ with resolution of 0.01% vol.
- Three dry contact alarm relays for control of ventilation systems / communication with alarm system
- Mounts on a standard 4x4 electrical box and becomes cover for the box
- Supervised system: any internal detector problem will cause the buzzer to activate
- Carbon Dioxide sensor has an expected 15-year life. EOL indicator after 180 months of sensor power-up
- Optional automated background calibration to set the clean air level on a regular basis
- Manual calibration if automated background calibration option is disabled
- One screw access for testing and calibration. Calibration and calibration verification test kit is available.

2.4 Specifications

- Shipping Weight: 1 pound (0.45 kg)
- Size: 4 1/2 x 4 x 2 1/8 in. (11.4 X 11.4 X 5.3 cm)
- Color: White or Dark Gray
- Connections: plugs/terminals
- Mounting box: (not included) 4x4 electric
- Alarm 1 Relay: SPST to switch 2.0A load, up to 240 VAC or 30 VDC
- Alarm 1 Relay configuration: selectable N.O. (default) or N.C.
- Alarm 1 Relay alarm level settings: “diS”, 0.25, 0.50 (default), 1.00, 1.50, 2.00, 2.50, 3.00, 3.50, 4.00, 4.50, 5.00
- Alarm 1 Relay latching: off (on)
- Alarm 1 Relay 8-hour time weighted average option: On (OFF)
- Alarm 1 Relay trouble condition: on (off)
- Alarm 2 Relay: SPST to switch 2.0A load, up to 240 VAC or 30 VDC
- Alarm 2 Relay configuration: selectable N.O. (default) or N.C.
- Alarm 2 Relay alarm level settings: “diS”, 0.25, 0.50, 1.00, 1.50 (default), 2.00, 2.50, 3.00, 3.50, 4.00, 4.50, 5.00
- Alarm 2 Relay latching: off (on)
- Alarm 3 Relay: SPDT to switch 2.0A load, up to 240 VAC or 30 VDC
- Alarm 3 Relay configuration can be wired to N.O. or N.C.
- Alarm 3 Relay alarm level settings: “diS”, 0.25, 0.50, 1.00, 1.50, 2.00, 2.50, 3.00 (default), 3.50, 4.00, 4.50, 5.00
- Alarm 3 Relay latching: on (off)
- Buzzer: 85 dBA at 10cm settable to off or on (default)
- Digital display: 4-digit LED selectable to off or on (default)
- Operating Environment: Temperature range 32°F to 121°F (0°C to 50°C), Humidity range 0 to 85% RH non-condensing, Pressure range 1 ATM ± 20%


- Storage Environment: Temperature range 0°F to 125°F (-18°C to 52°C), Humidity range 0-99% RH non-condensing
- Power: 3 W (max) from 12 to 24 VAC or 12 to 32 VDC
- Current (max) @ 24 VDC: 50 mA in alarm (three relays), 40 mA in alarm (two relays), 30 mA (1 relay only), and 25 mA (standby)

3 Installation and Operating Instructions

 WARNING
This detector helps monitor for the presence and concentration level of a certain specified airborne gas. Misuse may produce an inaccurate reading, which means that higher levels of the gas being monitored may be present and could result in overexposure and cause serious injury or death. For proper use, see supervisor or User manual, or contact Technical Support at 1-844-325-3050.

3.1 Location

Mounting height will be dependent on the application. For applications with CO₂ tanks, mount height should be about one foot above the floor. For indoor air quality, mount detector at breathing level, about 5 feet (1.5 meters) above the floor on a wall or column in a central area where air movement is generally good. The unit, on average, can cover about 5,000 sq. ft. (465 sq. meters). The coverage depends on air movement within the room or facility. Extra detectors may be needed near any areas where people work or where the air is stagnant. The CD-6B mounts on a 4x4 electrical box supplied by the contractor. Do not install the CD-6B inside another box unless it has good air flow through it. Do NOT mount the CD-6B where the normal ambient temperature is below 32°F or exceeds 121°F (below 0°C or above 50°C).

 WARNING
High voltage terminals (120/240 VAC) are located within this detector, presenting a hazard to service technicians. Only qualified technicians should open the detector case and service the internal circuits. Ensure power is de-energized from the detector relays prior to servicing the unit. Failure to do so may result in electrical shock.

3.2 Installation

1. The CD-6B mounts on a 4" square (or 4x4) electrical box supplied by the contractor. Do not mount the CD-6B inside another box, unless it has good air flow through it.
2. Connect the CD-6B to Class 2 Listed power supply only. It is suggested to use a dedicated transformer for powering the unit or units because of possible interferences from other devices on the same power supply.
3. Connect the CD-6B to the control cables with terminal plugs. When making connections, make sure the power is de-energized.
4. There are two terminals for Power: 12 to 24 VAC or 12 to 32 VDC, with no polarity preference.
5. There are two terminals for the dry alarm relay contacts. The alarm relays can switch up to 2.0 A load, up to 240 VAC or 30 VDC. The alarm relays are activated if gas reaches or exceeds the alarm settings. See section [4.5 Default – Factory Settings](#) of these User instructions for details on relay settings.

6. The Alarm 1 Relay and Alarm 2 Relay can be **configured** to normally open (N.O.) (default) or normally closed (N.C.). Alarm 3 Relay can be **wired** N.O or N.C.
7. The relays will activate if the gas concentration exceeds alarm set point. Note that if the alarm relay set point is set to “diS”, the alarm relay will not engage at all.
8. The alarm relays can be configured for latching or non-latching. When latching is set to “On” and the gas concentration exceeds the relay setpoint, power will need to be interrupted or the “TEST” button pressed to un-latch (turn off) the relay condition. When latching is set to “OFF”, the relay will deactivate once the gas concentration drops below the alarm set point.
9. The Alarm 1 Relay will engage in trouble condition (if the Trouble Fan Setting Option is set to “On”) and will disengage once trouble condition is cleared.

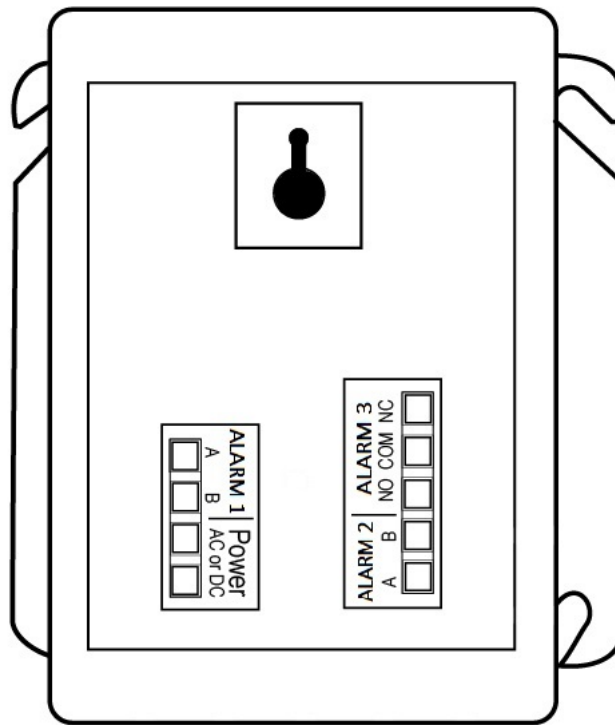


Figure 3-2 CD-6B Rear View

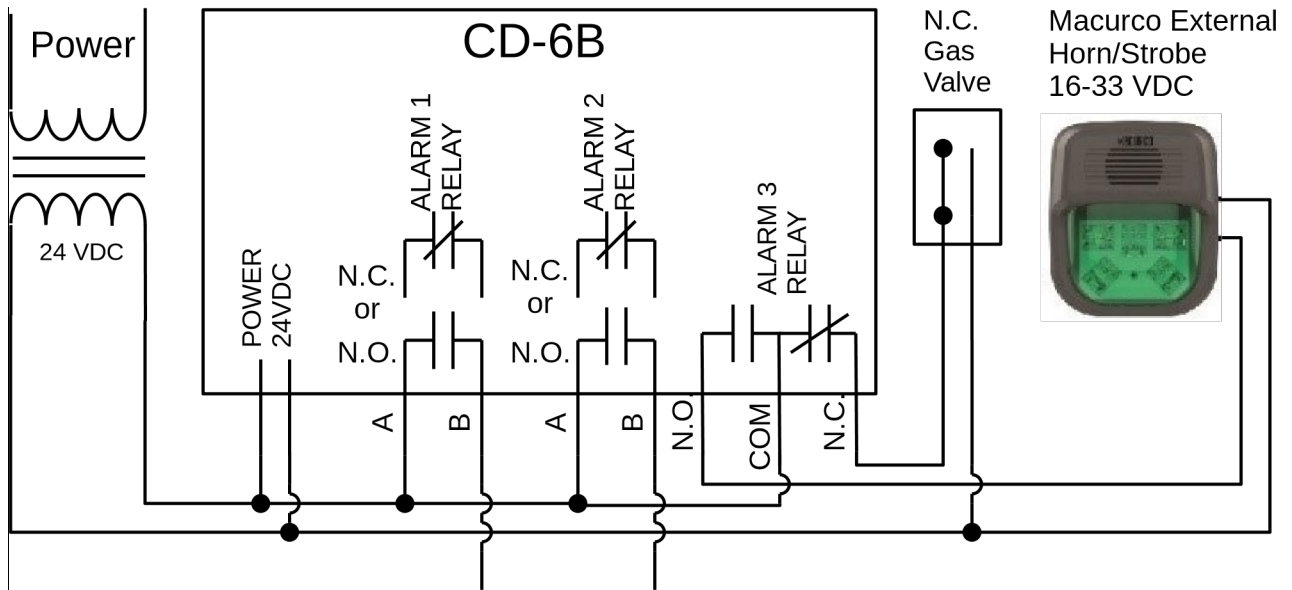


Figure 3-3 CD-6B Typical Installation wiring diagram

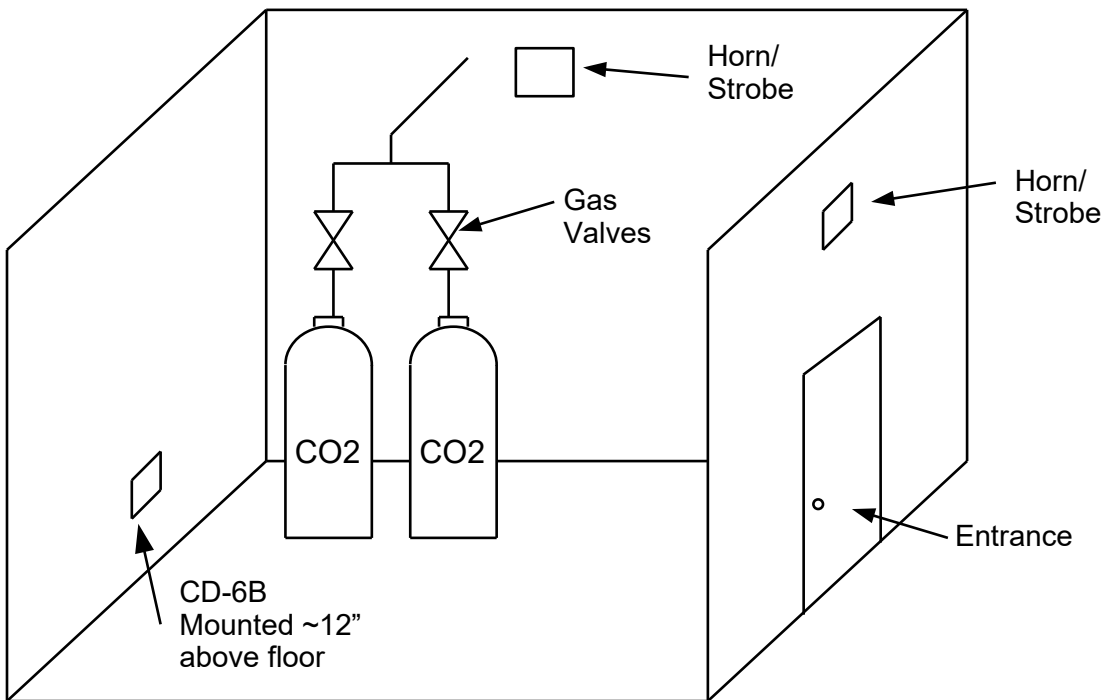


Figure 3-4 CD-6B Typical Installation Layout

NOTE: The detector should be mounted as close to the primary leak source as possible. If the tanks are inside, the detector is typically placed as shown above. If the tanks are outside, the detector is typically placed at the connection points of the conduit.

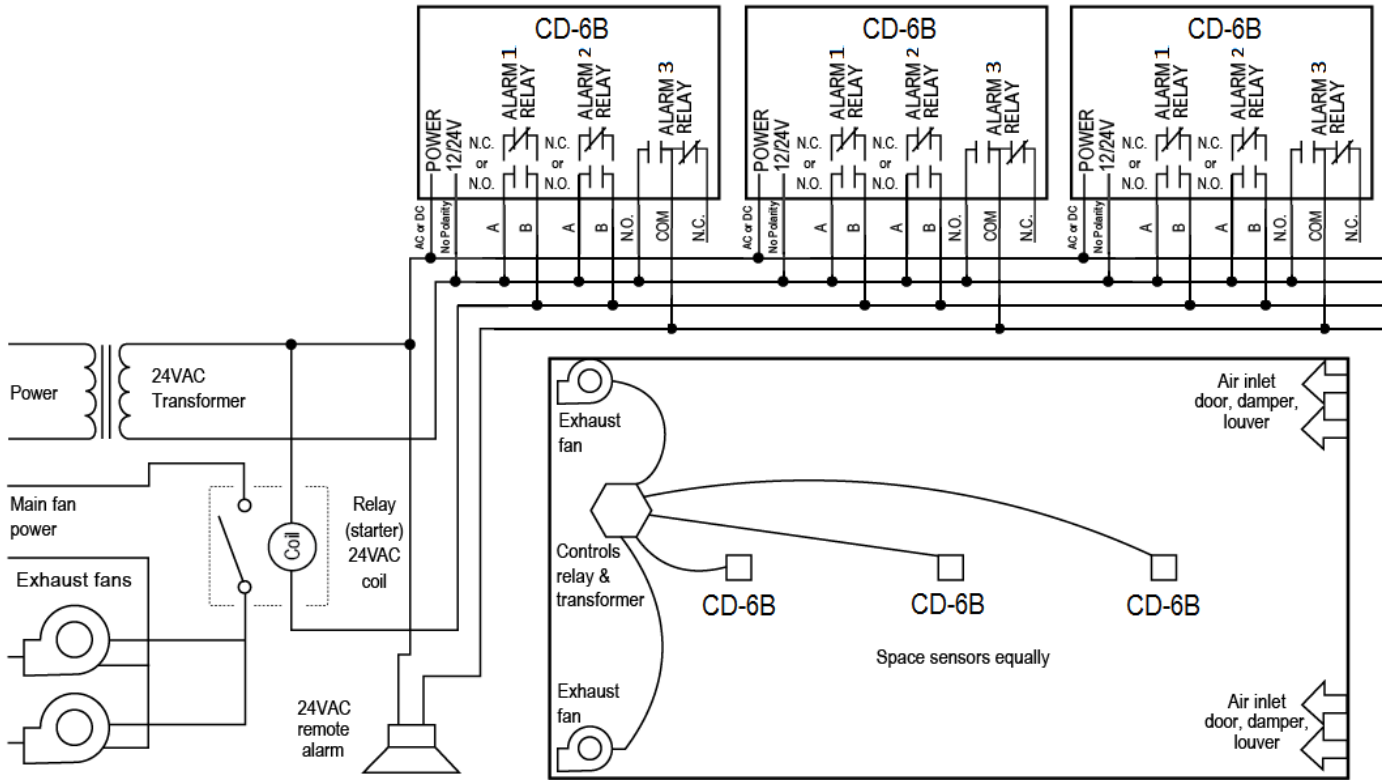


Figure 3-5 CD-6B Multiple Device diagram

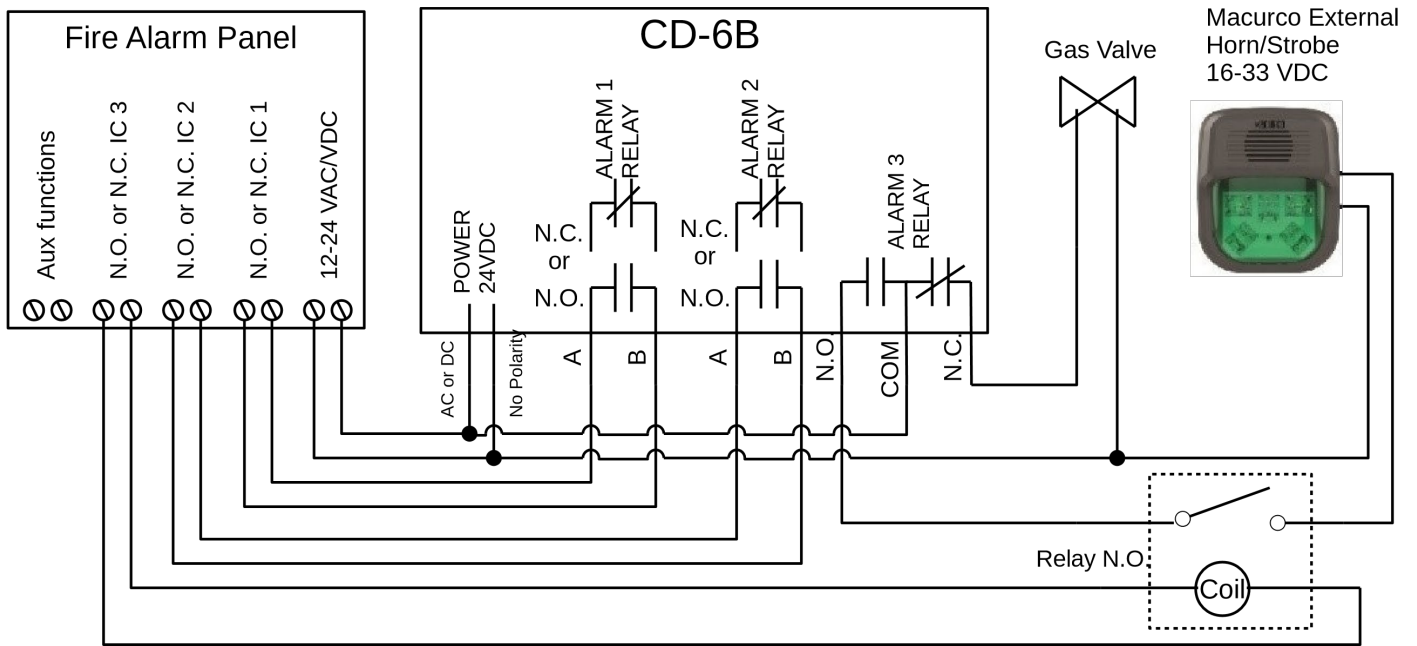


Figure 3-6 CD-6B Alarm Control Panel diagram

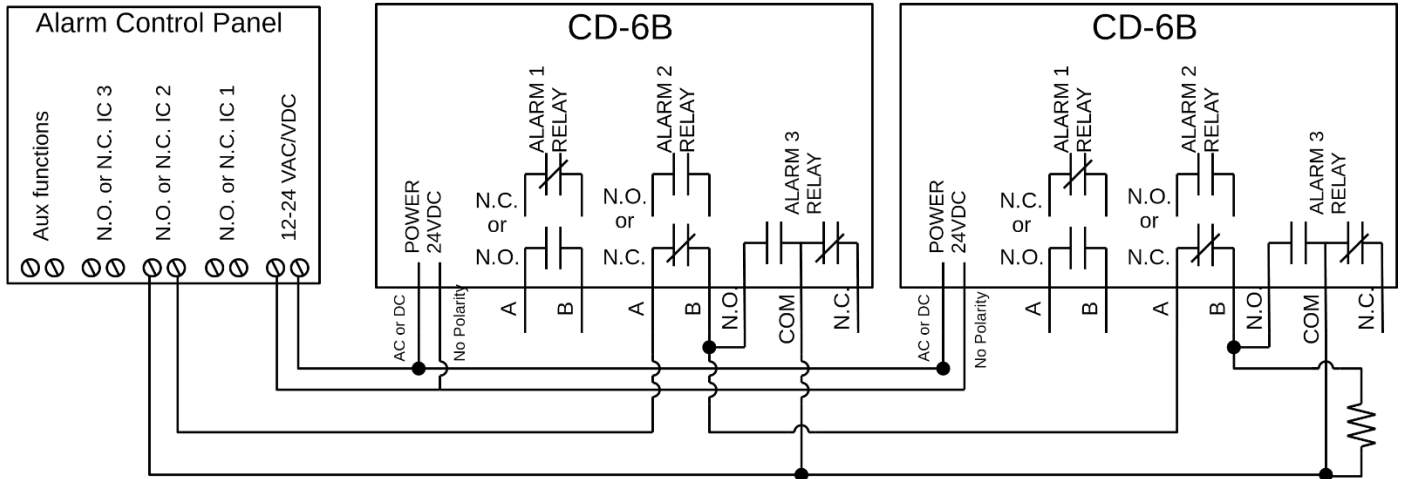


Figure 3-7 CD-6B Alternate Alarm Panel

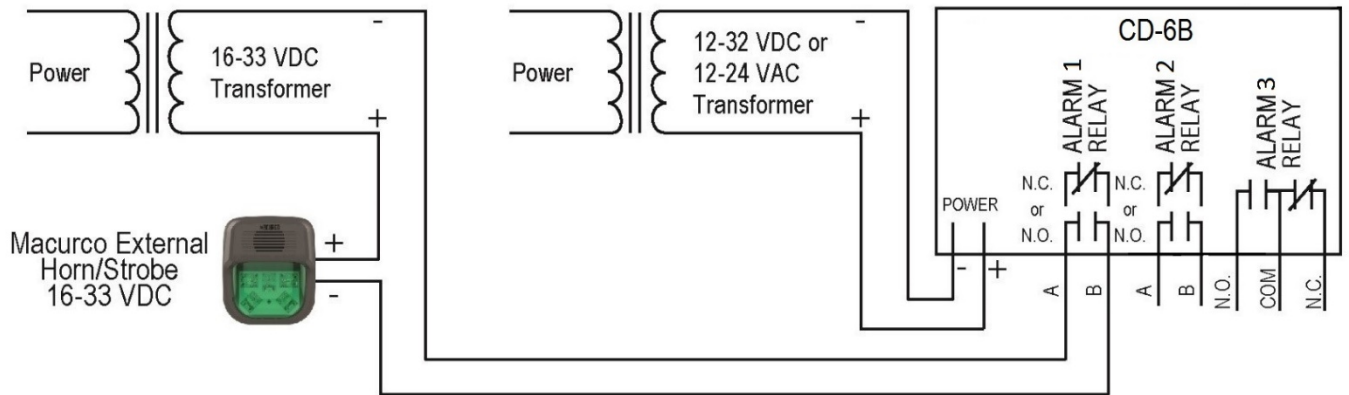


Figure 3-8 CD-6B Horn & Strobe Combo Wiring

3.3 Wiring Connections

All field wiring is completed via modular connectors (provided) except for the safety ground. Read the following specific instructions for each connection first. Then, proceed to section 3.3.5 Install the Wiring.

3.3.1 Power Connection

Connect the CD-6B to Class 2 Listed power supply only. It is suggested to use a separate transformer for powering the unit or units because of possible interferences from other devices on the same power supply. There are two terminals for Power: 12 to 32 VDC Nominal or 12 to 24 VAC Nominal, with no polarity preference.

3.3.2 Alarm 1 Relay Connection

The Alarm 1 Relay connections (A and B) are available at the modular connector. There is no polarity for these connections. The Alarm 1 Relay is SPST to switch 2 A load, up to 240 VAC or 30 VDC.

3.3.3 Alarm 2 Relay Connection

The Alarm 2 Relay connections (A and B) are available at the modular connector. There is no polarity for these connections. The Alarm 2 Relay is SPST to switch 2 A load, up to 240 VAC or 30 VDC.

3.3.4 Alarm 3 Relay Connection

The Alarm 3 Relay connections (NO, COM, NC) are available at the modular connector. There is no polarity for these connections. The Alarm 3 Relay is SPDT to switch 2 A load, up to 240 VAC or 30 VDC.

- a. Connect one wire to NO and one to COM for normally open configuration.
- b. Connect one wire to NC and one to COM for normally closed configuration.

3.3.5 Install the Wiring

To install the wiring, first read the above details for the specific wiring component you are installing. Then, proceed as follows:

1. Make sure the power to the CD-6B is turned off.
2. Locate the modular connectors on the back of the CD-6B. Disconnect the modular connector from the header on the detector.
3. Strip the insulation of each wire back approximately 1/4 in. (6.5 mm).
4. Insert the bare wire into the terminal and tighten the screw clamp. Ensure that the wire cannot easily be pulled from the connector.
5. When the wires are connected, seat the modular connector into the header ensuring that the latch engages.

NOTE: 22 to 12 AWG wire shall be used. Wire used shall meet the temperature range of the detector i.e. 32°F to 121° F (0°C to 50°C).

4 Operations

4.1 Power up

The CD-6B cycles through an internal self-test cycle for the first minute that it is powered. The unit will execute the test cycle any time power is dropped and reapplied (i.e. power failure).

During the entire self-test cycle the indicator LED will flash green.

The display will flash between “Cd6b” and the firmware version for the first 2 seconds, then count down from 60 to 0 (if the display setting (dSP) is “On”).

The Alarm 1 Relay will be active for the entire power on sequence (if PUt is on). The Alarm 2 Relay and Alarm 3 Relay will be activated for the first 10 seconds of power on (if PUt is on).

When the display countdown reaches 0, the unit will take its first sample of air and the indicator LED will turn solid green indicating the completion of the power up test.

4.2 Awareness Alarm

The Awareness Alarm is set at 0.50% vol and is not user configurable. When the gas reading is equal to or greater than 0.50% vol, the unit indicates an Awareness Alarm.

During an Awareness Alarm, the buzzer will beep every 60 seconds. If the display is ON, the display will flash the gas reading.

NOTE: The Awareness Alarm has the lowest alarm priority.

4.3 Alarm 1 Relay

- To set the Alarm 1 Relay set point, use the “A1S” setting in the Configuration menu. The selectable values are “diS”, 0.25, 0.50 (default), 1.00, 1.50, 2.00, 2.50, 3.00, 3.50, 4.00, 4.50, 5.00.
- The Alarm 1 Relay can be triggered by an instantaneous reading or a time weighted average. This can be selected via the “A1t” setting in the Configuration menu. The time weighted average uses readings over the previous 8-hour period to calculate the average. The default setting is “On”.
- The Alarm 1 Relay can be configured to nO or nC. Default is nO. This can be changed via the “A1c” setting in the Configuration menu.
- To set the Alarm 1 latching behavior, use the “A1L” setting in the Configuration menu. Default is non-latching “OFF”.
- If the “tFS” setting is “On” the Alarm 1 Relay will engage during a trouble condition. The default setting is “OFF”. The “tFS” setting can be changed in the Configuration menu.
- Electrical Ratings: SPST to switch 2 A load, up to 240 VAC or 30 VDC

4.4 Alarm 2 Relay

- To set the Alarm 2 Relay set point, use the “A2S” setting in the Configuration menu. The selectable values are “diS”, 0.25, 0.50, 1.00, 1.50 (default), 2.00, 2.50, 3.00, 3.50, 4.00, 4.50, 5.00.
- The Alarm 2 Relay can be configured to nO or nC. Default is nO. This can be changed via the “A2c” setting in the Configuration menu.
- To set the Alarm 2 latching behavior, use the “A2L” setting in the Configuration menu. Default is non-latching “OFF”.
- The Alarm 2 relay responds to instantaneous gas reading only (no time weighted average option).
- Electrical Ratings: SPST to switch 2 A load, up to 240 VAC or 30 VDC

4.5 Alarm 3 Relay

- To set the Alarm 3 Relay set point, use the “A3S” setting in the Configuration menu. The selectable values are “diS”, 0.25, 0.50, 1.00, 1.50, 2.00, 2.50, 3.00 (default), 3.50, 4.00, 4.50, 5.00.
- To set the Alarm 3 latching behavior, use the “A3L” setting in the Configuration menu. Default is latching “ON”.
- The Alarm 3 Relay can be wired to nO or nC. This can only be changed by wiring.
- The Alarm 3 Relay responds to instantaneous gas reading only (no time weighted average option).
- Electrical Ratings: SPDT to switch 2 A load, up to 240 VAC or 30 VDC

4.6 Alarm Behavior

4.6.1 Alarm Priority

From **lowest** to **highest**, the alarm priority is as follows: Awareness Alarm, Alarm 1, Alarm 2, Alarm 3, Trouble Fault.

For example, the trouble condition has the highest priority. Therefore, when there is an occurrence of an alarm and a trouble condition at the same time, the unit behavior (buzzer, display and power LED) will follow the trouble condition.

4.6.2 Display turned “On”

With the display function turned “On”,

- **Clean Air** – and in clean air, the display will show the current concentration of CO₂ in the air.
Note: CO₂ in “clean air” will not show 0 as normal atmospheric CO₂ levels are between 0.03% and 0.05%.
- **Awareness Alarm** - and the CO₂ percentage reaching 0.50%, the display will flash “gas reading”. The buzzer will sound (beep every 60 seconds) if “bUZ” is turned “On”.
- **Alarm 1 level** – and the CO₂ percentage reaching the Alarm 1 Relay setting, the display will flash between “ALr1” and “current gas reading”. The buzzer will sound (beep every second) if “bUZ” is turned “On”.
- **Alarm 2 level** – and the CO₂ percentage reaching the Alarm 2 Relay setting, the display will flash between “ALr2” and “current gas reading”. The buzzer will sound (beep every second) if “bUZ” is turned “On”.
- **Alarm 3 level** – and the CO₂ percentage reaching the Alarm 3 Relay setting, the display will flash between “ALr3” and “current gas reading”. The buzzer will sound (beep every second) if “bUZ” is turned “On”.
- **Trouble** –and the device in a trouble state, the display will show the “t” Error code (t01 for example). If the Trouble Fan Setting “tFS” is enabled, the Alarm 1 Relay will activate. See section [5.1.2 “t” Error Codes](#) and section [4.5.11 Trouble Fan Setting – “tFS”](#).
- **Calibration Due** – With Calibration Period functionality enabled, if a detector is within 1 month of calibration period, the display will flash between “dUE” and current gas reading. Calibration Due is resolved only with a successful field calibration.

4.6.3 Display turned “Off”

With the display function turned off,

- **Clean Air** – and in clean air, the display does not show the CO₂ concentration. Only the Power indicator light on will be on.
- **Awareness Alarm** - and the CO₂ percentage reaching 0.50%, the display will show nothing. The buzzer will sound (beep every 60 seconds) if “bUZ” is turned “On”.
- **Alarm 1 Level** – and the CO₂ percentage reaching the Alarm 1 Relay setting, the display will show “ALr1”. The buzzer will sound (beep every second) if “bUZ” is turned “On”.
- **Alarm 2 Level** – and the CO₂ percentage reaching the Alarm 2 Relay setting, the display will show “ALr2”. The buzzer will sound (beep every second) if “bUZ” is turned “On”.
- **Alarm 3 Level** – and the CO₂ percentage reaching the Alarm 3 Relay setting, the display will show “ALr3”. The buzzer will sound (beep every second) if “bUZ” is turned “On”.
- **Trouble** – and the device in a trouble state, the display will display the “t” Error code (t01 for example). If the Trouble Fan Setting “tFS” is enabled, the Alarm 1 Relay will activate. See section [5.1.2 “t” Error Codes](#) and section [4.5.11 Trouble Fan Setting – “tFS”](#).
- **Calibration Due** – With Calibration Period functionality enabled, if a detector is within 1 month of calibration period, the display will show “dUE” continuously. Calibration Due is resolved only with a successful field calibration.

4.7 Relay Latching

Each alarm relay has the relay latching option. This controls the alarm behavior after an alarm has been activated and the gas concentration returns below the alarm level.

Latching On – When the relay latching option is set to “On” and the gas concentration triggers the alarm, the relay will not deactivate when the gas concentration drops below the alarm level. The power will need to be interrupted or the “ENTER/TEST” button pressed to un-latch (turn off) the relay condition.

When a relay is latched and the reading is below the Alarm threshold or recovered from trouble, the display will flash between “ALrX” and “gas reading” (when display is ON) or solid “ALrX” (when display is OFF) where X is 1,2 or 3 corresponding to Alarm Relay 1, 2 or 3.

Latching Off – With the relay latching option set to “OFF” and the gas concentration dropping below the alarm level, the relays will de-activate and the buzzer will stop.

NOTE: When tFS is “On”, then Alarm Relay 1 is controlled by both A1S and Trouble. So, with tFS “On” and A1L “On” (Alarm Relay 1 set to latched), Alarm Relay 1 will also be latched when the unit goes into trouble.

4.8 Default – Factory Settings

Setting:	Default:
Power Up Test (Put)	Off
Display (dSP)	On
Buzzer (bUZ)	On
Alarm1 Relay Setting (A1S)	0.50
Alarm1 Relay Configuration (A1c)	Normally Open (NO)
Alarm1 Relay Latching (A1L)	Off
Alarm1 Time Weighted Average (A1t)	On
Alarm2 Relay Setting (A2S)	1.50
Alarm2 Relay Configuration (A2c)	Normally Open (NO)
Alarm2 Relay Latching (A2L)	Off
Alarm3 Relay Setting (A3S)	3.00
Alarm3 Relay Latching (A3L)	On
Trouble Fan Setting (tFS)	Off (mapped to Alarm1 relay)
Automatic Background Calibration (Abc)	On
Calibration Interval (CAL) (only visible when Abc is off)	diS

Table 4-1 Default settings

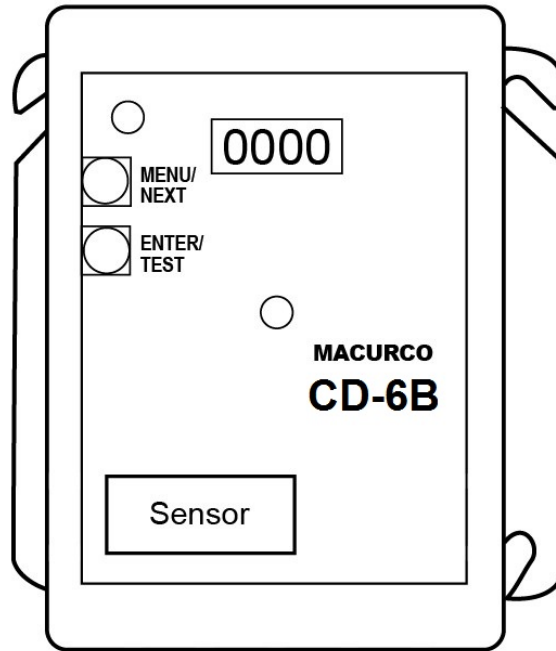


Figure 4-1 Board View

4.8.1 Select Default Configuration – “dEF”

Available options are “YES”, “nO”.

NOTE: This menu cannot be changed when the CD-6B is in calibration due or calibration overdue. (Refer to Section 4.8.16 Calibration Period – “CAL” for information on calibration due and calibration overdue.)

To select the Default Configuration (this will reset the device to its default settings), in normal mode:

1. Push the **Next** button to get to “Con” or the Configuration menu.
2. Push the **Enter** button to enter the Con menu.
3. The first selection is the “dEF” or Default setting. Push **Enter**.
4. If it is already in Default configuration, “YES” will be displayed and there will be no available action. If it is not already in Default configuration, “nO” will be displayed.
5. Push **Next** to change it to “YES” (display will begin flashing).
6. Push **Enter** to confirm resetting the device to its default settings (display will stop flashing).
7. Push **Enter** once more to return to the configuration menu.
8. Push **Next** until “End” is displayed.
9. Push **Enter** to return to normal operation.

4.8.2 Select Power-Up Test Setting – “PUT”

Available options are “OFF”, “On”.

To select the Power Up Test Configuration, in normal mode:

1. Push the **Next** button to get to “Con” or the Configuration menu.
2. Push the **Enter** button to enter the Con menu.

3. Push **Next** 1 time to get to “PUT” or Power Up Test Configuration.
4. Push **Enter**. The display will show the current setting.
5. Push **Next** to cycle through the available settings (display will begin flashing).
6. Push **Enter** to confirm the new setting (display will stop flashing).
7. Push **Enter** once more to return to the configuration menu.
8. Push **Next** until “End” is displayed.
9. Push **Enter** to return to normal operation.

4.8.3 Select Display Configuration – “dSP”

Available options are “OFF”, “On”.

To select the Display Configuration, in normal mode:

1. Push the **Next** button to get to “Con” or the Configuration menu.
2. Push the **Enter** button to enter the Con menu.
3. Push **Next** 2 times to get to “dSP” or Display Configuration.
4. Push **Enter**. The display will show the current setting.
5. Push **Next** to cycle through the available settings (display will begin flashing).
6. Push **Enter** to confirm the new setting (display will stop flashing).
7. Push **Enter** once more to return to the configuration menu.
8. Push **Next** until “End” is displayed.
9. Push **Enter** to return to normal operation.

4.8.4 Select Buzzer Configuration – “bUZ”

Available options are “OFF”, “On”.

To select the Buzzer Configuration, in normal mode:

1. Push the **Next** button to get to “Con” or the Configuration menu.
2. Push the **Enter** button to enter the Con menu.
3. Push **Next** 3 times to get to “bUZ” or Buzzer setting.
4. Push **Enter**. The display will show the current setting.
5. Push **Next** to cycle through the available settings (display will begin flashing).
6. Push **Enter** to confirm the new setting (display will stop flashing).
7. Push **Enter** once more to return to the configuration menu.
8. Push **Next** until “End” is displayed.
9. Push **Enter** to return to normal operation.

4.8.5 Select Alarm 1 Relay Setting – “A1S”

Available options are “dis”, 0.25, 0.50, 1.00, 1.50, 2.00, 2.50, 3.00, 3.50, 4.00, 4.50, 5.00.

To select the Alarm 1 Relay Setting, in normal mode:

1. Push the **Next** button to get to “Con” or the Configuration menu.
2. Push the **Enter** button to enter the Con menu.
3. Push **Next** 4 times to get to “A1S” or Alarm 1 Relay Setting.
4. Push **Enter**. The display will show the current setting.
5. Push **Next** to cycle through the available settings (display will begin flashing).

6. Push **Enter** to confirm the new setting (display will stop flashing).
7. Push **Enter** once more to return to the configuration menu.
8. Push **Next** until “End” is displayed.
9. Push **Enter** to return to normal operation.

4.8.6 Select Alarm 1 Relay Config – “A1c”

Available options are “nO”, “nC”.

To select the Alarm 1 Relay Configuration, in normal mode:

1. Push the **Next** button to get to “Con” or the Configuration menu.
2. Push the **Enter** button to enter the Con menu.
3. Push **Next** 5 times to get to “A1c” or Alarm 1 Relay Configuration.
4. Push **Enter**. The display will show the current setting.
5. Push **Next** to cycle through the available settings (display will begin flashing).
6. Push **Enter** to confirm the new setting (display will stop flashing).
7. Push **Enter** once more to return to the configuration menu.
8. Push **Next** until “End” is displayed.
9. Push **Enter** to return to normal operation.

4.8.7 Select Alarm 1 Relay Latching – “A1L”

Available options are “OFF”, “On”.

To select the Alarm 1 Relay Latching configuration, in normal mode:

1. Push the **Next** button to get to “Con” or the Configuration menu.
2. Push the **Enter** button to enter the Con menu.
3. Push **Next** 6 times to get to “A1L” or Alarm 1 Relay Latching.
4. Push **Enter**. The display will show the current setting.
5. Push **Next** to cycle through the available settings (display will begin flashing).
6. Push **Enter** to confirm the new setting (display will stop flashing).
7. Push **Enter** once more to return to the configuration menu.
8. Push **Next** until “End” is displayed.
9. Push **Enter** to return to normal operation.

4.8.8 Select Alarm 1 tWa – “A1t”

Available options are “OFF”, “On”.

To select the Alarm 1 tWa, in normal mode:

1. Push the **Next** button to get to “Con” or the Configuration menu.
2. Push the **Enter** button to enter the Con menu.
3. Push **Next** 7 times to get to “A1t” or Alarm 1 tWa.
4. Push **Enter**. The display will show the current setting.
5. Push **Next** to cycle through the available settings (display will begin flashing).
6. Push **Enter** to confirm the new setting (display will stop flashing).
7. Push **Enter** once more to return to the configuration menu.
8. Push **Next** until “End” is displayed.

9. Push **Enter** to return to normal operation.

4.8.9 Select Alarm 2 Relay Setting – “A2S”

Available options are “dis”, 0.25, 0.50, 1.00, 1.50, 2.00, 2.50, 3.00, 3.50, 4.00, 4.50, 5.00.

To select the Alarm 2 Relay Setting, in normal mode:

1. Push the **Next** button to get to “Con” or the Configuration menu.
2. Push the **Enter** button to enter the Con menu.
3. Push **Next** 8 times to get to “A2S” or Alarm 2 Relay Setting.
4. Push **Enter**. The display will show the current setting.
5. Push **Next** to cycle through the available settings (display will begin flashing).
6. Push **Enter** to confirm the new setting (display will stop flashing).
7. Push **Enter** once more to return to the configuration menu.
8. Push **Next** until “End” is displayed.
9. Push **Enter** to return to normal operation.

4.8.10 Select Alarm 2 Relay Configuration – “A2c”

Available options are “nO”, “nC”.

To select the Alarm 2 Relay Configuration, in normal mode:

1. Push the **Next** button to get to “Con” or the Configuration menu.
2. Push the **Enter** button to enter the Con menu.
3. Push **Next** 9 times to get to “A2c” or Alarm 2 Relay Configuration.
4. Push **Enter**. The display will show the current setting.
5. Push **Next** to cycle through the available settings (display will begin flashing).
6. Push **Enter** to confirm the new setting (display will stop flashing).
7. Push **Enter** once more to return to the configuration menu.
8. Push **Next** until “End” is displayed.
9. Push **Enter** to return to normal operation.

4.8.11 Select Alarm 2 Relay Latching – “A2L”

Available options are “OFF”, “On”.

To select the Alarm 2 Relay Latching configuration, in normal mode:

1. Push the **Next** button to get to “Con” or the Configuration menu.
2. Push the **Enter** button to enter the Con menu.
3. Push **Next** 10 times to get to “A2L” or Alarm2 Relay Latching.
4. Push **Enter**. The display will show the current setting.
5. Push **Next** to cycle through the available settings (display will begin flashing).
6. Push **Enter** to confirm the new setting (display will stop flashing).
7. Push **Enter** once more to return to the configuration menu.
8. Push **Next** until “End” is displayed.
9. Push **Enter** to return to normal operation.

4.8.12 Select Alarm 3 Relay Setting – “A3S”

Available options are “diS”, 0.25, 0.50, 1.00, 1.50, 2.00, 2.50, 3.00, 3.50, 4.00, 4.50, 5.00.

To select the Alarm 3 Relay Setting, in normal mode:

1. Push the **Next** button to get to “Con” or the Configuration menu.
2. Push the **Enter** button to enter the Con menu.
3. Push **Next** 11 times to get to “A3S” or Alarm 1 Relay Setting.
4. Push **Enter**. The display will show the current setting.
5. Push **Next** to cycle through the available settings (display will begin flashing).
6. Push **Enter** to confirm the new setting (display will stop flashing).
7. Push **Enter** once more to return to the configuration menu.
8. Push **Next** until “End” is displayed.
9. Push **Enter** to return to normal operation.

4.8.13 Select Alarm 3 Relay Latching – “A3L”

Available options are “OFF”, “On”.

To select the Alarm 3 Relay Latching configuration, in normal mode:

1. Push the **Next** button to get to “Con” or the Configuration menu.
2. Push the **Enter** button to enter the Con menu.
3. Push **Next** 12 times to get to “A3L” or Alarm3 Relay Latching.
4. Push **Enter**. The display will show the current setting.
5. Push **Next** to cycle through the available settings (display will begin flashing).
6. Push **Enter** to confirm the new setting (display will stop flashing).
7. Push **Enter** once more to return to the configuration menu.
8. Push **Next** until “End” is displayed.
9. Push **Enter** to return to normal operation.

4.8.14 Select Trouble Fan Setting – “tFS”

Available options are “OFF”, “On”.

To select the Trouble Fan Setting, in normal mode:

If turned on, the Trouble Fan Setting will activate when the Alarm 1 relay is activated.

1. Push the **Next** button to get to “Con” or the Configuration menu.
2. Push the **Enter** button to enter the Con menu.
3. Push **Next** 13 times to get to “tFS” or Trouble Fan Setting.
4. Push **Enter**. The display will show the current setting.
5. Push **Next** to cycle through the available settings (display will begin flashing).
6. Push **Enter** to confirm the new setting (display will stop flashing).
7. Push **Enter** once more to return to the configuration menu.
8. Push **Next** until “End” is displayed.
9. Push **Enter** to return to normal operation.

4.8.15 Select Automatic Background Calibration – “Abc”

Available options are “OFF”, “On”.

NOTE: This setting cannot be changed when unit is in Calibration Due or Calibration Overdue (“t 80” error code).

To select the Automatic Background Calibration setting, in normal mode:

1. Push the **Next** button to get to “Con” or the Configuration menu.
2. Push the **Enter** button to enter the Con menu.
3. Push **Next** 14 times (15 times if current setting is “OFF”) to get to “Abc” or Automatic Background Calibration.
4. Push **Enter**. The display will show the current setting.
5. Push **Next** to cycle through the available settings (display will begin flashing).
6. Push **Enter** to confirm the new setting (display will stop flashing).
7. Push **Enter** once more to return to the configuration menu.
8. Push **Next** until “End” is displayed.
9. Push **Enter** to return to normal operation.

4.8.16 Calibration Period – “CAL”

This option is **only available when “Abc” is turned “OFF”**.

The value selected in Calibration Period settings is number of months. The CD-6B indicates a “calibration due” when it is within 1 month of the calibration period, and “calibration overdue” when the detector has reached or exceeded the calibration period. The Calibration Period Settings cannot be changed if the CD-6B is indicating “calibration due” or “calibration overdue”.

To select the Calibration Period Option, in normal mode:

1. Push the **Next** button to get to “Con” or the Configuration menu.
2. Push the **Enter** button to enter the Con menu.
3. Push **Next** 14 times to get to “CAL” or Calibration Period setting.
4. Push **Enter**. The display will show the current setting.
5. The default setting is “DIS”. Push **Next** to change it to 3, 6, 12 or 24 (flashing).
6. Push **Enter** to confirm the change (solid).
7. Push **Enter** again to return to “CAL” in the Con menu.
8. Push **Next** until “End” is displayed.
9. Push **Enter** to return to normal operation.

5 Troubleshooting

5.1 On-Board Diagnostics

The CD-6B monitors all critical functions of the unit through software diagnostics that continuously test and verify unit operations.

5.1.1 Trouble Condition

If a problem is found, the unit will switch to a fail-safe/error mode or trouble condition. In this error mode, the

- Alarm 1 Relay will be activated if tFS is On.

- unit will display the error code.
- green status indicator LED light will flash.
- buzzer will chirp intermittently.

To clear this mode, turn off power to the unit for a few seconds or push the **ENTER/TEST** button (inside the unit). This will cause the unit to restart the 1-minute self-test cycle.

5.1.2 “t” Error Codes

During a trouble condition, the display will show a “t” error code. Trouble is indicated on display by alternating every second “t XX” and “tYYY”, if XX is not zero, or “tYYY” only if XX is zero. Table 1 below shows the description of the problem associated with each “t” error code.

t XX	
t 01	Sensor Fatal Error (transmitted by the sensor) or Wrong Sensor Type (happens when firmware detects that a 5 %VOL sensor is not installed)
t 02	Sensor Offset Regulation Error (transmitted by the sensor)
t 04	Sensor Algorithm Error (transmitted by the sensor)
t 08	Sensor Output Error (transmitted by the sensor)
t 10	Sensor Self Diagnostic Error (transmitted by the sensor)
t 20	Sensor Out of Range Error (transmitted by the sensor)
t 40	Sensor Memory Error (transmitted by the sensor)
t 80	Calibration overdue* (set by firmware)
tYYY	
t001	Missing Sensor (At Power Up only)
t004	EEPROM bad checksum
t008	Modbus communication error (during normal operation)
t010	Bad EEPROM
t020	Bad calibration
t040	Factory calibration failure: temperature, zero, span or never calibrated
t080	Factory pressure sensor fail
t100	Under range
t200	Sensor expired (see section 5.3 End-of-Life Signal to resolve error)
t400	Pressure sensor fault
t800	Board not tested

Table 5-1 “t” Error Code Descriptions

If the trouble condition repeats frequently, check for continuous power and proper voltage. If power is not the problem and a unit has repeating trouble conditions, it may need to be returned to Macurco for service, per these User Instructions.

Multiple Error Codes – If multiple error codes occur simultaneously, the different error codes will be added together into one combined error code. For example, “t 08” and “t 80” occurring simultaneously will display as “t 88”.

If the sum for a digit (ones, tens or hundreds) is greater than 9, it will display the corresponding hexadecimal representation (see Table 2 - Decimal to Hexadecimal conversion below) of the sum. For example, if “t 02” and t “08” exist at same time, the unit will display “t 0A” (2 +8 = 10 and the hexadecimal equivalent of 10 = A). Similarly, if “t 40” and “t 80” exist at the same time, the unit will display “t c0”. This applies for both “t XX” and “tYYY” error codes.

Decimal Number	Hexadecimal Representation shown on display
10	A
11	b
12	c
13	d
14	E
15	F

Table 5-2 – Decimal to Hexadecimal conversion

5.2 Sensor Poisons

Unlike traditional catalytic bead and electrochemical sensors, IR sensors use a light source and a receptor to detect a specific gas. Therefore, the sensor is less likely to be affected by inhibitors or poison significantly enhancing safety and sensor life.

5.3 End-of-Life Signal

The non-replaceable infrared sensor (IR Sensor) of the CD-6B has a long life. Fifteen (15) years after the CD-6B is installed, the sensor end-of-life signal will be activated indicating that the CD-6B has reached the end of its typical usable life. The end-of-life signal will cause an error code t200 “Sensor expired”. See section [5.1.2 “t” Error Codes](#). The end-of-life signal can be silenced for 48 hours by pressing the **ENTER/TEST** button or by temporarily dropping power to the unit. The end-of-life signal provides the user an opportunity to test and/or calibrate the sensor assuring that it is still performing within acceptable parameters though the sensor is nearing the end of its expected life. The silence function will continue to be available for 29 days after the CD-6B initiates the initial end-of-life signal. After this 29-day period, the CD-6B can no longer be silenced, and the unit must be replaced.

 WARNING
Do not disassemble unit or attempt to repair or modify any component of this instrument. This instrument contains no user serviceable parts, and substitution of components may impair product performance.

6 Maintenance

The CD-6B is low maintenance. The unit uses a long life NDIR sensor that has a 15-year life expectancy (in normal conditions).

All maintenance and repair of products manufactured by Macurco are to be performed at the appropriate Macurco manufacturing facility. Macurco does not sanction any third-party repair facilities.

6.1 Calibration

The CD-6B uses an optional automated background calibration “Abc” to set the clean air level. The CD-6B will maintain accuracy if it is exposed to the “clean air reference value” (this reference value is the lowest concentration to which the sensor is exposed) at least once per week.

NOTE: This applies when used in the typical indoor ambient air with weekly unoccupied periods.

If automated background calibration “Abc” is disabled, manual calibration at regular intervals will be required to reliably maintain accuracy (See section 7 Testing). The device can be set to issue calibration reminders using the Calibration Period “CAL” setting (see section 4.8.16).

6.2 Sensor Life Reset

The Sensor Life can be extended only by 1 year, so the sensor life reset option is not available once the extended 1 year is over.

After resetting the sensor life, the unit will still indicate a “t 80” error and will need to be calibrated before it can be used for the extended 1-year life.

To reset the sensor life,

1. Remove the Philips screw on the front of the CD-6B. Pull the front cover of the unit off.
2. From normal mode, press **NEXT** four times. The display will show “SEn” or Sensor Mode.
3. Press **ENTER**. The display will show “rSt” or Reset Sensor Mode.
4. Press **ENTER** to see the sensor reset status.
5. If the sensor life has already been reset, “don” will be displayed. If it has not been reset, “no” will be displayed. Press **NEXT** to change it to “YES” (flashing).
6. Press **ENTER** to confirm the change (solid) and press **ENTER** again to return to “rSt” in the “SEn” menu.
7. Press **NEXT** until “End” is displayed then press **ENTER** to get back to normal operation. The sensor life will be reset for 1 year.

6.3 Cleaning

Cleaning of the external surfaces is best carried out using a damp cloth with a mild detergent or soap. Use a vacuum cleaner with a soft brush to remove dust or contamination under the cover. Do not blow out the sensor with compressed air.

CAUTION

Avoid the use of harsh cleaning materials, abrasives and other organic solvents. Such materials may permanently scratch the surfaces and damage the display window, labels, sensor or instrument housing. High voltage terminals (100-240VAC) are located within this detector, presenting a hazard to service technicians. Only qualified technicians should open the detector case and service the internal circuits. Ensure power is removed from the detector prior to cleaning the unit.

7 Testing

WARNING

Using a certified gas with a concentration other than the one listed for this detector when conducting a calibration verification test (bump test) will produce inaccurate readings. This means that higher levels of the gas being monitored may be present and could result in overexposure. For proper use, see supervisor or User manual, or contact Technical Support at 1-844-325-3050.

All CD-6B units are factory calibrated and 100% tested for proper operation. During normal operation, the green status indicator LED light will be on steady and the alarm relays will be in standby mode.

The unit also performs a regular automatic self-test during normal operation. If the unit detects an improper voltage or inoperable component, it will default into Error mode. In error mode, the Alarm 1 Relay will be activated if tFS is On, the unit will display the error code, the green status indicator LED light will flash, and the buzzer will chirp intermittently.

7.1 Testing

Before performing a test, check that the green CD-6B status indicator LED light is illuminated continuously. If not, do not proceed with the tests. If the unit is in error mode, contact your local representative or Macurco technical support representative for information on resolving the problem.

7.1.1 Operation Test

An operation test will initiate the following sequence of tests:

1. Buzzer – On for 3 seconds, display flashing bUZ when buzzer is On.
2. Alarm 1 Relay – Energized for 5 seconds, display flashing A1rt when relay is On.
3. Alarm 2 Relay – Energized for 5 seconds, display flashing A2rt when relay is On.
4. Alarm 3 Relay – Energized for 5 seconds, display flashing A3rt when relay is On.

NOTE: If an alarm relay setting has been disabled “diS”, it will not appear in the operation test sequence.

To perform an operation test,

1. Remove the single screw in the middle of the front cover of the CD-6B.
2. Remove the front cover.
3. Observe the LED light on the front of the CD-6B. If the light is solid green proceed to step 5.
4. If the green status indicator LED light is off or flashing, refer to the General section above.
5. Locate the button labeled **ENTER/TEST** on the left side of the printed circuit board. Press **ENTER/TEST**.
6. The CD-6B will step through an operation test as described above.
7. When testing is completed, reassemble the unit.

7.1.2 Manual Operation Test

This option gives the user the opportunity to manually initiate an individual test for the buzzer (bUZ), Alarm 1 Relay (A1rt), Alarm 2 Relay (A2rt), Alarm 3 Relay (A3rt), and the sensor response to gas (gtS).

During each test, the following will occur:

- **bUZ** – Buzzer Test, 3 seconds, display flashing bUZ whe buzzer is On


- **A1rt** – Alarm 1 Relay Test, energized for 5 seconds, display flashing A1rt
- **A2rt** – Alarm 2 Relay Test, energized for 5 seconds, display flashing A2rt
- **A3rt** – Alarm 3 Relay Test, energized for 5 seconds, display flashing A3rt
- **gtS** – Gas Test, 3 minutes, display flashes between gtS and current gas reading, green LED blinking, relays are not triggered by gas reading, green LED continues blinking for another minute then becomes solid green

NOTE: If an alarm relay setting has been disabled “diS”, the test selection will not be displayed in the test menu.

To perform a manual operation test,

1. From normal operation mode press the **NEXT** button 2 times to get to the Test Mode (tSt).
2. Press the **ENTER** button once to get into the Test Menu.
3. Press the **NEXT** button to scroll through the five test options.
4. Press **ENTER** to initiate the selected test.
5. Once the test is complete, the display will return to a steady display.
6. Press **NEXT** until “End” is displayed to exit the test menu.
7. Press **ENTER** to return to normal mode.

7.2 Calibration Kit

 WARNING
The following steps must be performed when conducting a calibration verification test (bump test) and calibration to ensure proper performance of the monitor. Failure to do so may adversely affect product performance.
<ul style="list-style-type: none">• When performing a calibration verification test (bump test) and calibration only use certified calibration gas at the required concentration level.• Do not test with expired calibration gas.• Do not cover or obstruct display or visual alarm cover.• Ensure sensor inlets are unobstructed and are free of debris
Failure to follow instructions outlined in this user manual can result in sickness or death.

A Field Calibration Kit, CD6B-FCK, is needed to complete a field calibration. These are available through local distribution.

- Gas cylinder –
 - 17L 400 ppm carbon dioxide (CO₂) in air
 - 17L 5% volume carbon dioxide (CO₂) in air
- Gas regulator 0.2 LPM
- About two feet of tubing
- CD-6-CH calibration hood
- Carry case

FCK Information

Several detectors can be calibrated with one FCK. The only limitation is the amount of gas in the cylinder. The 17-liter cylinder has approximately 85 minutes of continuous calibration run time. Replacement cylinders are available.

The gas cylinder should be replaced when the pressure gauge on the regulator shows 25-psi or less or has reached its expiration date.

NOTE: For optimum calibration results, it is suggested that the unit be in clean air, green light on, and be in a low ambient air flow.

NOTE: CD-6B must be tested or calibrated at regular intervals in accordance with the requirements of the National Fire Protection Association (NFPA) 720 or local code requirements. It is recommended to test or calibrate CD-6B at least annually.

7.3 Gas Testing

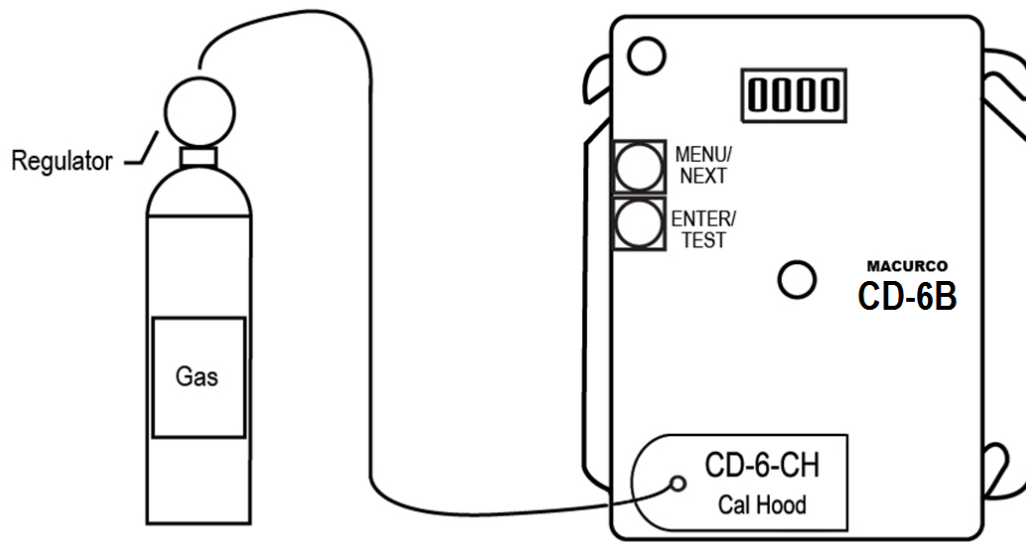


Figure 7-1 CD-6B Calibration Connection

7.3.1 Testing the Alarm Relays

NOTE: The CO₂ concentration required to activate the alarm relays depends on the alarm relay settings.

1. Connect the 5% vol. cylinder of carbon dioxide to the regulator.
2. Check the pressure gauge on the regulator. If you have 25-psi or less, you will need to replace the gas canister. Check the expiration date on the cylinder, if it has passed the expiration date the cylinder should be replaced.
3. Place the Test Hood over the CO₂ sensor. Turn on the regulator to start the gas flow.
4. The alarm relays should activate according to the settings.
5. With the display function turned "On" and the CO₂ concentration reaching the Alarm 1 Relay setting, the display will flash between "ALr1 and "current gas reading". The buzzer will sound indicating "Alarm" if the buzzer is turned "On". With the display function turned off the display does not show the CO₂ concentration but will show "ALr1" when the Alarm 1 relay is activated.

NOTE: If the Alarm relay fails to operate within 2 minutes, there are four possibilities:

- a. The detector has the alarm relay disabled (diS). Set the desired Alarm relay to 1.5% and repeat the test.

- b. The gas cylinder is empty, check the pressure gauge. Replace the gas cylinder if 25-psi or less.
 - c. Unit needs to be re-calibrated (automated background calibration or manual calibration and re-test).
 - d. The detector needs servicing (return unit to the factory for servicing).
6. Remove the gas from the sensor and replace the top cover.

7.3.2 Aerosol Test

Macurco does not currently have an aerosol option for testing the CD-6B.

7.4 Field Calibration

If automated background calibration is disabled, a periodic manual field calibration will be required. The CD-6B has a top-level menu “CAL” that can be used to perform a field calibration.

NOTE: The “CAL” menu is not available when “Abc” is turned “On”.

7.4.1 Field Calibration Procedure

For optimum calibration results the unit should be in clean air and be in a low ambient air flow.

To perform a field calibration,

1. Remove the Philips screw on the front of the CD-6B. Remove the front cover.
2. Open the Field Calibration Kit. Connect the 400-ppm carbon dioxide gas cylinder to the regulator.
3. Check the pressure gauge on the regulator. If you have 25-psi or less, you will need to replace the gas canister. Check the expiration date on the cylinder, if it has passed the expiration date the cylinder should be replaced.
4. Assemble regulator, hose, and Calibration Hood and place the hood over the CO₂ sensor.
5. Turn on the regulator to start the gas flow and wait with the gas applied continuously.
6. On the detector press the **MENU/NEXT** button three times to get to the “CAL” menu.
7. Press the **ENTER/TEST** button.
8. The display will show “tSC” (if automated background calibration “Abc” is turned OFF). Press **MENU/NEXT** to go to “Spn”.
9. Press **ENTER/TEST**.
10. Calibration starts and the following sequence will be observed:
 - a. c119 and 0.04 flashing and green LED blinking, where the value after c decreases by 2 with every flash
 - b. After c90 it will flash between current gas reading and c90, where the value after c decreases by 2 every flash
 - c. After 2 minutes, the display will count down showing “CAL7”, “CAL6”, “CAL5”, “CAL4”, “CAL3”, “CAL2”, “CAL1”.
 - d. The display will show “PASS” alternating with “0.04” after successful field calibration.
 - e. Green LED flashes for another 1 minute.
 - f. When green LED is solid, the LED display also goes back to normal displaying the current gas reading.
11. If the calibration fails, the display will flash between “gas reading” and “FAil” for 30 seconds.

NOTE: The “bad calibration” error code will only be cleared by a successful calibration of the sensor.

If calibration failure occurs, check the pressure gauge on the regulator. If the pressure is less than 25 psi, the

flow of gas may not be adequate to properly calibrate the unit. If there is proper pressure in the cylinder repeat steps 5 through 12. If the unit fails to calibrate twice contact Technical Support: 1-844-325-3050.

NOTE: It is critical to confirm 400ppm CO₂ gas is used for calibration.

12. Once the calibration has passed, remove gas and disassemble the cylinder and regulator.
13. Re-assemble the CD-6B (make sure the LED is aligned with the front case hole).
14. See Calibration Flowchart on the inside of the housing, or section [9.5 CAL Menu](#).

7.4.2 Time Since Calibration

The CD-6B records the length of time since the last calibration.

NOTE: Time since calibration “tSC” is visible only when the “Abc” option in the configuration menu (see section 4.8.15) is set to “OFF”.

To view the time since calibration,

1. Press **MENU/NEXT** three times to get to the “CAL” menu.
2. Press **ENTER/TEST**.
3. The display will show “tSC” (only if automated background calibration “Abc” is turned OFF). Press **ENTER/TEST**.
4. The display will show the time since calibration. The value is displayed in the format Y.MM where “Y” is number of years and “MM” is number of months. For example, 1 year and 6 months will be displayed “1.06”.
5. Press **ENTER/TEST** to return to the “CAL” menu.

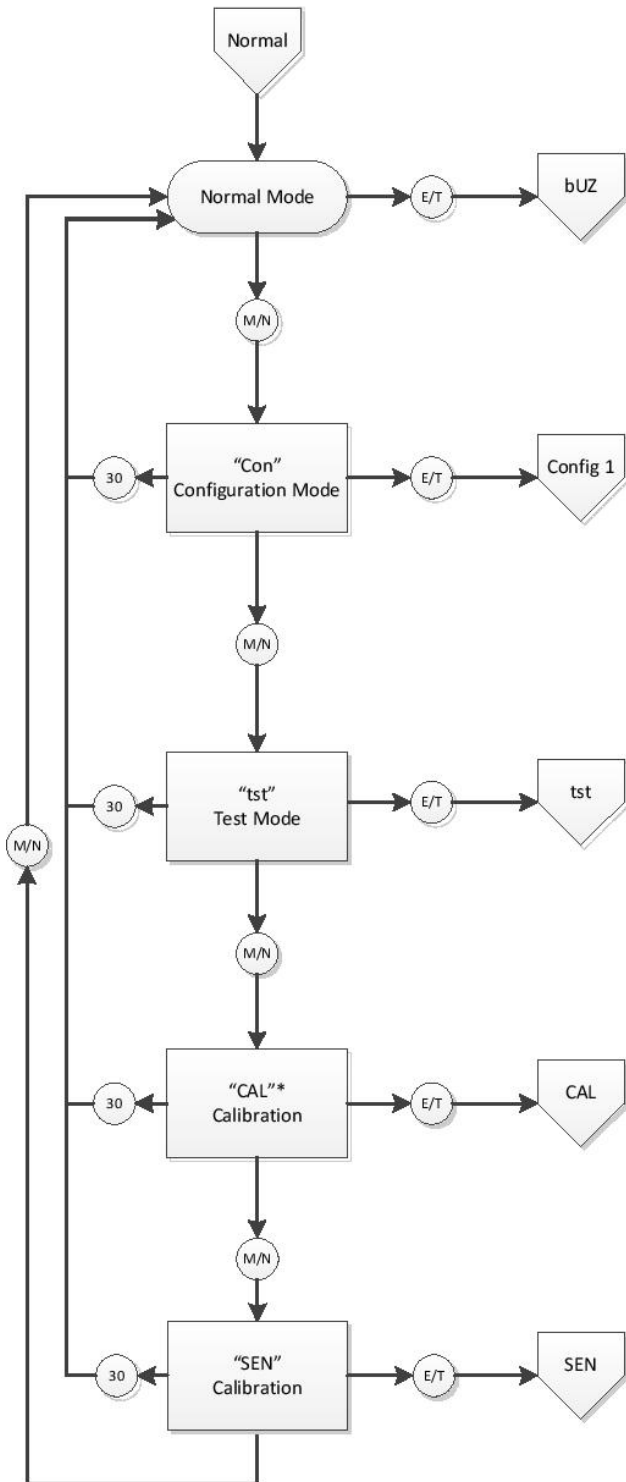
8 Appendix A – Table of Figures

Figure 3-2 CD-6B Rear View.....	8
Figure 3-3 CD-6B Typical Installation wiring diagram.....	9
Figure 3-4 CD-6B Typical Installation Layout.....	9
Figure 3-5 CD-6B Multiple Device diagram	10
Figure 3-6 CD-6B Alarm Control Panel diagram	10
Figure 3-7 CD-6B Alternate Alarm Panel	11
Figure 3-8 CD-6B Horn & Strobe Combo Wiring	11
Table 4-1 Default settings.....	15
Figure 4-1 Board View	16
Table 5-1 "t" Error Code Descriptions	22
Table 5-2 – Decimal to Hexadecimal conversion	23
Figure 7-1 CD-6B Calibration Connection.....	27







9 Appendix B – Menu Structure

9.1 Main Menu

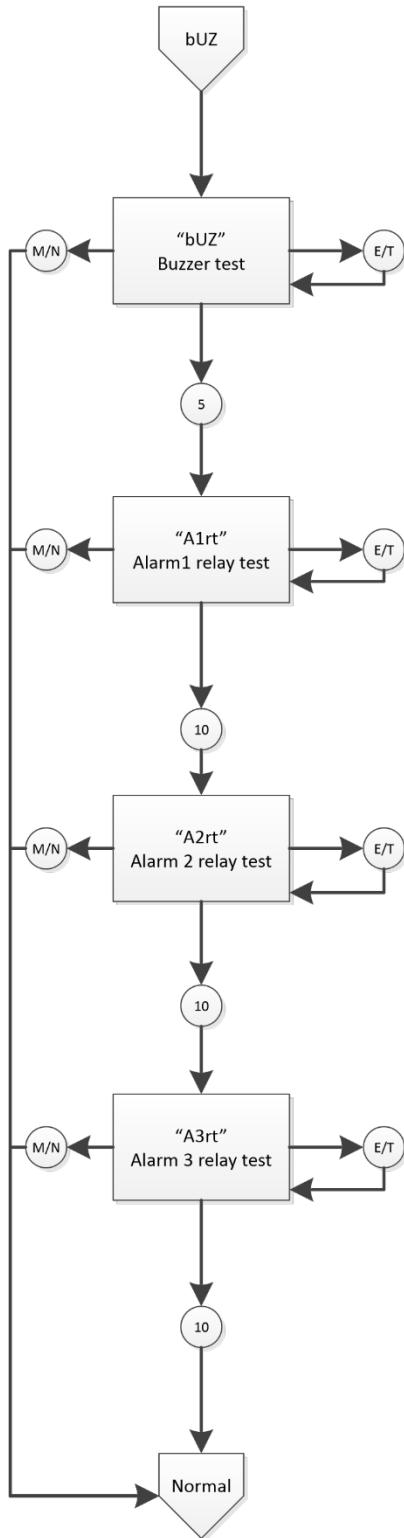


NOTES:

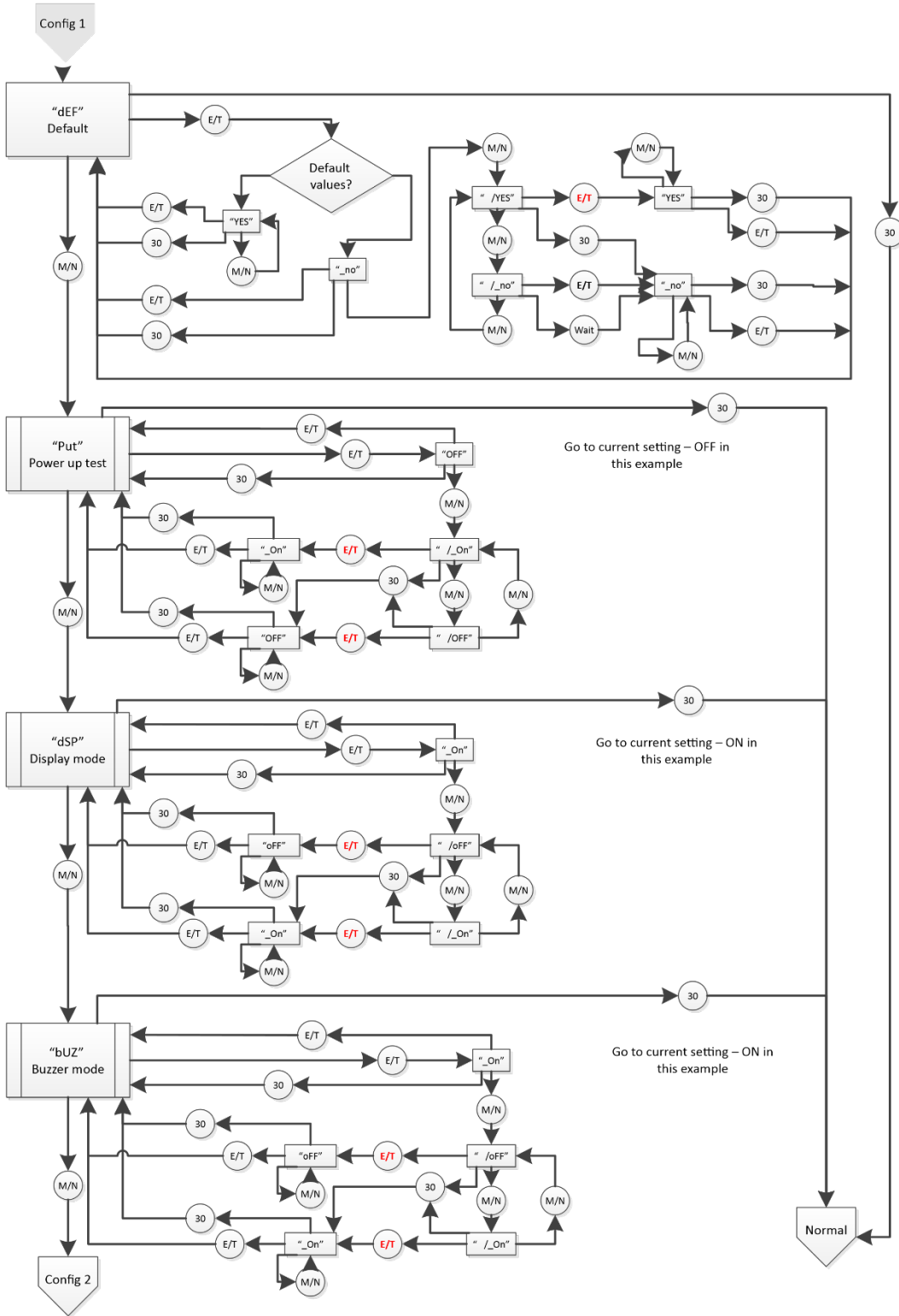
1. Sensor settings are in the sensor settings spreadsheet. Any settings here are examples only.
2. RED indicates where changes are made to the configuration.
3. Quotation marks are what is shown on the display. When there are two strings within quotation marks separated by a slash (e.g. “ /_On”) this indicates display alternating between the strings.

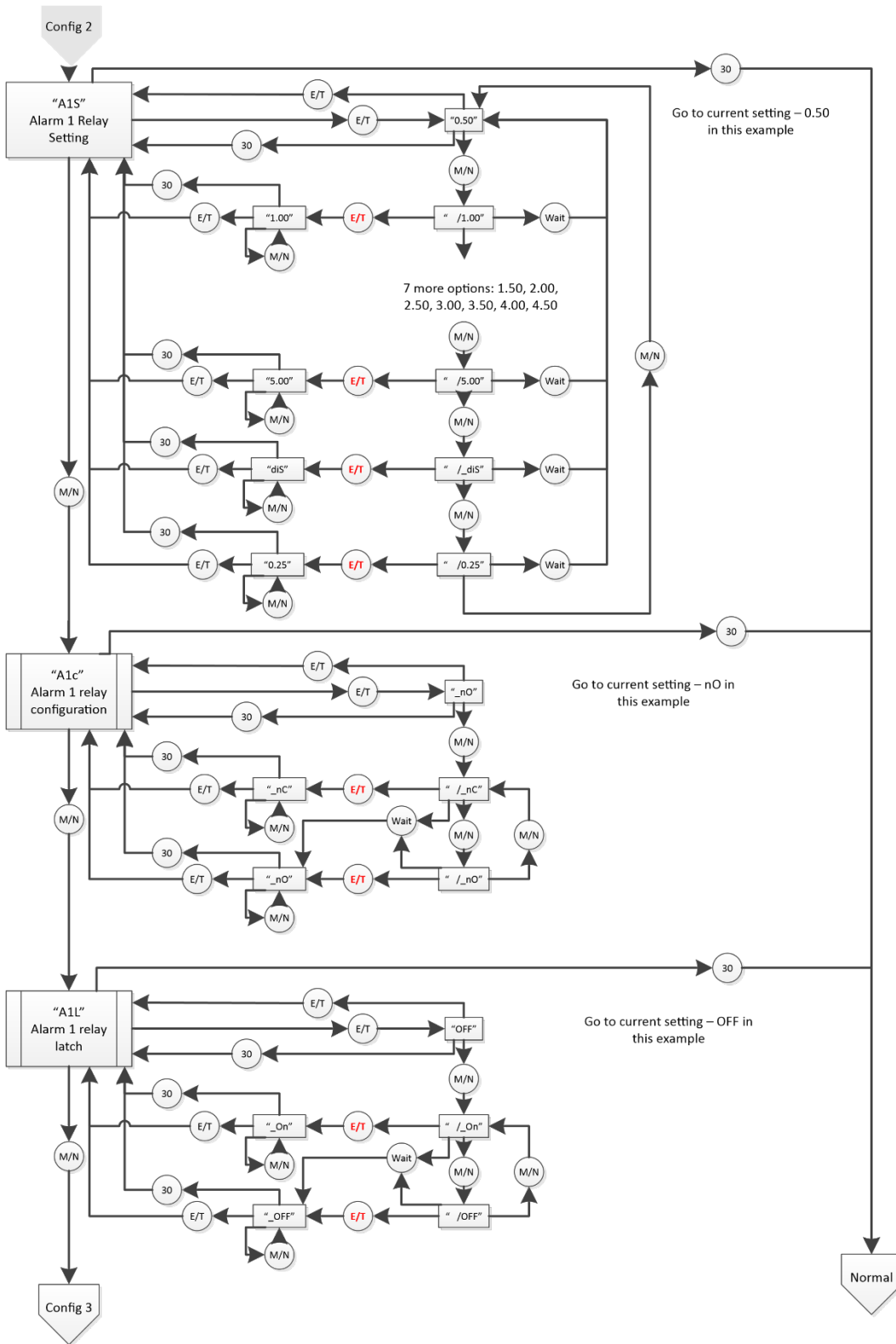
-  Menu/Next Button
-  Enter/Test Button
-  Wait for 30 seconds
-  Wait for xx seconds

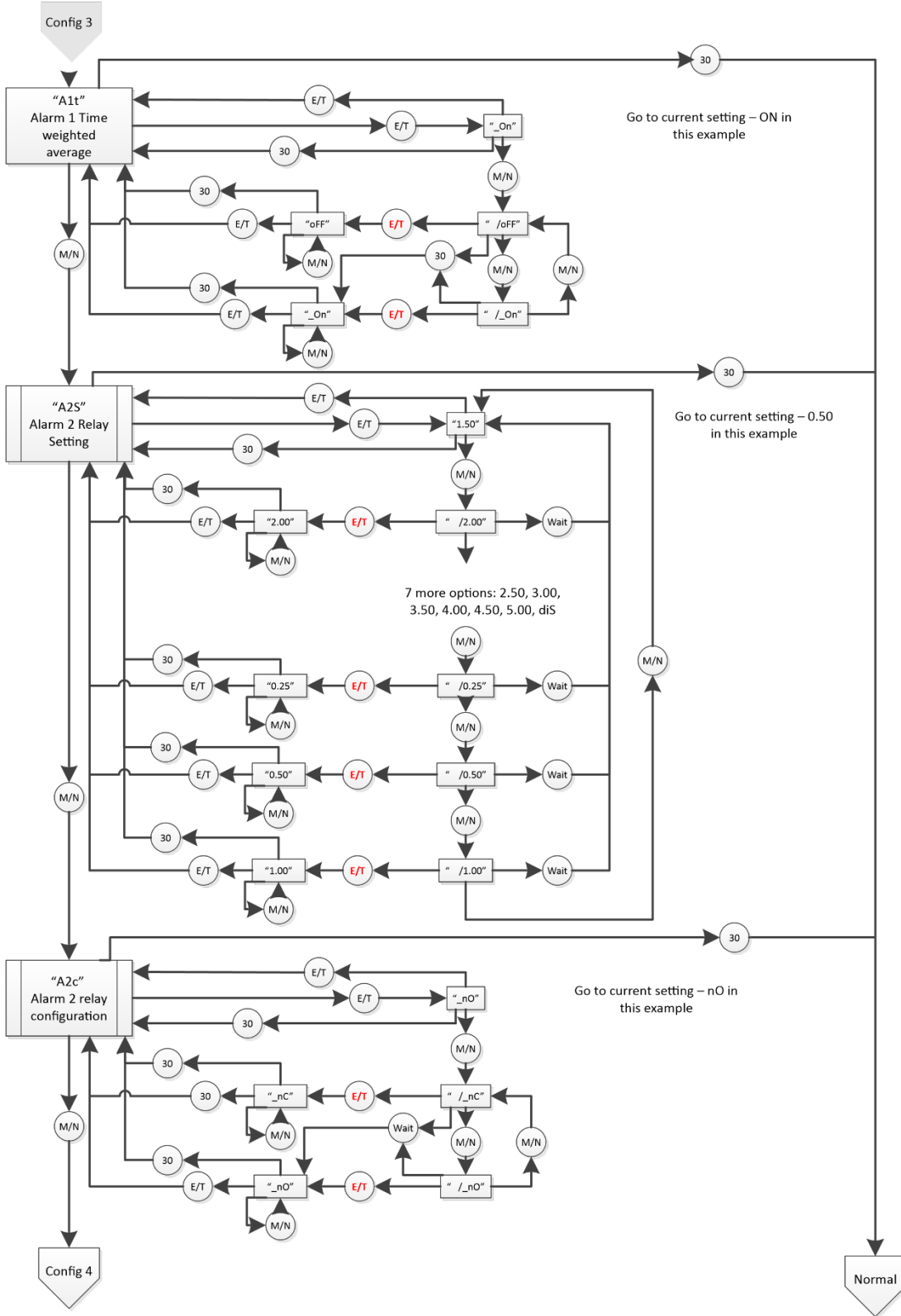
9.2 Auto Test "bUZ" Menu

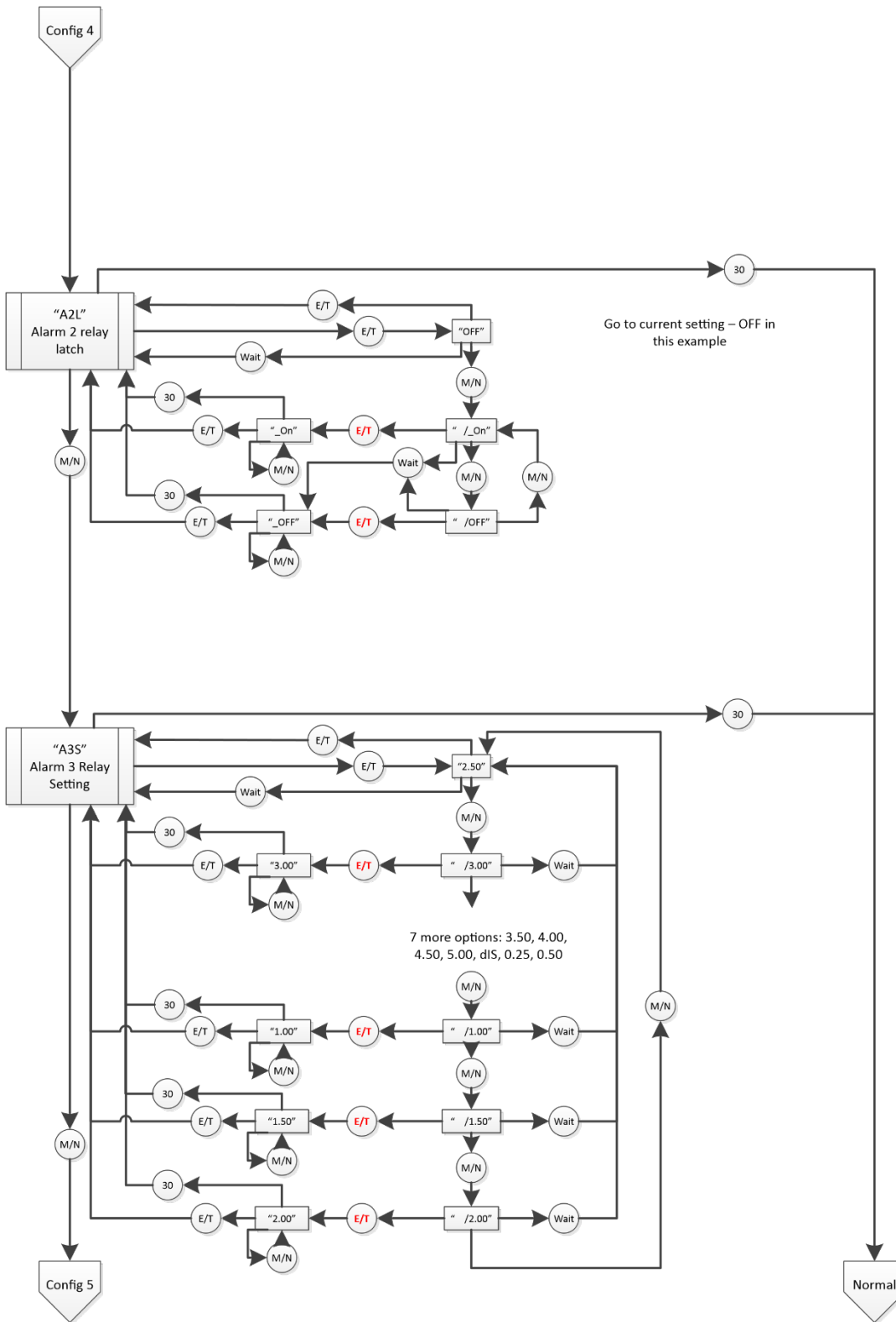


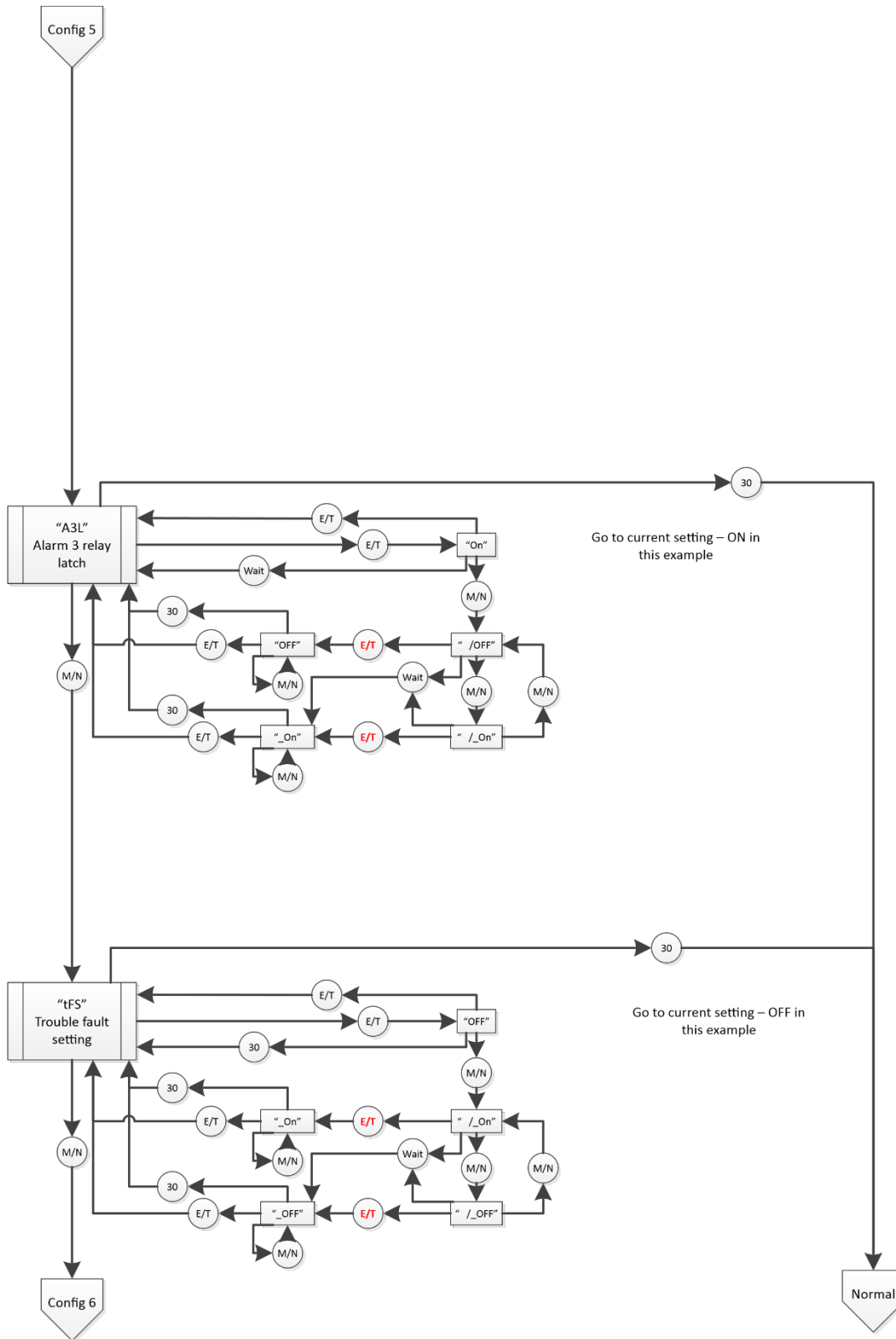
9.3 Configuration "CON" Menu

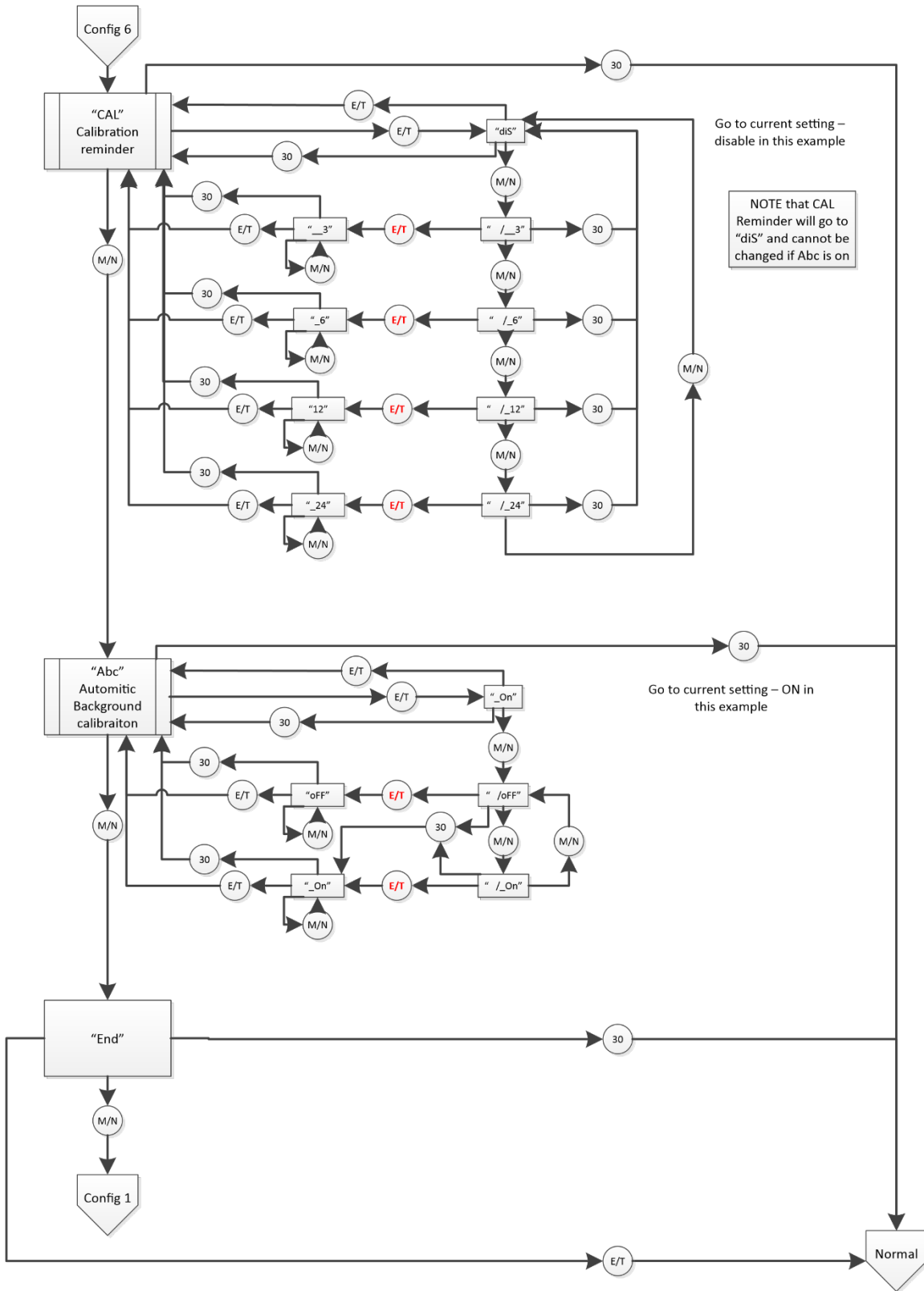




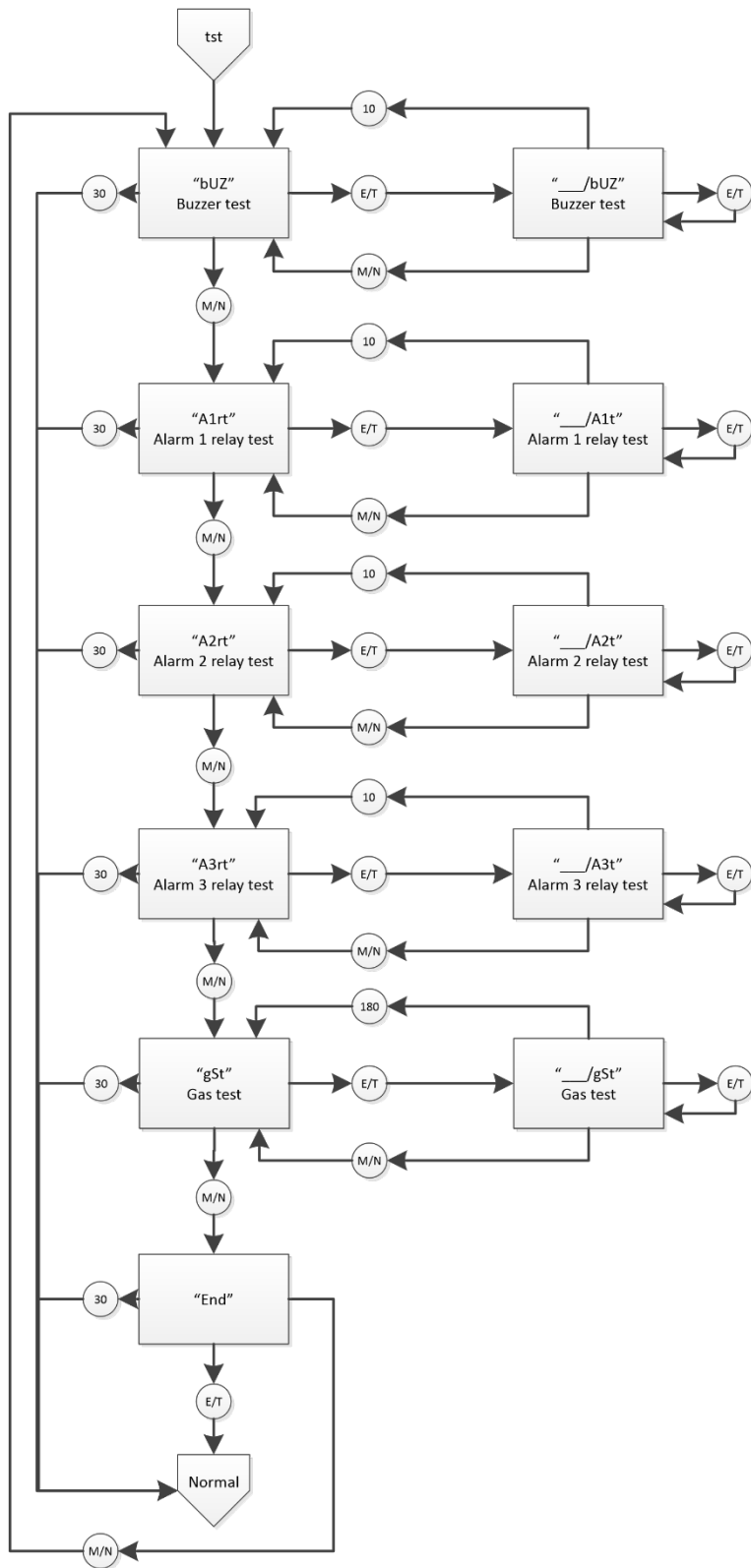




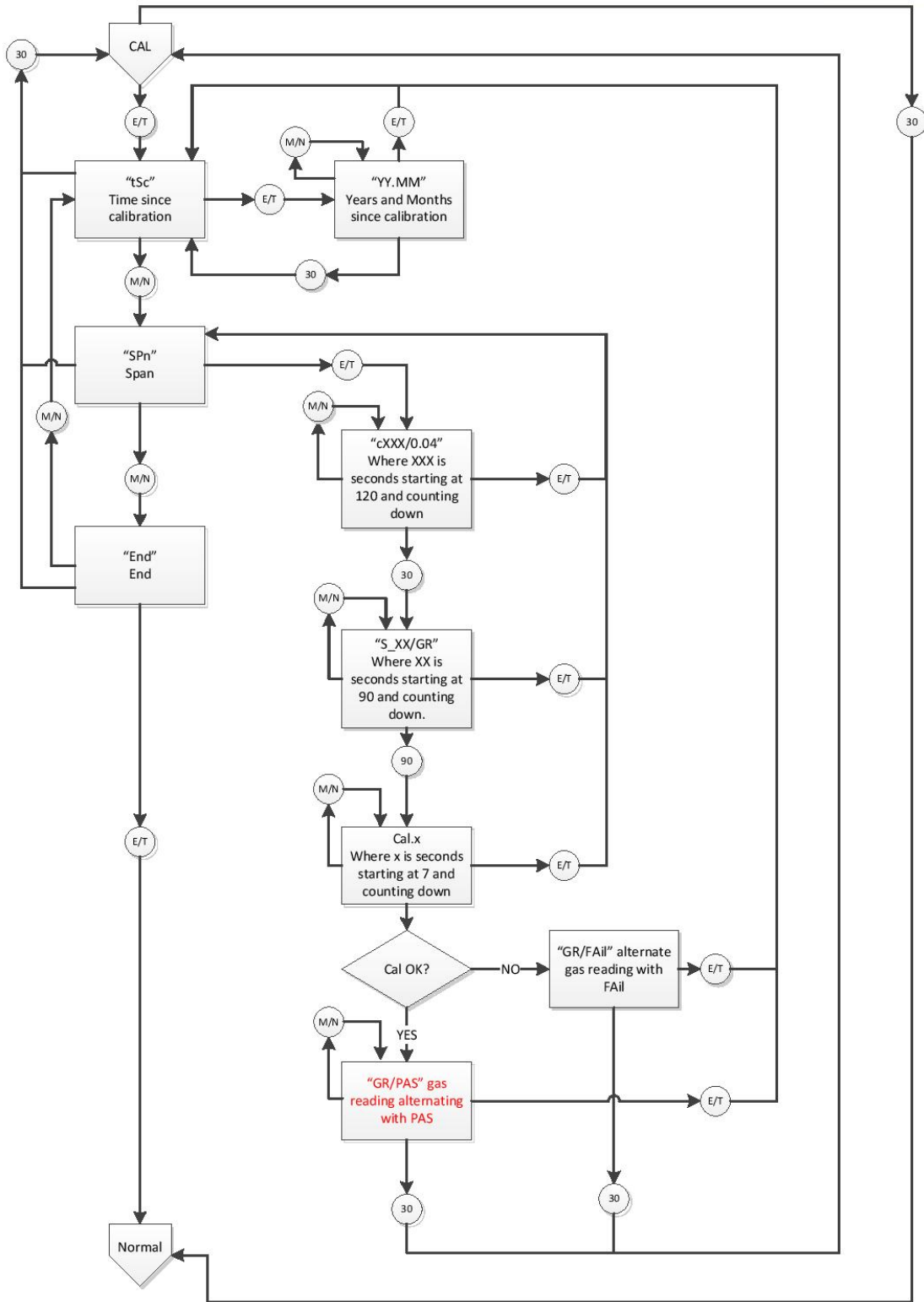




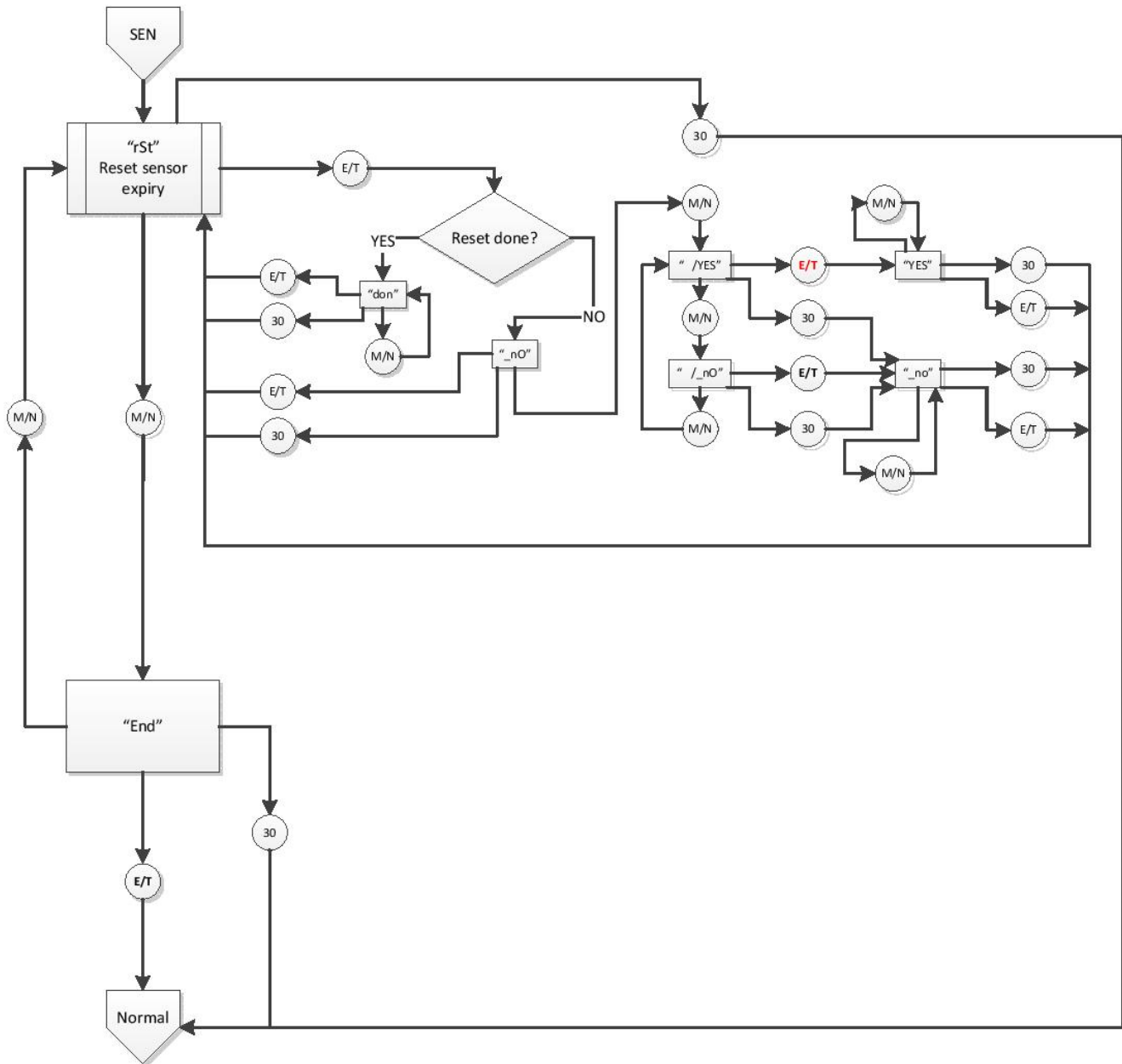
9.4 Select Test "tst" Menu



9.5 Calibration "CAL" Menu



9.6 Sensor Reset "SEN" Menu



10 Macurco Gas Detection Product limited warranty

Macurco warrants the CD-6B gas detector will be free from defective materials and workmanship for a period of two (2) years from the date of manufacture (indicated on inside cover of the CD-6B), provided it is maintained and used in accordance with Macurco instructions and/or recommendations. If any component becomes defective during the warranty period, it will be replaced or repaired free of charge, if the unit is returned in accordance with the instructions below. This warranty does not apply to units that have been altered or had repair attempted, or that have been subjected to abuse, accidental or otherwise. The above warranty is in lieu of all other express warranties, obligations or liabilities. THE IMPLIED WARRANTIES OF MERCHANTABILITY AND FITNESS FOR PARTICULAR PURPOSE ARE LIMITED TO A PERIOD OF TWO (2) YEARS FROM THE PURCHASE DATE. Macurco shall not be liable for any incidental or consequential damages for breach of this or any other warranty, express or implied, arising out of or related to the use of said gas detector. The manufacturer or its agent's liability shall be limited to replacement or repair as set forth above. Buyer's sole and exclusive remedies are the return of the goods and repayment of the price, or repair and replacement of non-conforming goods or parts.

Macurco Gas Detection

3601 N. St. Paul Avenue
Sioux Falls, SD 57104

Technical Support Contact Information

Phone: 1-844-325-3050

Fax: 1-605-951-9616

Email: support@macurco.com

Website: www.support.macurco.com

General Contact Information

Phone : 1-877-367-7891

Fax : 1-605-951-9616

Email : info@macurco.com

Website: www.macurco.com

Rev – 1.0

Issue Date: 6-25-2019

Document No: 34-2900-0510-2

© Aerionics 2019. All rights reserved.

Macurco is a trademark of Aerionics, Inc.





Macurco™ CD-6B

Detector, controlador y transductor de dióxido de carbono
Instrucciones del usuario



IMPORTANTE: Conserve este manual de instrucciones, le servirá para consultas futuras.

1	Información general de seguridad	4
1.1	Lista de advertencias	4
2	Instrucciones de uso y limitaciones.....	5
2.1	Uso de los detectores de CO ₂ de Macurco.....	5
2.2	Usos NO PERMITIDOS de los detectores de CO ₂ de Macurco.....	6
2.3	Características	6
2.4	Especificaciones.....	6
3	Instrucciones de instalación y operación	7
3.1	Ubicación	7
3.2	Instalación	8
3.3	Cableado.....	12
3.3.1	Conexión de la alimentación	12
3.3.2	Conexión del relé de alarma 1.....	12
3.3.3	Conexión del relé de alarma 2.....	12
3.3.4	Conexión del relé de alarma 3.....	12
3.3.5	Instalación del cableado	12
4	Operaciones.....	13
4.1	Encendido	13
4.2	Alarma de advertencia	13
4.3	Relé de alarma 1.....	13
4.4	Relé de alarma 2.....	14
4.5	Relé de alarma 3.....	14
4.6	Comportamiento de la alarma	14
4.6.1	Prioridad de la alarma	14
4.6.2	Visualización activada (On).....	14
4.6.3	Visualización desactivada (Off).....	15
4.7	Enclavamiento de los relés.....	16
4.8	Ajustes predefinidos en fábrica.....	16
4.8.1	Selección de la Configuración predefinida – Opción “dEF”	17
4.8.2	Selección del ajuste Prueba en el encendido – Opción “PUt”	17
4.8.3	Selección de la Configuración de la visualización – Opción “dSP”	18
4.8.4	Selección de la Configuración del zumbador – Opción “bUZ”	18
4.8.5	Selección del Ajuste del relé de alarma 1 – Opción “A1S”	18
4.8.6	Selección de la Configuración del relé de alarma 1 – Opción “A1c”	19
4.8.7	Selección del Enclavamiento del relé de alarma 1 – Opción “A1L”	19
4.8.8	Selección del Promedio ponderado en el tiempo (tWa) de la alarma 1 – Opción “A1t”	19
4.8.9	Selección del Ajuste del relé de alarma 2 – Opción “A2S”	20
4.8.10	Selección de la Configuración del relé de alarma 2 – Opción “A2c”	20
4.8.11	Selección del Enclavamiento del relé de alarma 2 – Opción “A2L”	20
4.8.12	Selección del Ajuste del relé de alarma 3 – Opción “A3S”	21
4.8.13	Selección del Enclavamiento del relé de alarma 3 – Opción “A3L”	21
4.8.14	Selección del ajuste Ventilador ante condición de falla – Opción “tFS”	21
4.8.15	Selección de la Calibración automática en segundo plano – Opción “Abc”	22
4.8.16	Selección del Período de calibración – Opción “CAL”	22


- 5 Localización y solución de problemas 23
 - 5.1 Autodiagnóstico..... 23
 - 5.1.1 Condición de falla 23
 - 5.1.2 Códigos de error “t” 23
 - 5.2 Envenenamiento del sensor 24
 - 5.3 Señal de fin de vida útil 24
- 6 Mantenimiento..... 25
 - 6.1 Calibración 25
 - 6.2 Restablecimiento de la vida del sensor 25
 - 6.3 Limpieza..... 25
- 7 Pruebas 26
 - 7.1 Pruebas..... 26
 - 7.1.1 Prueba de operación 26
 - 7.1.2 Prueba de operación manual 27
 - 7.2 Kit de calibración 27
 - 7.3 Pruebas con gas..... 29
 - 7.3.1 Prueba de los relés de alarma 29
 - 7.3.2 Prueba con aerosol..... 30
 - 7.4 Procedimiento de calibración in situ 30
 - 7.4.1 Procedimiento de calibración in situ 30
 - 7.4.2 Tiempo transcurrido desde la última calibración 31
- 8 Anexo A – Tabla de ilustraciones..... 32
- 9 Anexo B – Estructura del menú 33
 - 9.1 Menú principal..... 33
 - 9.2 Menú de prueba automática “bUZ” 34
 - 9.3 Menú de configuración “CON” 35
 - 9.4 Selección del menú de prueba “tst” 41
 - 9.5 Menú de calibración “CAL” 42
 - 9.6 Menú de restablecimiento del sensor “SEN” 43
- 10 Garantía limitada de los productos para detección de gas Macurco..... 44
 - Información de contacto con el Servicio de Asistencia Técnica..... 44
 - Información de contacto general..... 44



1 Información general de seguridad

Las siguientes instrucciones están destinadas a servir como guía general para el uso del detector de dióxido de carbono Macurco modelo CD-6B. Este manual no debe ser considerado como un documento que comprende de manera exhaustiva toda la información relativa al dispositivo, ni está destinada a reemplazar la política y los procedimientos ya definidos para las instalaciones del usuario. Si tiene alguna duda acerca de si el equipo puede ser utilizado en su aplicación específica, consulte a un higienista industrial o llame a nuestro Servicio de Asistencia Técnica al 1-844-325-3050 (en EE.UU.).

1.1 Lista de advertencias

 ADVERTENCIA
Todas las personas que utilicen este equipo deben leer y comprender la información contenida en este manual de instrucciones antes de su uso. El uso de este equipo por personas sin la capacitación o las competencias apropiadas, o los usos que no cumplan con las indicaciones de este manual de instrucciones, pueden afectar negativamente el rendimiento del producto.
Este equipo debe ser utilizado únicamente para monitorear el gas para cuya detección han sido diseñados el sensor y el monitor. En caso contrario, se pueden producir exposiciones a gases no detectables que pueden provocar lesiones graves o mortales. Para usar correctamente la unidad, consulte el manual del supervisor o de utilización, o llame a nuestro Servicio de Asistencia Técnica al 1-844-325-3050 (en EE.UU.).
Este equipo puede no funcionar eficazmente con temperaturas inferiores a 0 °C o superiores a 50 °C. El uso del detector fuera de este rango de temperatura puede afectar negativamente el rendimiento del producto.
Este detector ayuda a monitorear la presencia y el nivel de concentración de un gas determinado en el aire. El uso indebido de este equipo puede producir una lectura inexacta, lo que significa que podrían existir niveles más altos del gas que se está monitoreando los que, a su vez, podrían ocasionar una sobreexposición al gas y provocar lesiones graves o mortales. Para usar correctamente la unidad, consulte el manual del supervisor o de utilización, o llame a nuestro Servicio de Asistencia Técnica al 1-844-325-3050 (en EE.UU.).
No desmonte la unidad ni intente reparar o modificar ninguno de sus componentes. Este instrumento no contiene piezas que puedan ser reparadas por el usuario, y la sustitución de componentes podría perjudicar el rendimiento del producto.
El uso de un gas certificado para realizar una prueba de verificación de calibración (prueba de respuesta) o de calibración cuya concentración es diferente a la indicada para este detector, producirá lecturas inexactas. Esto significa que pueden existir niveles más altos del gas que se está monitoreando y esto podría causar una sobreexposición. Para usar correctamente la unidad, consulte el manual del supervisor o de utilización, o llame a nuestro Servicio de Asistencia Técnica al 1-844-325-3050 (en EE.UU.).
Para realizar una prueba de verificación de calibración (prueba de respuesta) o una calibración con el objetivo de garantizar el desempeño correcto del monitor, se deben llevar a cabo los pasos siguientes. En caso contrario, el rendimiento del producto podría resultar afectado negativamente. <ul style="list-style-type: none">• Cuando realice una prueba de verificación de calibración (prueba de respuesta) y una calibración, utilice únicamente un gas de calibración certificado con el nivel de concentración requerido.• No realice pruebas con un gas de calibración vencido.• No cubra ni obstruya la pantalla ni la tapa de la alarma visual.• Asegúrese de que las entradas del sensor no estén obstruidas y manténgalas limpias. El incumplimiento de las instrucciones descritas en este manual de utilización puede provocar enfermedades o la muerte.

2 Instrucciones de uso y limitaciones

El equipo Macurco CD-6B es un detector, controlador y transductor de dióxido de carbono (CO₂), equipado con tres relés y disponible para alimentación con bajo voltaje.

El CD-6B tiene tres relés de alarma seleccionables, zumbador y una pantalla digital que presenta diferentes opciones.

El CD-6B es un medidor de bajo nivel capaz de mostrar una concentración del 0 al 5,0% con una resolución de pantalla de 0,01% (la medición está expresada en **% en volumen**) de CO₂.

Los instrumentos CD-6B se entregan calibrados de fábrica y probados al 100% para asegurar que funcionan correctamente.

Además, este instrumento utiliza un programa de calibración automática en segundo plano (Abc) que establece, periódicamente, el nivel de aire limpio.

Si el usuario no utiliza la calibración automática en segundo plano, el CD-6B requiere un proceso de calibración manual como mínimo una vez al año mediante el uso del kit de calibración Macurco CD6B-FCK.

El dióxido de carbono (CO₂) es un gas incoloro e inodoro que producen y exhalan las personas. También es producido por la combustión de gasolina, carbón, petróleo y madera. La concentración de dióxido de carbono en el aire libre puede variar entre 350 y 450 partes por millón (ppm), e incluso más en zonas con alto tráfico vehicular o actividad industrial. El nivel de CO₂ en interiores depende de la cantidad de personas presentes, cuánto tiempo ha estado ocupado el lugar, la cantidad de aire fresco del exterior que entra en la zona y otros factores. Las concentraciones de CO₂ en interiores pueden alcanzar a varios cientos de partes por millón en lugares con muchas personas presentes durante un tiempo prolongado y donde la ventilación con aire fresco está limitada. La inyección de aire "fresco" del exterior a través del sistema de ventilación es importante pues puede diluir los niveles de CO₂ del ambiente interior. La cantidad de aire fresco que debe ser suministrada a una sala depende del tipo de instalación y de la propia sala. La ventilación debe mantener las concentraciones de dióxido de carbono por debajo de las 1000 ppm y crear condiciones de calidad del aire interior que sean aceptables para la mayoría de las personas.

ADVERTENCIA

Todas las personas que utilicen este equipo deben leer y comprender la información contenida en este manual de utilización antes de su uso. El uso de este equipo por personas sin la capacitación o las competencias apropiadas, o los usos que no cumplan con las indicaciones de este manual de utilización, pueden afectar negativamente el rendimiento del producto.

2.1 Uso de los detectores de CO₂ de Macurco

Este instrumento se emplea para detectar la presencia de CO₂ y controlar el sistema automático de ventilación del edificio en lugares no peligrosos (sin riesgo de explosión) donde se almacenan 45 kg o más de CO₂, como bares, restaurantes, cervecerías, etc.

La alarma de advertencia y el relé de alarma 1 tienen por objetivo advertir de manera local a los usuarios de la presencia de un nivel elevado de CO₂. El relé de alarma 2 y el relé de alarma 3 están destinados a activar las funciones de alarma remota para advertir a los usuarios del edificio de la presencia de una concentración de CO₂

elevada. El CD-6B no es compatible con los paneles de control DVP de Macurco. Los tres (3) relés de contacto seco pueden conectarse a un panel de seguridad o de alarma contra incendios.

ADVERTENCIA

Este equipo debe ser utilizado únicamente para monitorear el gas para cuya detección han sido diseñados el sensor y el monitor. En caso contrario, se pueden producir exposiciones a gases no detectables que pueden provocar lesiones graves o mortales. Para usar correctamente la unidad, consulte el manual del supervisor o del usuario, o llame a nuestro Servicio de Asistencia Técnica al 1-844-325-3050 (en EE.UU.).

2.2 Usos NO PERMITIDOS de los detectores de CO₂ de Macurco

El detector CD-6B no está diseñado para ser utilizado en lugares peligrosos (con riesgo de explosión) o aplicaciones industriales como refinerías, plantas químicas, etc. No monte el CD-6B en lugares donde la temperatura ambiente normal sea inferior a 0 °C o superior a 50 °C. El CD-6B se monta en una caja eléctrica cuadrada de 100 x 100 mm suministrada por el contratista. No instale el CD-6B dentro de otra caja a menos que tenga un buen flujo de aire a través de ella.

ADVERTENCIA

Este equipo puede no funcionar eficazmente con temperaturas inferiores a 0 °C o superiores a 50 °C. El uso del detector fuera de este rango de temperatura puede afectar negativamente el rendimiento del producto.

2.3 Características

- Homologación ETL de acuerdo con UL 61010-1, certificación de acuerdo con CSA C22.2#61010-1.
- Medidor de bajo nivel capaz de mostrar una concentración de CO₂ del 0 al 5,0% en volumen con una resolución de pantalla de 0,01% en volumen.
- Tres relés de contacto seco para control de sistemas de ventilación o comunicación con sistema de alarma.
- Montaje en una caja eléctrica cuadrada estándar de 100 x 100 mm (el detector cubre la caja y no necesita de una tapa).
- Sistema supervisado: cualquier problema interno del detector activará el zumbador.
- El sensor de dióxido de carbono tiene una vida útil estimada en 15 años y cuenta con un indicador de fin de vida útil después de 180 meses de encendido del sensor.
- Programa de calibración automática en segundo plano (opcional) que establece, periódicamente, el nivel de aire limpio.
- Calibración manual si la calibración automática en segundo plano está desactivada
- Un tornillo de acceso para pruebas y calibración. Kit de calibración y de prueba de verificación de calibración disponible.

2.4 Especificaciones

- Peso con embalaje: 0,45 kg
- Dimensiones: 11,4 x 11,4 x 5,3 cm
- Color: blanco o gris oscuro
- Conexiones: conectores enchufables

- Caja de montaje: 100 x 100 mm, uso eléctrico (no incluida)
- Relé de alarma 1: relé unipolar, apto para una carga de 2 A, hasta 240 Vca o 30 Vcc
- Actuación del relé de alarma: seleccionable entre “NO” (predefinido) y “NC”
- Ajustes del nivel de activación del relé de alarma 1: “diS”, 0.25, 0.50 (predefinido), 1.00, 1.50, 2.00, 2.50, 3.00, 3.50, 4.00, 4.50 y 5.00
- Enclavamiento del relé de alarma 1: desactivado (“Off” predefinido) y activado (On)
- Promedio ponderado en 8 horas del relé de alarma 1: activado (“On” predefinido) y desactivado (Off)
- Relé de alarma 1 ante condición de falla: activado (“On” predefinido) y desactivado (Off)
- Relé de alarma 2: relé unipolar, apto para una carga de 2 A, hasta 240 Vca o 30 Vcc
- Actuación del relé de alarma 2: seleccionable entre “NO” (predefinido) y “NC”
- Ajustes del nivel de activación del relé de alarma 2: “diS”, 0.25, 0.50, 1.00, 1.50 (predefinido), 2.00, 2.50, 3.00, 3.50, 4.00, 4.50 y 5.00
- Enclavamiento del relé de alarma 2: desactivado (“Off” predefinido) y activado (On)
- Relé de alarma 3: relé unipolar dos vías (conmutador) apto para una carga de 2 A, hasta 240 Vca o 30 Vcc
- El relé de alarma 3 puede cablearse como normalmente abierto (NO) o normalmente cerrado (NC)
- Ajustes del nivel de activación del relé de alarma 3: “diS”, 0.25, 0.50, 1.00, 1.50, 2.00, 2.50, 3.00 (predefinido), 3.50, 4.00, 4.50 y 5.00
- Enclavamiento del relé de alarma 3: activado (“On” predefinido) y desactivado (Off)
- Zumbador: 85 dBA a 10 cm, seleccionable entre desactivado (“Off”) y activado (“On”, predefinido)
- Pantalla digital: LED de 4 dígitos, seleccionable entre desactivado (“Off”) y activado (“On”, predefinido)
- Entorno operativo: rango de temperatura 0 °C a 50 °C, rango de humedad 0 a 85% RH sin condensación, rango de presión 1 ATM ± 20%
- Entorno de almacenamiento: rango de temperatura -18 °C a 52 °C, rango de humedad 0 a 99% RH sin condensación
- Alimentación: 3 W (máx.), 12 a 24 Vca o 12 a 32 Vcc
- Corriente (máx.) con 24 Vcc: 50 mA en alarma (tres relés), 40 mA en alarma (dos relés), 30 mA (1 solo relé) y 25 mA (en espera)

3 Instrucciones de instalación y operación


ADVERTENCIA

Este detector ayuda a monitorear la presencia y el nivel de concentración de un gas determinado en el aire. El uso indebido de este equipo puede producir una lectura inexacta, lo que significa que podrían existir niveles más altos del gas que se está monitoreando los que, a su vez, podrían ocasionar una sobreexposición al gas y provocar lesiones graves o mortales. Para usar correctamente la unidad, consulte el manual del supervisor o de utilización, o llame a nuestro Servicio de Asistencia Técnica al 1-844-325-3050 (en EE.UU.).

3.1 Ubicación

La altura de montaje dependerá de la aplicación. Para aplicaciones con tanques de CO₂, la altura de montaje debe ser de aproximadamente 30 cm sobre el piso. Si se desea controlar la calidad del aire interior, monte el detector a

nivel de la respiración, aproximadamente 1,5 metros por sobre el piso, en una pared o columna en una zona central donde el movimiento del aire sea normalmente bueno. La unidad cubre, en promedio, unos 465 m². Esta cobertura depende del movimiento del aire dentro de la sala o instalación. Es probable que se necesiten detectores adicionales para cubrir zonas en las que haya personas trabajando o en las que el aire esté estancado. El CD-6B se monta en una caja eléctrica cuadrada de 100 x 100 mm suministrada por el contratista. No instale el CD-6B dentro de otra caja a menos que tenga un buen flujo de aire a través de ella. NO monte el CD-6B donde la temperatura ambiente normal sea inferior a 0 °C o superior a 50 °C.

	<h2>ADVERTENCIA</h2>
<p>Este detector contiene conexiones de alto voltaje (120/240 Vca) que implican un riesgo para los técnicos de servicio. La caja del detector debe ser abierta únicamente por técnicos cualificados, que cuenten con la capacitación necesaria para trabajar en sus circuitos internos. Antes de realizar tareas de mantenimiento en los relés del detector verifique que la alimentación eléctrica de la unidad esté interrumpida. En caso contrario, podría recibir una descarga eléctrica.</p>	

3.2 Instalación

1. El CD-6B se monta en una caja eléctrica cuadrada de 100 x 100 mm suministrada por el contratista. No monte el CD-6B dentro de otra caja a menos que tenga un buen flujo de aire a través de él.
2. Conecte el CD-6B únicamente a un suministro eléctrico de clase 2. Se sugiere alimentar la unidad, o unidades, a través de un transformador de uso exclusivo para evitar las posibles interferencias de otros dispositivos en la misma línea de alimentación.
3. Conecte el CD-6B a los cables de control mediante los conectores enchufables. Verifique que la alimentación esté desconectada antes de realizar las conexiones.
4. La unidad posee dos bornes de conexión (POWER) para la alimentación: 12 a 24 Vca o 12 a 32 Vcc no polarizados.
5. Hay dos bornes libres de potencial (contacto seco) para el relé de alarma. Los relés de alarma pueden conmutar hasta 2,0 A con 240 V, o 30 Vcc. Los relés de alarma se activan si el gas alcanza o supera los ajustes de la alarma. Consulte los ajustes de los relés detallados en la sección [4.5 Ajustes predefinidos en fábrica](#) de estas Instrucciones de utilización.
6. Los relés de alarma 1 y 2 pueden **configurarse** como normalmente abierto (NO, predefinido) o normalmente cerrado (NC). El relé de alarma 3 puede **cablearse** como normalmente abierto (NO) o normalmente cerrado (NC)
7. Los relés se activarán si la concentración de gas supera el punto de ajuste de la alarma. Tenga en cuenta que si ha seleccionado la opción "diS", el relé de alarma nunca se activará.
8. Los relés de alarma se pueden configurar para trabajar con enclavamiento o sin enclavamiento. Cuando el enclavamiento se configura para trabajar, "On" (predefinido), y la concentración del gas supera el valor seleccionado para el punto de ajuste, será necesario interrumpir la alimentación o presionar el botón "TEST" para desenclavar (desactivar) el relé. Cuando el enclavamiento está desactivado, condición "OFF", el relé se desactiva cuando la concentración de gas cae por debajo del punto de ajuste de la alarma.
9. El relé de alarma 1 también puede activarse ante una falla, si la opción "Ventilador ante condición de falla" está activada (On), y se desactivará una vez que la condición de falla haya desaparecido.

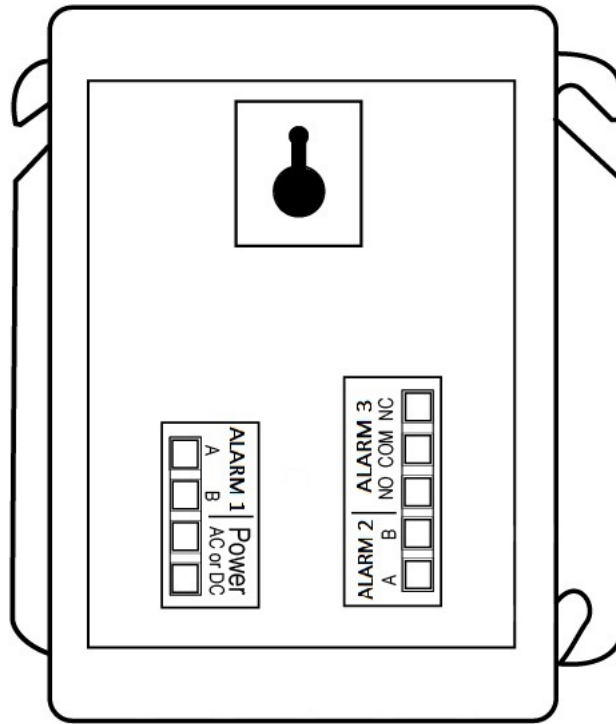


Figura 3-2 Vista posterior de un detector CD-6B

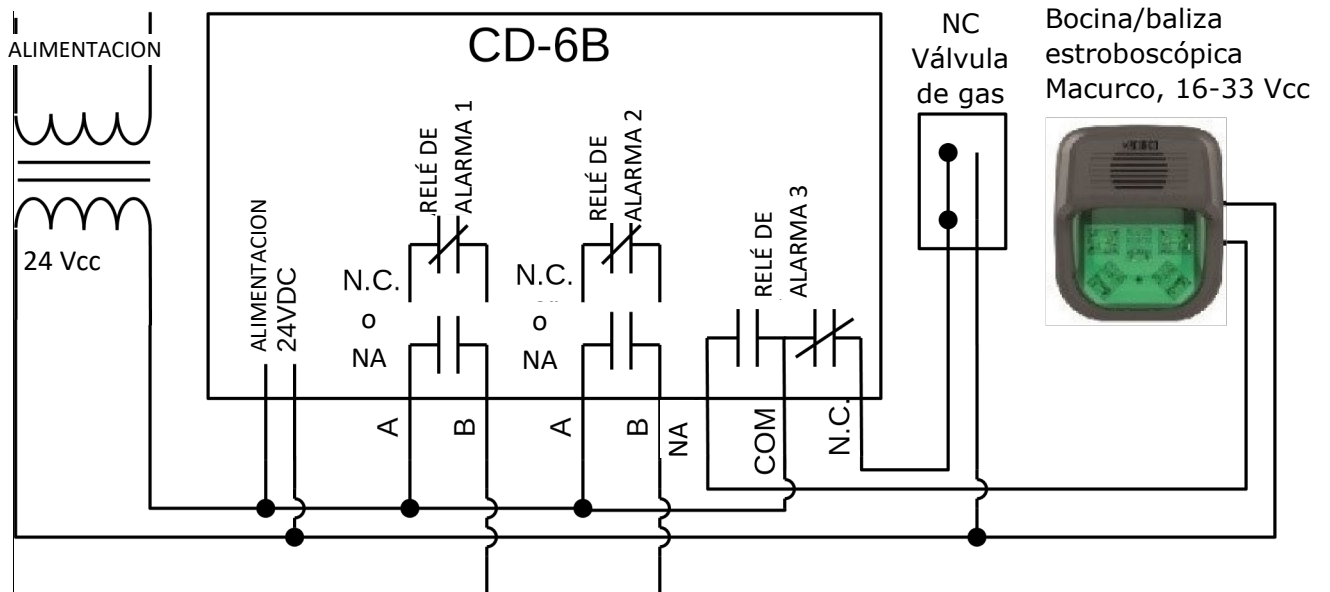


Figura 3-3 Diagrama de cableado típico de un detector CD-6B

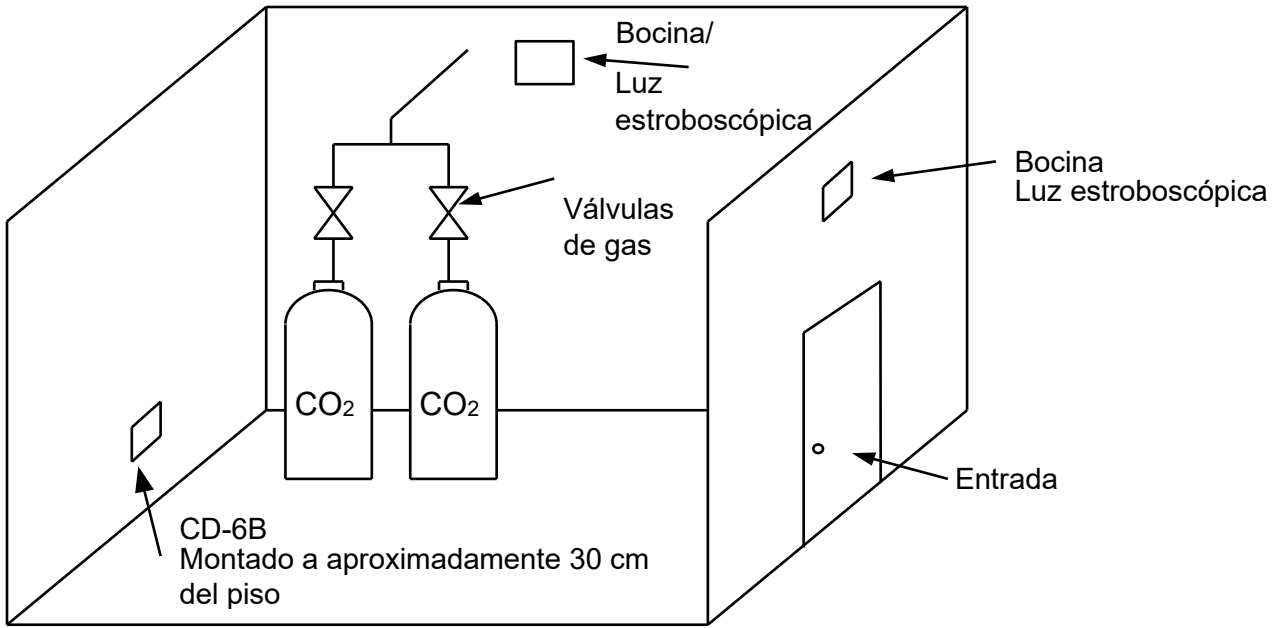


Figura 3-4 Disposición típica de la instalación de un CD-6B

NOTA: el detector debe montarse lo más cerca posible del punto donde las posibilidades de fuga sean mayores. Si los tanques están en el interior, el detector normalmente se instala como se muestra en la figura anterior. Si los tanques están en el exterior, el detector debe montarse en los puntos de conexión de la tubería.

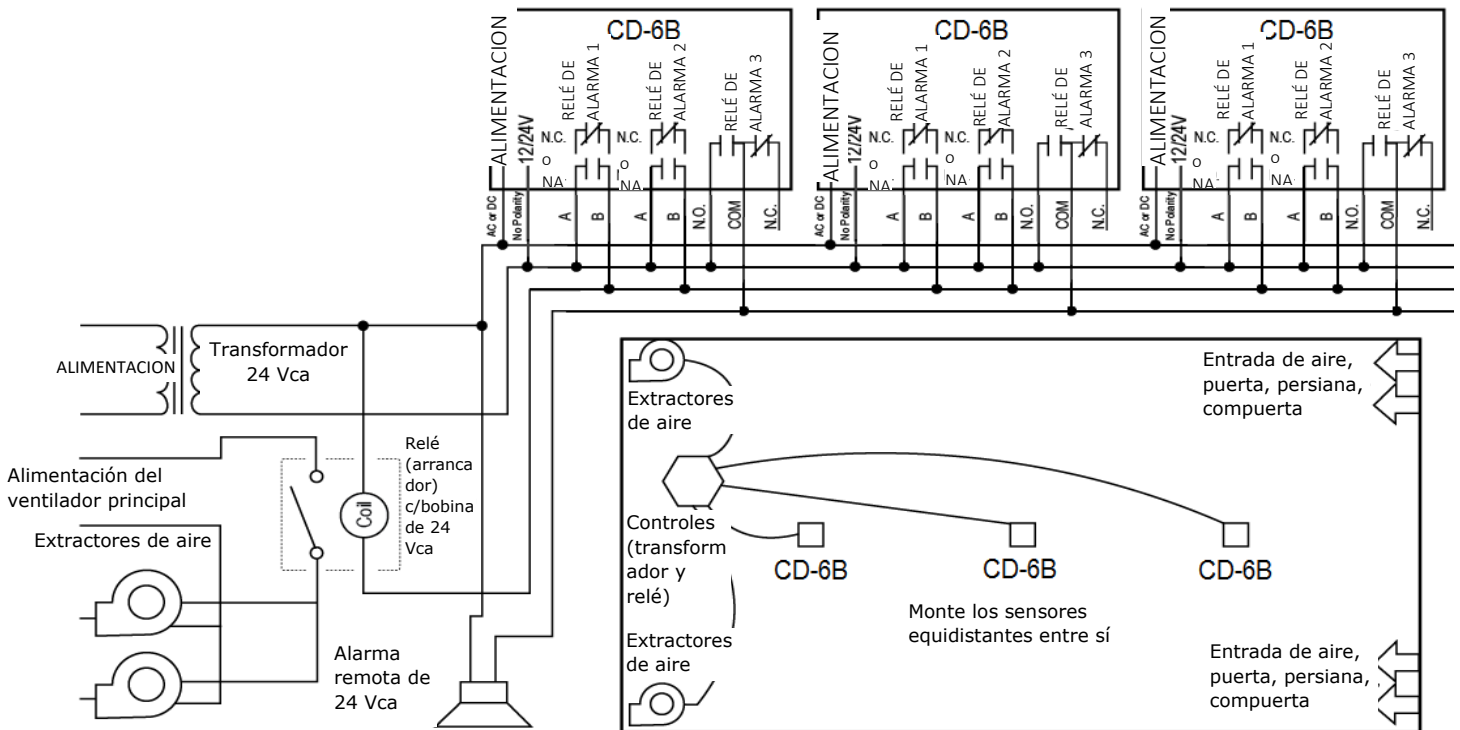


Figura 3-5 Diagrama de cableado de varios detectores CD-6B

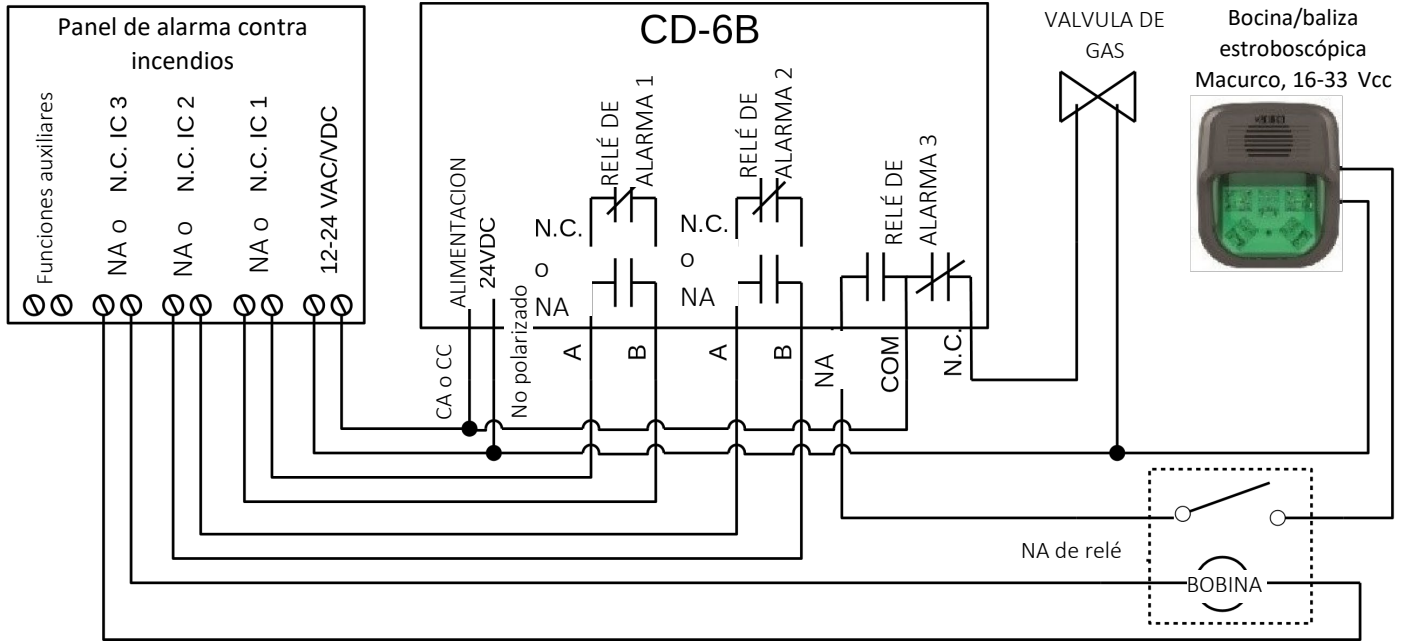


Figura 3-6 Diagrama de cableado del panel de control de alarma con un detector CD-6B

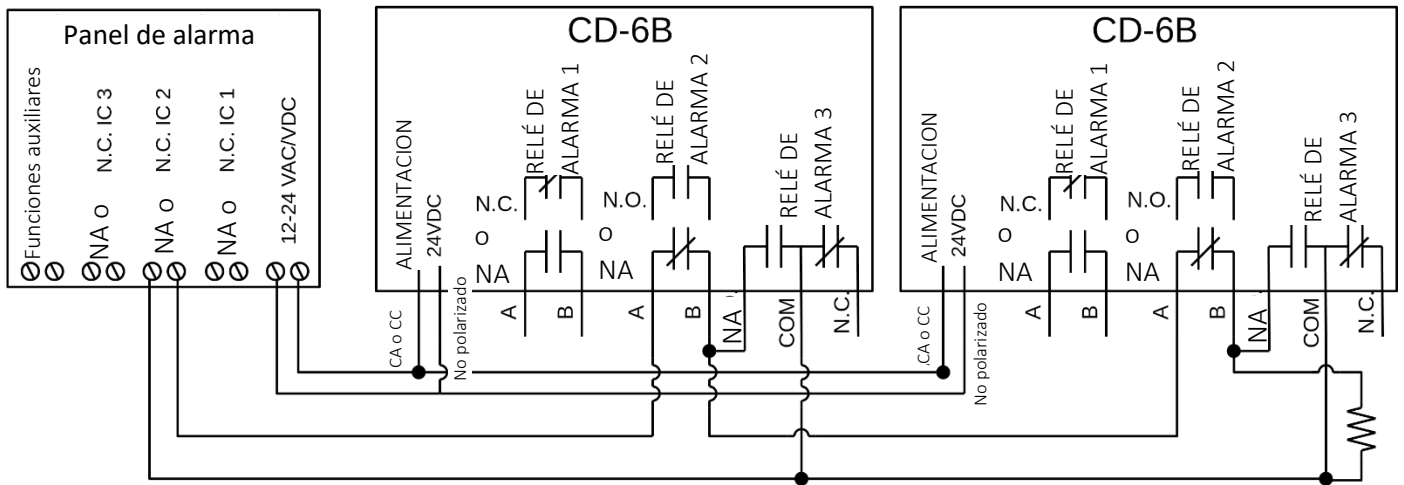


Figura 3-7 Diagrama de cableado de un panel de alarma alternativo con detectores CD-6B

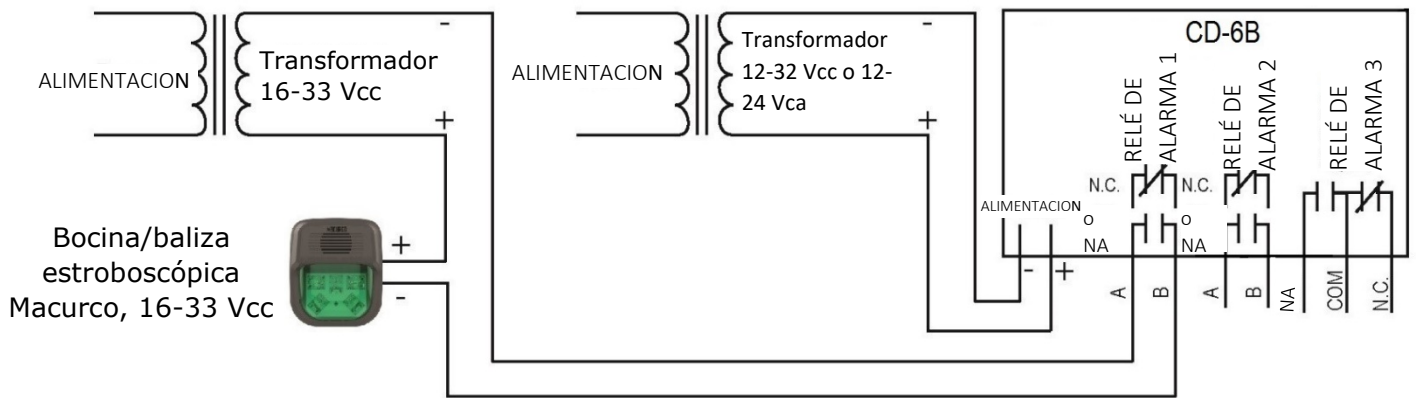


Figura 3-8 Diagrama de cableado del dispositivo combinado bocina/baliza estroboscópica con un detector CD-6B

3.3 Cableado

Con la excepción de la conexión a tierra de seguridad, todo el cableado externo se realiza a través de conectores modulares (provistos). Antes de llevar a cabo cada conexión lea las instrucciones específicas indicadas a continuación, y luego siga las indicaciones de la sección 3.3.5, Instalación del cableado.

3.3.1 Conexión de la alimentación

Conecte el CD-6B únicamente a un suministro eléctrico de clase 2. Se sugiere alimentar la unidad, o unidades, a través de un transformador de uso exclusivo para evitar las posibles interferencias de otros dispositivos en la misma línea de alimentación. La unidad posee dos bornes de conexión (Power) para la alimentación: 12 a 32 Vcc o 12 a 24 Vca (valores nominales) no polarizados.

3.3.2 Conexión del relé de alarma 1

Las conexiones para el relé de alarma 1 (A y B) se encuentran en el conector modular ALARM 1. Estas conexiones no son polarizadas. El relé de alarma 1 es unipolar, apto para una carga de hasta 2 A con 240 Vca o 30 Vcc.

3.3.3 Conexión del relé de alarma 2

Las conexiones para el relé de alarma 2 (A y B) se encuentran en el conector modular ALARM 2. Estas conexiones no son polarizadas. El relé de alarma 2 es unipolar, apto para una carga de hasta 2 A con 240 Vca o 30 Vcc.

3.3.4 Conexión del relé de alarma 3

Las conexiones para el relé de alarma 3 (NO, COM, NC) se encuentran en el conector modular ALARM 3. Estas conexiones no son polarizadas. El relé de alarma 3 es unipolar de dos vías (conmutador), apto para una carga de hasta 2 A con 240 Vca o 30 Vcc.

- a. Conecte un cable a NO y otro a COM para una conexión normalmente abierta.
- b. Conecte un cable a NC y otro a COM para una conexión normalmente cerrada.

3.3.5 Instalación del cableado

Para instalar el cableado, lea primero los detalles anteriores específicos para el componente que está conectando. Luego, proceda como se indica a continuación:

1. Verifique que la alimentación del CD-6B esté desconectada.
2. Los conectores modulares se encuentran en la parte posterior del CD-6B. Desenchufe el conector modular de la base del detector.
3. Pele el aislamiento de cada cable aproximadamente 6,5 mm, inserte el conductor en el borne y apriete los tornillos.
4. Tire del cable para asegurarse de que no puede soltarse fácilmente del conector.
5. Después de conectar los cables, inserte el conector modular en el conector de la base del detector y verifique que la traba engancha correctamente.

NOTA: se deben utilizar conductores de 0,5 a 2,5 mm². El cable utilizado debe ser compatible con el rango de temperatura del detector, es decir, 0 °C a 50 °C.

4 Operaciones

4.1 Encendido

El CD-6B ejecuta un ciclo interno de autoverificación durante el primer minuto posterior al encendido de su alimentación. La unidad ejecutará el ciclo de prueba cada vez que se desconecte y vuelva a ser conectado (por ejemplo, ante una falla de la alimentación).

El indicador LED de estado parpadeará en verde durante la prueba.

Durante los primeros 2 segundos, la pantalla mostrará alternadamente el texto “Cd6b” y la versión del firmware; a continuación, ejecutará una cuenta regresiva de 60 a 0 (si en el ajuste de la pantalla (dSP) se ha escogido la opción “On” (Activada)).

El relé de alarma 1 estará activo durante toda la secuencia de encendido (si la opción PUt está activada). Los relés de alarma 2 y 3 se activarán durante los 10 segundos posteriores al encendido (si la opción PUt está activada).

Cuando la cuenta regresiva de la pantalla llega a 0, la unidad toma su primera muestra de aire y el LED indicador cambiará a verde fijo indicando que la prueba de encendido ha finalizado.

4.2 Alarma de advertencia

La alarma de advertencia está ajustada en el 0,50 % en volumen y el usuario no la puede modificar. Cuando la lectura de la concentración de gas es igual o superior al 0,50% en volumen, la unidad emite una alarma de advertencia.

Durante una alarma de advertencia, el zumbador emitirá un pitido cada 60 segundos y la pantalla, si está encendida, mostrará la concentración de gas parpadeando.

NOTA: la alarma de advertencia tiene la prioridad de alarma más baja.

4.3 Relé de alarma 1

- Para establecer el punto de ajuste del relé de alarma 1, use la opción “A1S” en el menú Configuración. Los valores seleccionables son “diS”, 0.25, 0.50 (predefinido), 1.00, 1.50, 2.00, 2.50, 3.00, 3.50, 4.00, 4.50 y 5.00.
- El relé de alarma 1 puede activarse debido a una lectura instantánea o a un promedio ponderado en el tiempo. Esto se puede seleccionar a través del ajuste “A1t” en el menú Configuración. Para calcular el promedio ponderado en el tiempo, el aparato utiliza las lecturas tomadas durante las 8 horas anteriores. El ajuste predefinido es Activado (On).

- El relé de alarma 1 puede configurarse como normalmente abierto (NO, predefinido) o normalmente cerrado (NC). Esto se puede modificar a través del ajuste “A1c” en el menú Configuración.
- Para habilitar el enclavamiento del relé de alarma 1, use la opción “A1L” en el menú Configuración. El ajuste predefinido es SIN enclavamiento, “OFF”.
- Si la opción “tFS” está en “On”, el relé de alarma 1 se activará durante una condición de falla. El ajuste predefinido es Desactivado, “OFF”. El ajuste “tFS” se puede cambiar en el menú Configuración.
- Características eléctricas: relé unipolar, apto para una carga de 2 A, hasta 240 Vca o 30 Vcc.

4.4 Relé de alarma 2

- Para establecer el punto de ajuste del relé de alarma 2, use la opción “A2S” en el menú Configuración. Los valores seleccionables son “diS”, 0.25, 0.50, 1.00, 1.50 (predefinido), 2.00, 2.50, 3.00, 3.50, 4.00, 4.50 y 5.00.
- El relé de alarma 2 puede configurarse como normalmente abierto (NO, predefinido) o normalmente cerrado (NC). Esto se puede modificar a través del ajuste “A2c” en el menú Configuración.
- Para habilitar el enclavamiento del relé de alarma 2, use la opción “A2L” en el menú Configuración. El ajuste predefinido es SIN enclavamiento, “OFF”.
- El relé de alarma 2 responde únicamente a la lectura instantánea de gas (sin opción de promedio ponderado en el tiempo).
- Características eléctricas: relé unipolar, apto para una carga de 2 A, hasta 240 Vca o 30 Vcc.

4.5 Relé de alarma 3

- Para establecer el punto de ajuste del relé de alarma 3, use la opción “A3S” en el menú Configuración. Los valores seleccionables son “diS”, 0.25, 0.50, 1.00, 1.50, 2.00, 2.50, 3.00 (predefinido), 3.50, 4.00, 4.50 y 5.00.
- Para habilitar el enclavamiento del relé de alarma 3, use la opción “A3L” en el menú Configuración. El ajuste predefinido es CON enclavamiento, “ON”.
- El relé de alarma 3 puede cablearse como normalmente abierto (NO) o normalmente cerrado (NC). Esto solo se puede cambiar modificando el cableado.
- El relé de alarma 3 responde únicamente a la lectura instantánea de gas (sin opción de promedio ponderado en el tiempo).
- Características eléctricas: relé unipolar de dos vías (conmutador), apto para una carga de 2 A, hasta 240 Vca o 30 Vcc.

4.6 Comportamiento de la alarma

4.6.1 Prioridad de la alarma

De **menor a mayor**, la prioridad de la alarma es la siguiente: Alarma de advertencia, Alarma 1, Alarma 2, Alarma 3, Falla.

Por ejemplo, la condición de falla tiene la máxima prioridad. En consecuencia, cuando se produce una alarma y una condición de falla al mismo tiempo, el comportamiento de la unidad (zumbador, pantalla y LED de alimentación) seguirá la condición de falla.

4.6.2 Visualización activada (On),

Con la función de visualización activada (On), los diferentes comportamientos del instrumento serán los siguientes:

- **Aire limpio** – Si el aire está limpio, la pantalla mostrará la concentración actual de CO₂ en el aire.
Nota: la concentración de CO₂ para el “aire limpio” no es 0 pues los niveles atmosféricos normales de CO₂ oscilan entre el 0,03% y el 0,05%.

- **Alarma de advertencia** – Si la concentración de CO₂ alcanza el 0,5%, la pantalla mostrará la “lectura actual del gas” parpadeando. El zumbador sonará (un pitido cada 60 segundos) si la opción “bUZ” está activada (On).
- **Nivel de alarma 1** – Si la concentración (en porcentaje) de CO₂ alcanza el valor seleccionado para el Ajuste del relé de alarma 1, la pantalla alternará entre “ALr1” y la “lectura actual del gas”. El zumbador sonará (un pitido cada segundo) si la opción “bUZ” está activada (On).
- **Nivel de alarma 2** – Si la concentración (en porcentaje) de CO₂ alcanza el valor seleccionado para el Ajuste del relé de alarma 2, la pantalla alternará entre “ALr2” y la “lectura actual del gas”. El zumbador sonará (un pitido cada segundo) si la opción “bUZ” está activada (On).
- **Nivel de alarma 3** – Si la concentración (en porcentaje) de CO₂ alcanza el valor seleccionado para el Ajuste del relé de alarma 3, la pantalla alternará entre “ALr3” y la “lectura actual del gas”. El zumbador sonará (un pitido cada segundo) si la opción “bUZ” está activada (On).
- **Falla** – Si se produce una condición de falla en el dispositivo, la pantalla mostrará un código de error “t” (t01 por ejemplo). Si la opción “Ventilador ante condición de falla” (tFS) está activada, el relé de alarma 1 se activará. Consulte las secciones [5.1.2 Códigos de error “t”](#) y [4.5.11 Ventilador ante condición de falla – “tFS”](#).
- **Calibración por vencer** – Si la función Período de calibración está activada, la pantalla alternará entre “dUE” y la lectura actual del gas cuando el detector haya entrado en el último mes de su período de calibración. La advertencia por Calibración por vencer solo desaparece después de una calibración in situ correctamente realizada.

4.6.3 Visualización desactivada (Off)

Con la función de visualización desactivada (Off), los diferentes comportamientos del instrumento serán los siguientes:

- **Aire limpio** – Si el aire está limpio, la pantalla no muestra la concentración de CO₂, solo se encenderá la luz indicadora de encendido.
- **Alarma de advertencia** – Si la concentración de CO₂ alcanza el 0,5%, la pantalla no mostrará nada. El zumbador sonará (un pitido cada 60 segundos) si la opción “bUZ” está activada (On).
- **Nivel de alarma 1** – Si la concentración (en porcentaje) de CO₂ alcanza el valor seleccionado para el Ajuste del relé de alarma 1, la pantalla mostrará “ALr1”. El zumbador sonará (un pitido cada segundo) si la opción “bUZ” está activada (On).
- **Nivel de alarma 2** – Si la concentración (en porcentaje) de CO₂ alcanza el valor seleccionado para el Ajuste del relé de alarma 2, la pantalla mostrará “ALr2”. El zumbador sonará (un pitido cada segundo) si la opción “bUZ” está activada (On).
- **Nivel de alarma 3** – Si la concentración (en porcentaje) de CO₂ alcanza el valor seleccionado para el Ajuste del relé de alarma 3, la pantalla mostrará “ALr3”. El zumbador sonará (un pitido cada segundo) si la opción “bUZ” está activada (On).
- **Falla** – Si se produce una condición de falla en el dispositivo, la pantalla mostrará un código de error “t” (t01 por ejemplo). Si la opción “Ventilador ante condición de falla” (tFS) está activada, el relé de alarma 1 se activará. Consulte las secciones [5.1.2 Códigos de error “t”](#) y [4.5.11 Ventilador ante condición de falla – “tFS”](#).
- **Calibración por vencer** – Si la función Período de calibración está activada, la pantalla mostrará continuamente “dUE” cuando el detector haya entrado en el último mes de su período de calibración. La advertencia por Calibración por vencer solo desaparece después de una calibración in situ correctamente realizada.



4.7 Enclavamiento de los relés

Cada relé de alarma tiene la opción de enclavamiento. El enclavamiento mantiene al relé de alarma activado aun cuando la concentración de gas vuelva a descender por debajo del nivel de alarma.

Enclavamiento activado – Cuando la opción de enclavamiento del relé está activada (On) y la concentración de gas dispara la alarma, el relé continuará activado aun cuando la concentración de gas vuelva a descender por debajo del nivel de alarma. Para desenclavar y apagar el relé se debe interrumpir la alimentación o presionar el botón “ENTER/TEST”.

Cuando un relé está enclavado y la lectura está por debajo del umbral de alarma o si se ha solucionado una falla, la pantalla alternará entre “ALrX” y la “lectura del gas” (si la visualización está activada). En las mismas condiciones pero con la visualización apagada, la pantalla mostrará el texto “ALrX” fijo, donde X es 1, 2 o 3 en correspondencia con el relé de alarma 1, 2 o 3.

Enclavamiento desactivado – Cuando la opción de enclavamiento del relé está desactivada (Off) y la concentración de gas cae por debajo del nivel de alarma, los relés se desactivarán y el zumbador se detendrá.

NOTA: cuando la opción “tFS” está activada (On), el relé de alarma 1 será controlado por el ajuste de A1S y la falla. Por lo tanto, si ambas opciones, tFS (Ventilador ante condición de falla) y A1L (enclavamiento del relé de alarma 1), están activadas (On), el relé de alarma 1 también se enclavará cuando se produce una falla en la unidad.

4.8 Ajustes predefinidos en fábrica

Ajuste:	Valor predefinido:
Prueba en el encendido (Put)	Off (Desactivado)
Visualización (dSP)	On (Activado)
Zumbador (bUZ)	On (Activado)
Ajuste del relé de alarma 1 (A1S)	0.50
Configuración del relé de alarma 1 (A1c)	Normalmente abierto (NO)
Enclavamiento del relé de alarma 1 (A1L)	Off (Desactivado)
Activación de alarma 1 por promedio ponderado en el tiempo (A1t)	On (Activado)
Ajuste del relé de alarma 2 (A2S)	1.50
Configuración del relé de alarma 2 (A2c)	Normalmente abierto (NO)
Enclavamiento del relé de alarma 2 (A2L)	Off (Desactivado)
Ajuste del relé de alarma 3 (A3S)	3.00
Enclavamiento del relé de alarma 3 (A3L)	On (Activado)
Ventilador ante condición de falla (tFS)	Off (Desactivado, asignado al relé de alarma 1)
Calibración automática en segundo plano (Abc)	On (Activado)
Intervalo de calibración (CAL) (solo visible si Abc está desactivada (Off))	diS

Tabla 4-1 Ajustes predefinidos en fábrica

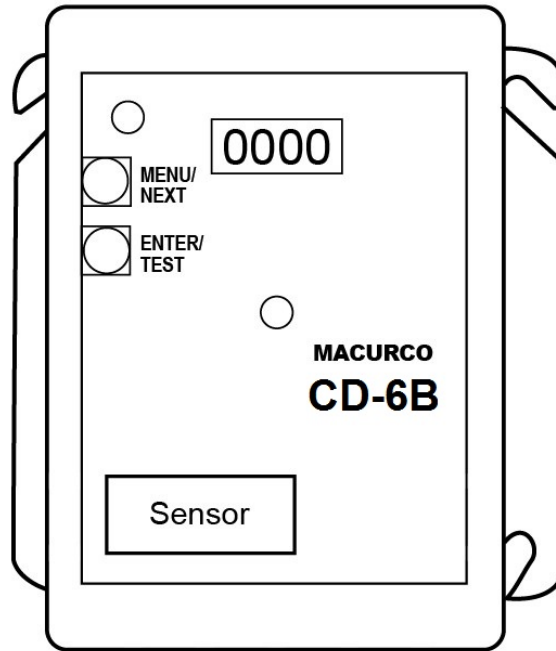


Figura 4-1 Vista delantera del detector

4.8.1 Selección de la Configuración predefinida – Opción “dEF”

Las opciones disponibles son “YES” (Sí), “nO” (No).

NOTA: este menú no se puede modificar cuando el CD-6B está en Calibración por vencer o Calibración vencida (si necesita información sobre las funciones Calibración por vencer o Calibración vencida, consulte la sección 4.8.16, Ajustes del período de calibración – “CAL”).

Para seleccionar la Configuración predefinida (esto restablecerá los ajustes predefinidos del dispositivo), en modo normal, proceda como se indica a continuación:

1. Pulse el botón **Next** para pasar a “Con” (Menú Configuración).
2. Pulse el botón **Enter** para acceder al menú “Con”.
3. La primera opción que aparece es “dEF” (Ajustes predefinidos). Pulse **Enter**.
4. Si ya está en la Configuración predefinida, la pantalla mostrará “YES” (Sí) y no habrá ninguna acción disponible. Si aún no está en Configuración predefinida, la pantalla mostrará “nO” (No).
5. Pulse **Next** para cambiar a “YES” (SÍ, parpadeando).
6. Pulse **Enter** para confirmar el restablecimiento de los ajustes predefinidos del dispositivo (la pantalla dejará de parpadear).
7. Pulse nuevamente **Enter** para volver al menú “Con”.
8. Pulse **Next** hasta que aparezca “End”.
9. Pulse **Enter** para volver a la operación normal.

4.8.2 Selección del ajuste Prueba en el encendido – Opción “PUt”

Las opciones disponibles son “OFF” (Desactivada), “On” (Activada).

Para seleccionar la configuración de la prueba en el encendido, en modo normal, proceda como se indica a continuación:

1. Pulse el botón **Next** para pasar a “Con” (Menú Configuración).
2. Pulse el botón **Enter** para acceder al menú “Con”.
3. Pulse **Next** 1 vez para pasar a “PUt” (Configuración de la prueba en el encendido).
4. Pulse **Enter**. La pantalla mostrará el ajuste actual.
5. Pulse **Next** para desplazarse a través de las opciones disponibles (la pantalla comenzará a parpadear).
6. Pulse **Enter** para confirmar el nuevo ajuste (la pantalla dejará de parpadear).
7. Pulse nuevamente **Enter** para volver al menú “Con”.
8. Pulse **Next** hasta que aparezca “End”.
9. Pulse **Enter** para volver a la operación normal.

4.8.3 Selección de la Configuración de la visualización – Opción “dSP”

Las opciones disponibles son “OFF” (Desactivada), “On” (Activada).

Para seleccionar la configuración de la visualización, en modo normal, proceda como se indica a continuación:

1. Pulse el botón **Next** para pasar a “Con” (Menú Configuración).
2. Pulse el botón **Enter** para acceder al menú “Con”.
3. Pulse **Next** 2 veces para pasar a “dsP” (Configuración de la visualización).
4. Pulse **Enter**. La pantalla mostrará el ajuste actual.
5. Pulse **Next** para desplazarse a través de las opciones disponibles (la pantalla comenzará a parpadear).
6. Pulse **Enter** para confirmar el nuevo ajuste (la pantalla dejará de parpadear).
7. Pulse nuevamente **Enter** para volver al menú “Con”.
8. Pulse **Next** hasta que aparezca “End”.
9. Pulse **Enter** para volver a la operación normal.

4.8.4 Selección de la Configuración del zumbador – Opción “bUZ”

Las opciones disponibles son “OFF” (Desactivado), “On” (Activado).

Para seleccionar la configuración del zumbador, en modo normal, proceda como se indica a continuación:

1. Pulse el botón **Next** para pasar a “Con” (Menú Configuración).
2. Pulse el botón **Enter** para acceder al menú “Con”.
3. Pulse **Next** 3 veces para pasar a “bUZ” (Configuración del zumbador).
4. Pulse **Enter**. La pantalla mostrará el ajuste actual.
5. Pulse **Next** para desplazarse a través de las opciones disponibles (la pantalla comenzará a parpadear).
6. Pulse **Enter** para confirmar el nuevo ajuste (la pantalla dejará de parpadear).
7. Pulse nuevamente **Enter** para volver al menú “Con”.
8. Pulse **Next** hasta que aparezca “End”.
9. Pulse **Enter** para volver a la operación normal.

4.8.5 Selección del Ajuste del relé de alarma 1 – Opción “A1S”

Las opciones disponibles son “diS”, 0.25, 0.50, 1.00, 1.50, 2.00, 2.50, 3.00, 3.50, 4.00, 4.50 y 5.00.

Para seleccionar el ajuste del relé de alarma 1, en modo normal, proceda como se indica a continuación:

1. Pulse el botón **Next** para pasar a “Con” (Menú Configuración).
2. Pulse el botón **Enter** para acceder al menú “Con”.
3. Pulse **Next** 4 veces para pasar a “A1S” (Ajuste del relé de alarma 1).
4. Pulse **Enter**. La pantalla mostrará el ajuste actual.
5. Pulse **Next** para desplazarse a través de las opciones disponibles (la pantalla comenzará a parpadear).
6. Pulse **Enter** para confirmar el nuevo ajuste (la pantalla dejará de parpadear).
7. Pulse nuevamente **Enter** para volver al menú “Con”.
8. Pulse **Next** hasta que aparezca “End”.
9. Pulse **Enter** para volver a la operación normal.

4.8.6 Selección de la Configuración del relé de alarma 1 – Opción “A1c”

Las opciones disponibles son “nO” (Normalmente abierto), “nC” (Normalmente cerrado).

Para seleccionar la configuración del relé de alarma 1, en modo normal, proceda como se indica a continuación:

1. Pulse el botón **Next** para pasar a “Con” (Menú Configuración).
2. Pulse el botón **Enter** para acceder al menú “Con”.
3. Pulse **Next** 5 veces para pasar a “A1c” (Configuración del relé de alarma 1).
4. Pulse **Enter**. La pantalla mostrará el ajuste actual.
5. Pulse **Next** para desplazarse a través de las opciones disponibles (la pantalla comenzará a parpadear).
6. Pulse **Enter** para confirmar el nuevo ajuste (la pantalla dejará de parpadear).
7. Pulse nuevamente **Enter** para volver al menú “Con”.
8. Pulse **Next** hasta que aparezca “End”.
9. Pulse **Enter** para volver a la operación normal.

4.8.7 Selección del Enclavamiento del relé de alarma 1 – Opción “A1L”

Las opciones disponibles son “OFF” (Desactivado), “On” (Activado).

Para seleccionar la configuración del enclavamiento del relé de alarma 1, en modo normal, proceda como se indica a continuación:

1. Pulse el botón **Next** para pasar a “Con” (Menú Configuración).
2. Pulse el botón **Enter** para acceder al menú “Con”.
3. Pulse **Next** 6 veces para pasar a “A1L” (Enclavamiento del relé de alarma 1).
4. Pulse **Enter**. La pantalla mostrará el ajuste actual.
5. Pulse **Next** para desplazarse a través de las opciones disponibles (la pantalla comenzará a parpadear).
6. Pulse **Enter** para confirmar el nuevo ajuste (la pantalla dejará de parpadear).
7. Pulse nuevamente **Enter** para volver al menú “Con”.
8. Pulse **Next** hasta que aparezca “End”.
9. Pulse **Enter** para volver a la operación normal.

4.8.8 Selección del Promedio ponderado en el tiempo (tWa) de la alarma 1 – Opción “A1t”

Las opciones disponibles son “OFF” (Desactivado), “On” (Activado).

Para seleccionar el tWa de la alarma 1, en modo normal, proceda como se indica a continuación:

1. Pulse el botón **Next** para pasar a “Con” (Menú Configuración).
2. Pulse el botón **Enter** para acceder al menú “Con”.

3. Pulse **Next** 7 veces para pasar a "A1t" (tWa de la alarma 1).
4. Pulse **Enter**. La pantalla mostrará el ajuste actual.
5. Pulse **Next** para desplazarse a través de las opciones disponibles (la pantalla comenzará a parpadear).
6. Pulse **Enter** para confirmar el nuevo ajuste (la pantalla dejará de parpadear).
7. Pulse nuevamente **Enter** para volver al menú "Con".
8. Pulse **Next** hasta que aparezca "End".
9. Pulse **Enter** para volver a la operación normal.

4.8.9 Selección del Ajuste del relé de alarma 2 – Opción "A2S"

Las opciones disponibles son "diS", 0.25, 0.50, 1.00, 1.50, 2.00, 2.50, 3.00, 3.50, 4.00, 4.50 y 5.00.

Para seleccionar el ajuste del relé de alarma 2, en modo normal, proceda como se indica a continuación:

1. Pulse el botón **Next** para pasar a "Con" (Menú Configuración).
2. Pulse el botón **Enter** para acceder al menú "Con".
3. Pulse **Next** 8 veces para pasar a "A2S" (Ajuste del relé de alarma 2).
4. Pulse **Enter**. La pantalla mostrará el ajuste actual.
5. Pulse **Next** para desplazarse a través de las opciones disponibles (la pantalla comenzará a parpadear).
6. Pulse **Enter** para confirmar el nuevo ajuste (la pantalla dejará de parpadear).
7. Pulse nuevamente **Enter** para volver al menú "Con".
8. Pulse **Next** hasta que aparezca "End".
9. Pulse **Enter** para volver a la operación normal.

4.8.10 Selección de la Configuración del relé de alarma 2 – Opción "A2c"

Las opciones disponibles son "nO" (Normalmente abierto), "nC" (Normalmente cerrado).

Para seleccionar la configuración del relé de alarma 2, en modo normal, proceda como se indica a continuación:

1. Pulse el botón **Next** para pasar a "Con" (Menú Configuración).
2. Pulse el botón **Enter** para acceder al menú "Con".
3. Pulse **Next** 9 veces para pasar a "A2c" (Configuración del relé de alarma 2).
4. Pulse **Enter**. La pantalla mostrará el ajuste actual.
5. Pulse **Next** para desplazarse a través de las opciones disponibles (la pantalla comenzará a parpadear).
6. Pulse **Enter** para confirmar el nuevo ajuste (la pantalla dejará de parpadear).
7. Pulse nuevamente **Enter** para volver al menú "Con".
8. Pulse **Next** hasta que aparezca "End".
9. Pulse **Enter** para volver a la operación normal.

4.8.11 Selección del Enclavamiento del relé de alarma 2 – Opción "A2L"

Las opciones disponibles son "OFF" (Desactivado), "On" (Activado).

Para seleccionar la configuración del enclavamiento del relé de alarma 2, en modo normal, proceda como se indica a continuación:

1. Pulse el botón **Next** para pasar a "Con" (Menú Configuración).
2. Pulse el botón **Enter** para acceder al menú "Con".
3. Pulse **Next** 10 veces para pasar a "A2L" (Enclavamiento del relé de alarma 2).
4. Pulse **Enter**. La pantalla mostrará el ajuste actual.



5. Pulse **Next** para desplazarse a través de las opciones disponibles (la pantalla comenzará a parpadear).
6. Pulse **Enter** para confirmar el nuevo ajuste (la pantalla dejará de parpadear).
7. Pulse nuevamente **Enter** para volver al menú "Con".
8. Pulse **Next** hasta que aparezca "End".
9. Pulse **Enter** para volver a la operación normal.

4.8.12 Selección del Ajuste del relé de alarma 3 – Opción "A3S"

Las opciones disponibles son "diS", 0.25, 0.50, 1.00, 1.50, 2.00, 2.50, 3.00, 3.50, 4.00, 4.50 y 5.00.

Para seleccionar el ajuste del relé de alarma 3, en modo normal, proceda como se indica a continuación:

1. Pulse el botón **Next** para pasar a "Con" (Menú Configuración).
2. Pulse el botón **Enter** para acceder al menú "Con".
3. Pulse **Next** 11 veces para pasar a "A3S" (Ajuste del relé de alarma 1).
4. Pulse **Enter**. La pantalla mostrará el ajuste actual.
5. Pulse **Next** para desplazarse a través de las opciones disponibles (la pantalla comenzará a parpadear).
6. Pulse **Enter** para confirmar el nuevo ajuste (la pantalla dejará de parpadear).
7. Pulse nuevamente **Enter** para volver al menú "Con".
8. Pulse **Next** hasta que aparezca "End".
9. Pulse **Enter** para volver a la operación normal.

4.8.13 Selección del Enclavamiento del relé de alarma 3 – Opción "A3L"

Las opciones disponibles son "OFF" (Desactivado), "On" (Activado).

Para seleccionar la configuración del enclavamiento del relé de alarma 3, en modo normal, proceda como se indica a continuación:

1. Pulse el botón **Next** para pasar a "Con" (Menú Configuración).
2. Pulse el botón **Enter** para acceder al menú "Con".
3. Pulse **Next** 12 veces para pasar a "A3L" (Enclavamiento del relé de alarma 3).
4. Pulse **Enter**. La pantalla mostrará el ajuste actual.
5. Pulse **Next** para desplazarse a través de las opciones disponibles (la pantalla comenzará a parpadear).
6. Pulse **Enter** para confirmar el nuevo ajuste (la pantalla dejará de parpadear).
7. Pulse nuevamente **Enter** para volver al menú "Con".
8. Pulse **Next** hasta que aparezca "End".
9. Pulse **Enter** para volver a la operación normal.

4.8.14 Selección del ajuste Ventilador ante condición de falla – Opción "tFS"

Las opciones disponibles son "OFF" (Desactivado), "On" (Activado).

Para seleccionar el ajuste del ventilador ante condición de falla, en modo normal, proceda como se indica a continuación:

Si la opción tFS está activada (On), el ajuste Ventilador ante condición de falla se activará cuando el relé de alarma 1 se active.

1. Pulse el botón **Next** para pasar a "Con" (Menú Configuración).
2. Pulse el botón **Enter** para acceder al menú "Con".

3. Pulse **Next** 13 veces para pasar a "tFS" (Ajuste Ventilador ante condición de falla).
4. Pulse **Enter**. La pantalla mostrará el ajuste actual.
5. Pulse **Next** para desplazarse a través de las opciones disponibles (la pantalla comenzará a parpadear).
6. Pulse **Enter** para confirmar el nuevo ajuste (la pantalla dejará de parpadear).
7. Pulse nuevamente **Enter** para volver al menú "Con".
8. Pulse **Next** hasta que aparezca "End".
9. Pulse **Enter** para volver a la operación normal.

4.8.15 Selección de la Calibración automática en segundo plano – Opción "Abc"

Las opciones disponibles son "OFF" (Desactivada), "On" (Activada).

NOTA: este ajuste no se puede cambiar cuando la unidad está en Calibración por vencer o Calibración vencida (código de error "t 80").

Para seleccionar el ajuste de la Calibración automática en segundo plano, en modo normal, proceda como se indica a continuación:

1. Pulse el botón **Next** para pasar a "Con" (Menú Configuración).
2. Pulse el botón **Enter** para acceder al menú "Con".
3. Pulse **Next** 14 veces (15 veces si el ajuste actual es "OFF") para pasar a "Abc" (Calibración automática en segundo plano).
4. Pulse **Enter**. La pantalla mostrará el ajuste actual.
5. Pulse **Next** para desplazarse a través de las opciones disponibles (la pantalla comenzará a parpadear).
6. Pulse **Enter** para confirmar el nuevo ajuste (la pantalla dejará de parpadear).
7. Pulse nuevamente **Enter** para volver al menú "Con".
8. Pulse **Next** hasta que aparezca "End".
9. Pulse **Enter** para volver a la operación normal.

4.8.16 Selección del Período de calibración – Opción "CAL"

Esta opción está **disponible únicamente cuando "Abc" está desactivada (OFF)**.

El valor seleccionado en los ajustes del período de calibración indica la cantidad de meses. El instrumento CD-6B indica una "calibración por vencer" cuando está dentro del último mes del período de calibración, y una "calibración vencida" cuando el detector ha alcanzado o excedido el período de calibración. Los ajustes del período de calibración no se pueden modificar cuando el CB-6B está en Calibración por vencer o Calibración vencida.

Para seleccionar la opción Período de calibración, en modo normal, proceda como se indica a continuación:

1. Pulse el botón **Next** para pasar a "Con" (Menú Configuración).
2. Pulse **Enter** para acceder al menú "Con".
3. Pulse **Next** 14 veces para pasar a "CAL" (Ajuste del Período de calibración).
4. Pulse **Enter**. La pantalla mostrará el ajuste actual.
5. El ajuste predefinido es Desactivado, "dis". Pulse **Next** para cambiar a 3, 6, 12 o 24 (parpadeando).
6. Presione **Enter** para confirmar el cambio (deja de parpadear y pasa a fijo).
7. Pulse nuevamente **Enter** para volver a "CAL" en el menú "Con".
8. Pulse **Next** hasta que aparezca "End".
9. Pulse **Enter** para volver a la operación normal.

5 Localización y solución de problemas

5.1 Autodiagnóstico

El CD-6B monitorea todas las funciones críticas de la unidad mediante diagnósticos por software que continuamente prueban y verifican las operaciones de la unidad.

5.1.1 Condición de falla

Si se encuentra un problema, la unidad cambia a un modo a prueba de fallas/error o condición de falla. En este modo de error, ocurre lo siguiente:

- El relé de alarma 1 se activa (si "tFS" está activado (On)).
- la unidad muestra el código de error.
- el indicador LED verde de estado parpadea.
- el zumbador suena de manera intermitente.

Para borrar este modo, simplemente apague la unidad durante unos segundos o pulse el botón **ENTER/TEST** (dentro de la unidad). Esto reiniciará la unidad y ejecutará un ciclo de autoverificación de 1 minuto.

5.1.2 Códigos de error "t"

Durante una condición de falla, la pantalla mostrará un código de error "t". La falla se indica en la pantalla alternando cada segundo entre "t XX" y "tYYY", si XX es distinto de cero, o solo "tYYY" si XX es cero. La Tabla 5-1, a continuación, muestra la descripción de la falla asociada con cada código de error "t".

t XX	
t 01	Error fatal del sensor (transmitido por el sensor) o tipo de sensor incorrecto (ocurre cuando el firmware detecta que el sensor instalado tiene una sensibilidad distinta al 5% en volumen).
t 02	Error de regulación de compensación del sensor (transmitido por el sensor).
t 04	Error de algoritmo del sensor (transmitido por el sensor).
t 08	Error de salida del sensor (transmitido por el sensor).
t 10	Error de autodiagnóstico del sensor (transmitido por el sensor).
t 20	Error de sensor fuera de rango (transmitido por el sensor).
t 40	Error de memoria del sensor (transmitido por el sensor).
t 80	Calibración vencida* (definido por el firmware).
tYYY	
t001	Pérdida de sensor (solo en el encendido).
t004	Suma de verificación incorrecta de EEPROM.
t008	Error de comunicación Modbus (durante la operación normal).
t010	EEPROM defectuosa.
t020	Calibración incorrecta.
t040	Falla de calibración de fábrica: temperatura, cero, rango o nunca calibrado.
t080	Falla por presión incorrecta durante la calibración en fábrica.
t100	Sensor por debajo del rango.
t200	Sensor caducado (vea la sección 5.3, Señal de fin de vida útil para resolver el error).
t400	Falla de presión en el sensor.
t800	Placa de circuitos no probada.

Tabla 5-1 Descripción de los códigos de error "t"

Si la condición de falla se repite con frecuencia, verifique la continuidad de la alimentación y si el voltaje es el correcto. Si el problema no está en la alimentación y la unidad repite las condiciones de falla, es posible que haya que enviarlo a Macurco para su reparación, de acuerdo con estas Instrucciones de utilización.

Múltiples códigos de error – Si se producen varios códigos de error de forma simultánea, los diferentes códigos de error se agregarán juntos en un código de error combinado. Por ejemplo, si “t 08” y “t 80” ocurren simultáneamente, la pantalla mostrará “t 88”.

Si la suma de un dígito (unidades, decenas o centenas) es mayor de 9, la pantalla mostrará la representación hexadecimal correspondiente a la suma (consulte la Tabla 2 - Conversión decimal a hexadecimal). Por ejemplo, si “t 02” y “t 08” existen simultáneamente, la pantalla mostrará “t 0A” (2 + 8 = 10 y el equivalente hexadecimal de 10 = A). Del mismo modo, si “t 40” y “t 80” existen simultáneamente, la pantalla mostrará “t c0”. Esto corresponde para ambos códigos de error “t XX” y “t YYY”.

Número decimal	Representación hexadecimal mostrada en la pantalla
10	A
11	b
12	c
13	d
14	E
15	F

Tabla 5-2 – Conversión decimal a hexadecimal

5.2 Envenenamiento del sensor

A diferencia de los sensores catalíticos y electroquímicos tradicionales, los sensores IR utilizan una fuente de luz y un receptor para detectar un gas específico. Por lo tanto, es menos probable que el sensor resulte afectado por sustancias inhibitoras o venenosas, lo que mejora significativamente la seguridad y la vida útil del sensor.

5.3 Señal de fin de vida útil

El sensor infrarrojo no reemplazable (sensor IR) del CD-6B tiene una larga vida útil. Quince (15) años después de la instalación del CD-6B, el sensor activará la señal indicadora del fin de su vida útil nominal. La señal del fin de vida útil generará un código de error t200 “Sensor caducado”. Consulte la sección [5.1.2 Códigos de error “t”](#). Para silenciar la señal de fin de vida útil durante 48 horas, pulse el botón **ENTER/TEST** o interrumpa temporalmente la alimentación de la unidad. La señal de fin de vida útil brinda al usuario la oportunidad de probar o calibrar el sensor para asegurarse de que aún funciona dentro de parámetros aceptables, aunque el sensor está próximo a alcanzar el final de su vida útil esperada. La función de silenciado continuará disponible durante 29 días después de que el CD-6B haya emitido su primera señal de fin de vida útil. Después de este período de 29 días, el CD-6B ya no puede ser silenciado y debe ser reemplazado.

⚠ ADVERTENCIA
No desmonte la unidad ni intente reparar o modificar ninguno de sus componentes. Este instrumento no contiene piezas que puedan ser reparadas por el usuario, y la sustitución de componentes podría perjudicar el rendimiento del producto.

6 Mantenimiento

El detector CD-6B es un instrumento de bajo mantenimiento. La unidad emplea un sensor NDIR de larga duración cuya expectativa de vida es de 15 años (en condiciones normales).

Todas las tareas de mantenimiento y reparación de los productos fabricados por Macurco se realizan en las instalaciones de fabricación de Macurco. Macurco no aprueba la reparación de sus productos por terceros.

6.1 Calibración

El CD-6B utiliza un programa de calibración automática en segundo plano (Abc) que establece el nivel de aire limpio. El CD-6B mantendrá la exactitud si se lo expone al "valor de referencia de aire limpio" (este valor de referencia es la concentración más baja a la que se expone el sensor) al menos una vez por semana.

NOTA: esto corresponde a una aplicación en el aire de un ambiente interior típico con períodos semanales sin ocupación.

Si la calibración automática en segundo plano (Abc) está desactivada, será necesario ejecutar una calibración manual a intervalos regulares para mantener la precisión de manera confiable (consulte la sección 7 Pruebas). El aparato puede configurarse para que emita recordatorios de calibración mediante el ajuste "Período de Calibración" (CAL) (consulte la sección 4.8.16).

6.2 Restablecimiento de la vida del sensor

La vida útil del sensor puede prorrogarse solo por un año, por lo que la opción de restablecimiento de la vida útil del sensor no está disponible una vez transcurrido ese período de extensión.

Después de restablecer la vida útil del sensor, la unidad seguirá indicando el error "t 80" y deberá ser calibrada antes de que pueda usarse durante el período de extensión de su vida útil extendida de 1 año.

Para restablecer la vida del sensor, proceda como se indica a continuación:

1. Retire el tornillo Philips de la parte delantera del CD-6B. Desmonte la tapa delantera de la unidad.
2. En el modo de operación normal, pulse **NEXT** cuatro veces. La pantalla mostrará "SEn" (Modo del sensor).
3. Pulse **ENTER**. La pantalla mostrará "rSt" (Modo restablecimiento del sensor).
4. Pulse nuevamente **ENTER** para ver el estado de restablecimiento del sensor.
5. Si la vida del sensor ya ha sido restablecida, la pantalla mostrará "don". Si aún no ha sido restablecida, la pantalla mostrará "nO". Pulse **NEXT** para cambiar a "YES" (Sí, parpadeando).
6. Pulse **ENTER** para confirmar el cambio (el texto queda fijo), y pulse nuevamente **ENTER** para volver a "rSt" en el menú "SEn".
7. Pulse **NEXT** hasta que aparezca "End" (Fin) y, a continuación, pulse **ENTER** para volver a la operación normal. La vida útil del sensor se restablecerá durante 1 año.

6.3 Limpieza

La limpieza de las superficies externas se realiza mejor con un paño humedecido en una solución de detergente o jabón suave. Utilice una aspiradora con un cepillo suave para eliminar el polvo y la suciedad acumulada debajo de la tapa. No limpie el sensor con aire comprimido.

PRECAUCIÓN

Evite el uso de materiales de limpieza agresivos, abrasivos y disolventes orgánicos. Estos materiales pueden rayar de manera permanente las superficies y producir daños en la pantalla de visualización, las etiquetas, el sensor o la caja del instrumento. Este detector contiene conexiones de alto voltaje (100-240 Vca) que implican un riesgo para los técnicos de servicio. La caja del detector debe ser abierta únicamente por técnicos cualificados, que cuenten con la capacitación necesaria para trabajar en sus circuitos internos. Antes de limpiar el detector verifique que la alimentación eléctrica de la unidad esté interrumpida.

7 Pruebas

ADVERTENCIA

El uso de un gas certificado para realizar una prueba de verificación de calibración (prueba de respuesta) cuya concentración es diferente a la indicada para este detector, producirá lecturas inexactas. Esto significa que pueden existir niveles más altos del gas que se está monitoreando y esto podría causar una sobreexposición. Para usar correctamente la unidad, consulte el manual del supervisor o de utilización, o llame a nuestro Servicio de Asistencia Técnica al 1-844-325-3050 (en EE.UU.).

Todas las unidades CD-6B se entregan calibradas de fábrica y probadas al 100% para asegurar que funcionan correctamente. Durante la operación normal, el indicador LED de estado estará encendido fijo en verde y los relés de alarma estarán en modo de espera.

La unidad también ejecuta una autoverificación automática periódica durante la operación normal. Si la unidad detecta un voltaje incorrecto o un componente inoperable, entrará en modo de error (acción predefinida). En este modo de error, el relé de alarma 1 se activa si tFS está activado (On), la pantalla muestra el código de error, el indicador LED de estado parpadea en verde y el zumbador suena de forma intermitente.

7.1 Pruebas

Antes de llevar a cabo una prueba, verifique que el indicador LED de estado del CD-6B esté encendido fijo en verde. En caso contrario, no continúe con las pruebas. Si la unidad está en modo de error, comuníquese con el representante de Macurco más cercano a su localidad o con el Servicio de Asistencia Técnica de Macurco y solicite información sobre cómo resolver el problema.

7.1.1 Prueba de operación

Una prueba de operación iniciará la siguiente secuencia de pruebas:

1. Zumbador – Suena durante 3 segundos, la pantalla muestra “bUZ” parpadeando mientras el zumbador está encendido.
2. Relé de alarma 1 – Se activa durante 5 segundos, la pantalla muestra “A1rt” parpadeando mientras el relé está encendido.
3. Relé de alarma 2 – Se activa durante 5 segundos, la pantalla muestra “A2rt” parpadeando mientras el relé está encendido.
4. Relé de alarma 3 – Se activa durante 5 segundos, la pantalla muestra “A3rt” parpadeando mientras el relé está encendido.

NOTA: si un relé de alarma ha sido desactivado mediante la opción “diS”, no aparecerá en la secuencia de prueba de operación.

Para ejecutar una prueba de operación, proceda como se indica a continuación:

1. Retire el único tornillo instalado en el centro de la tapa delantera del CD-6B.
2. Desmonte la tapa delantera.
3. Observe el indicador LED de la parte delantera del CD-6B. Si la luz está en verde y fija, vaya al paso 5.
4. Si el indicador LED de estado está apagado o parpadea en verde, consulte la sección anterior.
5. Pulse el botón **ENTER/TEST** montado en el lado izquierdo de la placa de circuitos impresos.
6. El CD-6B ejecutará una prueba de operación como se ha descrito anteriormente.
7. Una vez finalizada la prueba, vuelva a montar la unidad.

7.1.2 Prueba de operación manual

Esta opción le ofrece al usuario la posibilidad de iniciar manualmente una prueba individual para el zumbador (bUZ), el relé de alarma 1 (A1rt), el relé de alarma 2 (A2rt), el relé de alarma 3 (A3rt) y la respuesta del sensor al gas (gtS).

Durante cada prueba, ocurrirá lo siguiente:


- **bUZ** – Prueba del zumbador, 3 segundos, la pantalla muestra “bUZ” parpadeando mientras el zumbador está encendido.
- **A1rt** – Relé de alarma 1, se activa durante 5 segundos, la pantalla muestra “A1rt” parpadeando.
- **A2rt** – Relé de alarma 2, se activa durante 5 segundos, la pantalla muestra “A2rt” parpadeando.
- **A3rt** – Relé de alarma 3, se activa durante 5 segundos, la pantalla muestra “A3rt” parpadeando.
- **gtS** – Prueba del gas, 3 minutos, la pantalla alternará entre “gtS” y la lectura actual del gas, LED verde parpadeando, los relés no son activados por la lectura de gas, el LED verde continúa parpadeando durante un minuto más y luego cambia a verde fijo.

NOTA: si un relé de alarma ha sido desactivado mediante la opción “diS”, la selección de su prueba no aparecerá en el menú de prueba.

Para ejecutar una prueba de operación manual, proceda como se indica a continuación:

1. En el modo de operación normal, pulse el botón **NEXT** 2 veces para pasar al modo de prueba (tSt).
2. Pulse el botón **ENTER** una vez para acceder al menú de prueba.
3. Pulse **NEXT** para desplazarse por las cinco opciones de prueba.
4. Pulse **ENTER** para iniciar la prueba seleccionada.
5. Una vez finalizada la prueba, la visualización volverá a la normalidad.
6. Pulse **NEXT** hasta que aparezca “End” y salga del menú de prueba.
7. Pulse **ENTER** para volver al modo normal.

7.2 Kit de calibración

 ADVERTENCIA
Para realizar una prueba de verificación de calibración (prueba de respuesta) y una calibración con el objetivo de garantizar el desempeño correcto del monitor, se deben llevar a cabo los pasos siguientes. En caso contrario, el rendimiento del producto podría resultar afectado negativamente.
<ul style="list-style-type: none">• Cuando realice una prueba de verificación de calibración (prueba de respuesta) y una

calibración, utilice únicamente un gas de calibración certificado con el nivel de concentración requerido.

- No realice pruebas con un gas de calibración vencido.
- No cubra ni obstruya la pantalla ni la tapa de la alarma visual.
- Asegúrese de que las entradas del sensor no estén obstruidas y manténgalas limpias.

El incumplimiento de las instrucciones descritas en este manual de utilización puede provocar enfermedades o la muerte.

Para llevar a cabo una calibración in situ se necesita un kit de calibración CD6B-FCK. Estos kits puede comprarlos a través de los distribuidores locales de Macurco.

- Cilindro de gas:
 - (1) 17 litros de dióxido de carbono (CO₂) a 400 ppm en aire.
 - (2) 17 litros de dióxido de carbono (CO₂) al 5% (en volumen) en aire.
- Regulador de gas, 0,2 L/minuto
- Alrededor de 60 cm de manguera
- Campana de calibración CD-6-CH
- Maletín de transporte

Información del kit FCK

Un kit FCK permite calibrar varios detectores. La única limitación es la cantidad de gas en el cilindro. El cilindro de 17 litros permite ejecutar una calibración continua durante aproximadamente 85 minutos. Hay cilindros de repuesto disponibles. El cilindro de gas debe reemplazarse cuando el manómetro del regulador indique una presión de 25 psi o menos, o se haya alcanzado la fecha de caducidad.

NOTA: para obtener los mejores resultados en la calibración, se sugiere que la unidad se encuentre en un entorno con aire limpio, con la luz verde encendida y una baja circulación de aire en el ambiente.

NOTA: los instrumentos CD-6B deben probarse o calibrarse a intervalos regulares de acuerdo con los requisitos de la norma 720 de la NFPA o los del código local. Se recomienda probar o calibrar el CD-6B al menos una vez al año.

7.3 Pruebas con gas

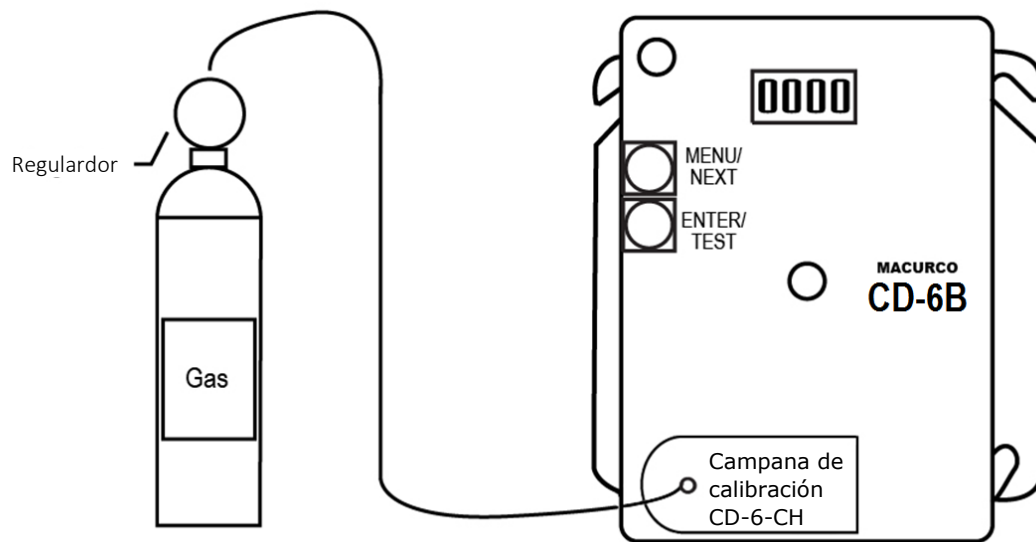


Figura 7-1 Conexión de calibración del CD-6B

7.3.1 Prueba de los relés de alarma

NOTA: la concentración de CO₂ activará los relés de alarma en función de los ajustes seleccionados.

1. Conecte el cilindro de dióxido de carbono al 5% en volumen al regulador.
2. Controle la presión en el manómetro del regulador. Si tiene 25 psi o menos, deberá reemplazar el recipiente de gas. Revise la fecha de vencimiento de la carga del cilindro, si ha caducado, reemplace el cilindro.
3. Coloque la campana de prueba sobre el sensor de CO₂. Abra el regulador para que comience a fluir el gas.
4. Los relés de alarma deberán activarse de acuerdo con los ajustes seleccionados.
5. Cuando la función de visualización está activada (On) y la concentración de CO₂ alcanza el valor seleccionado para el Ajuste del relé de alarma 1, la pantalla alternará entre "ALr1" y la "lectura actual del gas". Si el zumbador está activado (opción bUZ en "On"), éste sonará para indicar una "Alarma". Si la función de visualización está desactivada (Off), la pantalla no muestra la concentración de CO₂, pero muestra "ALr1" mientras el relé de alarma 1 está activado.

NOTA: si el relé de alarma no se activa en 2 minutos, hay cuatro posibilidades:

- a. El detector tiene el relé de alarma desactivado (diS). Ajuste el relé de alarma deseado al 1,5% y repita la prueba.
 - b. El cilindro de gas está vacío, revise el manómetro. Reemplace el cilindro de gas si la presión es de 25 psi o menos.
 - c. La unidad se debe volver a calibrar (deje que realice una calibración automática en segundo plano o calíbrela manualmente y repita la prueba).
 - d. El detector necesita servicio (envíe la unidad a la fábrica para su reparación).
6. Elimine el gas del sensor y vuelva a colocar la tapa superior.

7.3.2 Prueba con aerosol

Macurco no tiene, por ahora, la posibilidad de realizar una prueba con aerosol en el detector CD-6B.

7.4 Procedimiento de calibración in situ

Si la calibración automática en segundo plano (Abc) está desactivada, será necesario ejecutar una calibración manual in situ a intervalos regulares. El instrumento CD-6B tiene un menú "CAL" de alto nivel que se puede utilizar para realizar una calibración in situ.

NOTA: el menú "CAL" no está disponible cuando "Abc" está desactivado (On).

7.4.1 Procedimiento de calibración in situ

Para obtener los mejores resultados en la calibración, se sugiere que la unidad se encuentre en un entorno con aire limpio y una baja circulación de aire en el ambiente.

Para realizar una calibración in situ, proceda como si indica a continuación:

1. Retire el tornillo Philips de la parte delantera del CD-6B. Desmonte la tapa delantera.
2. Abra el kit de calibración in situ. Conecte el cilindro de dióxido de carbono de 400 ppm al regulador.
3. Controle la presión en el manómetro del regulador. Si tiene 25 psi o menos, deberá reemplazar el recipiente de gas. Revise la fecha de vencimiento de la carga del cilindro, si ha caducado, reemplace el cilindro.
4. Monte el regulador, la manguera y la campana de prueba y coloque la campana sobre el sensor de CO.
5. Abra el regulador para que comience a fluir el gas y espere con el gas continuamente aplicado.
6. Pulse tres veces el botón **MENU/NEXT** del detector para acceder al menú "CAL".
7. Pulse **ENTER/TEST**.
8. La pantalla mostrará "tSC" (si la calibración automática en segundo plano (Abc) está desactivada (OFF)). Pulse **MENU/NEXT** para pasar a "Spn".
9. Pulse **ENTER/TEST**.
10. Comienza la calibración y se observa la siguiente secuencia:
 - a. c119 y 0.04 intermitente y el LED verde parpadeando, donde el valor después de c disminuye 2 unidades en cada destello.
 - b. Después de c90 alternará entre la lectura actual del gas y c90, donde el valor después de c disminuye 2 unidades en cada destello.
 - c. Después de 2 minutos, la pantalla hará una cuenta regresiva mostrando "CAL7", "CAL6", "CAL5", "CAL4", "CAL3", "CAL2", "CAL1".
 - d. La pantalla mostrará "PASS" alternando con "0.04" después de una calibración in situ exitosa.
 - e. El LED verde parpadea durante otro minuto.
 - f. Cuando el LED verde está fijo, la pantalla LED también vuelve a la normalidad y muestra la lectura actual del gas.
11. Si la calibración falla, la pantalla alternará entre "lectura de gas" y "FAil" durante 30 segundos.

NOTA: el código de error por "calibración incorrecta" solo se borrará si el sensor vuelve a calibrarse correctamente.

Si ocurre una falla en la calibración, revise la presión en el manómetro del regulador. Si la presión es inferior a 25 psi, el flujo de gas puede no resultar adecuado para calibrar correctamente la unidad. Si la presión en el cilindro es adecuada, repita los pasos 5 al 12. Si la unidad lleva a cabo dos intentos incorrectos de

calibración, comuníquese con el Servicio de Asistencia Técnica: 1-844-325-3050 (en EE.UU.)

NOTA: es fundamental que verifique el uso de CO₂ de 400 ppm como gas de calibración.

12. Cuando haya finalizado la calibración, retire el gas y desmonte el cilindro y el regulador.
13. Vuelva a montar el detector CD-6B (asegúrese de que el LED esté alineado con el agujero delantero de la caja).
14. Consulte el diagrama de flujo de la calibración que se encuentra en el interior de la caja, o consulte la sección [9.5 Menú CAL](#).

7.4.2 Tiempo transcurrido desde la última calibración

El detector CD-6B registra el tiempo transcurrido desde la última calibración.

NOTA: el tiempo transcurrido desde la última calibración (tSC) se puede ver solo cuando la opción “Abc” del menú “CAL” (consulte la sección 4.8.15) está desactivada (OFF).

Para ver el tiempo transcurrido desde la última calibración, proceda como se indica a continuación:

1. Pulse tres veces **MENU/NEXT** para acceder al menú “CAL”.
2. Pulse **ENTER/TEST**.
3. La pantalla mostrará “tSC” (únicamente si la calibración automática en segundo plano (Abc) está desactivada (OFF)). Pulse **ENTER/TEST**.
4. La pantalla mostrará el tiempo transcurrido desde la última calibración. El valor se muestra en el formato A.MM, donde “A” es la cantidad de años y “MM” es la cantidad de meses. Por ejemplo, 1 año y 6 meses aparecerá como “1.06”.
5. Pulse **ENTER/TEST** para volver al menú “CAL”.

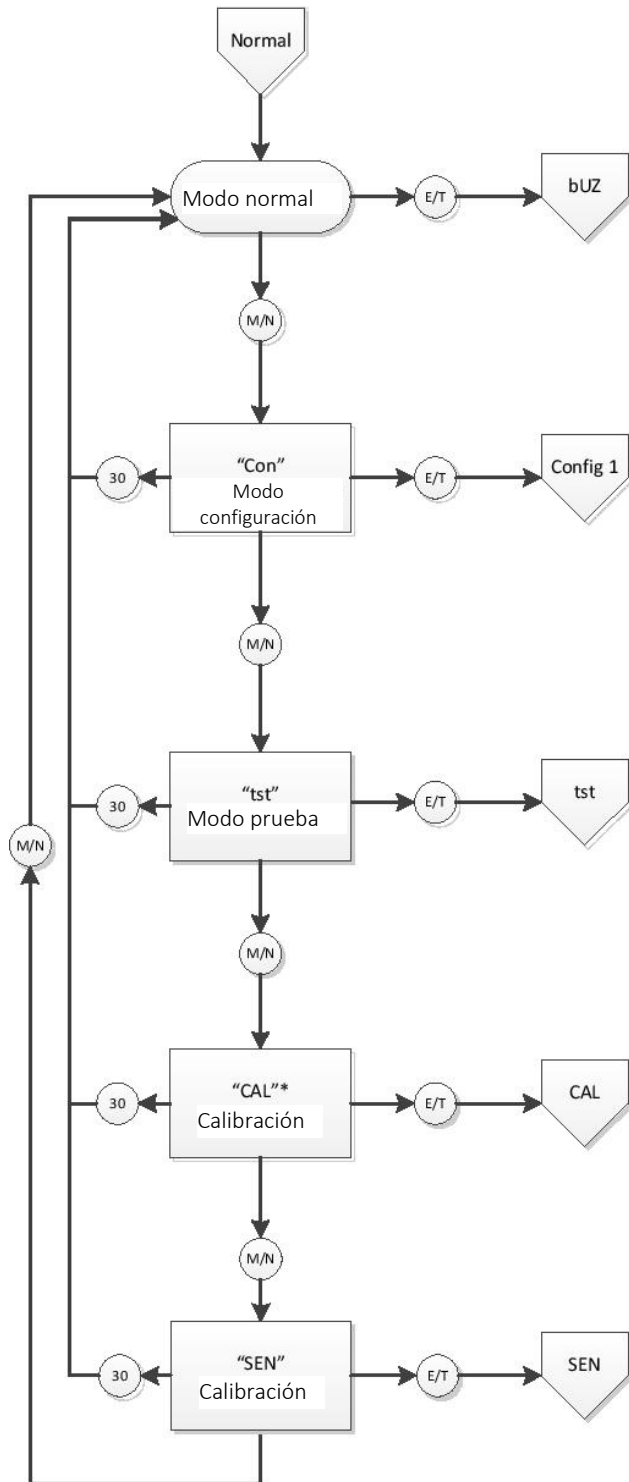
8 Anexo A – Tabla de ilustraciones

Figure 3-2 CD-6B Rear View.....	9
Figure 3-3 CD-6B Typical Installation wiring diagram.....	9
Figure 3-4 CD-6B Typical Installation Layout.....	10
Figure 3-5 CD-6B Multiple Device diagram	10
Figure 3-6 CD-6B Alarm Control Panel diagram	11
Figure 3-7 CD-6B Alternate Alarm Panel	11
Figure 3-8 CD-6B Horn & Strobe Combo Wiring	12
Table 4-1 Default settings.....	16
Figure 4-1 Board View	17
Table 5-1 "t" Error Code Descriptions	23
Table 5-2 – Decimal to Hexadecimal conversion	24
Figure 7-1 CD-6B Calibration Connection.....	29



9 Anexo B – Estructura del menú

9.1 Menú principal



NOTAS:

1. Los ajustes del sensor se encuentran en la planilla de ajustes del sensor. Todos los ajustes indicados aquí son solo a modo de ejemplo.
2. El texto en **ROJO** indica dónde se realizan cambios en la configuración.
3. Las comillas indican lo que se muestra en la pantalla. Dos cadenas de caracteres entre comillas separadas por una barra inclinada (por ejemplo, “/_On”) indican que la visualización alterna entre ambas cadenas de caracteres.

Botón Menu/Next

Botón Enter/Test

Espere 30 segundos

Espere xx segundos

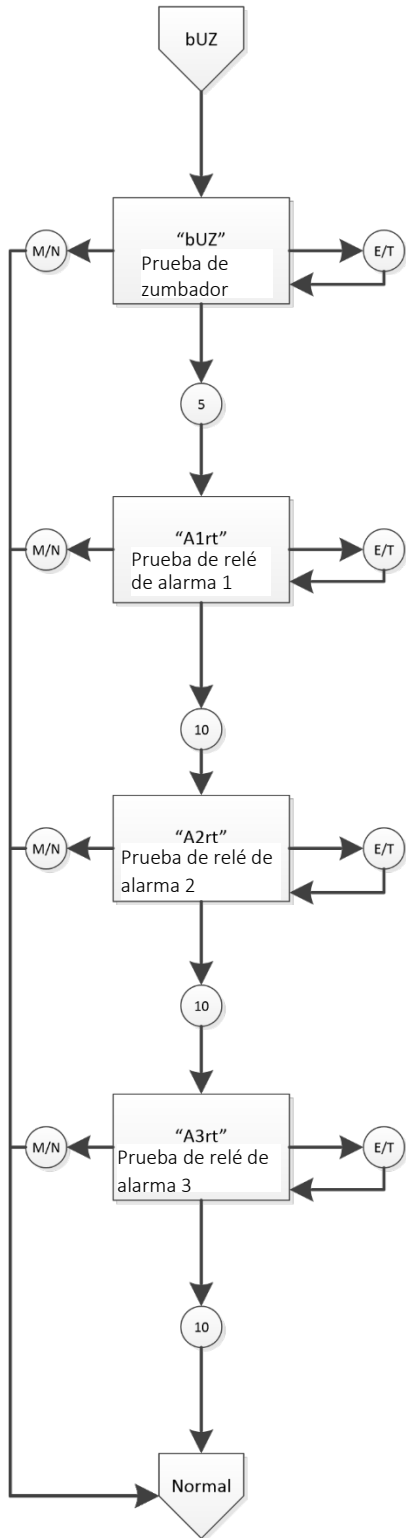
M/N

E/T

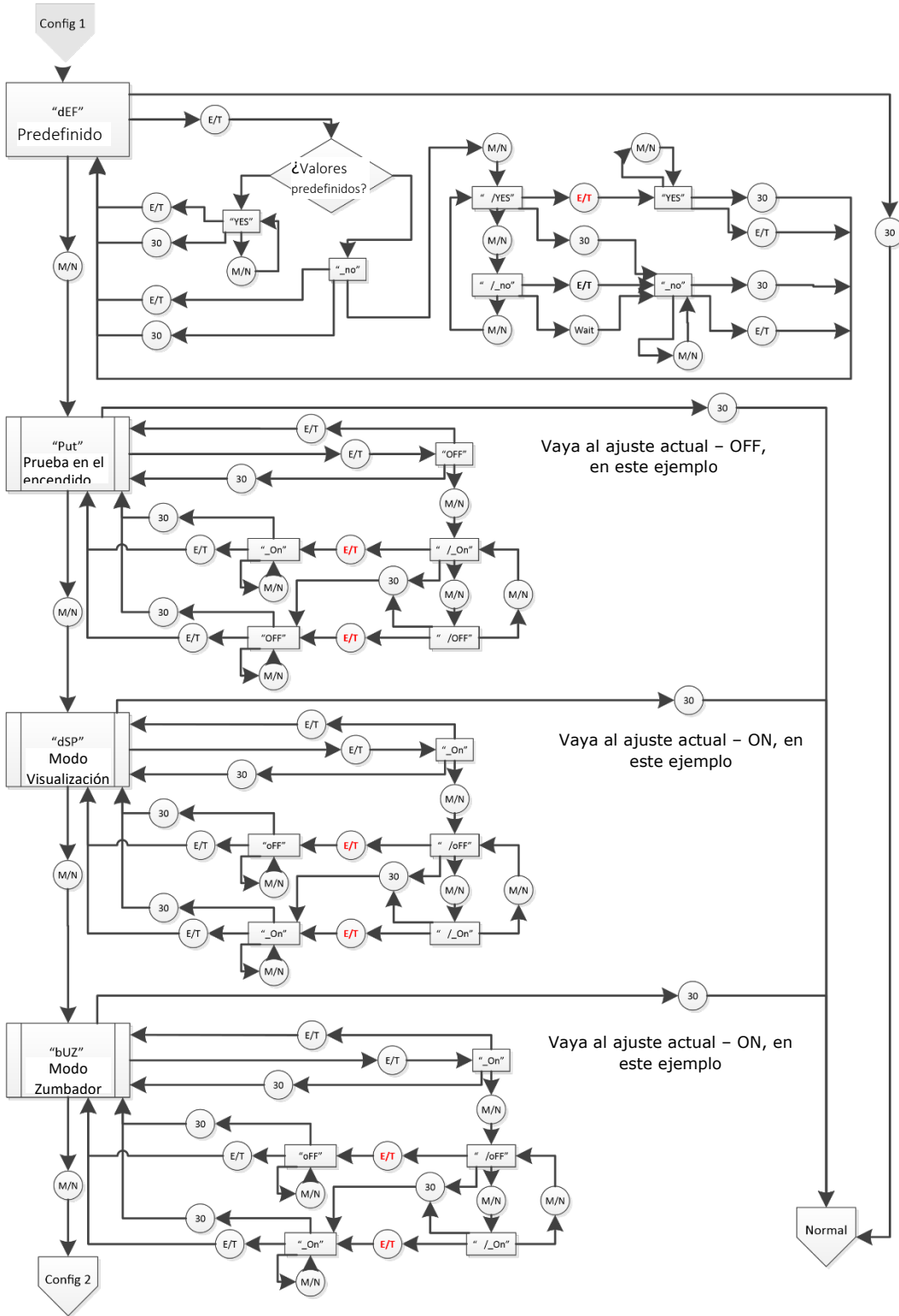
Wait

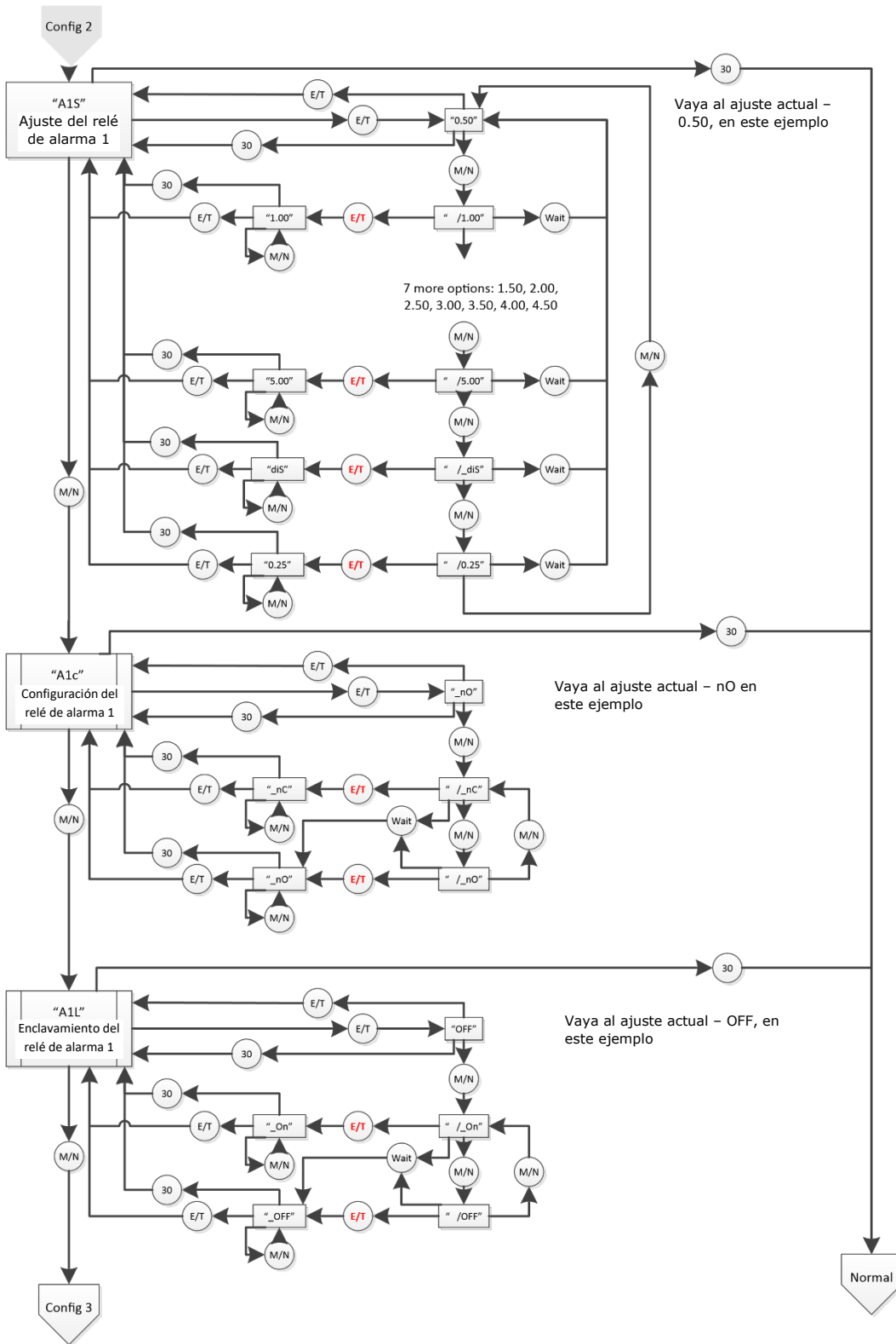
XX

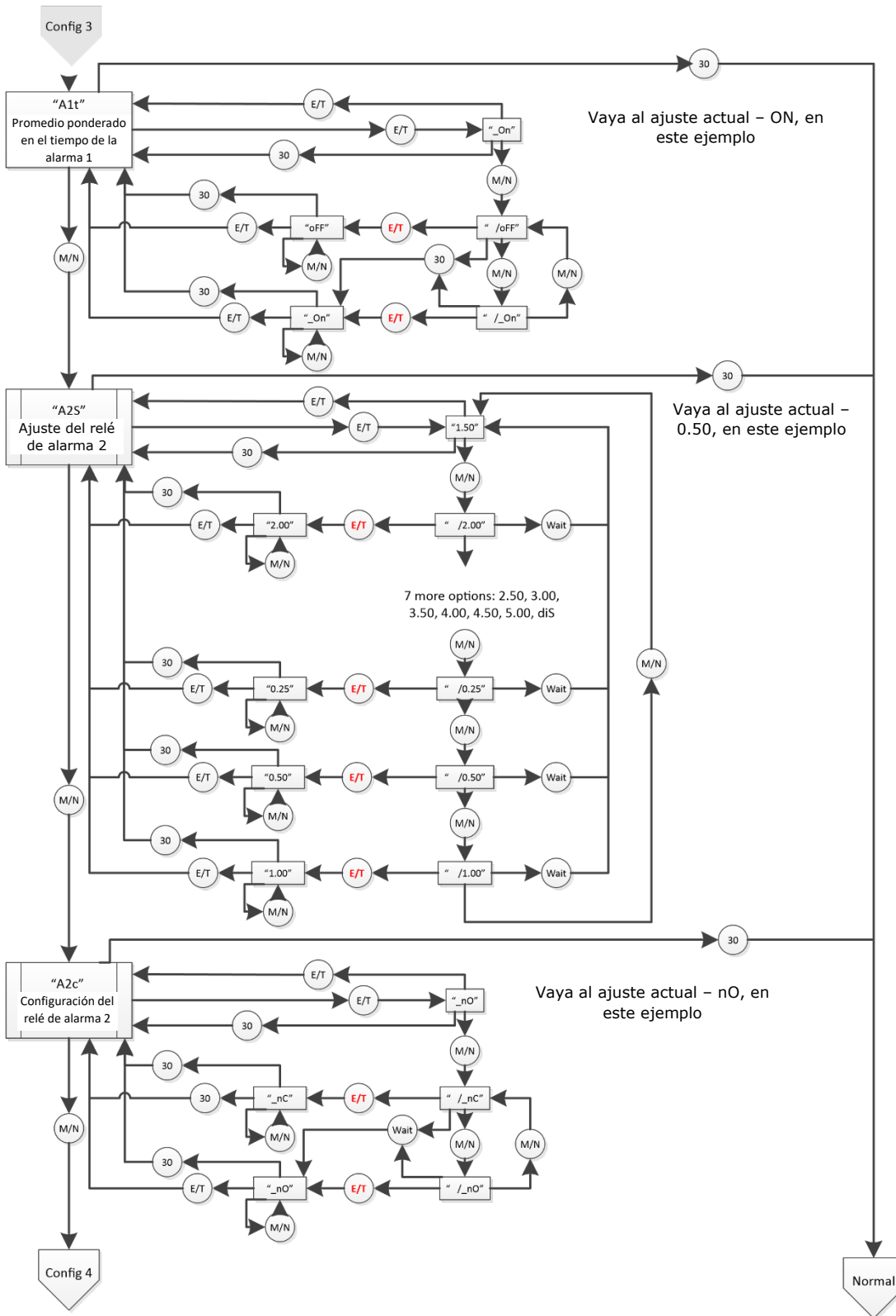
9.2 Menú de prueba automática “bUZ”

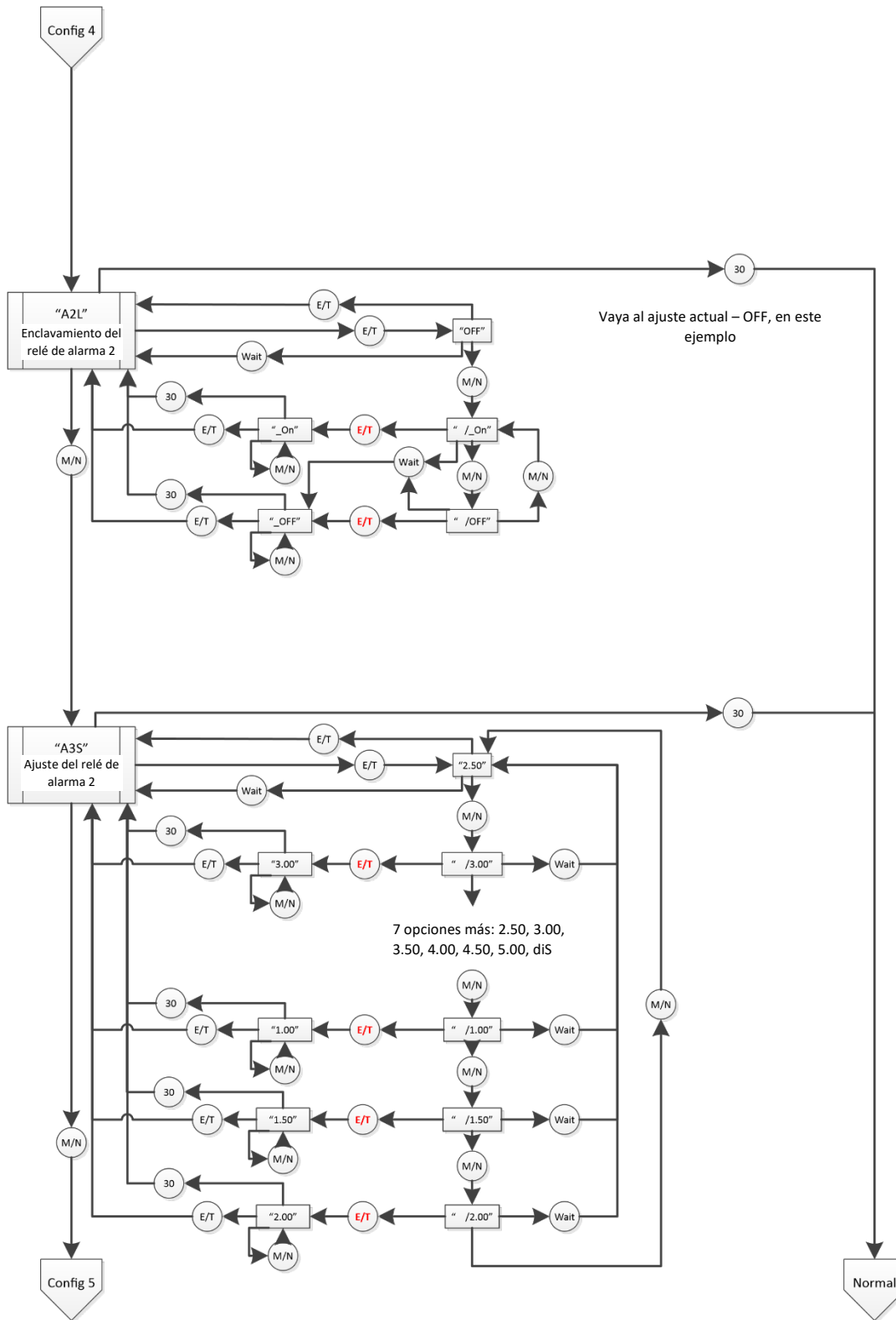


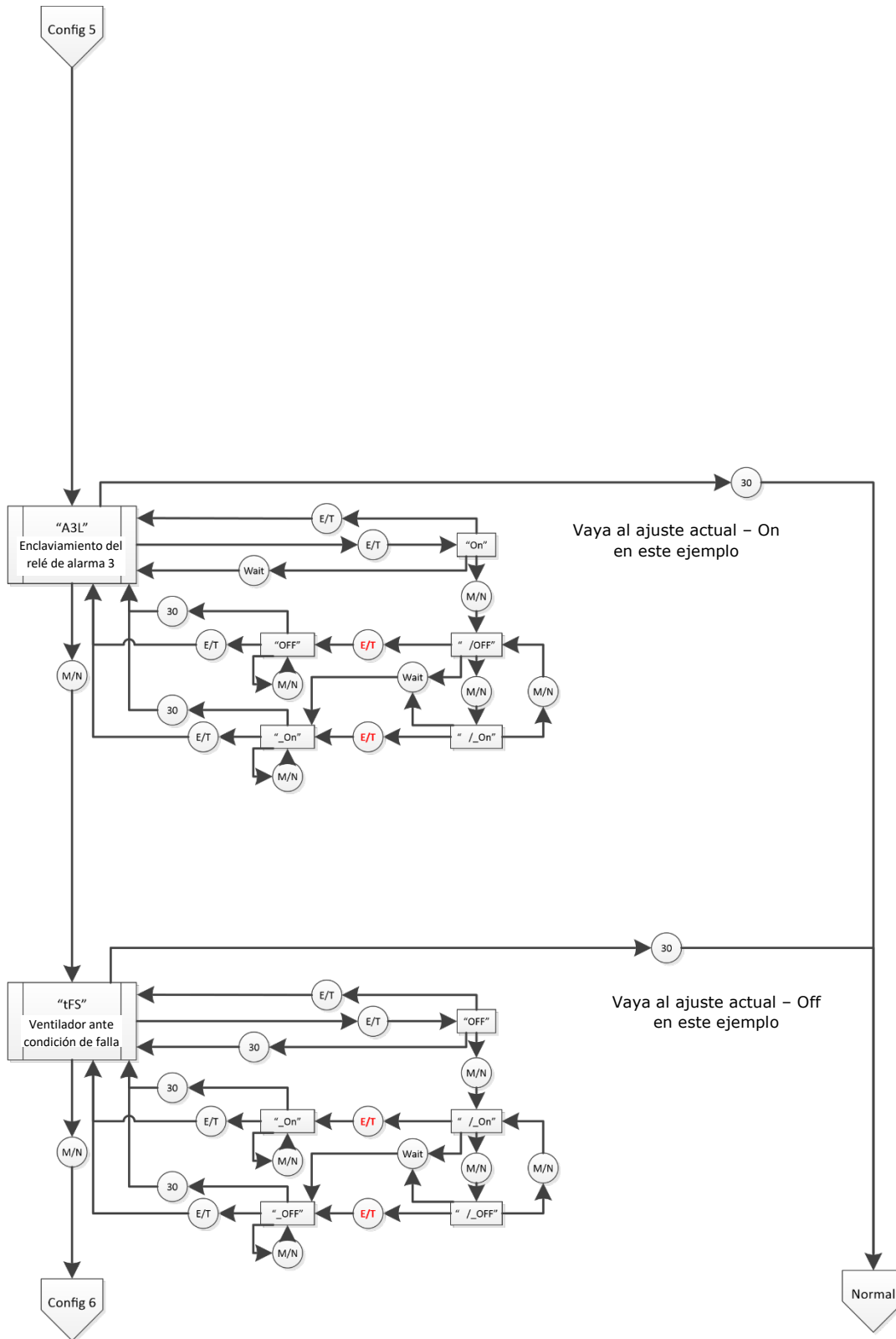
9.3 Menú de configuración "CON"





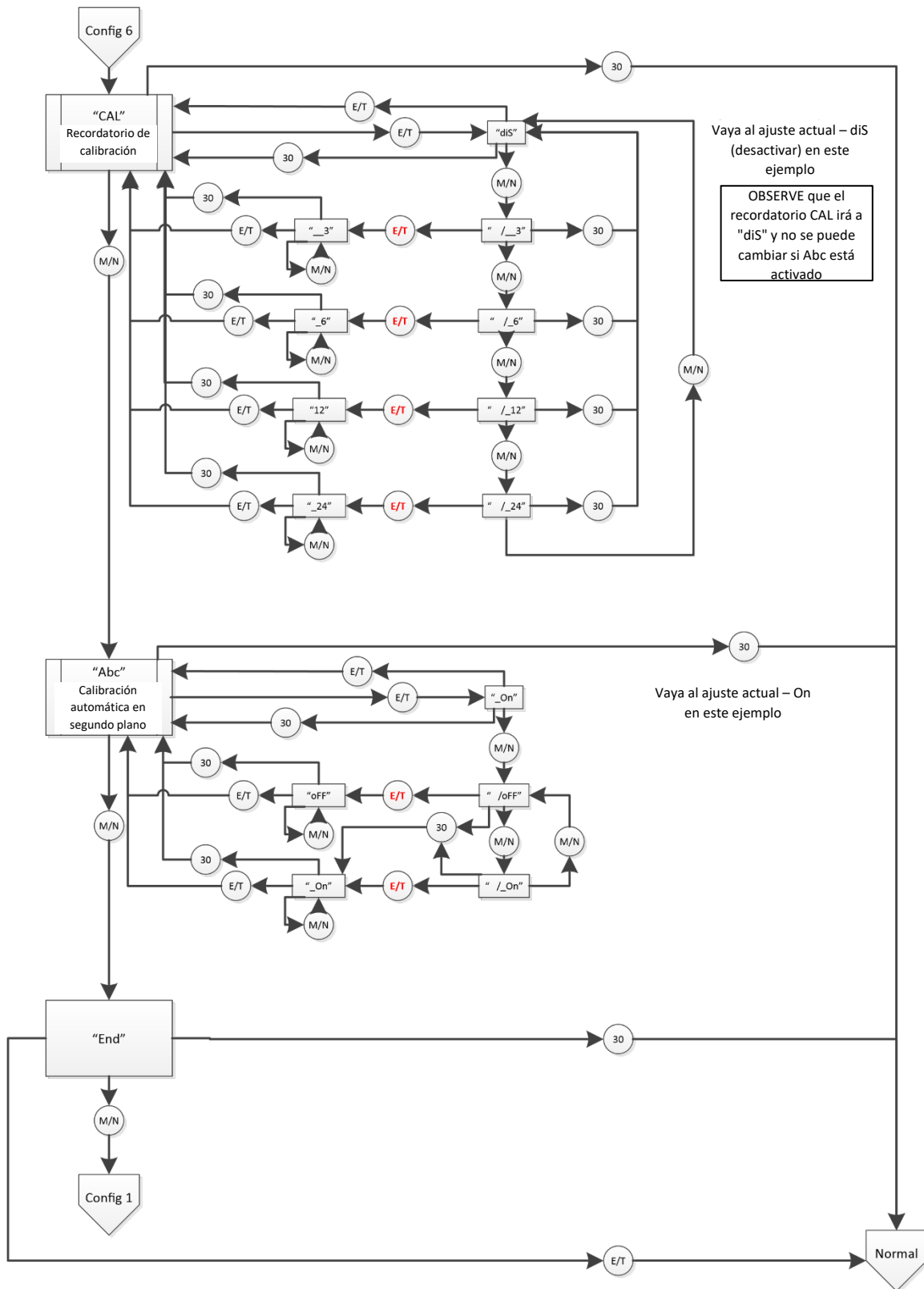




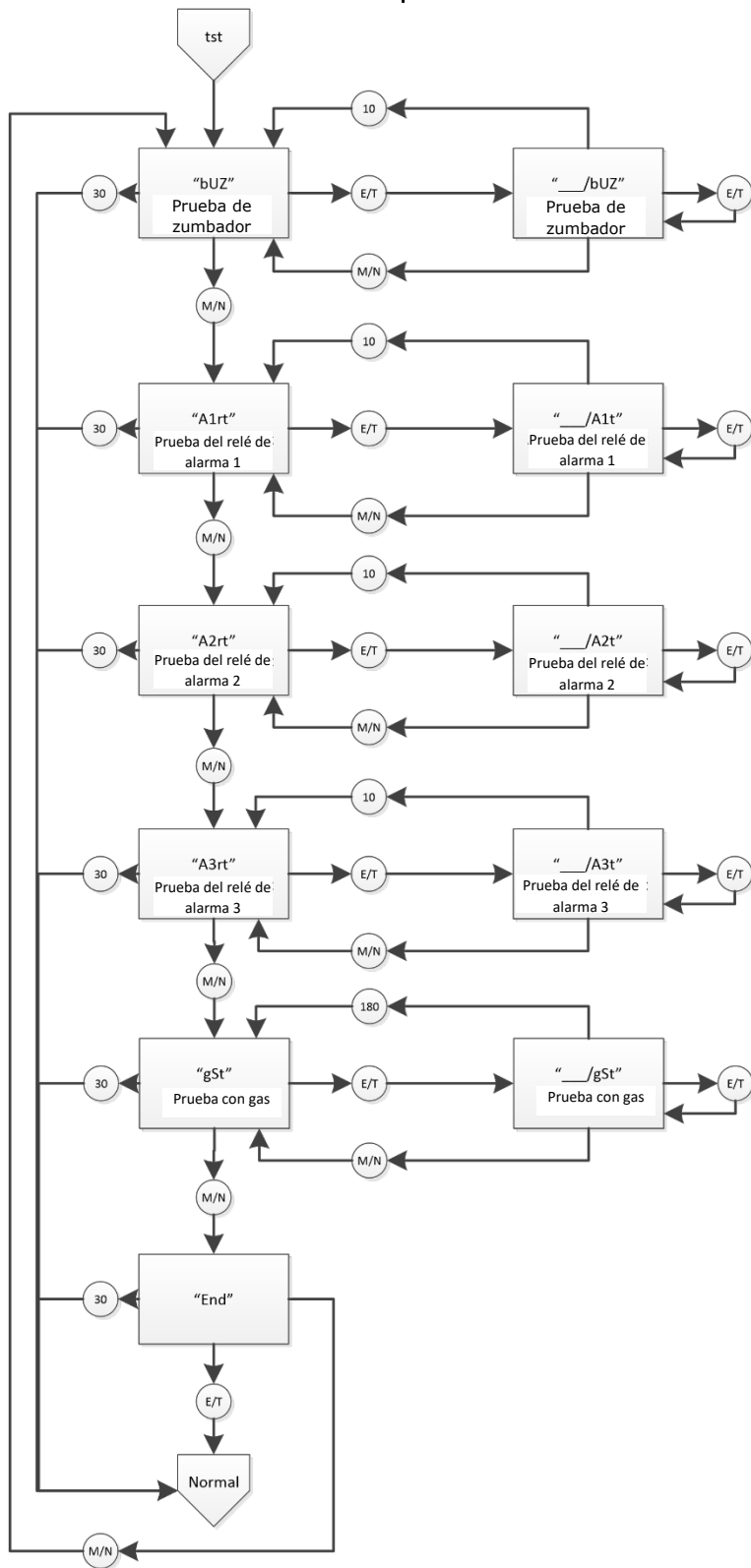


Vaya al ajuste actual - On en este ejemplo

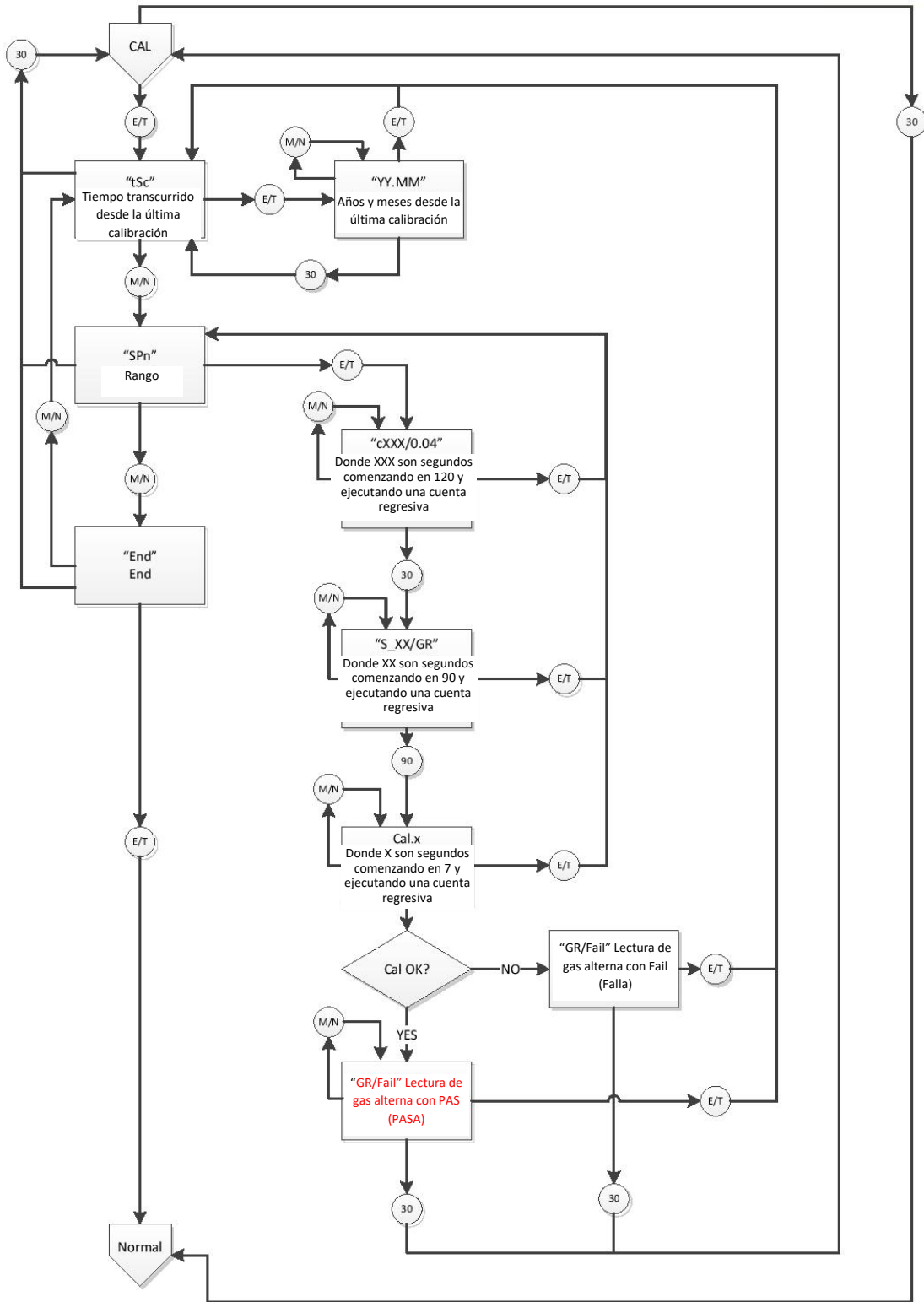
Vaya al ajuste actual - Off en este ejemplo



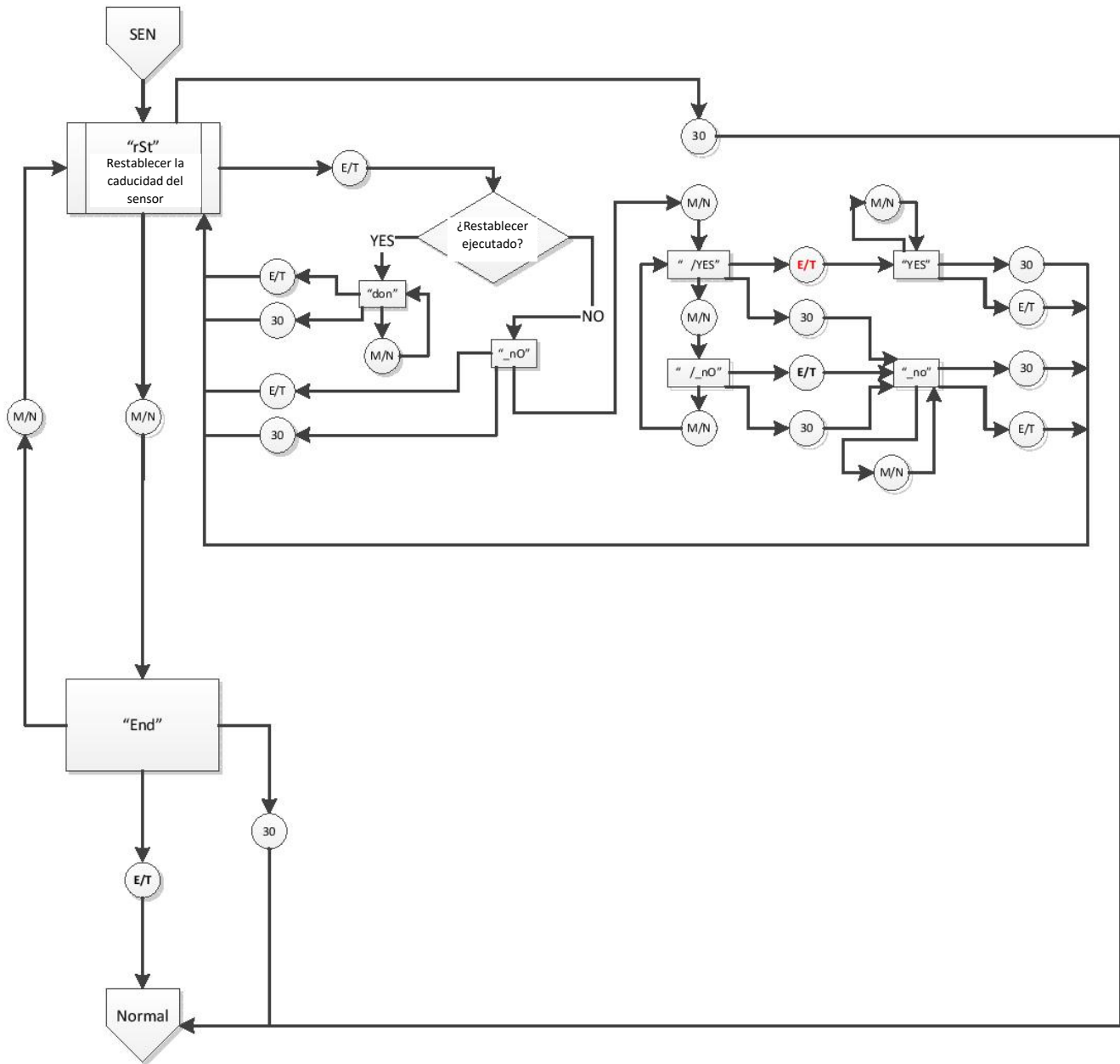
9.4 Selección del menú de prueba "tst"



9.5 Menú de calibración "CAL"



9.6 Menú de restablecimiento del sensor "SEN"



10 Garantía limitada de los productos para detección de gas Macurco

Macurco garantiza que el detector de gas CD-6B estará libre de defectos de material y mano de obra por un período de dos (2) años a partir de la fecha de fabricación (indicada en la cubierta interior del CD-6B), siempre y cuando ha sido mantenido y utilizado de acuerdo con las instrucciones y/o recomendaciones de Macurco. Si algún componente se vuelve defectuoso durante el período de garantía, será reemplazado o reparado de forma gratuita, si la unidad se devuelve de acuerdo con las instrucciones indicadas a continuación. Esta garantía no cubre a las unidades que han sido alteradas o que se intentó reparar, o que han sido objeto de abusos, tanto accidentales como de otros tipos. La garantía anterior reemplaza a todas las demás garantías, obligaciones o responsabilidades expresas. LAS GARANTÍAS IMPLÍCITAS DE COMERCIABILIDAD Y APTITUD PARA UN PROPÓSITO PARTICULAR ESTÁN LIMITADAS A UN PERÍODO DE DOS (2) AÑOS A PARTIR DE LA FECHA DE COMPRA. Macurco no será responsable por daños incidentales o consecuentes por el incumplimiento de esta o cualquier otra garantía, expresa o implícita, que surja o esté relacionada con el uso de dicho detector de gas. La responsabilidad del fabricante o de su agente se limitará al reemplazo o la reparación según lo establecido anteriormente. Los remedios únicos y exclusivos del comprador son la devolución de los productos y el reembolso del precio, o la reparación y el reemplazo de productos o piezas no conformes.

Macurco Gas Detection

3601 N. St. Paul Avenue
Sioux Falls, SD 57104

Información de contacto con el Servicio de Asistencia Técnica

Teléfono: 1-844-325-3050 (en EE.UU.)
Fax: 1-605-951-9616
Correo electrónico: support@macurco.com
Sitio web: www.support.macurco.com

Información de contacto general

Teléfono: 1-877-367-7891 (en EE.UU.)
Fax: 1-605-951-9616 (en EE.UU.)
Correo electrónico: info@macurco.com
Sitio web: www.macurco.com

Rev.: 1.0

Fecha de edición: 25-06-2019

Documento nº: 34-2900-0510-2

© Aerionics 2019. Todos los derechos reservados.

Macurco es una marca comercial de Aerionics, Inc.





Macurco™ CD-6B

Détecteur, régulateur et transducteur de dioxyde de carbone
Manuel d'instructions



IMPORTANT: Conserver les présentes instructions pour un usage ultérieur.


- 1 Informations générales relatives à la sécurité 4
 - 1.1 Liste des avertissements..... 4
- 2 Instructions et limites d'utilisation..... 5
 - 2.1 Types d'utilisation..... 6
 - 2.2 Interdictions d'utilisation 6
 - 2.3 Caractéristiques..... 6
 - 2.4 Caractéristiques techniques 7
- 3 Instructions d'installation et d'utilisation..... 8
 - 3.1 Emplacement..... 8
 - 3.2 Installation 8
 - 3.3 Instructions de câblage..... 12
 - 3.3.1 Raccordement de l'alimentation 12
 - 3.3.2 Branchement du relais avertisseur 1..... 13
 - 3.3.3 Branchement du relais avertisseur 2..... 13
 - 3.3.4 Branchement du relais avertisseur 3..... 13
 - 3.3.5 Réalisation du câblage 13
- 4 Fonctionnement 13
 - 4.1 Mise sous-tension..... 13
 - 4.2 Alarme de sensibilisation..... 14
 - 4.3 Relais avertisseur 1 14
 - 4.4 Relais avertisseur 2 14
 - 4.5 Relais avertisseur 3 14
 - 4.6 Comportement de l'alarme 15
 - 4.6.1 Priorité de l'alarme..... 15
 - 4.6.2 Affichage activé 15
 - 4.6.3 Affichage désactivé..... 16
 - 4.7 Verrouillage du relais..... 16
 - 4.8 Paramètres par défaut / réglages d'usine 16
 - 4.8.1 Sélectionner la configuration Par défaut – « DEF » 17
 - 4.8.2 Sélectionner le réglage Essai sous tension – « PUt » 18
 - 4.8.3 Sélectionner la configuration Affichage – « dSP »..... 18
 - 4.8.4 Sélectionner la configuration Avertisseur sonore – « bUZ »..... 19
 - 4.8.5 Sélectionner le réglage Relais avertisseur 1 – « A1S » 19
 - 4.8.6 Sélectionner la configuration Relais avertisseur 1 – « A1c »..... 19
 - 4.8.7 Sélectionner le verrouillage Relais avertisseur 1 – « A1L » 19
 - 4.8.8 Sélectionner le réglage MTT avertisseur 1 – « A1t » 20
 - 4.8.9 Sélectionner le réglage Relais avertisseur 2 – « A2S » 20
 - 4.8.10 Sélectionner la configuration Relais avertisseur 2 – « A2c »..... 20
 - 4.8.11 Sélectionner le verrouillage Relais avertisseur 2 – « A2L » 21
 - 4.8.12 Sélectionner le réglage Relais avertisseur 3 – « A3S » 21
 - 4.8.13 Sélectionner le verrouillage Relais avertisseur 3 – « A3L » 21
 - 4.8.14 Sélectionner le réglage Ventilateur en cas de défaillance – « tFS »..... 22
 - 4.8.15 Sélectionner Étalonnage automatisé en fond – « Abc » 22
 - 4.8.16 Période d'étalonnage – « CAL »..... 22

- 5 Dépannage..... 23
 - 5.1 Diagnostics embarqués 23
 - 5.1.1 Défaillance 23
 - 5.1.2 Codes d’erreur « t »..... 23
 - 5.2 Empoisonnement du capteur..... 25
 - 5.3 Signal de fin de vie..... 25
- 6 Entretien..... 25
 - 6.1 Étalonnage..... 25
 - 6.2 Réinitialisation de la durée de vie du capteur..... 26
 - 6.3 Nettoyage 26
- 7 Essais..... 26
 - 7.1 Essais..... 27
 - 7.1.1 Test de fonctionnement 27
 - 7.1.2 Test de fonctionnement manuel 27
 - 7.2 Kit de calibrage 28
 - 7.3 Test au gaz 29
 - 7.3.1 Test des relais avertisseur 29
 - 7.3.2 Test avec un aérosol 30
 - 7.4 Étalonnage sur site 30
 - 7.4.1 Procédure d’étalonnage sur site 30
 - 7.4.2 Temps écoulé depuis dernier étalonnage 31
- 8 Annexe A – Tableau des figures 32
- 9 Annexe B – Structure du menu 33
 - 9.1 Menu principal..... 33
 - 9.2 Menu d’autotest « bUZ » 34
 - 9.3 Menu de configuration « CON »..... 35
 - 9.4 Menu de sélection de test « tst »..... 41
 - 9.5 Menu étalonnage « CAL » 42
 - 9.6 Menu réinitialisation du capteur « SEN »..... 43
- 10 Garantie limitée des détecteurs de gaz Macurco..... 44
 - Coordonnées du service technique 44
 - Coordonnées 44

1 Informations générales relatives à la sécurité

Les instructions suivantes ont été rédigées pour guider l'opérateur dans son utilisation du détecteur de dioxyde de carbone Macurco CD-6B. Les informations contenues dans ce manuel ne sont pas exhaustives et ne doivent pas remplacer la réglementation et les procédures établies sur site. En cas de doute concernant l'utilisation de l'équipement dans une situation spécifique, contacter un hygiéniste industriel ou le service technique au numéro suivant: (+1)-844-325-3050

1.1 Liste des avertissements

 AVERTISSEMENT
Toute personne souhaitant utiliser cet équipement doit au préalable lire et comprendre les informations contenues dans ce manuel. Le non-respect des instructions ou l'utilisation de cet équipement par des personnes non qualifiées ou non formées peut nuire aux performances de l'appareil.
Cet équipement ne doit être utilisé qu'aux fins auxquelles il a été conçu, à savoir la détection et la surveillance d'un gaz. Toute autre utilisation inappropriée peut entraîner une exposition à des gaz indétectables susceptibles d'entraîner des blessures graves, voire mortelles. Pour être certain d'utiliser l'équipement de manière appropriée, consulter un responsable ou le manuel d'instructions. Il est également possible de contacter le service technique au numéro suivant: (+1)-844-325-3050
Cet équipement n'a pas été conçu pour fonctionner à des températures inférieures à 0 °C et supérieures à 50 °C (T < 32 °F et T > 122 °F). Toute utilisation du détecteur en dehors de la plage de températures autorisée (entre 0 °C et 50 °C) peut nuire aux performances de l'appareil.
Ce détecteur participe à la détection et la surveillance du niveau de concentration d'un gaz spécifique dans l'air. Une utilisation inappropriée de l'appareil peut produire des résultats erronés. Cela signifie que si les niveaux de concentration réels sont supérieurs à ceux détectés par l'équipement, l'utilisateur s'expose à des risques pour la santé pouvant procurer des blessures graves, voire mortelles. Pour être certain d'utiliser l'équipement de manière appropriée, consulter un responsable ou le manuel d'instructions. Il est également possible de contacter le service technique au numéro suivant: (+1)-844-325-3050
Ne pas démonter l'équipement ou tenter de réparer ou modifier l'un des composants. Cet appareil ne contient aucune pièce pouvant être changée par l'utilisateur. Le remplacement d'un composant peut considérablement réduire les performances de l'équipement.
L'utilisation d'un gaz d'étalonnage certifié ayant une concentration différente de celle prévue pour le détecteur produira des résultats erronés lors d'un étalonnage ou d'un test de fiabilité du gaz d'étalonnage. Cela signifie que si les niveaux de concentration réels sont supérieurs à ceux détectés par l'équipement, l'utilisateur s'expose à une concentration de gaz potentiellement dangereuse. Pour être certain d'utiliser l'équipement de manière appropriée, consulter un responsable ou le manuel d'instructions. Il est également possible de contacter le service technique au numéro suivant: (+1)-844-325-3050
Les étapes suivantes doivent être réalisées lors d'un étalonnage ou d'un test de fiabilité de gaz d'étalonnage pour assurer le bon fonctionnement de l'équipement de surveillance. Le non-respect des consignes peut nuire aux performances de l'équipement. <ul style="list-style-type: none"> • Lors étalonnage ou d'un test de fiabilité d'étalonnage, il est important que seul le gaz d'étalonnage certifié avec un niveau de concentration approprié soit utilisé. • Ne pas tenter d'utiliser un gaz d'étalonnage expiré. • Ne pas recouvrir, ou obstruer la visibilité de l'affichage ou de l'avertisseur visuel du

boîtier.

- S'assurer que les orifices d'entrée du capteur ne sont pas obstrués et ne contiennent pas de débris.

Le non-respect des instructions précisées dans le présent manuel peut causer un empoisonnement grave, voire mortel.

2 Instructions et limites d'utilisation

Le Macurco CD-6B est un régulateur, transducteur et détecteur de dioxyde de carbone (CO₂) à trois relais, disponible en version basse tension.

Le Macurco CD-6B dispose de trois relais avertisseur à contacts secs sélectionnables, un avertisseur sonore et un dispositif d'affichage numérique.

Le CD-6B est détecteur de niveaux de concentration faibles capable d'afficher des valeurs comprises entre 0 à 5,0 % vol de CO₂ (on parle ici de **pourcentage volumique**) avec une précision de l'ordre de 0,01 %.

Le CD-6B a été étalonné en usine et inspecté pour fonctionner de manière appropriée.

Le CD-6B comporte une option d'étalonnage automatisé en fond (Abc) pour ajuster régulièrement la proportion d'air propre.

Si l'option d'étalonnage automatisé n'est pas utilisée, il est nécessaire d'effectuer l'étalonnage manuel du CD-6B au moins une fois par an à l'aide du kit d'étalonnage Macurco CD6B-FCK.

Le dioxyde de carbone (CO₂) est un gaz incolore et inodore provenant de différentes sources: l'humain en gène lorsqu'il souffle et la combustion d'essence, de charbon, de pétrole et de bois en produit également. En extérieur, la concentration en dioxyde de carbone peut varier entre 350 et 450 ppm, voire plus dans les zones où le trafic routier et/ou les activités industrielles sont importants. Dans un environnement clos, la concentration en CO₂ dépend du nombre de personnes présent, de la durée d'occupation de l'espace concerné ou encore du volume d'air pur qui entre dans ce dernier. Les concentrations en CO₂ en intérieur peuvent atteindre plusieurs centaines de ppm dans les espaces occupés par de nombreuses personnes, sur une durée relativement longue, et avec un renouvellement d'air limité. Ventiler une pièce avec de l'air « pur » provenant de l'extérieur est important pour diluer les niveaux de concentration en CO₂ de l'environnement clos. La quantité d'air pur qui alimente une pièce spécifique dépend fortement du type d'établissement et de l'espace concerné. La ventilation devrait maintenir les concentrations de dioxyde de carbone en dessous de 1000 ppm et créer des conditions de qualité de l'air en intérieur qui sont acceptables pour la plupart des individus.

AVERTISSEMENT

Toute personne souhaitant utiliser cet équipement doit au préalable lire et comprendre les informations contenues dans ce manuel. Le non-respect des instructions ou l'utilisation de cet équipement par des personnes non qualifiées ou non formées peut nuire aux performances de l'appareil.

2.1 Types d'utilisation

Le CD-6B permet de détecter les concentrations de CO₂ et de réguler automatiquement la ventilation des bâtiments dans les endroits non dangereux où sont stockés, au maximum, 45,3 kg (100 lb) de CO₂, tels que les bars, les restaurants et les brasseries.

Le relais avertisseur 1 et le relais de sensibilisation sont destinés à avertir les utilisateurs proches en cas de concentrations de CO₂ élevées. Les relais avertisseurs 2 et 3 sont destinés à déclencher des fonctions d'alarme à distance pour avertir les individus présents dans le bâtiment en cas de concentrations en CO₂ élevées. Le CD-6B n'est pas compatible avec les panneaux de commande DVP Macurco. Les trois (3) relais à contact sec peuvent être raccordés à un panneau incendie ou de sécurité.

AVERTISSEMENT

Cet équipement ne doit être utilisé qu'aux fins auxquelles il a été conçu, à savoir la détection et la surveillance d'un gaz. Toute autre utilisation inappropriée peut entraîner une exposition à des gaz indétectables susceptibles d'entraîner des blessures graves, voire mortelles. Pour être certain d'utiliser l'équipement de manière appropriée, consulter un responsable ou le manuel d'instructions. Il est également possible de contacter le service technique au numéro suivant: (+1)-844-325-3050

2.2 Interdictions d'utilisation

Le CD-6B n'a pas été conçu pour être utilisé dans des environnements à risques ou relatifs à des applications industrielles (raffineries, usines chimiques, etc). Ne pas installer le CD-6B dans un environnement où la température ambiante est inférieure à 0 °C ou supérieure à 50 °C (T < 32 °F ou T > 121 °F). Le CD-6B s'installe sur un coffret électrique de 10 cm carrés (type 4S) fourni par le prestataire. Ne pas installer le CD-6B à l'intérieur d'un autre boîtier, à moins que la circulation de l'air ne soit correcte.

AVERTISSEMENT

Cet équipement n'a pas été conçu pour fonctionner à des températures inférieures à 0 °C et supérieures à 50 °C (T < 32 °F et T > 122 °F). Toute utilisation du détecteur en dehors de la plage de températures autorisée (entre 0 °C et 50 °C) peut nuire aux performances de l'appareil.

2.3 Caractéristiques


- Certifié ETL, conforme à UL 61010-1, certifié CSA C22.2#61010-1
- Le détecteur de niveaux de concentration faibles est capable d'afficher des valeurs comprises entre 0 à 5,0 % vol de CO₂ avec une précision de l'ordre de 0,01 %.
- Trois relais avertisseur à contact sec pour commander les systèmes de ventilation et interagir avec le système d'alarme.
- Doit être installé sur un coffret électrique standard 4x4 qui sert de capot.
- Système surveillé: toute anomalie interne relative au détecteur déclenche l'avertisseur sonore.
- Capteur de dioxyde de carbone doté d'une durée de vie moyenne de 15 ans. Signes de fin de vie du capteur après 180 mois de mise sous-tension.
- Option d'étalonnage automatisé pour ajuster régulièrement la proportion d'air propre.
- Calibrage manuel si l'option d'étalonnage automatisé en fond est désactivée
- Vis d'accès pour le test et l'étalonnage. Kit d'étalonnage et kit de test de gaz d'étalonnage disponibles.

2.4 Caractéristiques techniques

- Poids de livraison: 0,45 kg (1 lb)
- Dimensions: 11,4 x 10,2 x 5,4 cm (4 1/2 x 4 x 2 1/8 po)
- Couleur: Blanc ou gris foncé
- Raccords: fiches/bornes
- Support d'installation (non fourni): coffret électrique 4x4
- Relais avertisseur 1: Interrupteur unipolaire unidirectionnel pour charge de 2,0 A, jusqu'à 240 V CA ou 30 V CC.
- Configuration du relais avertisseur paramétrable: Normalement Ouvert (N.O. par défaut) ou Normalement Fermé (N.F.)
- Réglages du niveau d'alarme du relais avertisseur: « diS »/0,25/0,50 (par défaut)/1,00/1,50/2,00/2,50/3,00/3,50/4,00/4,50/5,00
- Verrouillage du relais avertisseur 1: désactivé (activé)
- Option de moyenne pondérée dans le temps (8 heures) du relais avertisseur 1: Marche (Arrêt)
- Défaillance du relais avertisseur 1: activé (désactivé)
- Relais avertisseur 2: Interrupteur unipolaire unidirectionnel pour charge de 2,0 A, jusqu'à 240 V CA ou 30 V CC.
- Configuration du relais avertisseur 2 paramétrable: Normalement Ouvert (N.O. par défaut) ou Normalement Fermé (N.F.)
- Réglages du niveau d'alarme du relais avertisseur 2: « diS »/0,25/0,50/1,00/1,50 (par défaut)/2,00/2,50/3,00/3,50/4,00/4,50/5,00
- Verrouillage du relais avertisseur 2: désactivé (activé)
- Relais avertisseur 3: Interrupteur unipolaire bidirectionnel pour charge de 2,0 A, jusqu'à 240 V CA ou 30 V CC.
- La configuration du relais avertisseur 3 peut être câblée sur N.O. ou N.F.
- Réglages du niveau d'alarme du relais avertisseur 3: « diS »/0,25/0,50/1,00/1,50/2,00/2,50/3,00 (par défaut)/3,50/4,00/4,50/5,00
- Verrouillage du relais avertisseur 3: activé (désactivé)
- Avertisseur sonore: 85 dBA à une distance de 10 cm, peut être activé (par défaut) ou désactivé
- Affichage numérique: Afficheur DEL à quatre chiffres, peut être activé (par défaut) ou désactivé
- Milieu de fonctionnement: Plage de température: 0 °C à 50 °C (32 °F à 121 °F), Plage d'humidité relative: 0 – 85 % de HR sans condensation, Plage de pression: 1 ATM ± 20 %
- Milieu de stockage: Plage de température: -18 °C à 52 °C (0 °F à 125 °F), Plage d'humidité relative: 0 – 99 % de HR sans condensation
- Alimentation: 3 W (maximum), de 12 à 24 VCA ou de 12 à 32 VCC
- Intensité max @ 24 VCC: 50 mA (avertisseur, trois relais), 40 mA (avertisseur, deux relais), 30 mA (relais uniquement) et 25 mA (en veille)




3 Instructions d'installation et d'utilisation

 AVERTISSEMENT
Ce détecteur participe à la détection et la surveillance du niveau de concentration d'un gaz spécifique dans l'air. Une utilisation inappropriée de l'appareil peut produire des résultats erronés. Cela signifie que si les niveaux de concentration réels sont supérieurs à ceux détectés par l'équipement, l'utilisateur s'expose à des risques pour la santé pouvant procurer des blessures graves, voire mortelles. Pour être certain d'utiliser l'équipement de manière appropriée, consulter un responsable ou le manuel d'instructions. Il est également possible de contacter le service technique au numéro suivant: (+1)-844-325-3050

3.1 Emplacement

La hauteur d'installation dépend de l'application. Pour les applications qui impliquent l'utilisation de réservoirs de CO₂, l'installation doit être effectuée à environ 30 cm (1 pi) du sol. Pour installer, à hauteur de la tête, un détecteur de qualité de l'air en intérieur, l'équipement doit être fixé sur un mur ou une colonne à environ 150 cm (5 pi) du sol et au centre de la pièce/de l'espace pour obtenir des résultats plus représentatifs. L'équipement peut, de manière générale, couvrir 465 mètres carrés (5 000 pieds carrés). La couverture dépend de la circulation de l'air dans la pièce ou l'établissement. Il peut être nécessaire d'ajouter des détecteurs dans les zones de travail dans celles où la circulation de l'air est insuffisante. Le CD-6B s'installe dans un coffret électrique 4x4, fourni par le prestataire. Ne pas installer le CD-6B à l'intérieur d'un autre boîtier, à moins que la circulation de l'air ne soit correcte. Ne PAS installer le CD-6B dans un environnement où la température ambiante est inférieure à 0 °C ou supérieure à 50 °C (T < 32 °F ou T > 121 °F).

 AVERTISSEMENT
Ce détecteur contient des bornes haute tension (120/240 VCA) qui peuvent se révéler dangereuses pour les techniciens. Seuls les techniciens qualifiés sont autorisés à ouvrir le boîtier du détecteur et à manipuler les composants du circuit interne. S'assurer que les relais du détecteur ne sont plus sous-tension avant d'effectuer l'entretien de l'équipement. Le non-respect de cette consigne peut entraîner une électrocution.

3.2 Installation

1. Le CD-6B se monte dans un boîtier électrique de dimensions 4 po² (ou 4x4) fourni par l'entrepreneur. Ne pas installer le CD-6B à l'intérieur d'un autre boîtier, à moins que la circulation de l'air soit correcte.
2. Raccorder le CD-6B uniquement à une alimentation électrique de classe 2. Il est recommandé d'utiliser un transformateur séparé pour alimenter le ou les équipements en raison des possibles interférences produites par les autres appareils raccordés sur la même alimentation électrique.
3. Raccorder le CD-6B aux fiches des bornes avec les câbles de commande. Avant de réaliser le raccordement, s'assurer que l'alimentation n'est pas sous-tension.

4. L'alimentation comporte deux bornes: 12-24 VCA ou 12-32 VCC, sans préférence de polarité.
5. Les contacts secs des relais avertisseur présentent deux bornes. Les relais avertisseur peuvent être paramétrés jusqu'à 2,0 A et 240 VCA ou 30 VCC. Les relais avertisseur sont activés si la concentration en gaz atteint ou dépasse la valeur définie lors du paramétrage de l'avertisseur. Consulter la section [4.5 Paramètres par défaut / réglages d'usine](#) des instructions d'utilisation pour obtenir plus d'informations sur les réglages des relais.
6. Les relais avertisseur 1 et 2 peuvent être **paramétrés** de deux façons: Normalement Ouvert (N.O.) (par défaut) ou Normalement Fermé (N.F.). Le relais avertisseur 3 peut être **câblé** sur N.O. ou N.F.
7. Les relais s'enclencheront si la concentration en gaz dépasse la valeur de consigne de l'avertisseur. Remarque: si la valeur de consigne du relais avertisseur est réglée sur « diS », le relais avertisseur ne s'enclenche pas du tout.
8. Les relais avertisseur peuvent être à verrouillage ou non. Lorsque le verrouillage est réglé sur « On » et que la concentration de gaz dépasse la consigne du relais, l'alimentation doit être interrompue ou le bouton « TEST » doit être enfoncé pour déverrouiller (désactiver) l'état du relais. Une fois la concentration en gaz redescendue en dessous de la valeur de consigne de l'avertisseur, le relais est désactivé si le verrouillage paramétré sur « OFF ».
9. Le relais avertisseur 1 s'enclenche lorsqu'une défaillance survient (si l'option de réglage du ventilateur en cas de défaut est paramétrée sur « On ») et se désenclenche une fois que la défaillance est résolue.

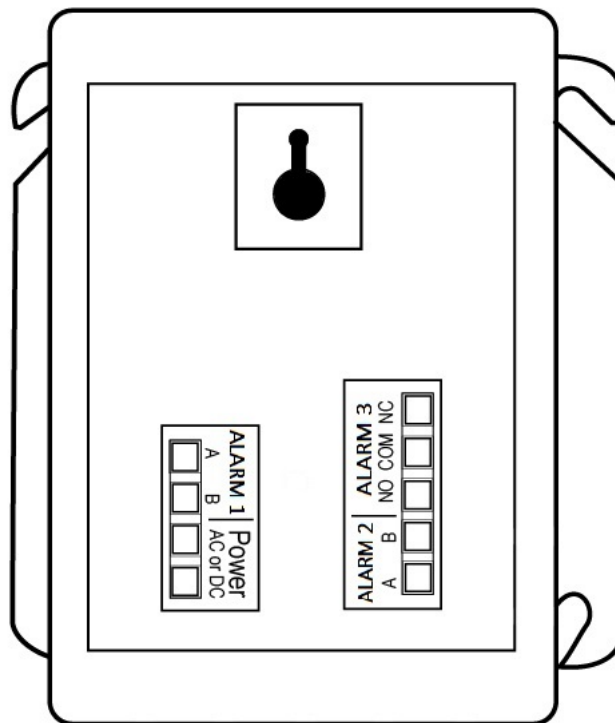


Figure 3-2: Vue arrière du CD-6B

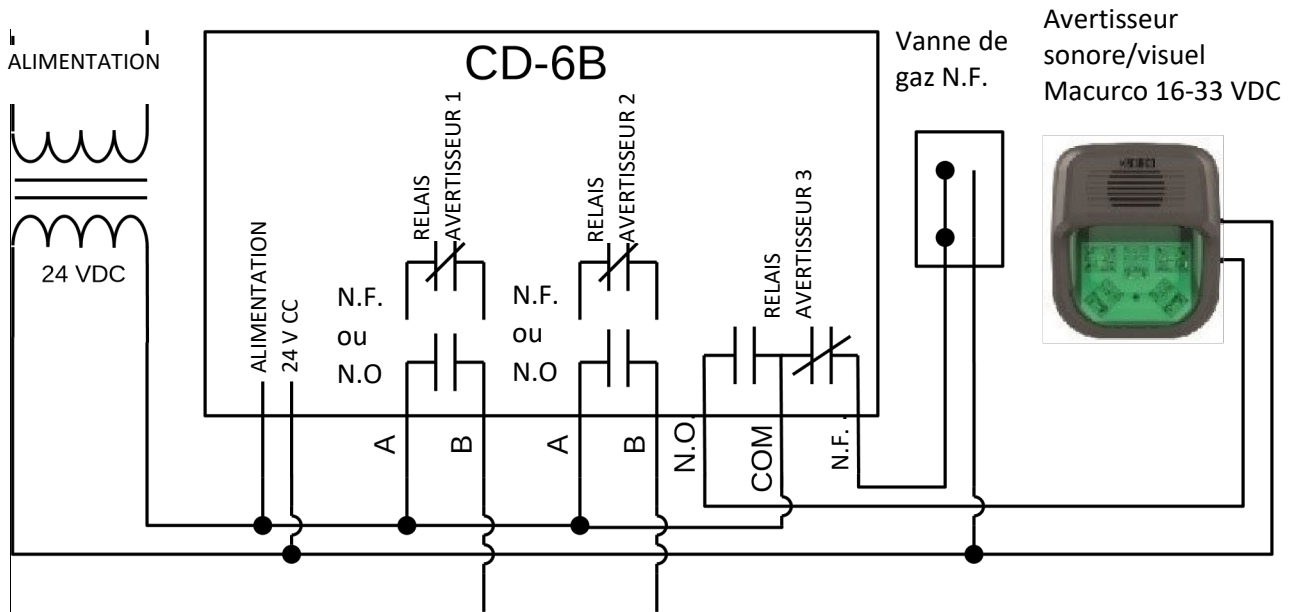


Figure 3-3: Schéma électrique du CD-6B dans le cadre d'une installation typique

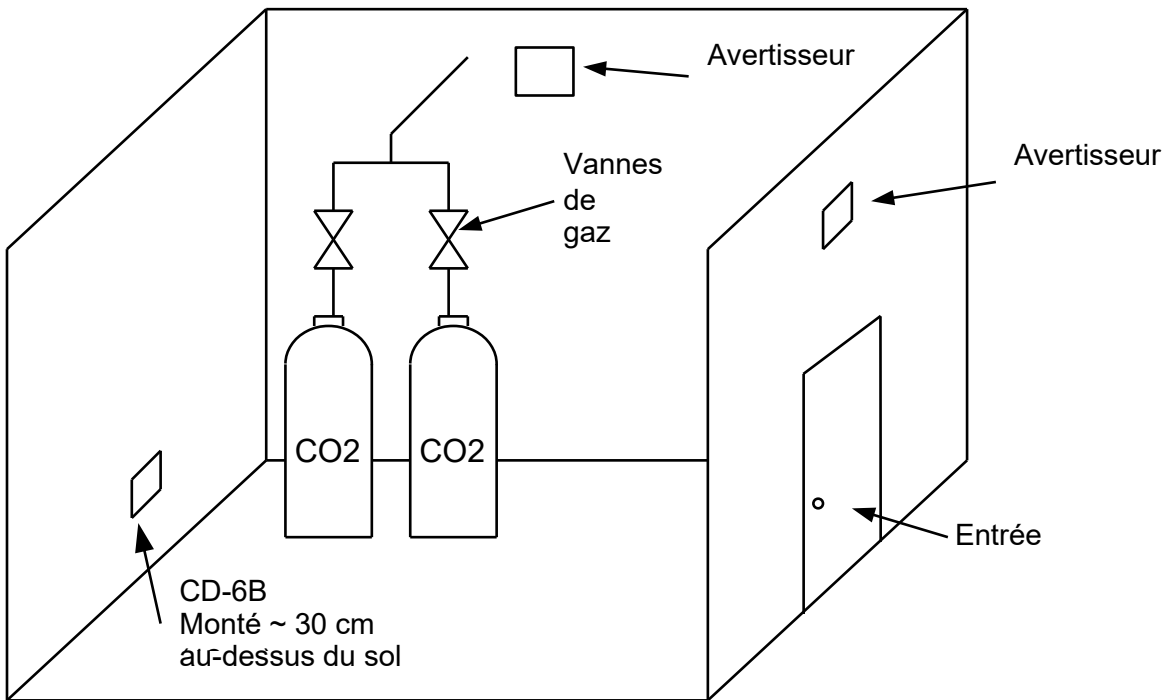


Figure 3-4: Disposition d'installation typique d'un CD-6B

REMARQUE: Le détecteur doit être monté aussi près que possible de la source de fuite principale. Si les réservoirs sont à l'intérieur, le détecteur doit généralement être placé comme indiqué ci-dessus. Si les réservoirs sont à l'extérieur, le détecteur doit généralement être placé aux points de raccordement du conduit.

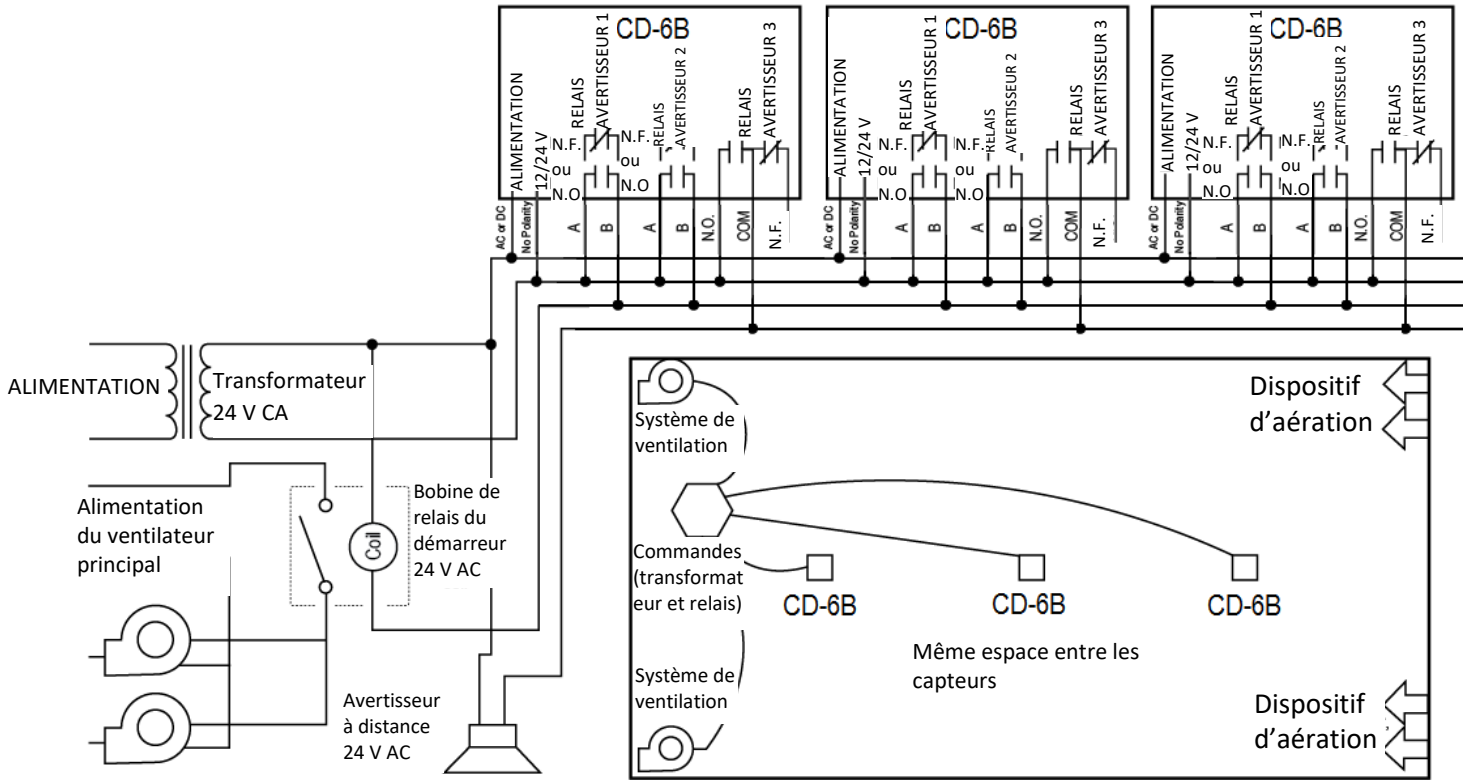


Figure 3-5: Schéma de circuit avec plusieurs appareils (CD-6B)

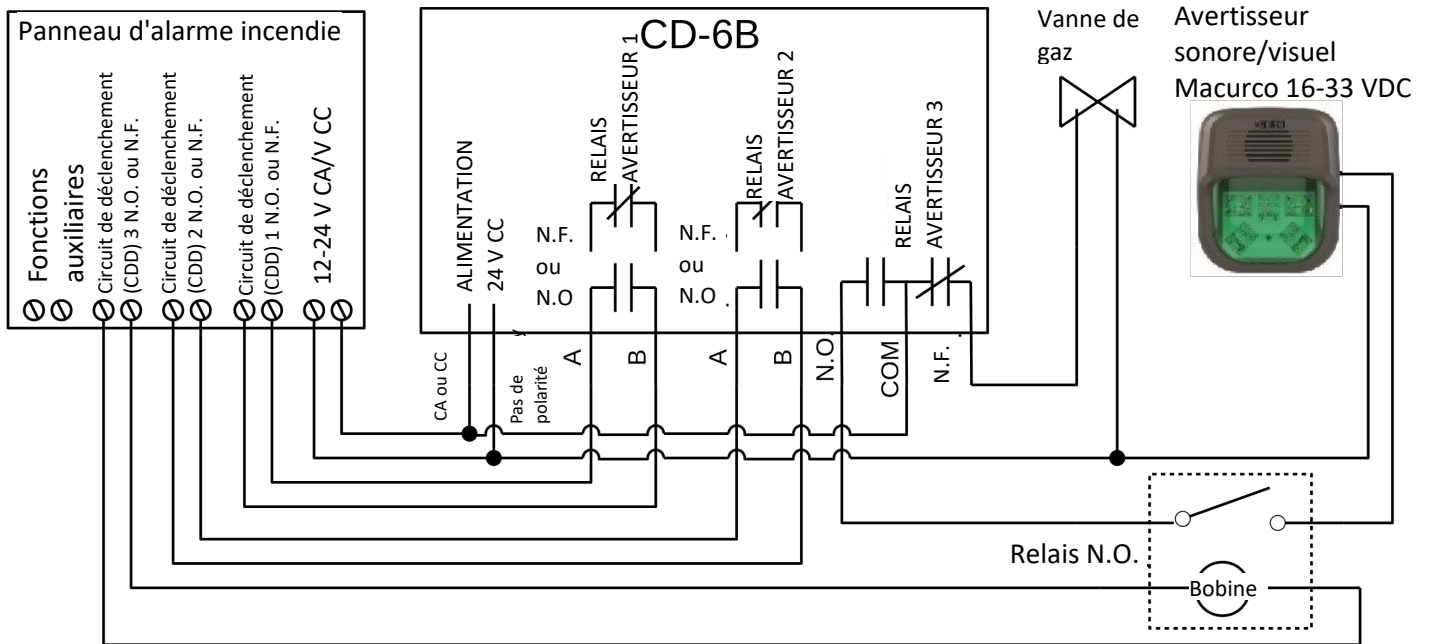


Figure 3-6: Schéma du panneau de commande de l'avertisseur (CD-6B)

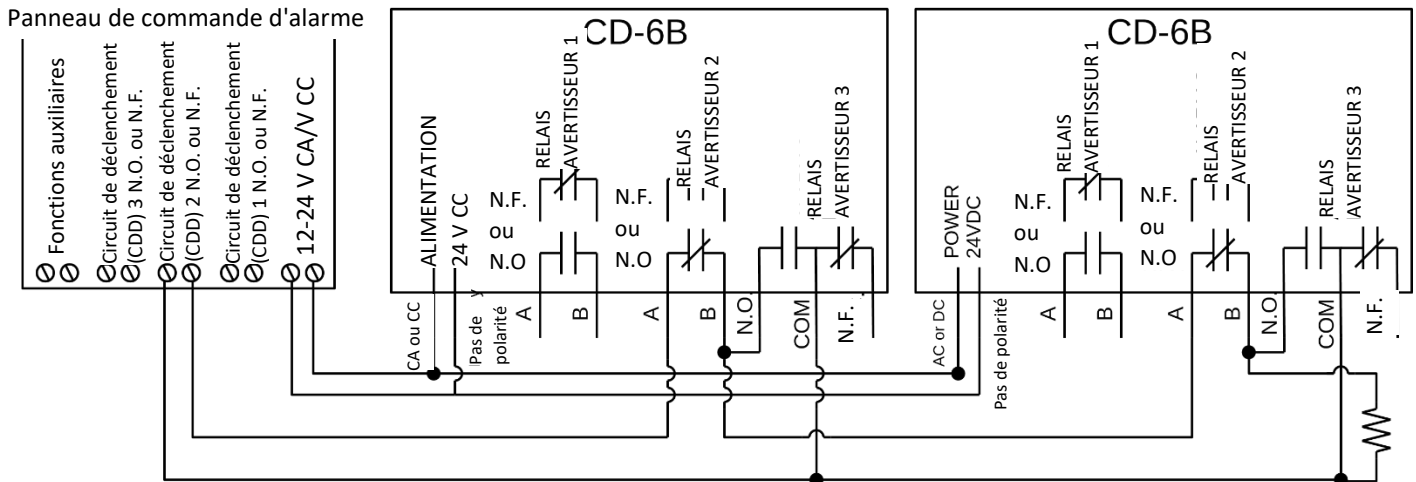


Figure 3-7: Schéma du panneau de commande de l'avertisseur alternatif (CD-6B)

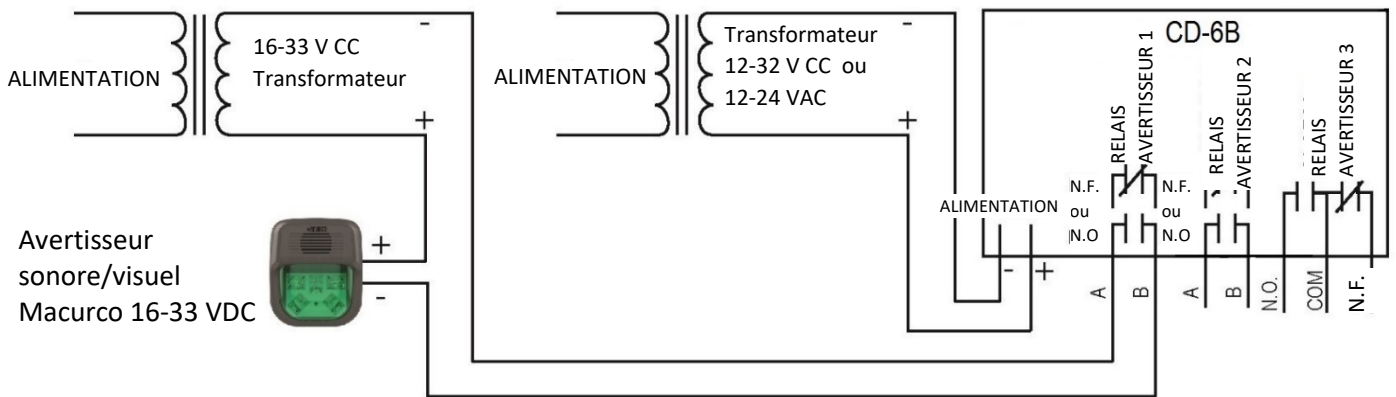


Figure 3-8: Branchements de l'avertisseur sonore/visuel (CD-6B)

3.3 Instructions de câblage

La pose du câblage sur site devra être effectuée par l'intermédiaire de connecteurs modulaires (fournis), à l'exception de la mise à la terre. Avant de procéder, lire les instructions spécifiques suivantes pour chaque connexion. Ensuite, poursuivre la lecture avec la section 3.3.5 Réalisation du câblage.

3.3.1 Raccordement de l'alimentation

Raccorder le CD-6B uniquement à une alimentation électrique de classe 2. Il est recommandé d'utiliser un transformateur séparé pour alimenter le ou les équipements en raison des possibles interférences produites par les autres appareils raccordés sur la même alimentation électrique. L'alimentation comporte deux bornes: 12-24 VCA nominale ou 12-32 VCC nominale, sans préférence de polarité.

3.3.2 Branchement du relais avertisseur 1

Les branchements du relais avertisseur 1 (A et B) sont disponibles au niveau du connecteur modulaire. Ces branchements ne présentent pas de polarité spécifique. Le relais avertisseur 1 est un interrupteur unipolaire unidirectionnel pour charge de 2 A, jusqu'à 240 V CA ou 30 V CC.

3.3.3 Branchement du relais avertisseur 2

Les branchements du relais avertisseur 2 (A et B) sont disponibles au niveau du connecteur modulaire. Ces branchements ne présentent pas de polarité spécifique. Le relais avertisseur 2 est un interrupteur unipolaire unidirectionnel pour charge de 2 A, jusqu'à 240 V CA ou 30 V CC.

3.3.4 Branchement du relais avertisseur 3

Les branchements du relais avertisseur 3 (NO, COM, NC) sont disponibles au niveau du connecteur modulaire. Ces branchements ne présentent pas de polarité spécifique. Le relais avertisseur 3 est un interrupteur unipolaire bidirectionnel pour charge de 2 A, jusqu'à 240 V CA ou 30 V CC.

- a. Brancher un fil sur NO et un autre sur COM pour obtenir la configuration « normalement ouvert ».
- b. Brancher un fil sur NC et un autre sur COM pour obtenir la configuration « normalement fermé ».

3.3.5 Réalisation du câblage

Avant d'effectuer le câblage, lire les informations données ci-dessus et relatives à chaque composant de câblage qui doit être installé. Procéder ensuite comme suit:

1. S'assurer que le CD-6B est hors tension.
2. Repérer les connecteurs modulaires à l'arrière du CD-6B. Débrancher le connecteur modulaire de l'embase du détecteur.
3. Dénuder l'isolant de chaque câble d'environ 6,5 mm (¼ po).
4. Insérer le câble dénudé dans la borne et serrer la vis de serrage. S'assurer que le câble ne peut pas être facilement retiré du connecteur.
5. Lorsque le raccordement des câbles est effectué, placer le connecteur modulaire dans le connecteur en vous assurant que le verrou s'enclenche.

REMARQUE: Seuls des câbles ayant un diamètre AWG compris entre 12 et 22 peuvent être utilisés. Les câbles utilisés doivent correspondre à la plage de température du détecteur, c'est à dire entre 0 °C et 50 °C (entre 32 °F et 121 °F).

4 Fonctionnement

4.1 Mise sous-tension

Le CD-6B effectue un cycle d'autotest interne au cours de la première minute où il est alimenté. L'équipement réalisera le cycle d'essai à chaque fois que l'alimentation sera coupée et remise en marche (en cas de panne de courant, par exemple).

Pendant l'intégralité du cycle d'autotest, le voyant lumineux (DEL) émet une lumière verte clignotante.

L'affichage alterne entre « Cd6b » et la version du firmware pendant les 2 premières secondes, puis lance un compte à rebours de 60 à 0 (si le réglage d'affichage (dSP) est réglé sur « On »).

Le relais avertisseur 1 est actif pendant toute la séquence de mise sous tension (si PUt est activé). Les relais avertisseur 2 et 3 sont activés pendant les 10 premières secondes de mise sous tension (si le PUt est activé).

Lorsque le compte à rebours de l'affichage atteint 0, l'appareil prélève un premier échantillon d'air et le voyant lumineux devient vert fixe pour indiquer que le test de mise sous tension est terminé.

4.2 Alarme de sensibilisation

L'alarme de sensibilisation est réglée sur 0,50 % vol et n'est pas paramétrable par l'utilisateur. Lorsque la concentration en gaz est égale ou supérieure à 0,50 % vol, l'appareil signale une alarme de conscience.

Lorsque l'alarme de sensibilisation est activée, l'avertisseur sonore émet un bip toutes les 60 secondes. Si l'affichage est en marche, la concentration de gaz réelle est indiquée en clignotant.

REMARQUE: L'alarme de sensibilisation a la priorité d'alarme la plus basse.

4.3 Relais avertisseur 1

- Pour régler la consigne du relais avertisseur 1, utiliser le réglage « A1S » dans le menu de Configuration. Les valeurs sélectionnables sont: « diS »/0,25/0,50 (par défaut)/1,00/1,50/2,00/2,50/3,00/3,50/4,00/4,50/5,00
- Le relais avertisseur 1 peut être déclenché par une lecture instantanée ou une moyenne pondérée dans le temps. La condition souhaitée peut être sélectionnée grâce au réglage « A1t » dans le menu de configuration. La moyenne pondérée dans le temps utilise les lectures des 8 dernières heures pour calculer la moyenne. Le réglage par défaut est « On ».
- Le relais avertisseur 1 peut être configuré sur nO (N.O.) ou nC (N.F.). La configuration par défaut est nO. Pour la modifier, paramétrer le réglage « A1c » dans le menu de configuration.
- Pour régler le comportement de verrouillage de l'avertisseur 1, paramétrer le réglage « A1L » dans le menu de configuration. La valeur par défaut est « OFF », sans verrouillage.
- Si le réglage « tFS » est activé (« On »), le relais avertisseur 1 s'enclenchera en cas de défaillance. Le réglage par défaut est « OFF ». Le réglage « tFS » peut être paramétré dans le menu de configuration.
- Caractéristiques électriques: Interrupteur unipolaire unidirectionnel pour charge de 2 A, jusqu'à 240 V CA ou 30 V CC.

4.4 Relais avertisseur 2

- Pour régler la consigne du relais avertisseur 2, utiliser le réglage « A2S » dans le menu de configuration. Les valeurs sélectionnables sont: « diS »/0,25/0,50/1,00/1,50 (par défaut)/2,00/2,50/3,00/3,50/4,00/4,50/5,00
- Le relais avertisseur 2 peut être configuré sur nO (N.O.) ou nC (N.F.). La configuration par défaut est nO. Pour la modifier, paramétrer le réglage « A2c » dans le menu de configuration.
- Pour régler le comportement de verrouillage de l'avertisseur 2, paramétrer le réglage « A2L » dans le menu de configuration. La valeur par défaut est « OFF », sans verrouillage.
- Le relais avertisseur 2 est paramétré pour répondre uniquement à la lecture instantanée du gaz (pas d'option de moyenne pondérée dans le temps).
- Caractéristiques électriques: Interrupteur unipolaire unidirectionnel pour charge de 2 A, jusqu'à 240 V CA ou 30 V CC.

4.5 Relais avertisseur 3

- Pour régler la consigne du relais avertisseur 3, utiliser le réglage « A3S » dans le menu de Configuration. Les valeurs sélectionnables sont: « diS »/0,25/0,50/1,00/1,50/2,00/2,50/3,00 (par défaut)/3,50/4,00/4,50/5,00

- Pour régler le comportement de verrouillage de l'avertisseur 3, paramétrer le réglage « A3L » dans le menu de configuration. Le verrouillage est réglé par défaut sur « ON ».
- Le relais avertisseur 3 peut être câblé sur nO (N.O.) ou nC (N.F.). Tout changement implique un recâblage.
- Le relais avertisseur 3 est paramétré pour répondre uniquement à la lecture instantanée du gaz (pas d'option de moyenne pondérée dans le temps).
- Caractéristiques électriques: Interrupteur unipolaire bidirectionnel pour charge de 2 A, jusqu'à 240 V CA ou 30 V CC.

4.6 Comportement de l'alarme

4.6.1 Priorité de l'alarme

Priorités de l'alarme, de la **plus basse** à la **plus haute**: Alarme de sensibilisation, Alarme 1, Alarme 2, Alarme 3, Défaillance.

Par exemple, la défaillance a la priorité la plus élevée. Par conséquent, si une alarme et une défaillance surviennent au même moment, le comportement de l'appareil (avertisseur sonore, affichage et LED d'alimentation) sera orienté vers la résolution de la défaillance.

4.6.2 Affichage activé

Lorsque la fonction d'affichage est activée (« On »),

- **Air pur** – Si présence d'air pur, l'affichage indique la concentration actuelle de CO₂ dans l'air.
Remarque: La concentration en CO₂ dans « l'air pur » ne sera pas égale à « 0 », étant donné que les niveaux de concentration en CO₂ dans l'atmosphère sont compris entre 0,03 et 0,05 %.
- **Alarme de sensibilisation** – Si le pourcentage de CO₂ a atteint 0,50 %, l'affichage indique la concentration en gaz réelle en clignotant. L'avertisseur sonore émettra également un bip toutes les 60 secondes si « bUZ » est activé.
- **Niveau de l'alarme 1** – Si le pourcentage de CO₂ a atteint le réglage de l'avertisseur 1, l'affichage alterne entre la concentration en gaz réelle et « ALr1 ». L'avertisseur sonore émettra également un bip toutes les secondes si « bUZ » est activé.
- **Niveau de l'alarme 2** – Si le pourcentage de CO₂ a atteint le réglage de l'avertisseur 2, l'affichage alterne entre la concentration en gaz réelle et « ALr2 ». L'avertisseur sonore émettra également un bip toutes les secondes si « bUZ » est activé.
- **Niveau de l'alarme 3** – Si le pourcentage de CO₂ a atteint le réglage de l'avertisseur 3, l'affichage alterne entre la concentration en gaz réelle et « ALr3 ». L'avertisseur sonore émettra également un bip toutes les secondes si « bUZ » est activé.
- **Défaillance** – Si l'appareil présente une défaillance, l'affichage indique un code d'erreur « t » (« t01 », par exemple). Si le paramètre du ventilateur en cas de défaillance « tFS » est activé, le relais d'alarme 1 s'enclenche. Consulter la section [5.1.2 Codes d'erreur « t »](#) et la section [4.5.11 Paramètre du ventilateur en cas de défaillance – « tFS »](#).
- **Échéance étalonnage** – Si la fonctionnalité de période d'étalonnage est activée, lorsque la date d'étalonnage du capteur est dans moins d'un mois, l'affichage alternera entre « dUE » et la concentration en gaz réelle. Le comportement « Échéance étalonnage » ne disparaît que lorsqu'un étalonnage sur site est effectué avec succès.

4.6.3 Affichage désactivé

Lorsque la fonction d'affichage est désactivée (« off »),

- **Air pur** – Si présence d'air pur, l'affichage n'indique pas la concentration actuelle de CO₂ dans l'air. Seul le témoin d'alimentation sera allumé.
- **Alarme de sensibilisation** – Si le pourcentage de CO₂ a atteint 0,50 %, l'affichage n'indique rien. L'avertisseur sonore émettra également un bip toutes les 60 secondes si « bUZ » est activé.
- **Niveau de l'alarme 1** – Si le pourcentage de CO₂ a atteint le réglage de l'avertisseur 1, l'affichage indique « ALr1 ». L'avertisseur sonore émettra également un bip toutes les secondes si « bUZ » est activé.
- **Niveau de l'alarme 2** – Si le pourcentage de CO₂ a atteint le réglage de l'avertisseur 2, l'affichage indique « ALr2 ». L'avertisseur sonore émettra également un bip toutes les secondes si « bUZ » est activé.
- **Niveau de l'alarme 3** – Si le pourcentage de CO₂ a atteint le réglage de l'avertisseur 3, l'affichage indique « ALr3 ». L'avertisseur sonore émettra également un bip toutes les secondes si « bUZ » est activé.
- **Défaillance** – Si l'appareil présente une défaillance, l'affichage indique un code d'erreur « t » (« t01 », par exemple). Si le paramètre du ventilateur en cas de défaillance « tFS » est activé, le relais d'alarme 1 s'enclenche. Consulter la section [5.1.2 Codes d'erreur « t »](#) et la section [4.5.11 Paramètre du ventilateur en cas de défaillance – « tFS »](#) pour obtenir plus d'informations sur le sujet.
- **Échéance étalonnage** – Si la fonctionnalité de période d'étalonnage est activée, lorsque la date d'étalonnage du capteur est dans moins d'un mois, l'affichage indique « dUE » en continu. Le comportement « Échéance étalonnage » ne disparaît que lorsqu'un étalonnage sur site est effectué avec succès.

4.7 Verrouillage du relais

Chaque relais avertisseur dispose d'une option de verrouillage du relais. Ce dispositif contrôle le comportement de l'alarme après activation et lorsque la concentration en gaz redescend en dessous du niveau d'alarme.

Verrouillage activé – Lorsque l'option de verrouillage du relais est réglée sur « On » et que la concentration de gaz déclenche l'avertisseur, le relais ne se désactive pas lorsque la concentration de gaz descend en dessous du niveau d'alarme. L'alimentation doit être interrompue ou le bouton « **ENTER/TEST** » doit être appuyé pour déverrouiller l'état du relais.

Lorsqu'un relais est verrouillé et que la lecture est inférieure au seuil d'alarme ou qu'elle est rétablie après une défaillance, l'affichage alterne entre « ALrX » et la valeur réelle de concentration de gaz (lorsque l'affichage est activé; « ON ») ou « ALrX » fixe (lorsque l'affichage est réglé « OFF ») avec X égale 1, 2 ou 3 pour les relais 1, 2 et 3 respectivement.

Verrouillage désactivé – Lorsque l'option de verrouillage du relais est réglée sur « OFF » et que la concentration de gaz descend en dessous du niveau d'alarme, les relais se désactivent et l'avertisseur sonore s'arrête.

REMARQUE: Lorsque tFS est réglé sur « On », le relais avertisseur 1 est contrôlé à la fois par A1S et Trouble (défaillance). Ainsi, avec tFS et A1L réglés sur « On » (le relais avertisseur 1 est réglé sur verrouillé), le relais avertisseur 1 est également verrouillé lorsque l'appareil rencontre des défaillances.

4.8 Paramètres par défaut / réglages d'usine

Paramètre:	Par défaut:
Essai de mise sous tension (Put)	Désactivé (Off)

Affichage (dSP)	Activé (On)
Avertisseur sonore (bUZ)	Activé (On)
Réglage du relais avertisseur 1 (A1S)	0,50
Configuration du relais avertisseur 1 (A1c)	Normalement Ouvert (NO)
Verrouillage du relais avertisseur 1 (A1L)	Désactivé (Off)
Alarme d'exposition moyenne pondérée dans le temps 1 (A1t)	Activé (On)
Réglage du relais avertisseur 2 (A2S)	1,50
Configuration du relais avertisseur 2 (A2c)	Normalement Ouvert (NO)
Verrouillage du relais avertisseur 2 (A2L)	Désactivé (Off)
Réglage du relais avertisseur 3 (A3S)	3,00
Verrouillage du relais avertisseur 3 (A3L)	Activé (On)
Réglage du ventilateur en cas de défaillance – « tFS »	Désactivé (mappé au relais avertisseur 1)
Étalonnage automatisé en fond (Abc)	Activé (On)
Intervalle d'étalonnage (CAL) (visible uniquement lorsque Abc est désactivé)	« diS »

Tableau 4-1: Paramètres par défaut

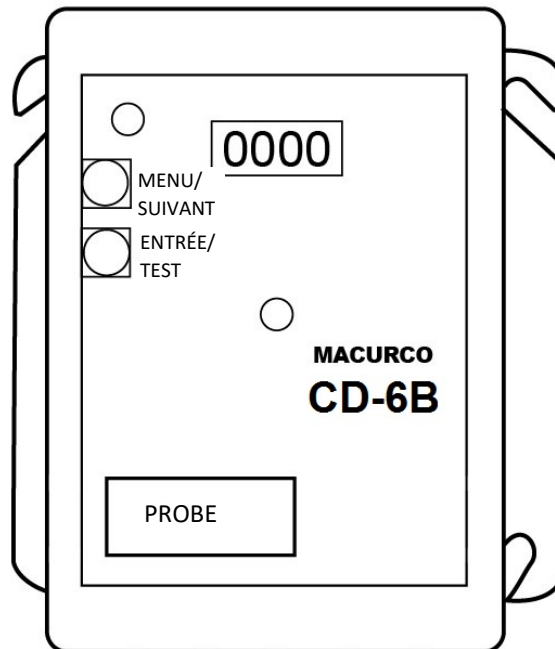


Figure 4-1: Vue de la carte

4.8.1 Sélectionner la configuration Par défaut – « dEF »

Les options disponibles sont « YES », « nO ».

REMARQUE: Il n'est pas possible de modifier ce menu si le CD-6B affiche « calibration due » ou « calibration overdue ». (Consulter la section 4.8.16 Période d'étalonnage – « CAL » pour plus d'informations concernant l'échéance d'étalonnage et le dépassement de période d'étalonnage.)

Pour sélectionner la configuration par défaut (réinitialisation des paramètres par défaut), en mode normal:

1. Appuyer sur le bouton **Suivant** (« **Next** ») pour accéder au menu de configuration (« Con »).
2. Appuyer sur le bouton **Entrée** (« **Enter** ») pour ouvrir le menu Con.
3. Le premier élément sélectionnable est alors « dEF » ou le réglage par défaut. Appuyer sur **Entrée** (« **Enter** »)
4. Si l'appareil est déjà configuré par défaut, « YES » est indiqué et aucune action n'est disponible. Si « dEF » n'est pas considéré comme le réglage par défaut, la mention « nO » apparaîtra.
5. Appuyer sur **Suivant** (« **Next** ») pour changer le réglage sur « YES » (l'affichage commence à clignoter).
6. Appuyer sur **Entrée** (« **Enter** ») pour confirmer la réinitialisation des paramètres par défaut de l'appareil (l'affichage cesse de clignoter).
7. Appuyer à nouveau sur **Entrée** (« **Enter** ») pour revenir au menu de configuration.
8. Appuyer sur **Suivant** (« **Next** ») jusqu'à ce que « End » soit affiché.
9. Appuyer sur **Entrée** (« **Enter** ») pour revenir au mode de fonctionnement normal.

4.8.2 Sélectionner le réglage Essai sous tension – « PUt »

Les options disponibles sont « OFF », « On ».

Pour sélectionner la configuration « Essai sous tension » en mode normal:

1. Appuyer sur le bouton **Suivant** (« **Next** ») pour accéder au menu de configuration (« Con »).
2. Appuyer sur le bouton **Entrée** (« **Enter** ») pour ouvrir le menu Con.
3. Appuyer une fois sur **Suivant** (« **Next** ») pour atteindre « PUt », la configuration Essai sous tension.
4. Appuyer sur **Entrée** (« **Enter** ») L'écran affiche le réglage actuel.
5. Appuyer sur **Suivant** (« **Next** ») pour faire défiler les réglages disponibles (l'affichage commence à clignoter).
6. Appuyer sur **Entrée** (« **Enter** ») pour confirmer le nouveau réglage (l'affichage cesse de clignoter).
7. Appuyer à nouveau sur **Entrée** (« **Enter** ») pour revenir au menu de configuration.
8. Appuyer sur **Suivant** (« **Next** ») jusqu'à ce que « End » soit affiché.
9. Appuyer sur **Entrée** (« **Enter** ») pour revenir au mode de fonctionnement normal.

4.8.3 Sélectionner la configuration Affichage – « dSP »

Les options disponibles sont « OFF », « On ».

Pour sélectionner la configuration de l'affichage en mode normal:

1. Appuyer sur le bouton **Suivant** (« **Next** ») pour accéder au menu de configuration (« Con »).
2. Appuyer sur le bouton **Entrée** (« **Enter** ») pour ouvrir le menu Con.
3. Appuyer 2 fois sur **Suivant** (« **Next** ») pour atteindre « dSP », configuration de l'affichage.
4. Appuyer sur **Entrée** (« **Enter** ») L'écran affiche le réglage actuel.
5. Appuyer sur **Suivant** (« **Next** ») pour faire défiler les réglages disponibles (l'affichage commence à clignoter).
6. Appuyer sur **Entrée** (« **Enter** ») pour confirmer le nouveau réglage (l'affichage cesse de clignoter).
7. Appuyer à nouveau sur **Entrée** (« **Enter** ») pour revenir au menu de configuration.
8. Appuyer sur **Suivant** (« **Next** ») jusqu'à ce que « End » soit affiché.
9. Appuyer sur **Entrée** (« **Enter** ») pour revenir au mode de fonctionnement normal.

4.8.4 Sélectionner la configuration Avertisseur sonore – « bUZ »

Les options disponibles sont « OFF », « On ».

Pour sélectionner la configuration Avertisseur sonore, en mode normal:

1. Appuyer sur le bouton **Suivant** (« **Next** ») pour accéder au menu de configuration (« Con »).
2. Appuyer sur le bouton **Entrée** (« **Enter** ») pour ouvrir le menu Con.
3. Appuyer 3 fois sur **Suivant** (« **Next** ») pour atteindre « bUZ », le réglage de l'avertisseur sonore.
4. Appuyer sur **Entrée** (« **Enter** ») L'écran affiche le réglage actuel.
5. Appuyer sur **Suivant** (« **Next** ») pour faire défiler les réglages disponibles (l'affichage commence à clignoter).
6. Appuyer sur **Entrée** (« **Enter** ») pour confirmer le nouveau réglage (l'affichage cesse de clignoter).
7. Appuyer à nouveau sur **Entrée** (« **Enter** ») pour revenir au menu de configuration.
8. Appuyer sur **Suivant** (« **Next** ») jusqu'à ce que « End » soit affiché.
9. Appuyer sur **Entrée** (« **Enter** ») pour revenir au mode de fonctionnement normal.

4.8.5 Sélectionner le réglage Relais avertisseur 1 – « A1S »

Les options disponibles sont: « diS »/0,25/0,50/1,00/1,50/2,00/2,50/3,00/3,50/4,00/4,50/5,00

Pour sélectionner le réglage du relais avertisseur 1, en mode normal:

1. Appuyer sur le bouton **Suivant** (« **Next** ») pour accéder au menu de configuration (« Con »).
2. Appuyer sur le bouton **Entrée** (« **Enter** ») pour ouvrir le menu Con.
3. Appuyer 4 fois sur **Suivant** (« **Next** ») pour atteindre « A1S », réglage du relais avertisseur 1.
4. Appuyer sur **Entrée** (« **Enter** ») L'écran affiche le réglage actuel.
5. Appuyer sur **Suivant** (« **Next** ») pour faire défiler les réglages disponibles (l'affichage commence à clignoter).
6. Appuyer sur **Entrée** (« **Enter** ») pour confirmer le nouveau réglage (l'affichage cesse de clignoter).
7. Appuyer à nouveau sur **Entrée** (« **Enter** ») pour revenir au menu de configuration.
8. Appuyer sur **Suivant** (« **Next** ») jusqu'à ce que « End » soit affiché.
9. Appuyer sur **Entrée** (« **Enter** ») pour revenir au mode de fonctionnement normal.

4.8.6 Sélectionner la configuration Relais avertisseur 1 – « A1c »

Les options disponibles sont « nO », « nC ».

Pour sélectionner la configuration du relais avertisseur 1 en mode normal:

1. Appuyer sur le bouton **Suivant** (« **Next** ») pour accéder au menu de configuration (« Con »).
2. Appuyer sur le bouton **Entrée** (« **Enter** ») pour ouvrir le menu Con.
3. Appuyer 5 fois sur **Suivant** (« **Next** ») pour atteindre « A1c », configuration du relais avertisseur 1.
4. Appuyer sur **Entrée** (« **Enter** ») L'écran affiche le réglage actuel.
5. Appuyer sur **Suivant** (« **Next** ») pour faire défiler les réglages disponibles (l'affichage commence à clignoter).
6. Appuyer sur **Entrée** (« **Enter** ») pour confirmer le nouveau réglage (l'affichage cesse de clignoter).
7. Appuyer à nouveau sur **Entrée** (« **Enter** ») pour revenir au menu de configuration.
8. Appuyer sur **Suivant** (« **Next** ») jusqu'à ce que « End » soit affiché.
9. Appuyer sur **Entrée** (« **Enter** ») pour revenir au mode de fonctionnement normal.

4.8.7 Sélectionner le verrouillage Relais avertisseur 1 – « A1L »

Les options disponibles sont « OFF », « On ».

Pour sélectionner la configuration de déverrouillage du relais avertisseur 1 en mode normal:

1. Appuyer sur le bouton **Suivant** (« **Next** ») pour accéder au menu de configuration (« Con »).
2. Appuyer sur le bouton **Entrée** (« **Enter** ») pour ouvrir le menu Con.
3. Appuyer 6 fois sur **Suivant** (« **Next** ») pour atteindre « A1L », verrouillage du relais avertisseur 1.
4. Appuyer sur **Entrée** (« **Enter** ») L'écran affiche le réglage actuel.
5. Appuyer sur **Suivant** (« **Next** ») pour faire défiler les réglages disponibles (l'affichage commence à clignoter).
6. Appuyer sur **Entrée** (« **Enter** ») pour confirmer le nouveau réglage (l'affichage cesse de clignoter).
7. Appuyer à nouveau sur **Entrée** (« **Enter** ») pour revenir au menu de configuration.
8. Appuyer sur **Suivant** (« **Next** ») jusqu'à ce que « End » soit affiché.
9. Appuyer sur **Entrée** (« **Enter** ») pour revenir au mode de fonctionnement normal.

4.8.8 Sélectionner le réglage MTT avertisseur 1 – « A1t »

Les options disponibles sont « OFF », « On ».

Pour sélectionner le réglage du MTT de l'avertisseur 1, en mode normal:

1. Appuyer sur le bouton **Suivant** (« **Next** ») pour accéder au menu de configuration (« Con »).
2. Appuyer sur le bouton **Entrée** (« **Enter** ») pour ouvrir le menu Con.
3. Appuyer 7 fois sur **Suivant** (« **Next** ») pour atteindre « A1t », moyenne pondérée dans le temps de l'avertisseur 1.
4. Appuyer sur **Entrée** (« **Enter** ») L'écran affiche le réglage actuel.
5. Appuyer sur **Suivant** (« **Next** ») pour faire défiler les réglages disponibles (l'affichage commence à clignoter).
6. Appuyer sur **Entrée** (« **Enter** ») pour confirmer le nouveau réglage (l'affichage cesse de clignoter).
7. Appuyer à nouveau sur **Entrée** (« **Enter** ») pour revenir au menu de configuration.
8. Appuyer sur **Suivant** (« **Next** ») jusqu'à ce que « End » soit affiché.
9. Appuyer sur **Entrée** (« **Enter** ») pour revenir au mode de fonctionnement normal.

4.8.9 Sélectionner le réglage Relais avertisseur 2 – « A2S »

Les options disponibles sont: « diS »/0,25/0,50/1,00/1,50/2,00/2,50/3,00/3,50/4,00/4,50/5,00

Pour sélectionner le réglage du relais avertisseur 2, en mode normal:

1. Appuyer sur le bouton **Suivant** (« **Next** ») pour accéder au menu de configuration (« Con »).
2. Appuyer sur le bouton **Entrée** (« **Enter** ») pour ouvrir le menu Con.
3. Appuyer 8 fois sur **Suivant** (« **Next** ») pour atteindre « A2S », réglage du relais avertisseur 2.
4. Appuyer sur **Entrée** (« **Enter** ») L'écran affiche le réglage actuel.
5. Appuyer sur **Suivant** (« **Next** ») pour faire défiler les réglages disponibles (l'affichage commence à clignoter).
6. Appuyer sur **Entrée** (« **Enter** ») pour confirmer le nouveau réglage (l'affichage cesse de clignoter).
7. Appuyer à nouveau sur **Entrée** (« **Enter** ») pour revenir au menu de configuration.
8. Appuyer sur **Suivant** (« **Next** ») jusqu'à ce que « End » soit affiché.
9. Appuyer sur **Entrée** (« **Enter** ») pour revenir au mode de fonctionnement normal.

4.8.10 Sélectionner la configuration Relais avertisseur 2 – « A2c »

Les options disponibles sont « nO », « nC ».

Pour sélectionner la configuration du relais avertisseur 2 en mode normal:

1. Appuyer sur le bouton **Suivant** (« **Next** ») pour accéder au menu de configuration (« Con »).
2. Appuyer sur le bouton **Entrée** (« **Enter** ») pour ouvrir le menu Con.
3. Appuyer 9 fois sur **Suivant** (« **Next** ») pour atteindre « A2c », configuration du relais avertisseur 2.
4. Appuyer sur **Entrée** (« **Enter** ») L'écran affiche le réglage actuel.
5. Appuyer sur **Suivant** (« **Next** ») pour faire défiler les réglages disponibles (l'affichage commence à clignoter).
6. Appuyer sur **Entrée** (« **Enter** ») pour confirmer le nouveau réglage (l'affichage cesse de clignoter).
7. Appuyer à nouveau sur **Entrée** (« **Enter** ») pour revenir au menu de configuration.
8. Appuyer sur **Suivant** (« **Next** ») jusqu'à ce que « End » soit affiché.
9. Appuyer sur **Entrée** (« **Enter** ») pour revenir au mode de fonctionnement normal.

4.8.11 Sélectionner le verrouillage Relais avertisseur 2 – « A2L »

Les options disponibles sont « OFF », « On ».

Pour sélectionner la configuration de déverrouillage du relais avertisseur 2 en mode normal:

1. Appuyer sur le bouton **Suivant** (« **Next** ») pour accéder au menu de configuration (« Con »).
2. Appuyer sur le bouton **Entrée** (« **Enter** ») pour ouvrir le menu Con.
3. Appuyer 10 fois sur **Suivant** (« **Next** ») pour atteindre « A2L », verrouillage du relais avertisseur 2.
4. Appuyer sur **Entrée** (« **Enter** ») L'écran affiche le réglage actuel.
5. Appuyer sur **Suivant** (« **Next** ») pour faire défiler les réglages disponibles (l'affichage commence à clignoter).
6. Appuyer sur **Entrée** (« **Enter** ») pour confirmer le nouveau réglage (l'affichage cesse de clignoter).
7. Appuyer à nouveau sur **Entrée** (« **Enter** ») pour revenir au menu de configuration.
8. Appuyer sur **Suivant** (« **Next** ») jusqu'à ce que « End » soit affiché.
9. Appuyer sur **Entrée** (« **Enter** ») pour revenir au mode de fonctionnement normal.

4.8.12 Sélectionner le réglage Relais avertisseur 3 – « A3S »

Les options disponibles sont: « diS »/0,25/0,50/1,00/1,50/2,00/2,50/3,00/3,50/4,00/4,50/5,00

Pour sélectionner le réglage du relais avertisseur 3, en mode normal:

1. Appuyer sur le bouton **Suivant** (« **Next** ») pour accéder au menu de configuration (« Con »).
2. Appuyer sur le bouton **Entrée** (« **Enter** ») pour ouvrir le menu Con.
3. Appuyer 11 fois sur **Suivant** (« **Next** ») pour atteindre « A3S », réglage du relais avertisseur 1.
4. Appuyer sur **Entrée** (« **Enter** ») L'écran affiche le réglage actuel.
5. Appuyer sur **Suivant** (« **Next** ») pour faire défiler les réglages disponibles (l'affichage commence à clignoter).
6. Appuyer sur **Entrée** (« **Enter** ») pour confirmer le nouveau réglage (l'affichage cesse de clignoter).
7. Appuyer à nouveau sur **Entrée** (« **Enter** ») pour revenir au menu de configuration.
8. Appuyer sur **Suivant** (« **Next** ») jusqu'à ce que « End » soit affiché.
9. Appuyer sur **Entrée** (« **Enter** ») pour revenir au mode de fonctionnement normal.

4.8.13 Sélectionner le verrouillage Relais avertisseur 3 – « A3L »

Les options disponibles sont « OFF », « On ».

Pour sélectionner la configuration de déverrouillage du relais avertisseur 3 en mode normal:

1. Appuyer sur le bouton **Suivant** (« **Next** ») pour accéder au menu de configuration (« Con »).
2. Appuyer sur le bouton **Entrée** (« **Enter** ») pour ouvrir le menu Con.
3. Appuyer 12 fois sur **Suivant** (« **Next** ») pour atteindre « A3L », verrouillage du relais avertisseur 3.

4. Appuyer sur **Entrée** (« **Enter** ») L'écran affiche le réglage actuel.
5. Appuyer sur **Suivant** (« **Next** ») pour faire défiler les réglages disponibles (l'affichage commence à clignoter).
6. Appuyer sur **Entrée** (« **Enter** ») pour confirmer le nouveau réglage (l'affichage cesse de clignoter).
7. Appuyer à nouveau sur **Entrée** (« **Enter** ») pour revenir au menu de configuration.
8. Appuyer sur **Suivant** (« **Next** ») jusqu'à ce que « End » soit affiché.
9. Appuyer sur **Entrée** (« **Enter** ») pour revenir au mode de fonctionnement normal.

4.8.14 Sélectionner le réglage Ventilateur en cas de défaillance – « tFS »

Les options disponibles sont « OFF », « On ».

Pour sélectionner le réglage Ventilateur en cas de défaillance, en mode normal:

S'il est réglé sur « On », le réglage Ventilateur en cas de défaillance sera activé en même temps que le relais avertisseur 1.

1. Appuyer sur le bouton **Suivant** (« **Next** ») pour accéder au menu de configuration (« Con »).
2. Appuyer sur le bouton **Entrée** (« **Enter** ») pour ouvrir le menu Con.
3. Appuyer 13 fois sur **Suivant** (« **Next** ») pour atteindre « tFS », réglage ventilateur en cas de défaillance
4. Appuyer sur **Entrée** (« **Enter** ») L'écran affiche le réglage actuel.
5. Appuyer sur **Suivant** (« **Next** ») pour faire défiler les réglages disponibles (l'affichage commence à clignoter).
6. Appuyer sur **Entrée** (« **Enter** ») pour confirmer le nouveau réglage (l'affichage cesse de clignoter).
7. Appuyer à nouveau sur **Entrée** (« **Enter** ») pour revenir au menu de configuration.
8. Appuyer sur **Suivant** (« **Next** ») jusqu'à ce que « End » soit affiché.
9. Appuyer sur **Entrée** (« **Enter** ») pour revenir au mode de fonctionnement normal.

4.8.15 Sélectionner Étalonnage automatisé en fond – « Abc »

Les options disponibles sont « OFF », « On ».

REMARQUE: Ce réglage ne peut pas être modifié lorsque l'appareil indique « Calibration Due » ou « Calibration Overdue » (code d'erreur « t 80 »).

Pour sélectionner le réglage de l'Abc, en mode normal:

1. Appuyer sur le bouton **Suivant** (« **Next** ») pour accéder au menu de configuration (« Con »).
2. Appuyer sur le bouton **Entrée** (« **Enter** ») pour ouvrir le menu Con.
3. Appuyer 14 fois (15 fois si le réglage est désactivé/réglé sur « OFF ») sur **Suivant** (« **Next** ») pour atteindre « Abc », étalonnage automatisé en fond
4. Appuyer sur **Entrée** (« **Enter** ») L'écran affiche le réglage actuel.
5. Appuyer sur **Suivant** (« **Next** ») pour faire défiler les réglages disponibles (l'affichage commence à clignoter).
6. Appuyer sur **Entrée** (« **Enter** ») pour confirmer le nouveau réglage (l'affichage cesse de clignoter).
7. Appuyer à nouveau sur **Entrée** (« **Enter** ») pour revenir au menu de configuration.
8. Appuyer sur **Suivant** (« **Next** ») jusqu'à ce que « End » soit affiché.
9. Appuyer sur **Entrée** (« **Enter** ») pour revenir au mode de fonctionnement normal.

4.8.16 Période d'étalonnage – « CAL »

Cette option **n'est disponible que lorsque « Abc » est désactivé/réglé sur « OFF ».**

La valeur sélectionnée dans la Période d'étalonnage exprime un nombre de mois. Le CD-6B affiche le message « échéance d'étalonnage » (calibration due) à 1 mois de la fin de la période d'étalonnage et « dépassement de période d'étalonnage » (calibration overdue) lorsque la date a été atteinte ou dépassée pour le détecteur. Il n'est pas possible de modifier le réglage Période d'étalonnage si le CD-6B affiche « calibration due » ou « calibration overdue ».

Pour sélectionner le réglage de la Période d'étalonnage en mode normal:

1. Appuyer sur le bouton **Suivant** (« **Next** ») pour accéder au menu de configuration (« Con »).
2. Appuyer sur le bouton **Entrée** (« **Enter** ») pour ouvrir le menu Con.
3. Appuyer 14 fois sur **Suivant** (« **Next** ») pour atteindre « CAL », période d'étalonnage.
4. Appuyer sur **Entrée** (« **Enter** ») L'écran affiche le réglage actuel.
5. Le réglage par défaut est « DIS ». Appuyer sur **Suivant** (« **Next** ») pour la changer en 3, 6, 12, ou 24 minutes (la valeur clignote).
6. Appuyer sur **Entrée** (« **Enter** ») pour confirmer le changement (voyant fixe).
7. Appuyer à nouveau sur **Entrée** (« **Enter** ») pour retourner à « CAL » dans le menu Con.
8. Appuyer sur **Suivant** (« **Next** ») jusqu'à ce que « End » soit affiché.
9. Appuyer sur **Entrée** (« **Enter** ») pour revenir au mode de fonctionnement normal.

5 Dépannage

5.1 Diagnostics embarqués

Le CD-6B surveille toutes les fonctions critiques de l'appareil grâce à des diagnostics logiciels qui testent et vérifient continuellement le fonctionnement de l'équipement.

5.1.1 Défaillance

Si une anomalie est détectée, l'équipement bascule en sureté intégrée/mode Erreur, ou en état de défaillance. En mode erreur,

- Le relais avertisseur 1 est activé si tFS est activé.
- l'appareil affiche le code d'erreur.
- le voyant d'état vert clignote.
- l'avertisseur sonore retentit de manière intermittente.

Pour revenir en mode normal, mettre l'équipement hors tension pendant quelques secondes ou d'appuyer sur le bouton ENTER/TEST (à l'intérieur de l'appareil). L'équipement redémarre alors le cycle d'autotest d'une minute.

5.1.2 Codes d'erreur « t »

En cas de défaillance, l'affichage indique un code d'erreur « t ». La défaillance est indiquée sur l'afficheur qui alterne toutes les secondes entre « t XX » et « tYYYY » (si XX est différent de zéro), ou « tYYYY » uniquement (si XX est égale à zéro). Le tableau 1 ci-dessous propose une description de chaque code d'erreur « t ».

t XX	
t 01	Erreur fatale du capteur (transmise par le capteur) ou Mauvais type de capteur (si le progiciel détecte un capteur installé autre que de type 5 % vol.)
t 02	Erreur de régulation du décalage du capteur (transmise par le capteur)
t 04	Erreur d'algorithme du capteur (transmise par le capteur)

t 08	Erreur de sortie du capteur (transmise par le capteur)
t 10	Erreur d'autodiagnostic du capteur (transmis par le capteur)
t 20	Capteur en dehors de la plage de mesure (transmise par le capteur)
t 40	Erreur de mémoire du capteur (transmise par le capteur)
t 80	Dépassement de période d'étalonnage* (« Calibration overdue », définie par le progiciel)
tYYY	
t001	Capteur manquant (uniquement pendant la mise sous tension)
t004	Somme de contrôle erronée dans l'EEPROM
t008	Erreur de communication MODBUS (en mode de fonctionnement normal).
t010	EEPROM défectueuse
t020	Étalonnage erroné
t040	Échec de l'étalonnage en usine: température, zéro, intervalle ou jamais étalonné
t080	Défaillance du capteur de pression d'usine
t100	En dessous de la plage de mesure
t200	Sensor expired (consulter la section 5.3 REF _Ref9255893 \h Signal de fin de vie pour résoudre l'erreur)
t400	Capteur de pression défectueux
t800	Carte non testée

Tableau 5-1: Descriptions des codes d'erreur « t »

Si la défaillance revient régulièrement, vérifier que l'équipement est correctement alimenté et à la bonne tension. Si l'alimentation n'est pas à l'origine du problème et les défaillances se multiplient, il peut être nécessaire de retourner l'équipement à Macurco conformément aux présentes instructions d'utilisation.

Codes d'erreurs multiples – Si plusieurs codes d'erreur surviennent simultanément, les différents codes d'erreur seront additionnés en un seul code d'erreur combiné. Par exemple, si « t 08 » et « t 80 » se produisent simultanément, le code d'erreur sera « t 88 ».

Si la somme des chiffres, des dizaines ou des centaines, est supérieure à 9, celle-ci est représentée à l'aide du système hexadécimal (consulter le tableau 2: Conversion vers système hexadécimal, ci-dessous). Par exemple, si « t 02 » et « t 08 » se produisent au même moment, l'appareil indique « t 0A » (2 + 8 = 10 et l'équivalent hexadécimal de 10 est A). De la même façon, si « t 40 » et « t 80 » se produisent au même moment, l'appareil indique « t c0 ». Cela s'applique aux codes d'erreur « t XX » et « tYYYY ».

Nombre décimal	Représentation hexadécimale affichée à l'écran
10	A
11	b
12	c
13	d
14	E
15	F

Tableau 5-2 – Conversion vers système hexadécimal

5.2 Empoisonnement du capteur

Contrairement aux capteurs catalytiques et électrochimiques traditionnels, les capteurs IR utilisent une source lumineuse et un récepteur pour détecter un gaz spécifique. Par conséquent, le capteur est moins susceptible d'être affecté par des inhibiteurs ou du poison, ce qui augmente considérablement la sécurité et la durée de vie du capteur.

5.3 Signal de fin de vie

Le capteur infrarouge non remplaçable (capteur IR) du CD-6B a une durée de vie particulièrement longue. Quinze (15) ans après l'installation du CD-6B, le capteur émettra un signal de fin de vie, indiquant que le CD-6B a atteint la fin de sa vie utile moyenne. Le signal de fin de vie génère le code d'erreur « t200 »: « Sensor expired ». Consulter la section [5.1.2 Codes d'erreur « t »](#). Le signal de fin de vie peut être inhibé pendant 48 heures en appuyant sur le bouton « ENTER / TEST » ou en coupant temporairement l'alimentation de l'équipement. Le signal de fin de vie donne à l'utilisateur la possibilité de tester et/ou d'étalonner le capteur pour s'assurer qu'il fonctionne toujours avec des paramètres acceptables, bien que le capteur soit proche de sa fin de vie utile prévue. Le signal de fin de vie pourra être réduit au silence pendant 29 jours une fois émis par le CD-6B. Une fois la période de 29 jours écoulée, le CD-6B ne pourra plus être réduit au silence et l'équipement devra être remplacé.

AVERTISSEMENT

Ne pas démonter l'équipement ou tenter de réparer ou modifier l'un des composants. Cet appareil ne contient aucune pièce pouvant être changée par l'utilisateur. Le remplacement d'un composant peut considérablement réduire les performances de l'équipement.

6 Entretien

Le CD-6B ne nécessite pas beaucoup d'entretien. L'équipement comporte un analyseur de gaz non dispersifs dans l'infrarouge (NDIR) ayant une durée de vie moyenne de 15 ans (en conditions de fonctionnement normales).

Tous les entretiens et toutes les réparations concernant des produits conçus par Macurco doivent être réalisés par l'installation de fabrication Macurco appropriée. Toute réparation effectuée par une société tierce n'est pas approuvée par Macurco.

6.1 Étalonnage

Le CD-6B dispose d'une option d'étalonnage automatisé pour ajuster régulièrement la proportion d'air propre. Le CD-6B conservera ses performances s'il est exposé à une « valeur de référence en air pur » (c'est-à-dire, la plus basse concentration en air pur à laquelle le capteur est exposé) au moins une fois par semaine.

REMARQUE: Cette instruction ne s'applique que dans le cas typique d'une utilisation à l'air ambiant intérieur et la non-utilisation prolongée de l'équipement (plusieurs jours/semaines).

Si l'étalonnage automatisé en fond « Abc » est désactivé, un étalonnage manuel à intervalles réguliers doit être effectué pour conserver la précision de l'appareil de mesure (consulter la section 7 Test). L'appareil peut être réglé pour émettre des rappels d'étalonnage grâce au réglage de la période d'étalonnage « CAL » (Consulter la section 4.8.16).

6.2 Réinitialisation de la durée de vie du capteur

La durée de vie du capteur ne peut être prolongée que d'un an. Cela signifie que l'option de réinitialisation de la durée de vie du capteur ne sera plus disponible une fois la période prolongée d'un an terminée.

Après avoir réinitialisé la durée de vie du capteur, l'appareil indique toujours une erreur « t 80 »: un étalonnage est nécessaire avant de pouvoir l'utiliser pendant une année supplémentaire.

Pour réinitialiser la durée de vie du capteur,

1. Retirer la vis cruciforme sur la partie avant du CD-6B. Retirer le capot avant de l'appareil.
2. En mode normal, appuyer quatre fois sur **SUIVANT** (« **NEXT** »). L'affichage indique « **SEn** » (mode capteur).
3. Appuyer sur **Entrée** (« **Enter** »). L'affichage indique « **rSt** » (mode réinitialisation du capteur).
4. Appuyer sur **Entrée** (« **Enter** ») pour consulter l'état de réinitialisation du capteur.
5. Si la durée de vie du capteur a déjà été réinitialisée, « **don** » est affiché. Si elle n'a pas encore été réinitialisée, « **nO** » est affiché. Appuyer sur **NEXT** pour changer le réglage sur « **YES** » (clignotant).
6. Appuyer sur **Entrée** (« **Enter** ») pour valider le choix (la valeur devient ne clignote plus). Appuyer à nouveau sur **Entrée** (« **Enter** ») pour retourner au menu « **SEn** ».
7. Appuyer sur **Suivant** (« **Next** ») jusqu'à ce que « **End** » soit affiché. Appuyer alors sur **Entrée** (« **Enter** ») pour revenir à un mode de fonctionnement normal. La durée de vie du capteur est réinitialisée pour une (1) année.

6.3 Nettoyage

Le nettoyage des surfaces externes doit être effectué à l'aide d'un linge humide et d'un détergent doux ou de savon. Utiliser un aspirateur et une brosse douce pour retirer la poussière ou tout agent contaminant en dessous du capot. Ne pas nettoyer le capteur avec un dispositif à air comprimé.

ATTENTION

Éviter d'utiliser des produits de nettoyage agressifs, abrasifs et tout autre solvant organique. L'utilisation de tels substances/matériaux peuvent rayer de façon permanente les surfaces et endommager la l'afficheur, les étiquettes, le capteur ou le boîtier de l'instrument de mesure. Ce détecteur contient des bornes haute tension (100-240 V CA) qui peuvent se révéler dangereuses pour les techniciens. Seuls les techniciens qualifiés sont autorisés à ouvrir le boîtier du détecteur et à manipuler les composants du circuit interne. S'assurer que les relais du détecteur ne sont plus raccordés à l'alimentation avant d'effectuer le nettoyage de l'équipement.

7 Essais

AVERTISSEMENT

L'utilisation d'un gaz d'étalonnage certifié ayant une concentration différente de celle prévue pour le détecteur produira des résultats erronés lors d'un étalonnage ou d'un test de fiabilité du gaz d'étalonnage. Cela signifie que si les niveaux de concentration réels sont supérieurs à ceux détectés par l'équipement, l'utilisateur s'expose à une concentration de gaz potentiellement dangereuse. Pour être certain d'utiliser l'équipement de manière appropriée, consulter un responsable ou le manuel d'instructions. Il est également possible de contacter le service technique au numéro suivant: (+1)-844-325-3050

Tous les composants du CD-6B ont été étalonnés en usine et inspectés pour fonctionner de manière appropriée. En mode de fonctionnement normal, le voyant d'état DEL vert est allumé en permanence, les relais avertisseur sont en mode veille.

De façon régulière, l'appareil effectue également un autotest automatique en fonctionnement normal. Si l'équipement détecte une anomalie (tension inappropriée ou composant inutilisable), il basculera par défaut en mode Erreur. En mode Erreur, le relais avertisseur est enclenché si tFS est réglé sur « On », l'équipement affiche le code d'erreur, le voyant d'état DEL vert clignote et l'avertisseur sonore émet des sons de manière intermittente.

7.1 Essais

Avant d'effectuer un test, s'assurer que le voyant d'état DEL vert du CD-6B est allumé en permanence. S'il n'est pas allumé en permanence, ne pas effectuer les tests. Si l'équipement est en mode Erreur, contacter le représentant ou le service technique Macurco concerné pour tenter de résoudre le problème.

7.1.1 Test de fonctionnement

Un test de fonctionnement déclenche la séquence de tests suivante:

1. Avertisseur sonore – Activé pendant 3 secondes. Si l'avertisseur est réglé sur On, l'affichage indique bUZ en clignotant.
2. Relais avertisseur 1 – Excité pendant 5 secondes, affichage indique A1rt en clignotant lorsque le relais est activé (« On »).
3. Relais avertisseur 2 – Excité pendant 5 secondes, affichage indique A2rt en clignotant lorsque le relais est activé (« On »).
4. Relais avertisseur 3 – Excité pendant 5 secondes, affichage indique A3rt en clignotant lorsque le relais est activé (« On »).

REMARQUE: Si un réglage de relais d'alarme a été désactivé « diS », il n'apparaîtra pas dans la séquence de test de fonctionnement.

Pour effectuer un test de fonctionnement,

1. Enlever l'unique vis au centre du capot avant du CD-6B.
2. Retirer le capot avant.
3. Observer l'état du voyant DEL sur la partie avant du CD-6B. Si le voyant lumineux est allumé (vert, fixe), passer à l'étape 5.
4. Si le voyant d'état DEL vert est éteint ou clignote, consulter la section « Informations générales » ci-dessus.
5. Repérer le bouton « ENTER/TEST » situé à gauche de la carte de circuit imprimé. Appuyer sur **ENTRÉE/TEST** (« **ENTER/TEST** »).
6. Le CD-6B fait alors l'objet d'un test de fonctionnement tel que décrit ci-dessus.
7. Lorsque la phase de test est terminée, remonter l'appareil.

7.1.2 Test de fonctionnement manuel

Cette option donne à l'utilisateur la possibilité de tester manuellement l'avertisseur sonore (bUZ), le relais avertisseur 1 (A1rt), le relais avertisseur 2 (A2rt), le relais avertisseur 3 (A3rt), et la réponse du capteur au gaz (gtS).

Au cours de chaque test, les événements suivants se produisent:


- **bUZ** — Test de l'avertisseur sonore, 3 secondes. Si l'avertisseur est réglé sur On, l'affichage indique bUZ en clignotant.
- **A1rt** – Test du relais avertisseur 1, excité pendant 5 secondes, affichage indique A1rt en clignotant.
- **A2rt** – Test du relais avertisseur 2, excité pendant 5 secondes, affichage indique A2rt en clignotant.
- **A3rt** – Test du relais avertisseur 3, excité pendant 5 secondes, affichage indique A3rt en clignotant.
- **gtS** – Test de gaz, 3 minutes, l'affichage alterne entre « gtS » la concentration de gaz réelle, la LED verte clignote, les relais ne sont pas déclenchés par la concentration en gaz mesurée, la LED verte continue de clignoter pendant une minute puis devient vert fixe

REMARQUE: Si un réglage de relais avertisseur a été désactivé « diS », l'option de test n'est pas disponible dans le menu de test.

Pour effectuer un test de fonctionnement manuel,

1. En mode de fonctionnement normal, appuyer 2 fois sur le bouton **Suivant** (« **Next** ») pour accéder au mode Test (tSt).
2. Appuyer une fois sur le bouton **Entrée** (« **Enter** ») pour accéder au menu Test.
3. Appuyer sur « Suivant » (« **NEXT** ») pour faire défiler les cinq options de test.
4. Appuyer sur **Entrée** (« **Enter** ») pour lancer le test sélectionné.
5. Une fois le test terminé, l'affichage revient à un affichage permanent.
6. Appuyer sur **Suivant** (« **Next** ») jusqu'à ce que « End » soit affiché pour quitter le menu de test.
7. Appuyer sur **Entrée** (« **Enter** ») pour revenir au mode de fonctionnement normal.

7.2 Kit de calibrage

 AVERTISSEMENT
<p>Les étapes suivantes doivent être réalisées lors d'un étalonnage et d'un test de fiabilité de gaz d'étalonnage pour assurer le bon fonctionnement de l'équipement de surveillance. Le non-respect des consignes peut nuire aux performances de l'équipement.</p> <ul style="list-style-type: none">• Lors étalonnage ou d'un test de fiabilité d'étalonnage, il est important que seul le gaz d'étalonnage certifié avec un niveau de concentration approprié soit utilisé.• Ne pas tenter d'utiliser un gaz d'étalonnage expiré.• Ne pas recouvrir, ou obstruer la visibilité de l'affichage ou de l'avertisseur visuel du boîtier.• S'assurer que les orifices d'entrée du capteur ne sont pas obstrués et ne contiennent pas de débris. <p>Le non-respect des instructions précisées dans le présent manuel peut causer un empoisonnement grave, voire mortel.</p>

Un kit d'étalonnage sur site (CD6B-FCK) est nécessaire pour réaliser un étalonnage sur site. Des kits sont disponibles dans les structures de distribution locales.

- Bouteille de gaz –
 - (1) 17L concentration en dioxyde de carbone (CO₂) de 400 ppm dans l'air
 - (2) 17L concentration en dioxyde de carbone (CO₂) de 5 % vol dans l'air
- Régulateur de gaz 0,2 LPM
- Environ 60 cm (2 pi) de tuyaux

- Adaptateur d'étalonnage CD-6-CH
- Boîtier de transport

Informations relatives au FCK

Plusieurs détecteurs peuvent être calibrés avec un FCK. La capacité de la bouteille est la seule véritable limite qui existe. Une bouteille de 17 litres permet un étalonnage continu de l'appareil pendant environ 85 minutes. Des bouteilles de rechange sont disponibles. La bouteille de gaz doit être remplacée lorsque le manomètre du régulateur indique 25 PSI (1,72 bar) ou moins, ou lorsqu'elle a atteint sa date d'expiration.

REMARQUE: Pour obtenir des résultats d'étalonnage optimaux, il est recommandé d'utiliser l'équipement dans un endroit avec de l'air pur, que le voyant lumineux vert soit allumé et que le débit d'air ambiant soit faible.

REMARQUE: Le CD-6B doit être testé ou étalonné à intervalles réguliers conformément aux exigences de la National Fire Protection Association (NFPA) 720 ou de la réglementation locale. Il est recommandé de tester ou d'étalonner le CD-6B au moins une fois par an.

7.3 Test au gaz

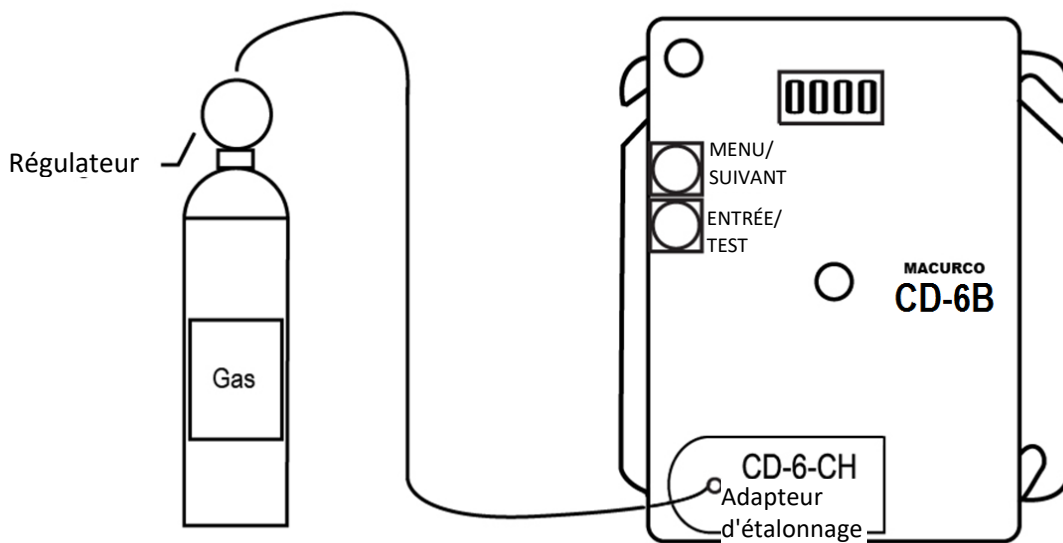


Figure 7-1 Raccord pour étalonnage (CD-6B)

7.3.1 Test des relais avertisseur

REMARQUE: La concentration de CO₂ nécessaire pour activer les relais avertisseur dépend des réglages desdits relais.

1. Raccorder la bouteille de dioxyde de carbone à 5 % de vol au régulateur.
2. Vérifier le manomètre sur le régulateur. Si la valeur indiquée est inférieure ou égale à 25 PSI (1,72 bar), la bouteille de gaz doit être remplacée. Vérifier la date d'expiration sur la bouteille de gaz. Si elle est dépassée, remplacer la bouteille.
3. Placer l'adaptateur de test sur le capteur CO₂. Allumer le régulateur pour insuffler un débit de gaz.
4. Les relais avertisseur devraient s'enclencher conformément aux réglages spécifiés.

5. Si l'affichage est activé (« On ») et la concentration en CO₂ a atteint le réglage de l'avertisseur 1, l'affichage alterne entre la concentration en gaz réelle et « ALr1 ». L'avertisseur sonore retentira et indiquera « Avertisseur » (« Alarm ») s'il est activé (« On »). Si la fonction d'affichage est désactivée, l'affichage n'indiquera pas la concentration en CO₂ mais affichera l'écran du ventilateur (« ALr1 ») tant que le relais avertisseur sera enclenché.

REMARQUE: Si le relais avertisseur ne fonctionne pas au bout de 2 minutes, il y a quatre possibilités:

- a. Le relais avertisseur du détecteur est désactivé (diS). Régler le relais avertisseur souhaité sur 1,5 %, puis refaire le test.
 - b. La bouteille de gaz est vide, vérifier le manomètre. Remplacer la bouteille de gaz si la pression est inférieure ou égale à 1,7 bar/25 PSI.
 - c. Étalonner l'appareil (étalonnage automatisé en fond ou étalonnage manuel) puis refaire un test.
 - d. Le détecteur doit faire l'objet d'un entretien (retourner l'équipement à l'usine).
6. Retirer le gaz du capteur et remettre le capot supérieur en place.

7.3.2 Test avec un aérosol

Macurco ne propose actuellement aucune option sous la forme d'aérosol pour tester le CD-6B.

7.4 Étalonnage sur site

Si l'étalonnage automatisé en fond est désactivé, un étalonnage manuel périodique sur site sera nécessaire. Le CD-6B dispose d'un menu de niveau supérieur « CAL » qui peut être utilisé pour effectuer un étalonnage sur site.

REMARQUE: Le menu « CAL » n'est pas disponible lorsque « Abc » est activé (« On »).

7.4.1 Procédure d'étalonnage sur site

Pour obtenir des résultats d'étalonnage optimaux, utiliser l'équipement dans un endroit avec de l'air pur et que le débit d'air ambiant soit faible.

Pour effectuer un étalonnage sur site,

1. Retirer la vis cruciforme sur la partie avant du CD-6B. Retirer le capot avant.
2. Ouvrir le kit d'étalonnage sur site Raccorder la bouteille de dioxyde de carbone à 400 ppm au régulateur.
3. Vérifier le manomètre sur le régulateur. Si la valeur indiquée est inférieure ou égale à 25 PSI (1,72 bar), la bouteille de gaz doit être remplacée. Vérifier la date d'expiration sur la bouteille de gaz. Si elle est dépassée, remplacer la bouteille.
4. Assembler le régulateur, le tuyau et l'adaptateur d'étalonnage et placer ce dernier sur le capteur CO₂.
5. Allumer le régulateur pour insuffler un débit de gaz, puis attendre que le gaz circule de manière continue.
6. Appuyer trois fois sur le bouton **MENU/SUIVANT** (« **MENU/NEXT** ») du détecteur pour accéder au menu « CAL ».
7. Appuyer sur le bouton **ENTRÉE/TEST**.
8. L'affichage indique « tSC » (si l'étalonnage automatisé en fond « Abc » est désactivé). Appuyer sur **MENU/SUIVANT** (« **MENU/NEXT** ») pour passer à « Spn ».
9. Appuyer sur **ENTRÉE/TEST** (« **ENTER/TEST** »).
10. L'étalonnage commence et la séquence suivante est observée:
 - a. « c119 » et « 0.04 » clignotent et le témoin d'état DEL vert clignote, la valeur après « c » diminue de 2 de manière intermittente.
 - b. Après c90, l'affiche alterne entre la concentration en gaz réelle mesurée et c90, dont la valeur (après c) diminue de 2 de manière intermittente.

- c. Au bout de 2 minutes, l'afficheur indiquera successivement « CAL7 », « CAL6 », « CAL5 », « CAL4 », « CAL3 », « CAL2 », « CAL1 ».
 - d. L'affichage alterne entre « PASS » et « 0.04 » après un étalonnage sur site réussi.
 - e. La LED verte clignote encore pendant 1 minute.
 - f. Lorsque le voyant d'état DEL est vert (fixe) , l'affichage indique de nouveau la concentration en gaz réelle.
11. Si l'étalonnage échoue, l'affichage alterne pendant 30 secondes entre la concentration en gaz et « FAil ».

REMARQUE: Le code d'erreur Étalonnage erroné (« Bad calibration ») ne peut être résolu qu'après avoir étalonné correctement le capteur.

En cas d'échec de l'étalonnage, vérifier le manomètre sur le régulateur. Si la pression est inférieure à 1,7 bar/25 PSI, il est possible que le débit de gaz soit insuffisant pour étalonner l'équipement. S'il y a suffisamment de pression dans la bouteille de gaz, repartir de l'étape 5 jusqu'à l'étape 12. Si l'étalonnage de l'équipement échoue à deux reprises, contacter le service technique. (+1)-844-325-3050.

REMARQUE: Il est impératif de confirmer que 400 ppm de CO₂ est utilisée pour l'étalonnage.

12. Une fois l'étalonnage terminé, interrompre l'alimentation en gaz et débrancher la bouteille du régulateur.
13. Re-assembler le CD-6B (s'assurer que le voyant lumineux est aligné avec le trou dans le capot avant).
14. Consulter le diagramme d'étalonnage à l'intérieur du boîtier, ou à la section [9.5 Menu CAL](#).

7.4.2 Temps écoulé depuis dernier étalonnage

Le CD-6B enregistre le temps écoulé depuis le dernier étalonnage.

REMARQUE: Le temps écoulé depuis le dernier étalonnage « tSC » n'est visible que si l'option « Abc » du menu de configuration (voir section 4.8.15) est réglée sur « OFF ».

Pour afficher le temps écoulé depuis le dernier étalonnage,

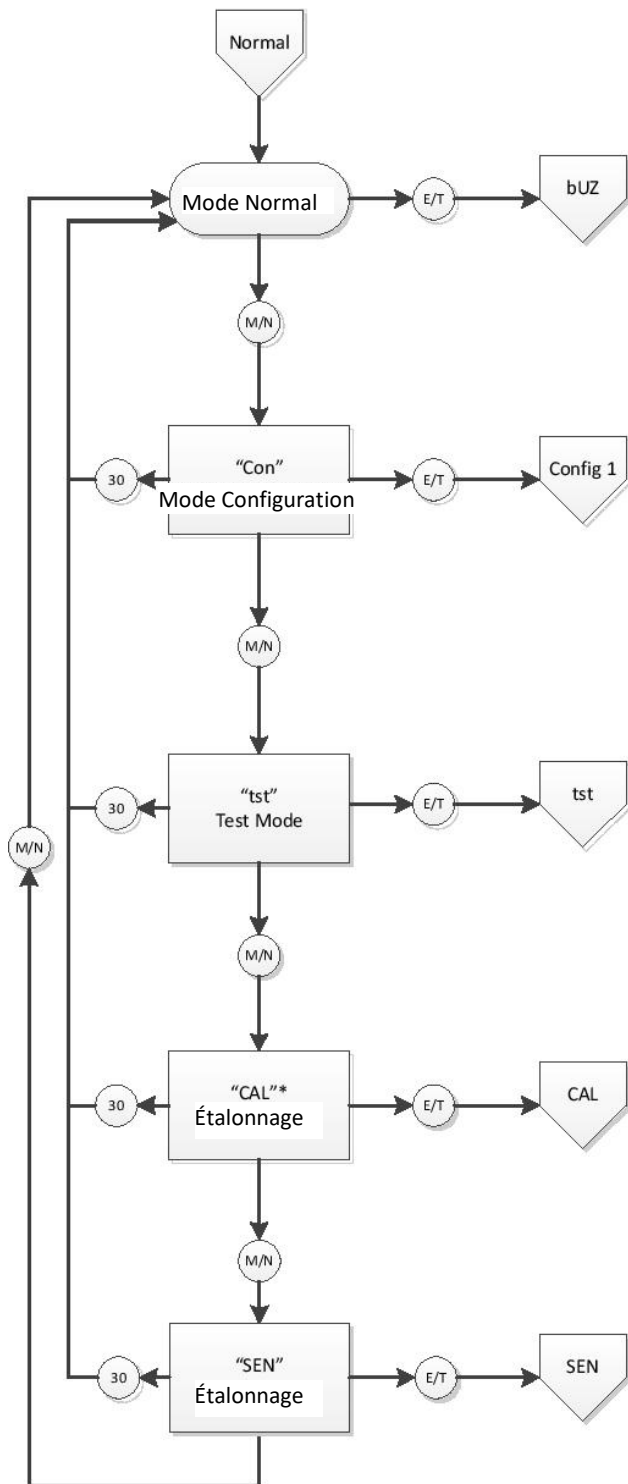
1. Appuyer trois fois sur **MENU/SUIVANT** (« **MENU/NEXT** »). pour accéder au menu « CAL ».
2. Appuyer sur **ENTRÉE/TEST** (« **ENTER/TEST** »).
3. L'affichage indique « tSC » (seulement si l'étalonnage automatisé en fond « Abc » est désactivé). Appuyer sur **ENTRÉE/TEST** (« **ENTER/TEST** »).
4. L'affichage indique la durée écoulée depuis le dernier étalonnage. La valeur est affichée dans le format suivant: « Y.MM ». « Y » correspond au nombre d'années et « MM » au nombre de mois. Par exemple, la durée « 1 an et 6 mois » sera affichée sous la forme « 1.06 ».
5. Appuyer sur **ENTRÉE/TEST** (« **ENTER/TEST** ») pour revenir au menu « CAL ».

8 Annexe A – Tableau des figures

Figure 3-2: Vue arrière du CD-6B.....	9
Figure 3-3: Schéma électrique du CD-6B dans le cadre d’une installation typique	10
Figure 3-4: Disposition d’installation typique d’un CD-6B	10
Figure 3-5: Schéma de circuit avec plusieurs appareils (CD-6B)	11
Figure 3-6: Schéma du panneau de commande de l’avertisseur (CD-6B).....	11
Figure 3-7: Schéma du panneau de commande de l’avertisseur alternatif (CD-6B).....	12
Figure 3-8: Branchements de l’avertisseur sonore/visuel (CD-6B)	12
Tableau 4-1: Paramètres par défaut	17
Figure 4-1: Vue de la carte	17
Tableau 5-1: Descriptions des codes d’erreur « t ».....	24
Tableau 5-2 – Conversion vers système hexadécimal.....	24
Figure 7-1 Raccord pour étalonnage (CD-6B).....	29

9 Annexe B – Structure du menu

9.1 Menu principal



REMARQUES:

1. Les réglages du capteur sont disponibles sur la feuille de calcul des réglages du capteur. Tous les réglages ici ne sont donnés qu'à titre d'exemple.
2. ROUGE indique les modifications sont apportées à la configuration.
3. Les informations entre guillemets (« ») correspondent aux valeurs indiquées sur l'affichage. Lorsque deux chaînes entre guillemets sont séparées par une barre oblique (par exemple « /_On »), cela signifie que les deux chaînes sont alternées.

Bouton Menu/Next

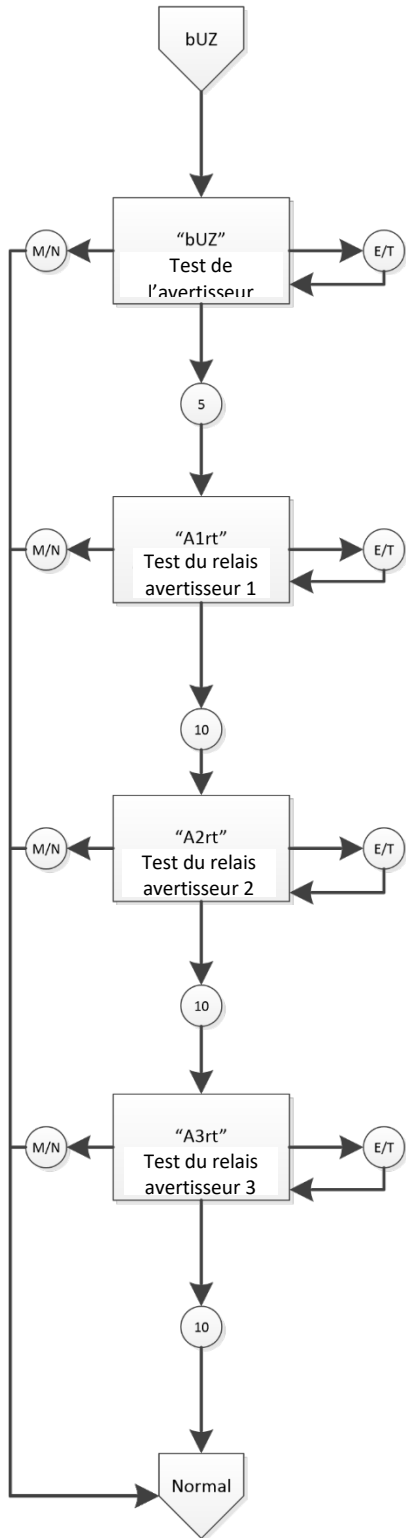
Bouton Enter/Test

Attendre pendant 30 secondes

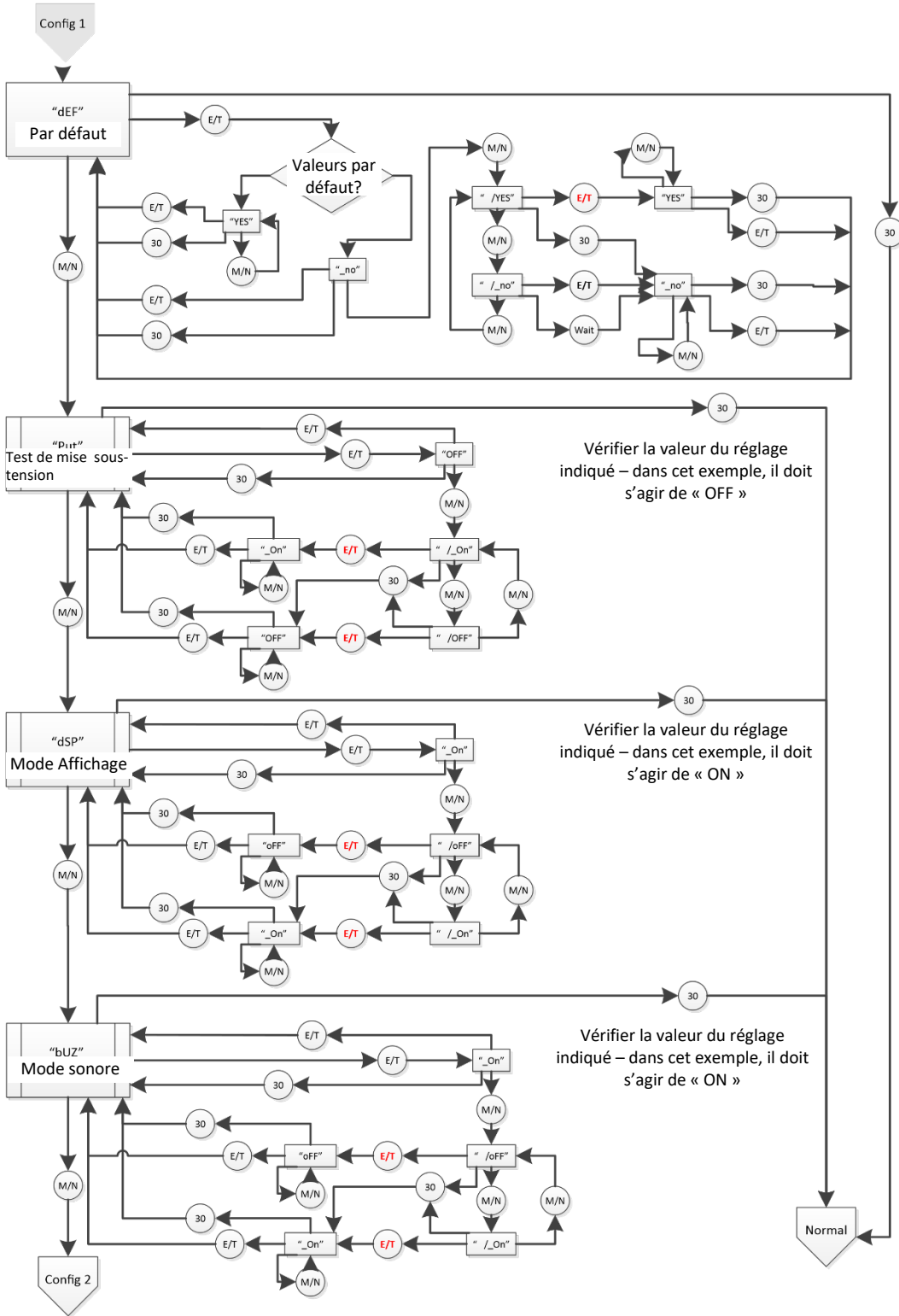
Attendre pendant xx secondes

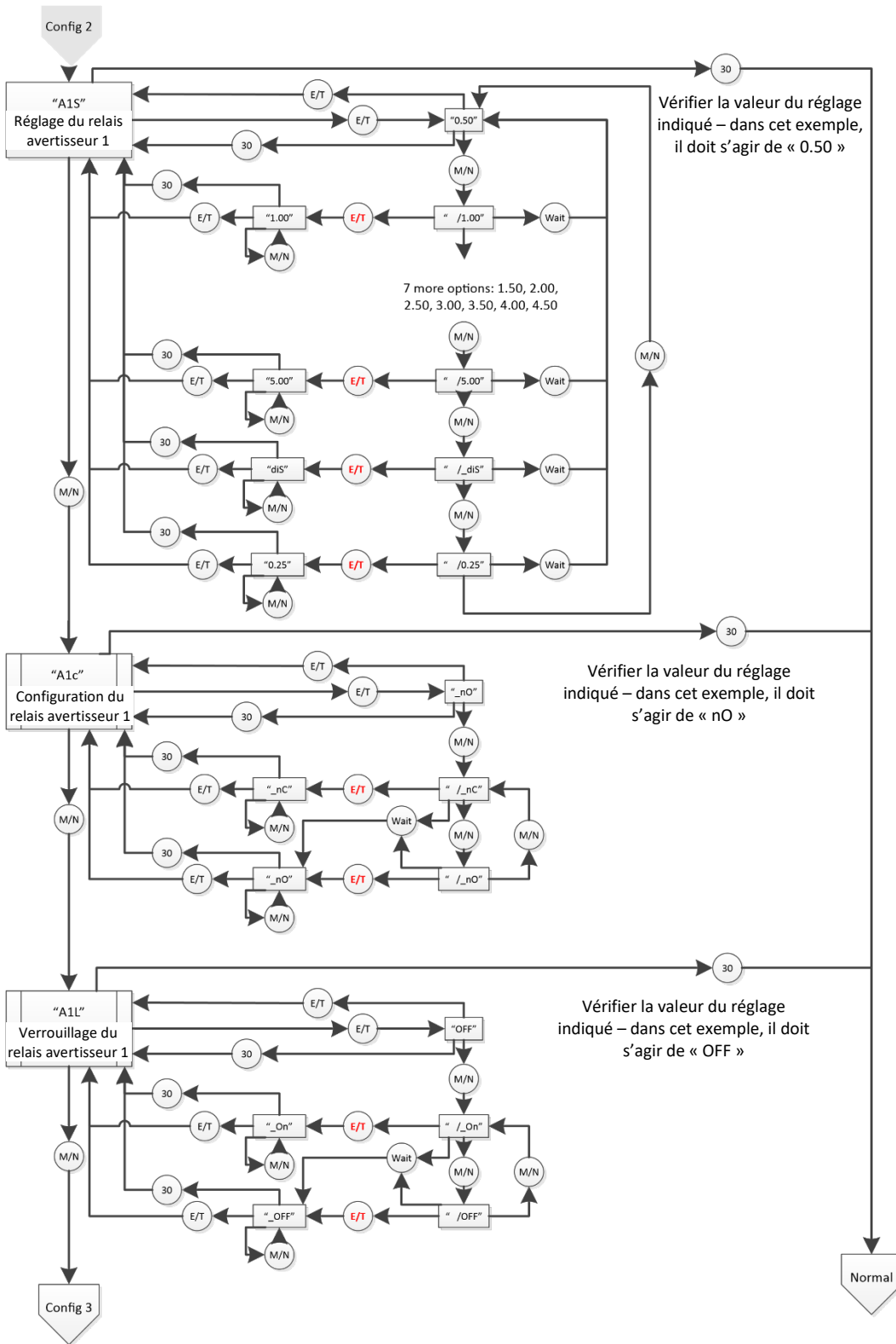


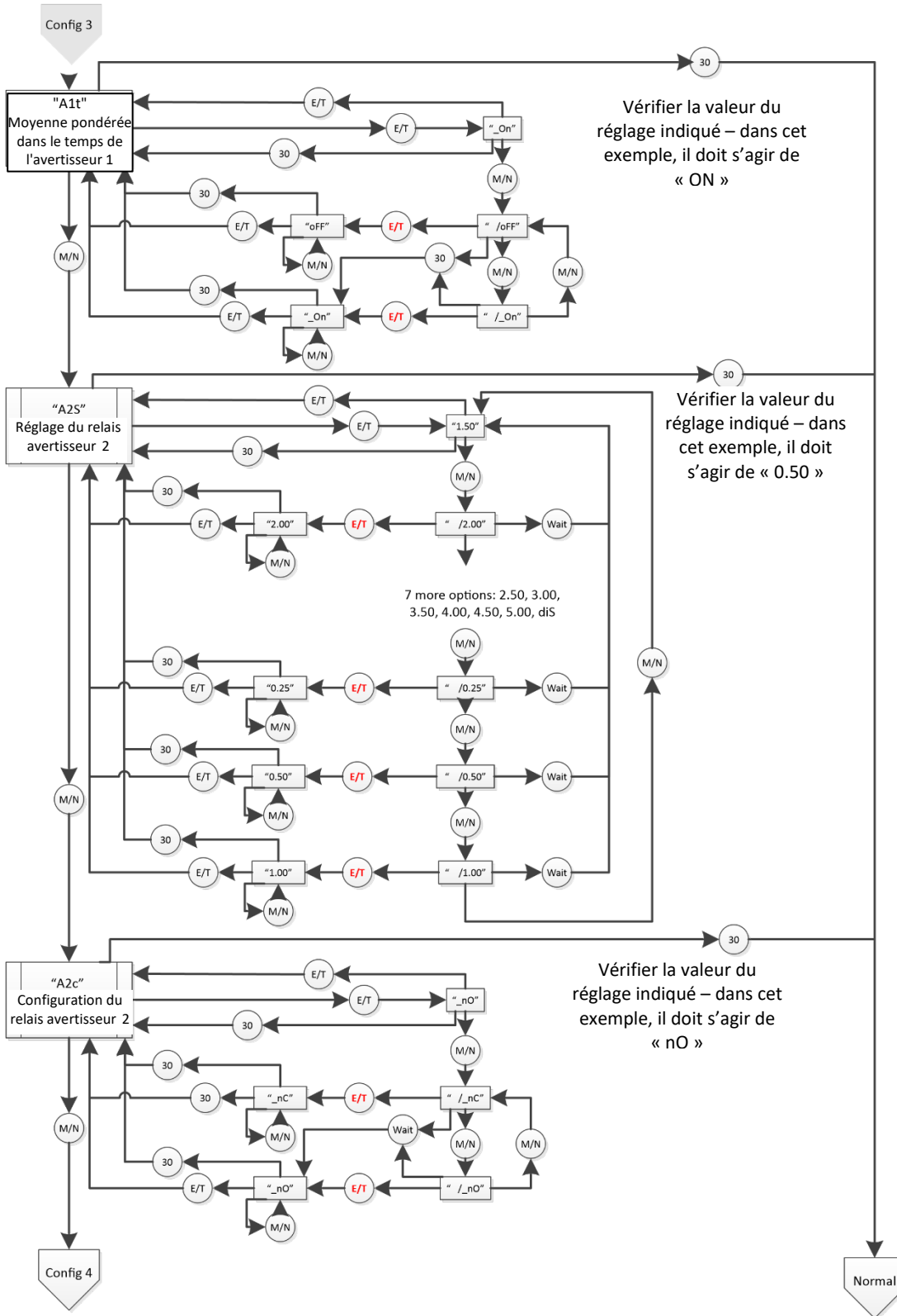
9.2 Menu d'autotest « bUZ »

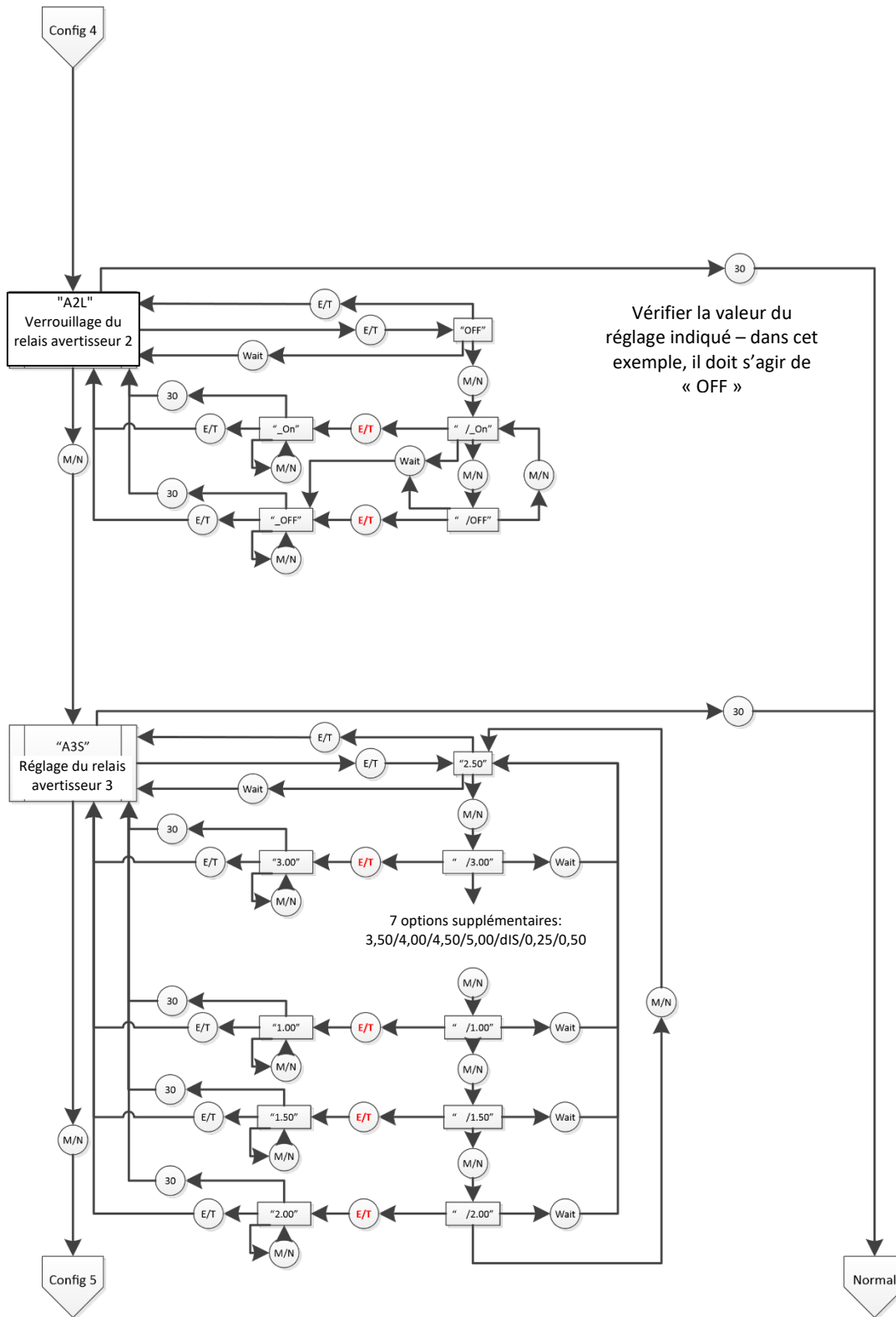


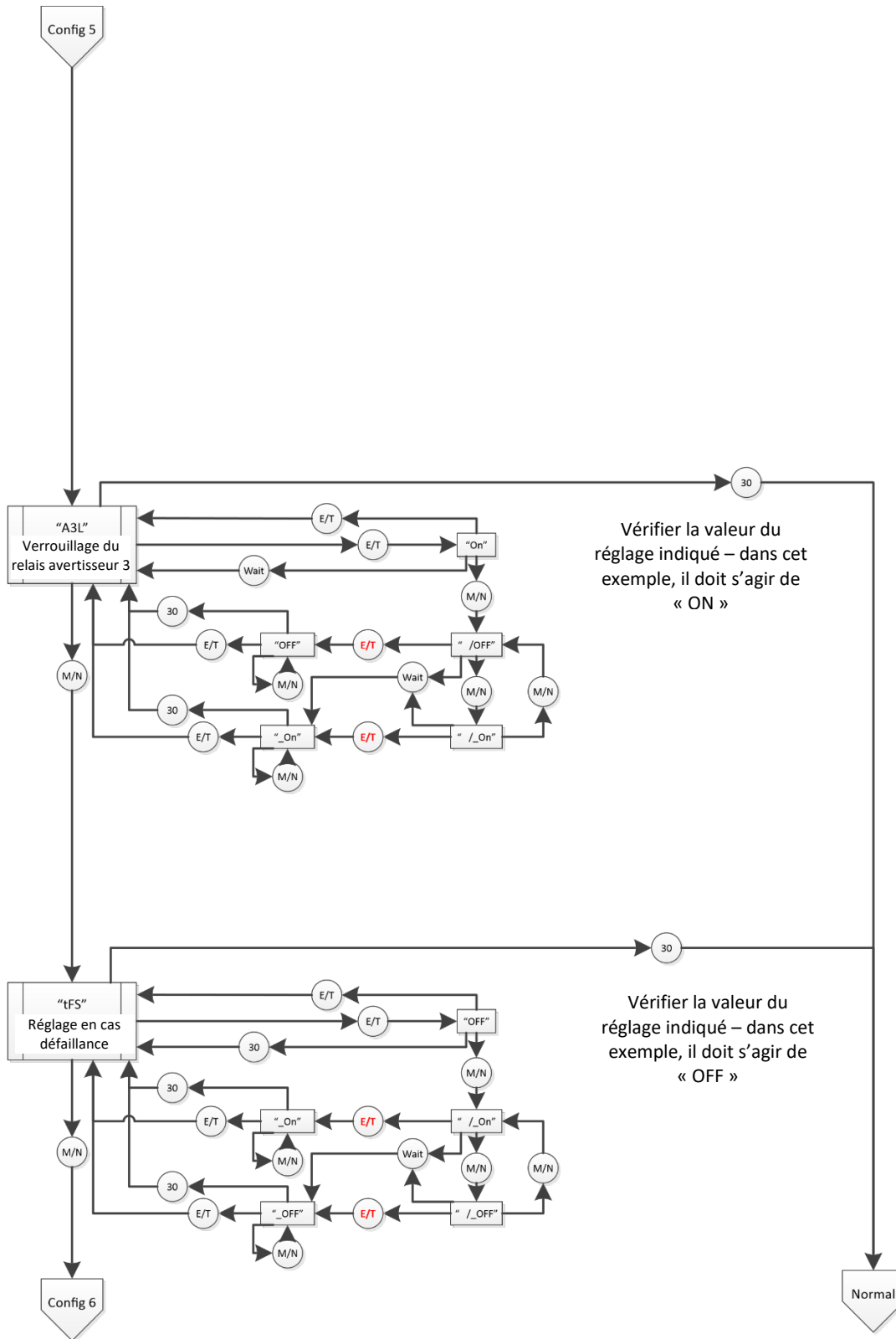
9.3 Menu de configuration « CON »

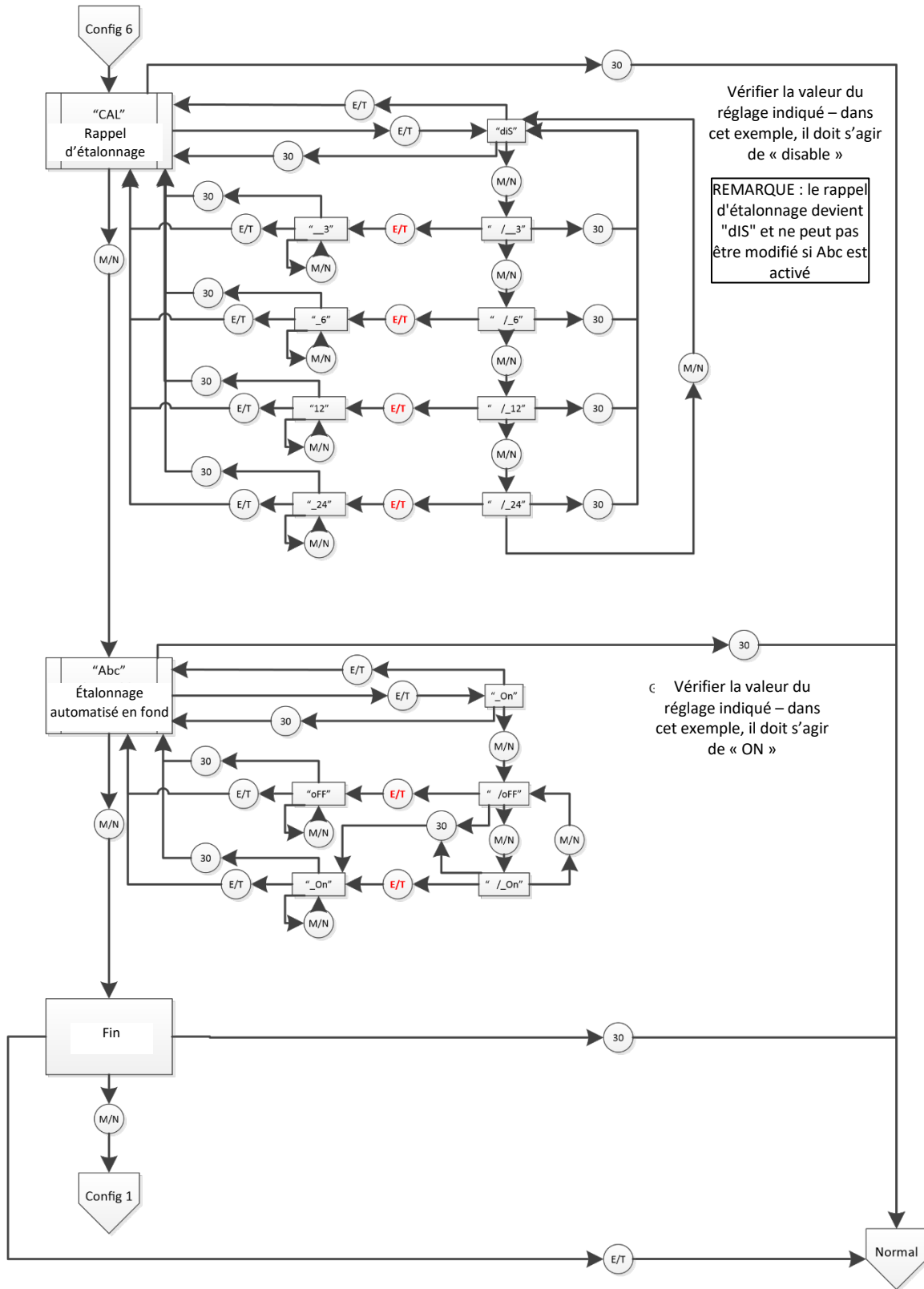




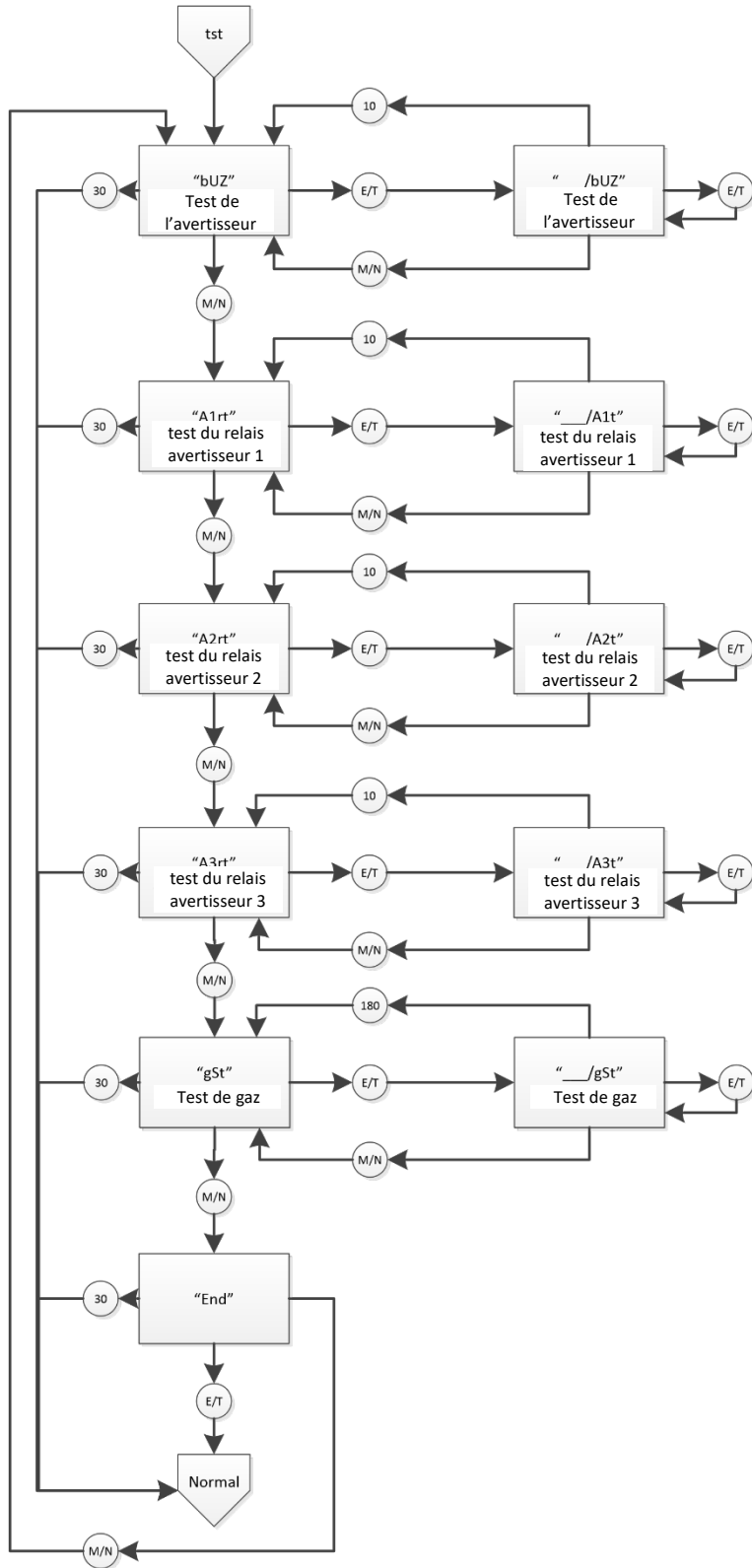




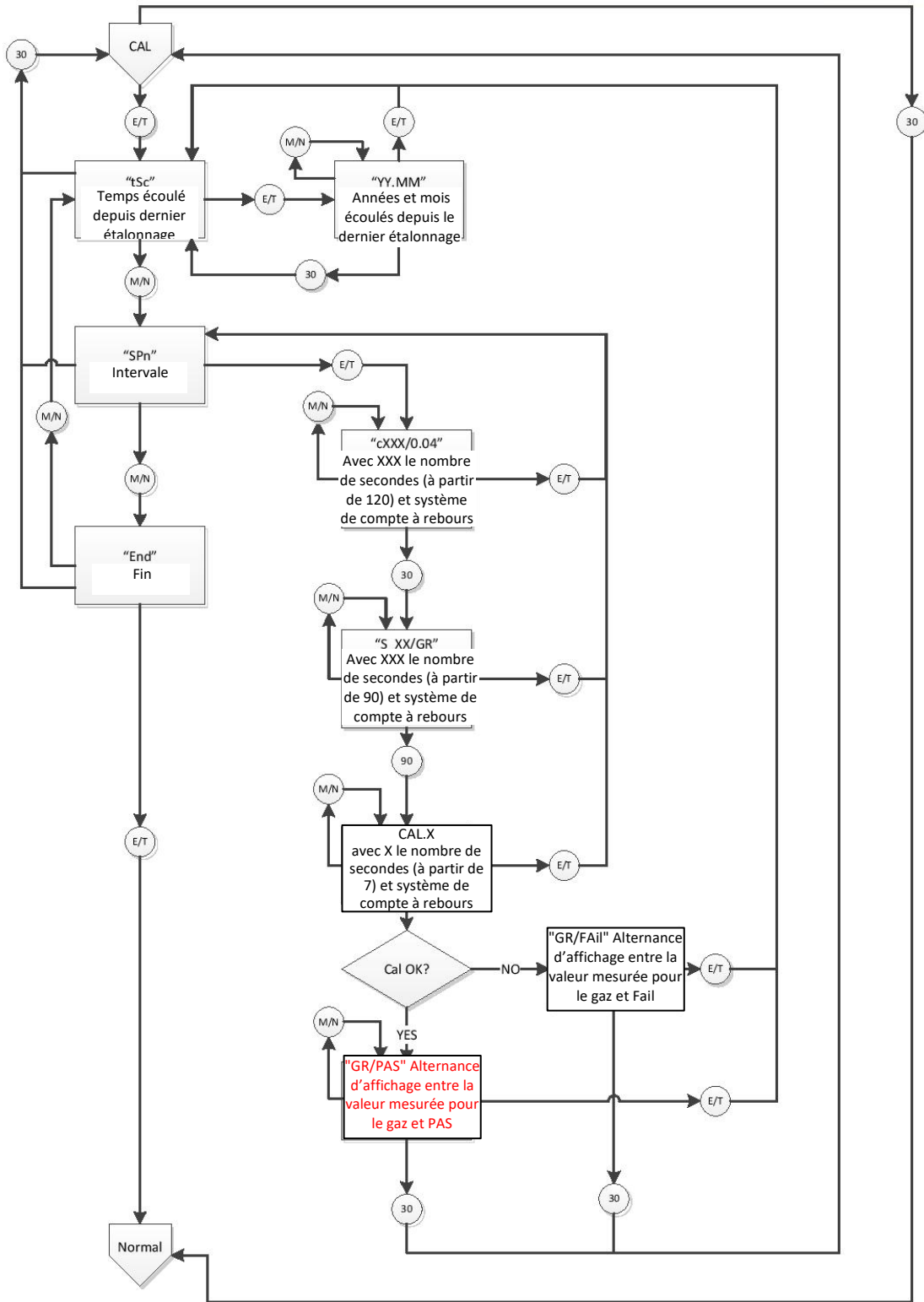




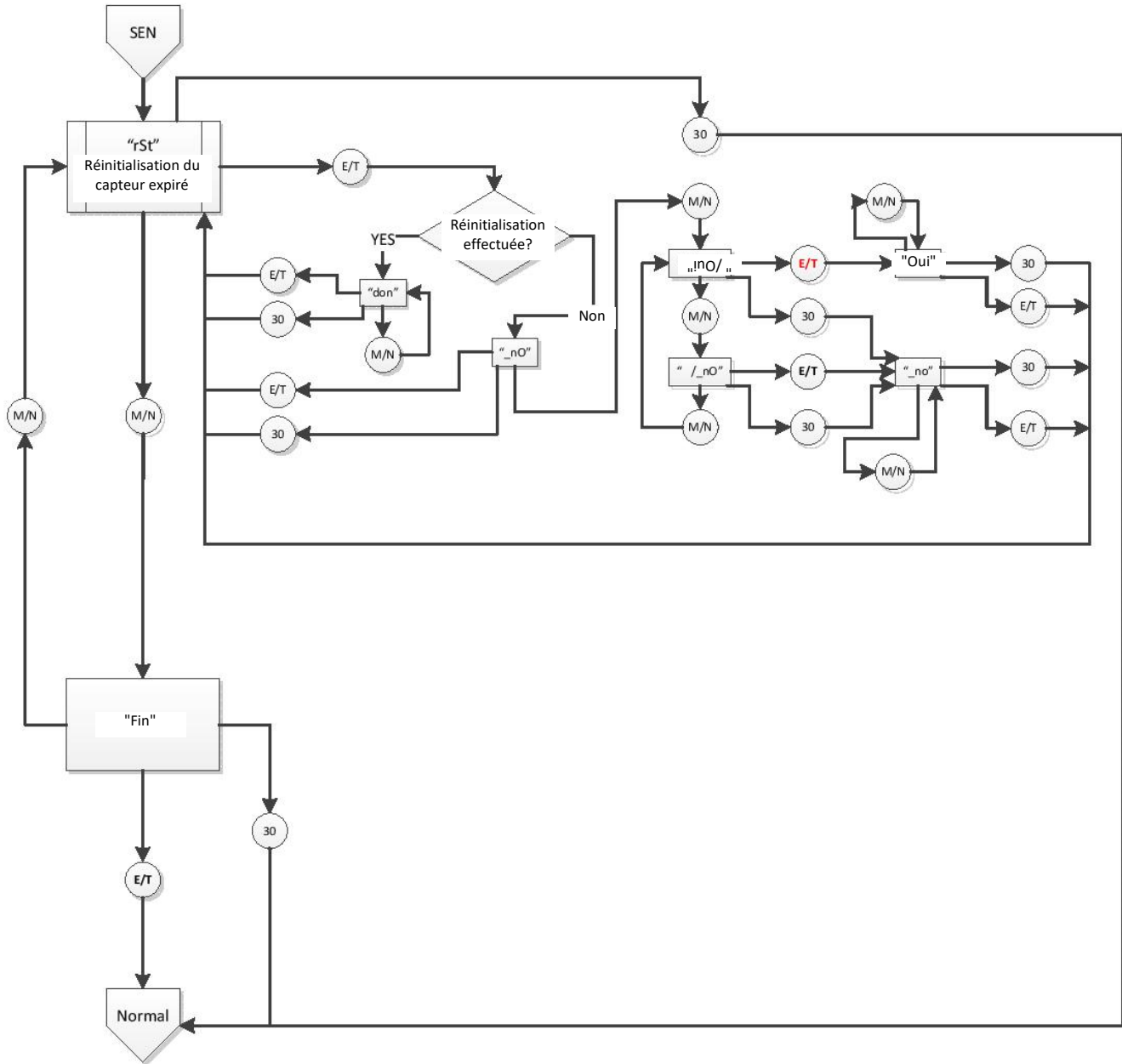
9.4 Menu de sélection de test « tst »



9.5 Menu étalonnage « CAL »



9.6 Menu réinitialisation du capteur « SEN »



10 Garantie limitée des détecteurs de gaz Macurco

Macurco garantit que le détecteur de gaz CD-6B sera exempt de défauts de matériaux et de fabrication pendant une période de deux (2) ans à compter de la date de fabrication (indiquée sur le capot intérieur du CD-6B), pourvu qu'il soit entretenu et utilisé conformément aux instructions et/ou recommandations de Macurco. Si un composant devient défectueux pendant la période de garantie, il sera remplacé ou réparé gratuitement si l'équipement est retourné conformément aux instructions ci-dessous. Cette garantie ne s'applique pas aux équipements qui ont été modifiés ou réparés, ou qui ont fait l'objet d'un mauvais usage, d'un mauvais traitement, de dommages accidentels ou délibérés ou autres. La garantie ci-dessus remplace toute autre garantie, obligation ou responsabilité expresse. LES GARANTIES IMPLICITES DE QUALITÉ MARCHANDE ET D'ADAPTATION À UN USAGE PARTICULIER SONT LIMITÉES À UNE PÉRIODE DE DEUX (2) ANS À COMPTER DE LA DATE D'ACHAT. Macurco n'est pas responsable des dommages accessoires ou consécutifs découlant de la violation de la présente garantie ou de toute autre garantie, expresse ou implicite, découlant de l'utilisation dudit détecteur de gaz ou s'y rapportant. La responsabilité du fabricant ou de son agent est limitée au remplacement ou à la réparation comme indiqué ci-dessous. Les seuls et uniques recours de l'acheteur sont le retour des marchandises et le remboursement du prix, ou la réparation et le remplacement des marchandises ou pièces non conformes.

Détecteur de gaz Macurco

3601 N. St. Paul Avenue
Sioux Falls, SD 57104

Coordonnées du service technique

Téléphone: (+1) 844-325-3050
Télécopie: (+1)-605-951-9616
Courriel: support@macurco.com
Site internet: www.support.macurco.com

Coordonnées

Téléphone: (+1)-877-367-7891
Télécopie: (+1)-605-951-9616
Courriel: info@macurco.com
Site internet: www.macurco.com

Rév – 1.0

Date de publication: 25-06-2019

Référence document: 34-2900-0510-2

© Aerionics 2019. Tous droits réservés.

Macurco est une marque commerciale de Aerionics, Inc.

