



Installation Guide

Purpose of this Guide

This guide provides information and procedures for the product installation and operation of the Single Port Wall Plug Power over Ethernet (PoE) Midspan Injector (LP-2515). This document is intended for the technical personnel responsible for installing and operation of Power over Ethernet products in a Local Area Network (LAN) environment. To use this document effectively, you should have working knowledge of Local Area Networking (LAN) concepts and hardware installation. In addition, you should be familiar with the following: connection of patch Cables with RJ45 connectors and the LAN addressing map of your particular Network, mounting of network hardware and cables and local practices for power cord connections.

IMPORTANT SAFETY INSTRUCTIONS

Read and keep these instructions. Follow all instructions and heed all warnings. Do not use this equipment near water and clean only with a dry cloth. Do not block any equipment ventilation openings. Install in accordance with these instructions. Do not install near any heat sources such as radiators, heat registers, stoves, or any other apparatus (including amplifiers) that produce heat. Do not defeat the safety purpose of the polarized or grounding type plug. A polarized plug has two blades with one wider than the other. The Mains Clip has two blades and will fit into a standard Mains Outlet—DO NOT force the clips into any outlet. Unplug this equipment during lightning storms or when unused for long periods of time. Refer all servicing to qualified service personnel. Servicing is required the equipment has been damaged in any way, such as power cord or plug damaged, liquid has been spilled, or object has fallen into the equipment, the equipment has been exposed to rain or moisture, does not operate normally, or has been dropped. The AC mains outlet, or appliance coupler shall be readily available to the operator as a means of power disconnection.

WARNING - Only connect equipment to mains power outlet having protective earthing or grounding connection. To reduce the risk of fire or electric shock, do not expose this equipment to rain or moisture.

CAUTION - These servicing instructions are for use by qualified service personnel only. To reduce the risk of electric shock, do not perform any servicing other than that contained in the operating instructions unless you are qualified to do so.

If You Need Help or additional support relating to the contents of this Guide, please contact LAN-Power at **+1 (510) 275-4572** or more information can be found at www.lan-power.com

Before contacting LAN-Power for technical support, please have the following information ready: Your product model number and unit serial number. A description of the failure or symptoms of problem. A description of any action(s) already taken to resolve the problem (e.g. changing ports, rebooting the unit, etc.). The type of End Device being powered including Manufacturer name and part number. Powering requirements of end device. A description of your Network environment (layout, Ethernet switch description, cable type(s), etc.). The unit history (i.e. has the unit been returned before, is this a recurring problem, etc.)



Please note that only qualified personnel should install this unit and read instructions before attempting to install unit



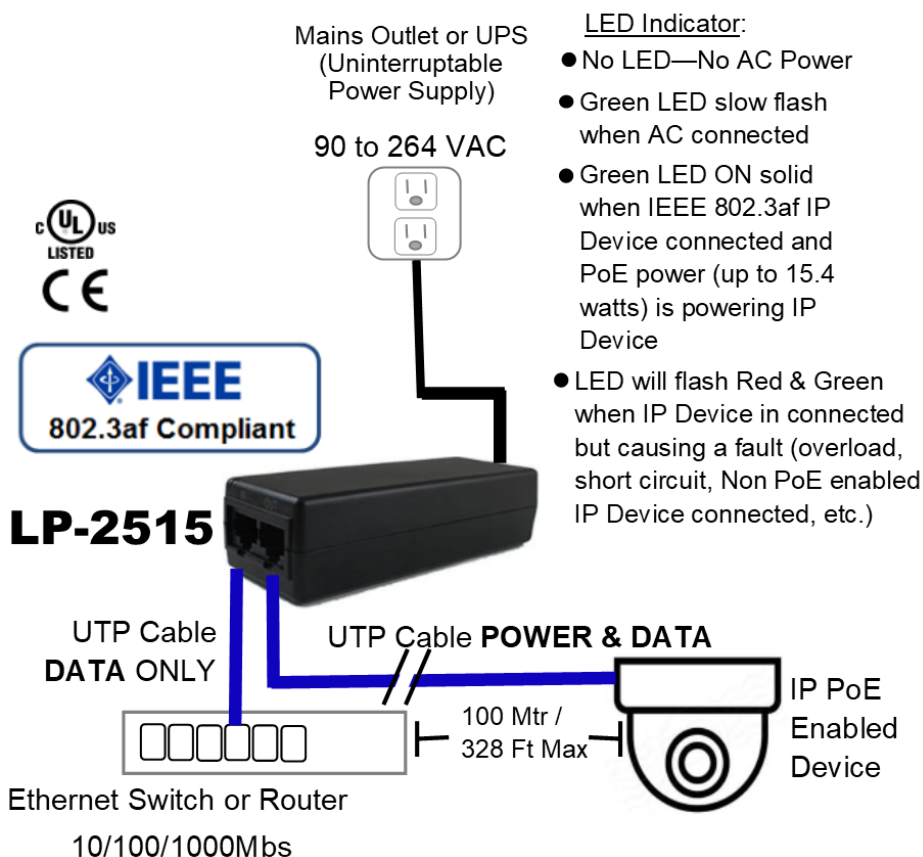
Verifying Contents of Package - Unpack the PoE Injector and verify that you have all the following items: LP-2515 Single Port Power over Ethernet GIGABIT Injector base unit and AC Mains Power Cord and this Installation Guide.

Technical Considerations - Before you mount the PoE Injector to a fixed location, consider all the following: determine optimal placement, check patch cord routing and AC outlet location. Collect and document Network information as required. ENSURE the cable length from the Ethernet Network Switch to the powered IP enabled end device does not exceed 328 feet / 100 meters total length including all cables and connections. **NOTE:** The PoE Injector IS NOT a repeater and DOES NOT amplify the Ethernet data signal. The Injector must be used in conjunction with an Ethernet Switch.

Installing and Powering Up the Injector

- 1.) Insert the AC Mains Power Cord into the top of the PoE Injector
- 2.) Plug the AC Mains Power Cord into a Mains AC power source. Units are typically connected to power strip or other power outlet that may be cycled on and off. An uninterruptible power supply (UPS) may be used. This assures uninterrupted power to the end device should there be a loss of building power. The Green LED Indicator will *BLINK* slowly when AC Power is detected and unit is ready to power end device.
- 3.) Attach a LAN data cable (minimum CAT 5 cable grade) with RJ45 connector attached to the '**OUT**' (bottom right RJ45 port) of the PoE Injector with the other end of the LAN data cable connected to the IP enabled End Device. The Green LED Indicator will come on *STEADY* to indicate correct connection between the IP End Device and the PoE Injector and that the injector is providing up to 15.4 watts of PoE power to the IP End Device. This is the correct and normal operation of the PoE Injector.
- 4.) Attach a LAN data cable (minimum CAT 5 cable grade) with RJ45 connector attached (such as a patch cord) to the '**IN**' (bottom left RJ45 port) of the PoE Injector with the other end of the LAN data cable connected to the Ethernet Switch port. Data from the IP End Device will be sent thru the PoE Injector directly to Ethernet Switch.

APPLICATION OVERVIEW DIAGRAM



Two Year Limited Warranty

LAN-Power warrants to the original customer or purchaser that each of its products, and all components thereof, will be free from defects in material and/or workmanship for a period of 2 years from the original purchase date. Any warranty hereunder is extended only to the original consumer or purchaser and is not assignable. More info by contacting LAN-Power.

Notice to User

LAN-Power reserves the right to make changes in specifications and other information contained in this document and its web site without prior notice. The reader should in all cases consult LAN-Power to determine whether any such changes have been made. The hardware described in this document is subject to change without notice due to make conditions or user requirements.

Safety Approvals

The equipment meets the following safety approvals:



Rev 12-18

LAN-POWER
 Telephone: +1 (510) 275-4572
www.lan-power.com