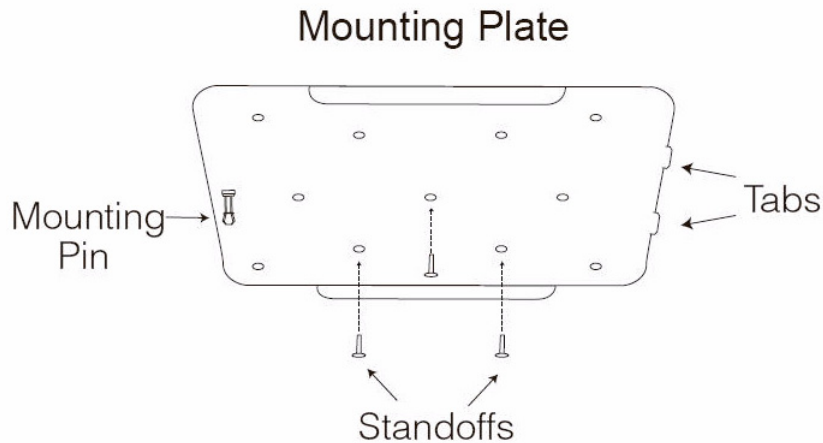


Introduction



The KT-MP200, KT-MP300, KT-MP400 and KT-MP500 mounting plates are for use with the **KT-CAB3000LDR** and **KT-CAB4000LDR** Cabinets. To install Kantech KT-300, KT-400 and KT-NCC controllers, KT-MOD-REL8 relay modules, KT-MOD-INP16 input modules and KT-MOD-OUT16 output modules, one of these plates is required. The KT-BB100 and KT-BB101 battery mounting plates are for use with the **KT-CAB3000LDR** and **KT-CAB4000LDR** Cabinets. The KT-BB100 allows a battery to be placed anywhere on the right side of any cabinet that has a center raceway. The KT-BB101 allows a battery to be placed anywhere on the left side of any cabinet. The maximum battery size is 15.24 cm (6 in) Wide x 10.16 cm (4 in) High x 7 cm (2.75 in) Deep.

Mounting Plate	Dimensions
KT-MP200 (4 per kit)	15.24 cm x 10.16 cm (6 in x 4 in)
KT-MP300 (2 per kit)	15.24 cm x 20.32 cm (6 in x 8 in)
KT-MP400 (1 per kit)	15.49 cm x 29.87 cm (6 in x 11.75 in)
KT-MP500 (1 per kit)	34.92 cm x 34.92cm (13.75 in x 13.75 in)
KT-BB100 (1 per kit)	15.24 cm x 9.5 cm x 7.0 cm (6 in x 3.75 in x 2.75 in)
KT-BB101 (1 per kit)	15.24 cm x 9.5 cm x 7.0 cm (6 in x 3.75 in x 2.75 in)

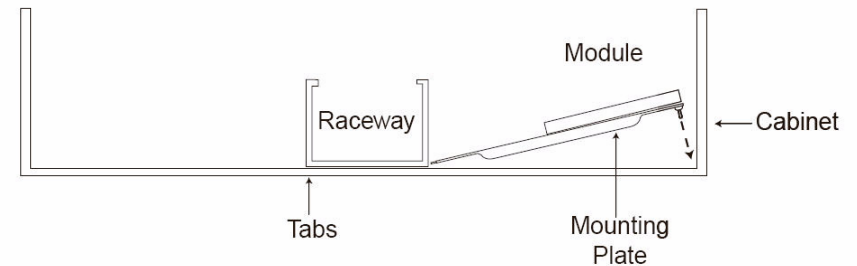
Installation Instructions (all except KT-MP500)

1 Insert the standoffs into the mounting plate, matching the hole pattern on the controller or module to be installed.

Note: Don't snap into place the controller or the module on the mounting plate until all the mounting plates are placed correctly within the cabinet. The controller or the module can be easily broken when trying to unsnap from the standoffs.

- 2 Locate a suitable mounting location for the mounting plate inside the cabinet.
- 3 Align the two mounting tabs with the holes in wire raceway. Repeat Steps 1 to 3 for each mounting plate.
- 4 Snap the controller or the module into place by pushing the opposite side towards the back of the cabinet.
- 5 Place the battery on the mounting plate.

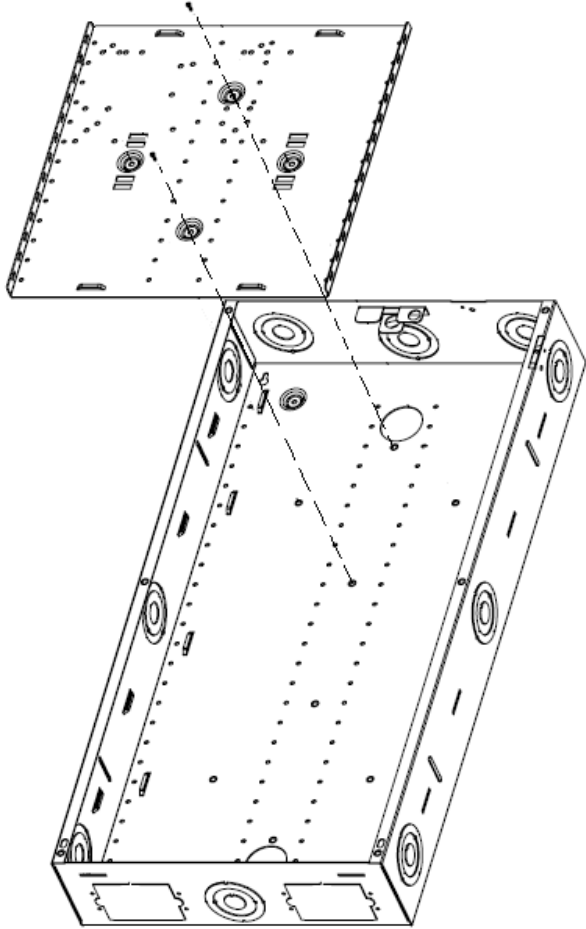
There should be a minimum spacing of 3.17 cm (1.25 in) between the top of the battery mounting plate and the mounting plate above, in order to leave enough room to remove the battery without dislodging the battery mounting plate. If two battery mounting plates are used, there should be a minimum spacing of 3.17 cm (1.25 in) between them.



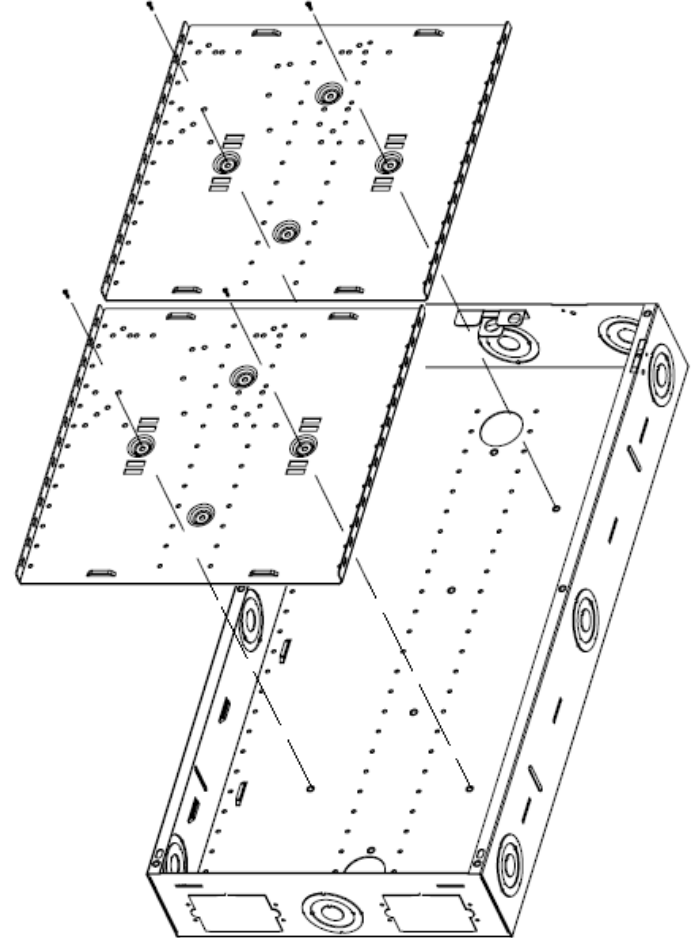
Installation Instructions (KT-MP500)

For the installation of the KT-MP500, the raceway must be removed and the mounting plate need to be secured using the screws removed from the raceway. Note that all the other mounting plates can be installed on the KT-MP500 using the side tabs. **See more instructions on the back of the page.**

KT-MP500 Case: 1. Installing one plate using holes along the longitudinal axis:



KT-MP500 Case: 2. Installing two plates using lateral holes:



KT-MP500 Case: 3. Installing two plates in a previous cabinet version without lateral holes:

- Drill four 1/8" diameter holes and use #8 machine screws of 1/4" length to attach the plates (refer to figure in case 2).