

### This notice is applicable to KT-400 and DSC PowerSeries IT-100 Cable Kits

The IT-100 cable kits should be installed according to the following requirements and instructions:

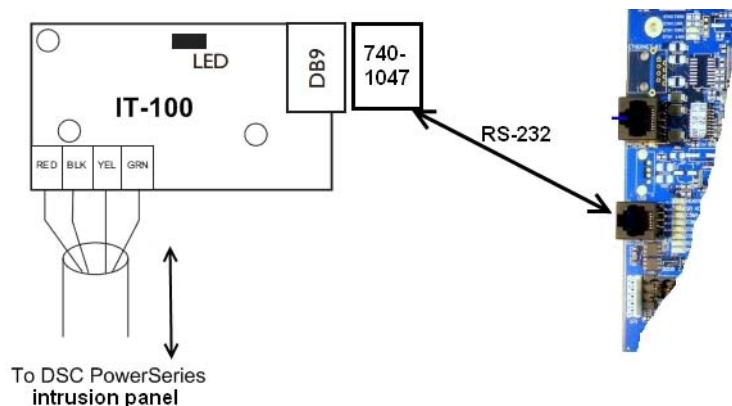
#### Requirements:

- 1 EntraPass Special, Corporate or Global Edition (version 4.03 and above) installed
- 2 If using EntraPass Global Edition, a Corporate Gateway or Global Gateway with a dual gateway feature enabled
- 3 DSC PowerSeries™ intrusion panel (PC1832, PC1864, PC1616) and an IT-100 module
- 4 Door contact connected to KT-400
- 5 Arming Input or reader/keypad
- 6 CBLK-IT100 Cable Kit (10-foot cable, 740-1047 and 740-1026 connectors)
- 7 KT-400 Firmware 1.02 and above

#### Hardware Setup:

To connect the IT-100 to the KT-400 and the DSC PowerSeries™ intrusion panel, follow the steps below (for more information, please refer to the DSC IT-100 manual):

- 1 To wire the IT-100 to the intrusion panel:
  - a) Power down the intrusion panel.
  - b) Connect the IT-100 module using a 4-wire KEYBUS connection to the PowerSeries™ intrusion panel. Connect the RED, BLK, YEL and GRN terminals to the KEYBUS terminals of the PowerSeries™ intrusion panel.
  - c) Power up the intrusion panel.
- 2 To connect the IT-100 to the KT-400:
  - a) Connect one end of the RJ12 cable to the 740-1047 adapter.
  - b) Connect the 740-1047 adapter to the IT-100 serial port.
  - c) Connect the other end of the RJ12 cable to the RS-232 port of the KT-400.



#### **WARNING!**

The IT-100 can be connected at a maximum of 98.4 ft (30 m) at 9600 baud rate from the KT-400. It is recommended to mount the IT-100 in the Alarm Panel Cabinet.

# Notice to Installers

## This notice is applicable to EntraPass and DSC PowerSeries IT-100 Cable Kits

The IT-100 cable kits should be installed according to the following requirements and instructions

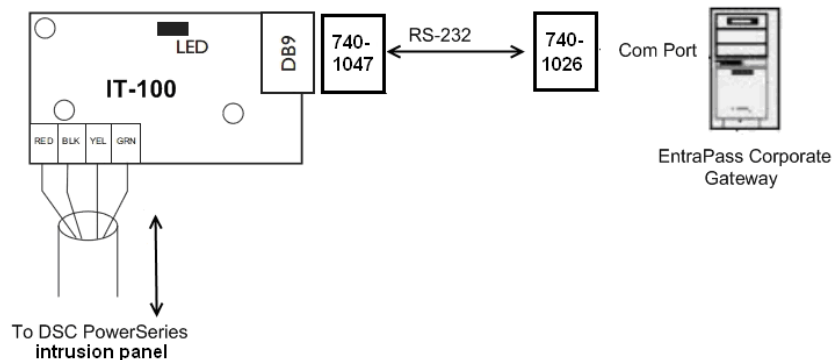
### Requirements:

- 1 EntraPass Special, Corporate or Global Edition (version 4.03 and above) installed
- 2 If using EntraPass Global Edition, a Corporate Gateway or Global Gateway with a dual gateway feature enabled
- 3 DSC PowerSeries™ intrusion panel (PC1832, PC1864, PC1616) and an IT-100 module
- 4 CBLK-IT100 Cable Kit (10-foot cable, 740-1047 and 740-1026 connectors)  
Serial port on EntraPass Gateway computer

### Hardware Setup:

To connect the IT-100 to the EntraPass computer (Corporate Gateway) and the DSC PowerSeries™ intrusion panel, follow the steps below (for more information, please refer to the DSC IT-100 manual):

- 1 To wire the IT-100 to the intrusion panel:
  - a) Power down the intrusion panel.
  - b) Connect the IT-100 module using a 4-wire KEYBUS connection to the PowerSeries™ intrusion panel. Connect the RED, BLK, YEL and GRN terminals to the KEYBUS terminals of the PowerSeries™ intrusion panel.
  - c) Power up the intrusion panel.
- 2 To connect the IT-100 to Corporate/Dual Gateway:
  - a) Connect one end of the RJ12 cable to the 740-1047 adapter.
  - b) Connect the other end of the RJ12 cable to the 740-1026 adapter.
  - c) Connect the 740-1047 adapter to the IT-100 serial port.
  - d) Connect the 740-1026 connector to the computer's serial port.



### **WARNING!**

The IT-100 can be connected at a maximum of 98.4 ft (30 m) at 9600 baud rate from the EntraPass computer. It is recommended to mount the IT-100 in the Alarm Panel Cabinet.

