

KanexPro®

HAECOAX3



USER MANUAL

18Gbps 4K HDMI® Audio Extractor with Dolby Atmos®

Thank you for purchasing this product

For optimum performance and safety, please read these instructions carefully before connecting, operating or adjusting this product. Please keep this manual for future reference.

Surge protection device recommended

This product contains sensitive electrical components that may be damaged by electrical spikes, surges, electric shock, lightning strikes, etc. Use of surge protection systems is highly recommended to protect and extend the life of your equipment.

Table of Contents

1. Introduction.....	2
2. Features.....	3
3. Package Contents.....	3
4. Specifications	3
5. Operation Controls and Functions	5
5.1 Front Panel	5
5.2 Rear Panel.....	5
6. Connection Diagram	6

1. Introduction

The KanexPro HAECOAX3 is our 3rd gen. audio extractor designed with 18 Gbps of high bandwidth and supporting the latest HDMI 2.0 specifications. This audio extractor will de-embed

HDMI audio streams from any HDMI based device to digital or analog stereo maintaining 4K/60 video resolutions with YUV 4:4:4 color space and pass-thru for 10 bit HDR (High Dynamic Range). Audio formats include LCPM 2-channel stereo, Dolby TrueHD, Dolby Digital Plus, Dolby Atmos and DTS-HD Master audio with audio sampling rate up to 192kHz.

2. Features

- 1) 4K/60 HDMI Audio Extractor with Dolby Atmos®
- 2) Select your bit-stream audio by switching instantly
- 3) 18 Gbps bandwidth with latest HDMI 2.0 Specs
- 4) Supports HDMI® HBR (High Bit Rate) audio pass-through
- 5) Supports HDR 10(High Dynamic Range) pass-through for wide color gamut
- 6) Supports video resolutions up to 4K@24/30/50/60Hz (YUV4:4:4) & 1080p HD
- 7) De-embeds audio to multi-channel digital via TOSLINK / SPDIF or analog
- 8) HDCP 2.2 compliant
- 9) CEC- pass through
- 10) HDMI audio output: PCM 2, 5.1, 7.1, Dolby 5.1, DTS 5.1, D-TrueHD & DTS-HD
- 11) Supports uncompressed audio such as LPCM
- 12) Converts 2CH from 24-bit up to 192 kHz audio
- 13) Automatic input cable equalization

3. Package Contents

- 1 x HDMI 18Gbps Audio Extractor
- 1 x 5V/1A Power Adaptor
- 1 x User Manual

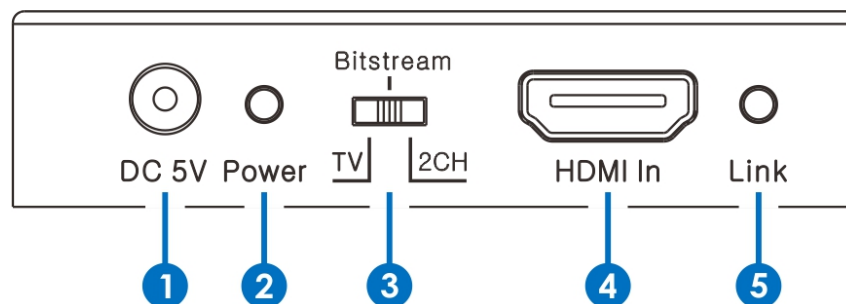
4. Specifications

Technical	
HDMI Compliance	HDMI 2.0b
HDCP Compliance	HDCP 2.2 and HDCP 1.4
Video Bandwidth	18 Gbps
Video Resolutions	up to 4K2K@50/60Hz(YUV4:4:4),4K2K@30Hz,1080P@120Hz, and 1080P 3D@60Hz

Color Space	RGB, YCbCr 4:4:4, YCbCr 4:2:2
Color Depth	10-bit, 12-bit
HDMI Audio Formats (Pass-through)	LPCM 2/5.1/7.1CH, Dolby Digital, DTS 5.1, Dolby Digital+, Dolby TrueHD, DTS-HD Master Audio, Dolby Atmos, DTS:X
Optical Audio Formats	LPCM 2CH, LPCM 5.1, Dolby Digital 2/5.1CH, DTS 2/5.1CH
L/R Audio Formats	Analog Stereo 2CH
ESD Protection	Human body model — ±8kV (air-gap discharge) & ±4kV (contact discharge)
Connections	
Inputs	1x HDMI Type A [19-pin female]
Outputs	1x HDMI Type A [19-pin female] 1x L/R Audio Out [3.5mm Stereo Mini-jack] 1x Optical Out [S/PDIF]
Mechanical	
Housing	Metal Enclosure
Color	Black
Dimensions	W 2.8' x D 2.38' x H 0.66' (73.5 mm x 60.7 mm x 17mm)
Weight	0.28 Lb
Power Supply	Input: AC100 - 240V 50/60Hz Output: DC 5V/1A (US/EU standards, CE/FCC/UL certified)
Power Consumption	1W (Max)
Operation Temperature	32 - 104°F / 0 - 40°C
Storage temperature	-4 - 140°F / -20 - 60°C
Relative Humidity	20 - 90% RH (no condensation)

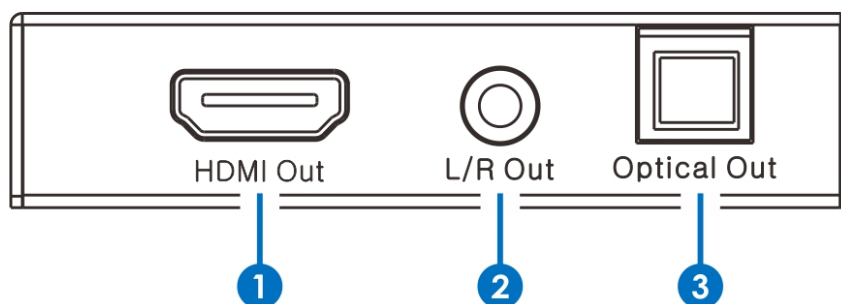
5. Operation Controls and Functions

5.1 Front Panel



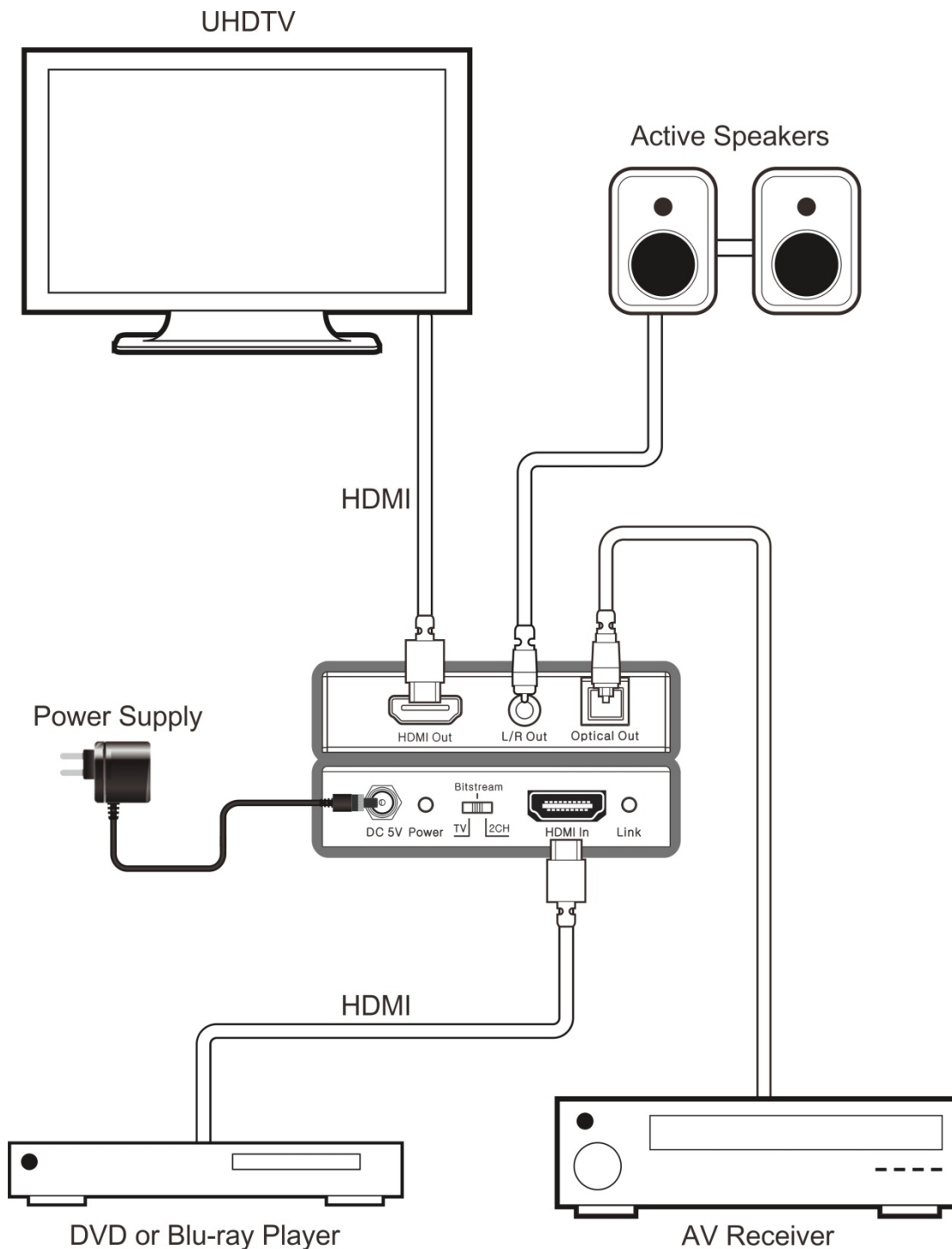
- 1 **DC 5V:** Connect 5V/1A adaptor to AC wall outlet for power supply.
- 2 **Power LED:** System power indicator.
- 3 **TV / Bit Stream / 2CH:** This allows users to select audio format per TV, Bit Stream or LPCM 2CH.
- 4 **HDMI in:** Connect this to HDMI source devices such as Blu-ray or PS4 player
- 5 **Link LED:** The LED will illuminate when detected HDMI input signal.

5.2 Rear Panel



- 1 **HDMI Out:** Connect to HDMI display devices such as TV/Projector.
- 2 **L/R Out:** Connect to audio amplifier or TV L/R audio input port.
- 3 **Optical Out:** Connect to audio amplifier optical audio input port.

6. Connection Diagram



8. Warranty

A. Limited Warranty

KanexPro™ warrants that (a) its products (the “Product”) will perform greatly in agreement with the accompanying written materials for a period of 36 months (3 full years) from the date of receipt and (b) that the product will be free from defects in materials and workmanship under normal use and service for a period of 3 years.

B. CUSTOMER REMEDIES

KanexPro’s entire liability and Customer’s exclusive remedy shall be, at KanexPro option, either return of the price paid for the product, or repair or replacement of the Product that does not meet this Limited Warranty and which is returned to KanexPro with a copy of customers’ receipt. This Limited Warranty is void if failure of the Product has resulted from accident, abuse, or misapplication. Any replacement Product will be warranted for the remainder of the original warranty period of 3 years, whichever is longer.

C. NO OTHER WARRANTIES

To the maximum extent permitted by applicable law, KanexPro disclaims all other warranties, either express or implied, including, but not limited to implied warranties of merchantability and fitness for a purpose, about the product and any related written materials. This limited warranty gives customers specific legal rights. Customers may have other rights depending on the jurisdiction.

D. NO LIABILITY FOR DAMAGES

To the maximum extent permitted by applicable law, in no event shall KanexPro be liable for any damages whatsoever (including without limitation, special, incidental, consequential, or indirect damages for personal injury, loss of business profits, business interruption, loss of business information, or any other pecuniary loss) arising out of the use of or inability to use this product, even if KanexPro has been advised of the possibility of such damages.

www.kanexpro.com