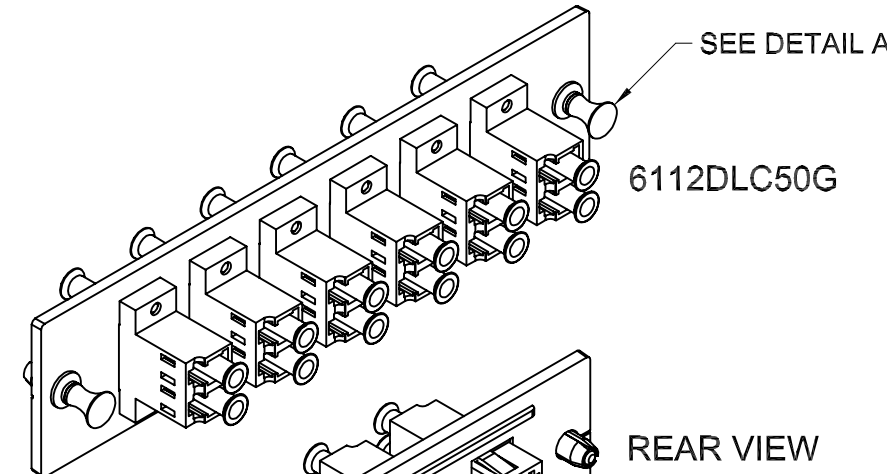


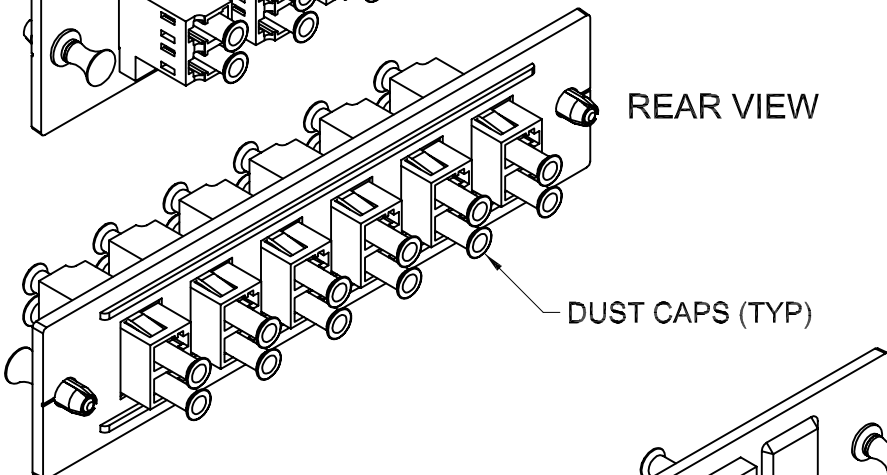
REVISION HISTORY				
REV	SHT	DESCRIPTION	DATE	CHECKED
A	ALL	RELEASE NEW	6/2/06	RBS



SEE DETAIL A

6112DLC50G

REAR VIEW

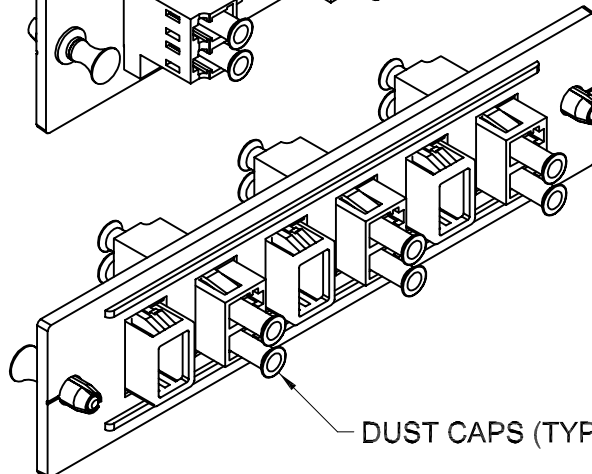


DUST CAPS (TYP)

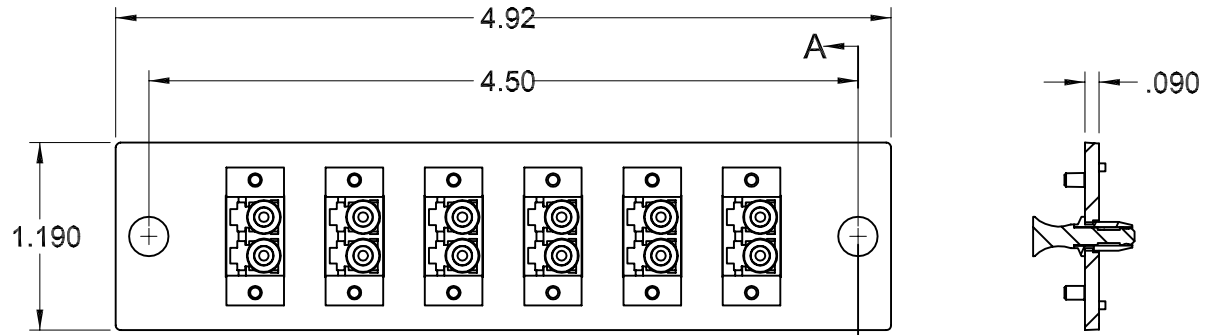
SEE DETAIL A

616DLC50G

REAR VIEW



DUST CAPS (TYP)



6112DLC50G (FRONT VIEW)

DETAIL A
GROMMET/PLUNGER
ORIENTATION

NOTES: UNLESS OTHERWISE SPECIFIED.

1. EACH FIBER ADAPTER KIT IS SUPPLIED WITH COMPONENTS SHOWN.
2. ADAPTER SPECIFICATIONS (MULTIMODE) 50µm, 50µm 10 GIG, 62.5µm
INSERTION LOSS (AVERAGE): PHOSPHOR BRONZE SLEEVE: ≤ 0.3 dB MAX.
SLEEVE/FERRULE WITHDRAWAL FORCE: 2.0N ~ 5.9N (200gf ~ 600gf)
3. ADAPTER SPECIFICATIONS (SINGLEMODE)
INSERTION LOSS (AVERAGE): ZIRCONIA CERAMIC SLEEVE: ≤ 0.2 dB MAX.
SLEEVE/FERRULE WITHDRAWAL FORCE: 2.0N ~ 5.9N (200gf ~ 600gf)

616DLC50G	ADAPTER PLATE ASSY, DLCX3, 50/125 µm 10 GIG, 6 PORT, OCC
6112DLC50G	ADAPTER PLATE ASSY, DLCX6, 50/125 µm 10 GIG, 12 PORT, OCC
OCC PART NO.	DESCRIPTION

UNCONTROLLED COPY

UNLESS OTHERWISE SPECIFIED DIMENSIONS ARE IN INCHES.
TOLERANCES: FRACTIONS ±1/32"
ANGLES ±1/2°
3 PLACE DECIMALS ±.005"
2 PLACE DECIMALS ±.01"

5290 Concourse Drive
Roanoke, VA 24019
Phone: 800-622-7711
Fax: 540-265-0724
www.occfiber.com



CRITICAL DIMENSION CODE
(F) = FUNCTION
(M) = MATING
(A) = AUDIT

MATERIAL	SEE BILL OF MATERIAL
FINISH	SEE BILL OF MATERIAL
DRAWN	D.A.HOLBERT
CHECKED	R.B.SMITH
ENGINEER	J.YANIK
APPROVED	R.B.SMITH
PREVIOUS DWG	
NEXT DWG	

DATE	6/2/06
DATE	6/6/06
DATE	6/2/06
DATE	6/6/06

DWG TITLE			CUSTOMER DRAWING, ADAPTER PLATE ASSY, DUAL LC, 50/125µm 10 GIG		
SIZE	DWG NO.	REV			
B	C107708	A			
SCALE:	NONE	SHEET	1 OF 1		
FILENAME	C107708A.DFT				