



EN1210EOL Single Input Universal with EOL

Installation Instructions

1 Overview

The Inovonics EN1210EOL single input universal with EOL is a universal transmitter with an end of line resistor. The included 2.2k ohm resistor is required to operate the EN1210EOL. The single input universal with EOL is available in North America, Australia and New Zealand; the radio frequency band has been configured for the appropriate geographic area at the factory.

1.1 Inovonics Contact Information

For product and installation videos visit us at www.inovonics.com/videos or use the QR code below.

If you have any problems with this procedure, contact Inovonics Wireless technical services:

- E-mail: support@inovonics.com.
- Phone: (800) 782-2709.

1.2 Single Input Universal with EOL Internal Components

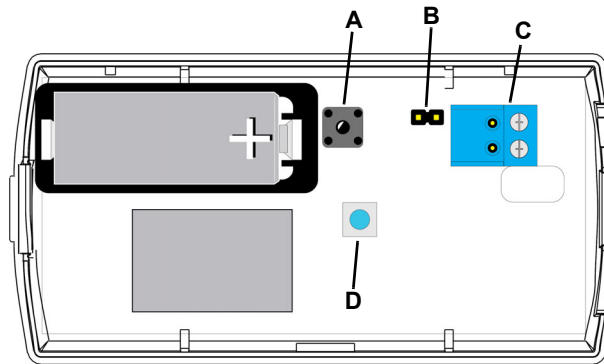


Figure 1 Single input with EOL universal components

- A Housing tamper button
- B NO/NC selection pins
- C Terminal block
- D Reset button

1.3 What's In The Carton

- Three wall mount screws.
- Three wall mount anchors.
- One selection jumper.
- One 3.0V lithium battery.
- One 2.2K ohm end of line resistor.

2 Installation and Startup

2.1 Installation Notes

- These products are designed to be installed and maintained by professional security technicians.
- Products are intended for indoor use.
- Manually test all products weekly.

2.2 Install the Battery

1. Pry the top lip of the mounting bracket up, and lift the bracket off of the transmitter.
2. Use your thumb to depress the housing release tab on the bottom of the transmitter; separate the housing.
3. Install the battery.
4. Press the reset button to initialize the transmitter.

2.3 Select Input Type

The N/O-N/C selection pins allow the choice of a normally open or normally closed state for the contact circuit wired to the input terminal. The transmitter is shipped set for normally closed, with no selection jumper on the N/O - N/C selection pins.

Set for Normally Open Operation

1. Place a selection jumper on the selection pins to select normally open.
2. Wire the 2.2K ohm resistor in parallel with the N/O contact per Figure 2.

3. Press the reset button to complete configuration.

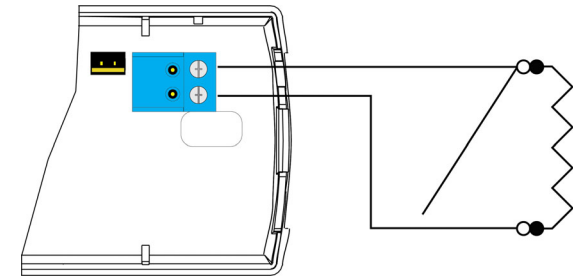


Figure 2 Wired for N/O operation

Set for Normally Closed Operation

1. Remove the selection jumper from the selection pins.
2. Wire the 2.2K ohm resistor in series with the N/C contact per Figure 3.
3. Press the reset button.

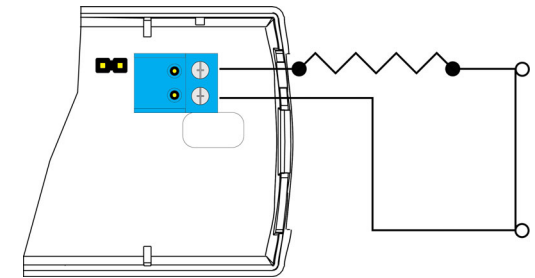


Figure 3 Wired for N/C operation

2.4 Register the EN1210EOL

Transmitters must be registered with the system in order to be monitored and supervised. Transmitters send a check-in message every three minutes. Each transmitter has a unique factory-programmed identification number. Refer to the receiver installation instructions for details on registering a transmitter.

1. When prompted by the receiver to reset transmitter, press the reset button.
2. Replace the cover.
3. Test the EN1210EOL by activating each of the conditions and ensuring an appropriate response.

2.5 Mount the Transmitter

1. Mount the bracket on the wall with the screws provided.

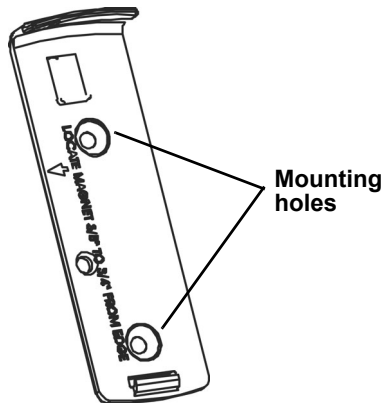


Figure 4 Mount the bracket

2. Clip the transmitter onto the bracket. Hook the bottom catch first, then press the top into place.
3. As desired, use the third mounting screw to secure the housing through the screw hole located beneath the battery.

Note: Accessing this screw on an active transmitter requires opening the housing and removing the battery, causing a tamper condition.

4. Replace the housing cover.

3 Specifications

Note: A 2.2K ohm resistor is required to operate the EN1210EOL.

External contacts: N/O or N/C

Distance, external contact to EN1210EOL: 3 meters (10 feet) maximum

Typical battery life: 3-5 years

Battery type (BAT604): Panasonic CR123A or equivalent

Operating environment: -20° to 60°C (-4° to 140°F), noncondensing.

Note: Inovonics supports recycling and reuse whenever possible. Please recycle these parts using a certified electronics recycler.

Note: Specifications and data are subject to change without notice.

4 Television and Radio Interference

This equipment has been tested and found to comply with the limits for a Class B digital device, pursuant to Part 15 of the FCC Rules. These limits are designed to provide reasonable protection against harmful interference in a residential installation. This equipment generates, uses and can radiate radio frequency energy and, if not installed and used in accordance with the instructions, may cause harmful interference to radio communications. However, there is no guarantee that interference will not occur in a particular installation. If this equipment does cause harmful interference to

radio or television reception, which can be determined by turning the equipment off and on, the user is encouraged to try to correct the interference by one or more of the following measures:

- Reorient or relocate the receiving antenna.
- Increase the separation between the equipment and receiver.
- Connect the equipment into an outlet on a circuit different from that to which the receiver is connected.
- Consult the dealer or an experienced radio/TV technician for help.

5 FCC Part 15 and Innovation, Science and Economic Development Canada (ISED) Compliance

This device complies with part 15 of the FCC Rules, and ISED license-exempt RSS standard(s). Operation is subject to the following two conditions: (1) this device may not cause interference, and (2) this device must accept any interference that may cause undesired operation of the device.

Le présent appareil est conforme aux CNR Innovation, Sciences et Développement économique Canada applicables aux appareils radio exempts de licence. L'exploitation est autorisée aux deux conditions suivantes: (1) l'appareil ne doit pas produire de brouillage, et (2) l'utilisateur de l'appareil doit accepter tout brouillage radioélectrique subi, même si le brouillage est susceptible d'en compromettre le fonctionnement.

6 Radiation Exposure Limits

6.1 FCC

This equipment complies with FCC radiation exposure limits set forth for an uncontrolled environment. In order to avoid the possibility of exceeding the FCC radio frequency exposure limits, human proximity to the antenna shall not be less than 20 cm during normal operation and must not be co-located or operating in conjunction with any other antenna or transmitter.

6.2 ISED

This equipment complies with ISED RSS-102 radiation exposure limits set forth for an uncontrolled environment. This transmitter must be installed to provide a separation distance of at least 20 cm from all persons and must not be co-located or operating in conjunction with any other antenna or transmitter. Cet équipement est conforme avec ISED RSS-102 des limites d'exposition aux rayonnements définies pour un environnement non contrôlé. Cet émetteur doit être installé à au moins 20 cm de toute personne et ne doit pas être colocalisé ou fonctionner en association avec une autre antenne ou émetteur.