

## WMS-SS

### Stainless Steel Wall Mount Bracket for DS-2CD6626DS-IZHS Stainless Steel Cameras

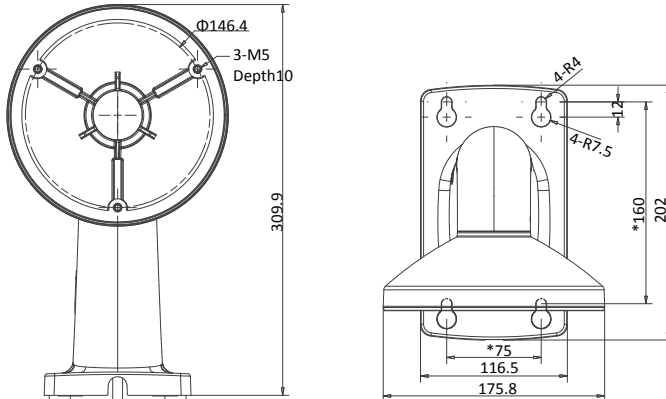
- Stainless Steel Material
- Anticorrosive Design for Adverse Environments
- Cap designed to facilitate wiring

The bracket should be installed on a flat wall. Waterproof rubber is necessary for outdoor application. The wall must be capable of supporting over 3 times the total weight of the camera and bracket. Clamp load capacity is 5 kg.

Available Model: WMS-SS



### Dimensions



### Specifications

	WMS-SS
Appearance	Unpainted Stainless Steel
Material	Stainless Steel
Dimension	7.95" x 6.92" x 12.2" (202 x 175.8 x 309.9 mm)
Weight	7.28 lbs (3300 g)