

DS-2CD2325FHWD-I

2 MP Outdoor EXIR Fixed Network Turret Camera



- 1/2.8" (2 MP) Progressive Scan CMOS
- Full 1080p Resolution @ 60 fps
- 60 fps High Frame Rate
- Minimum Illumination:
Color: 0.009 Lux @ (f/1.6, AGC on)
0 Lux with IR
- Up to 100 ft (30 m) EXIR 2.0 Range
- 2.8 mm, 4 mm, or 6 mm Fixed Lens
- H.265+, H.265, H.264+, H.264
- 120 dB True WDR
- MicroSD Card Slot Supports 128 GB
- IP67 Protection
- 12 VDC and PoE (802.3af)

The Hikvision DS-2CD2325FHWD-I Outdoor EXIR Fixed Network Turret Camera provides high definition output. It supports H.265+ video compression, which assures savings in bandwidth and storage.

The camera is equipped with a 2.8 mm, 4 mm, or 6 mm lens and offers an EXIR 2.0 range of up to 100 ft (30 m).

Smart features such as line crossing, intrusion, unattended luggage, and scene change detection are also supported.

Available models:

DS-2CD2325FHWD-I



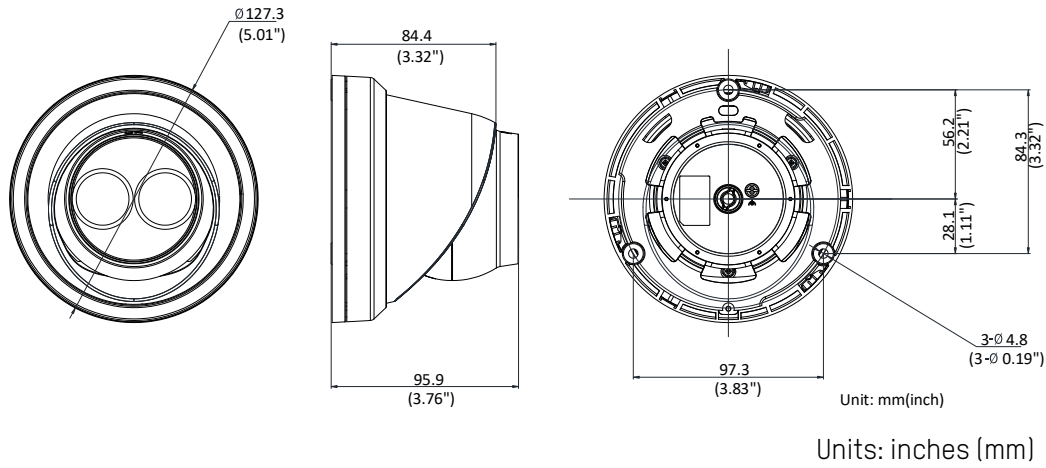
Specifications

DS-2CD2325FHW-D-I	
Camera	
Image Sensor	1/2.8" progressive scan CMOS
Minimum Illumination	Color: 0.009 lux @ (f/1.6, AGC on), 0 lux with IR
Shutter Speed	1/3 s to 1/100,000 s
Slow Shutter	Yes
Focal Length	2.8 mm, 4 mm, and 6 mm
Focus	Fixed
FOV	2.8 mm: Horizontal field of view: 108° 4 mm: Horizontal field of view: 86.4° 6 mm: Horizontal field of view: 52°
Lens Mount	M12
Iris	f/1.6
Day/Night	IR cut filter
DNR	3D DNR
Wide Dynamic Range	120 dB
3-Axis Adjustment (Bracket)	Pan: 0° to 360°, tilt: 0° to 75°, rotate: 0° to 360°
Compression Standard	
Video Compression	Main stream: H.265+/H.265/H.264+/H.264; sub stream: H.265+/H.265/H.264+/H.264/MJPEG; third stream: H.265+/H.265/H.264+/H.264
H.264 Type	Main profile/high profile
H.264+	Main stream supported
H.265 Type	Main profile
H.265+	Main stream supported
Video Bit Rate	32 Kbps to 16 Mbps
Image	
Maximum Resolution	1920 × 1080
Main Stream	60 fps (1920 × 1080, 1280 × 960, 1280 × 720)
Sub Stream	30 fps (640 × 480, 640 × 360, 320 × 240)
Third Stream	30 fps (1920 × 1080, 1280 × 720, 640 × 360, 352 × 240)
Image Enhancement	BLC/3D DNR/HLC
Image Setting	Rotate mode, saturation, brightness, contrast, sharpness adjustable by client software or Web browser
Region of Interest (ROI)	Supports one fixed region for main and sub streams
Day/Night Switch	Day/night/auto/schedule/triggered by alarm in
Network	
Network Storage	MicroSD/SDHC/SDXC card (128 GB), local storage, NAS (NFS/SMB/CIFS), and ANR
Alarm Trigger	Motion detection, tampering alarm, network disconnected, IP address conflict, illegal login, HDD full, HDD error
Protocols	TCP/IP, UDP, ICMP, HTTP, HTTPS, FTP, DHCP, DNS, DDNS, RTP, RTSP, RTCP, PPPoE, NTP, UPnP, SMTP, SNMP, IGMP, 802.1x, QoS, IPv6
Standard	ONVIF (PROFILE S, PROFILE G), ISAPI
General Function	One-key reset, anti-flicker, heartbeat, mirror, password protection, privacy mask, watermark, IP address filter
API	ONVIF (PROFILE S, PROFILE G), ISAPI
Simultaneous Live View	Up to 6 channels
User/Host	Up to 32 users. Three levels: administrator, operator, and user
Client	iVMS-4200, iVMS-4500, Hik-Connect
Web Browser	Plug-in required live view: IE 8+, Chrome 41.0–44, Firefox 30.0–51, Safari 8.0–11 Plug-in free live view: Chrome 45.0+, Firefox 52.0+
Interface	
Communication Interface	1-port RJ-45 10M/100M self-adaptive Ethernet port
On-Board Storage	Built-in microSD/SDHC/SDXC slot, up to 128 GB
Reset Button	Yes
Smart Features	
Behavior Analysis	Line crossing detection, intrusion detection, unattended baggage detection, object removal detection
Exception Detection	Scene change detection
Face Detection	Yes
General	
Operating Conditions	-22° to 140° F (-30° to 60° C), humidity 95% or less (non-condensing)
Power Supply	12 VDC ± 25%, 6 W; PoE (802.3af, 36 V to 57 V, class 3), 7 W
IR Range	Up to 100 ft (30 m)
Protection Level	IP67
Material	Metal
Dimensions	Ø5.01" × 3.78" (Ø127.3 mm × 95.9 mm)
Weight	1.37 lbs (0.62 kg)

Accessories (Not Included)

					
WML Wall Mount Long	CB130T Conduit Base	CBM Conduit Base	ABM Angled Base	CM Corner Mount	PM Pole Mount

Dimensions



Box Contents (Subject to Change without Notice)

- Drill Template
- Quick Start Guide
- Screws
- Watertight Cable Connector
- Wrench