

## DS-K182HP Proximity Reader



Hikvision proximity card readers set the electronic security benchmark for 125 kHz proximity readers, cards, and tags.

Based upon proven contactless digital radio frequency identification (RFID) technology, Pyramid readers interact with a wide range of electronic access control systems by complying with the Wiegand communication protocol.

### Available Models:

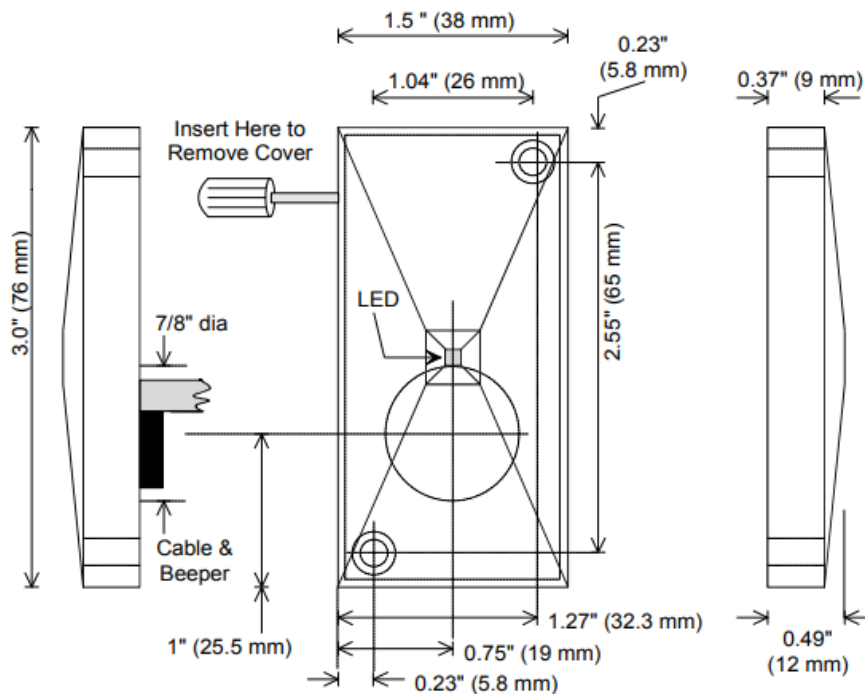
DS-K182HP

- Independently Tested and Certified to Conform to UL Standard 294
- Wiegand Interface
- Mullion Mount for Metal Doors, Window Frames, and Flat Surfaces
- Up to 5 inches (126 mm) 125 kHz Reading Frequency

# Specifications

DS-K182HP	
System Parameters	
Technology	Proximity
Reading Frequency	125 kHz
Reading Range	Up to 5 inches (126 mm)
Interface	Wiegand 26
LED	Four-state standard (red, green, amber, and off)
Mounting	Mullions, including metal doors and window frames, as well as flat surfaces
Dimensions (W x H x D)	1.7" x 3.2" x 0.7" (43 mm x 81 mm x 18 mm)
OEM Label Area Dimensions (W x D)	0.9" x 0.35" (22.86 mm x 8.89 mm), with 0.63" (16 mm) corner radius
Weight	3 oz (85 g)
Certifications	FCC, ICC, CE, C-Tick, UL 294 Standard <sup>1</sup>
IP Code	IP67
Power Supply	5 to 16 VDC
Working Current	30 mA typical, 75 mA peak @ 12 VDC
Cabling	24 AWG minimum, multi-conductor stranded with an overall foil shield
Operating Temperature	-40° to 149° F (-40° to 65° C)
Audio Tone	Beeper included standard
Indoor and Outdoor Installation	Electronics sealed in weather- and tamper-resistant epoxy potting

# Legend and Dimensions



<sup>1</sup> Carrying the ETL label and tested by Intertek. Conforms to UL 294 Standard.