

# CPME

## Extendable Pole for Pendant Mount



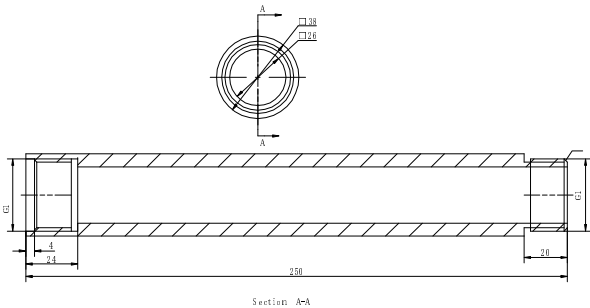
### Specifications

	CPME
Appearance	Hikvision white
Material	Aluminum alloy
Dimension	Φ38 mm × 250 mm (1.5" x 9.84")
Weight	350 g (12.35 ozs)

### Features

- Aluminum Alloy Material with Surface Spray Treatment

### Dimensions



**NOTE:** The actual dome camera may vary from the picture above.

### Order Model

CPME