

# 60 SERIES MOUNTS AND ACCESSORIES

Honeywell's 60 Series mounts and accessories provide a wide range of installation options for the Honeywell 60 Series IP cameras, including junction box, in ceiling mount bracket, wall mount bracket, pole mount bracket, corner mount bracket, etc.

The mounts provide easy cable routing with no exposed wiring, and the cameras can be installed, adjusted, and tested without repositioning the housing. All of the mounts and accessories are suitable for indoor or outdoor use.

The junction box, pendant mount bracket, wall mount bracket, pendant mount cap and pendant mount adapter are constructed of die-casting aluminum. The in ceiling mount bracket is made of SECC steel. The pole mount bracket, corner mount bracket is made of SPCC steel.

## MARKET OPPORTUNITIES

Honeywell's 60 Series mounts and accessories provide excellent value at an attractive price, featuring simple, clean lines, and rugged construction for a wide range of mounting options.



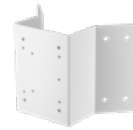
HA60BB1  
Junction Box



HA60PCMZ  
Pendant Mount  
Bracket



HA60PLMZ  
Pole Mount  
Bracket



HA60CNMZ  
Corner Mount  
Bracket



HA60ICMZ  
In Ceiling Mount  
Bracket



HA60WLMZ  
Wall Mount  
Bracket



HA60WLM3  
Wall Mount  
Bracket



HA60WLM4  
Wall Mount  
Bracket



HA60PMC3  
Flush Mount  
Adaptor



HA60PMC4  
Pendant Mount  
Adapter



HA60WIF  
Wifi Dongle



HA60BFP  
Bullet Front  
Panel



HA60POEZ  
UPOE Injector



HA60CB3  
Indoor Bubble  
Clear



HA60CB4  
Outdoor Bubble  
Clear



HA60CB6  
Speed Dome Bubble  
Clear



HA60SB3  
Indoor Bubble  
Smoke



HA60SB4  
Outdoor Bubble  
Smoke



HA60SB6  
Speed Dome Bubble  
Smoke



HA60ICZ  
Ceiling mount



HA60APR  
Plate / Rubber

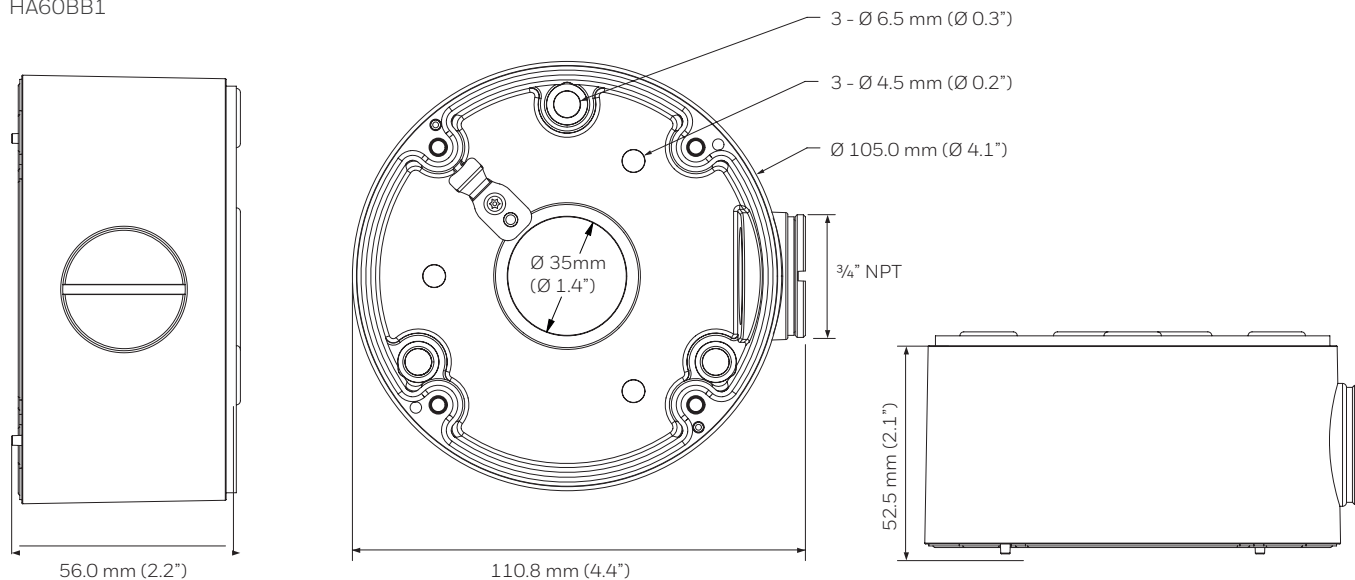
# 60 SERIES MOUNTS AND ACCESSORIES

## FEATURES AND BENEFITS

DESCRIPTION	LOW PROFILE, CONTEMPORARY DESIGN	ECONOMICALLY PRICED	EASY CABLE FEED-THROUGH	DIE-CASTING ALUMINUM	STEEL	OFF-WHITE POWDER FINISH	INDOOR/OUTDOOR
HA60BB1	✓	✓	✓	✓			✓
HA60PCMZ	✓	✓	✓	✓		✓	✓
HA60PLMZ	✓	✓	✓		✓	✓	✓
HA60CNMZ	✓	✓	✓		✓	✓	✓
HA60ICMZ	✓	✓	✓		✓	✓	✓
HA60WLMZ				✓		✓	✓
HA60WLM3	✓	✓	✓	✓		✓	✓
HA60WLM4	✓	✓	✓	✓		✓	✓
HA60PMC3	✓	✓	✓	✓		✓	✓
HA60PMC4	✓	✓	✓	✓		✓	✓
HA60WIF	✓	✓					✓
HA60BFP	✓	✓					✓
HA60POEZ	✓	✓					
HA60CB3	✓	✓					✓
HA60CB4	✓	✓					✓
HA60CB6	✓	✓					✓
HA60SB3	✓	✓					✓
HA60SB4	✓	✓					✓
HA60SB6	✓	✓					✓
HA60ICZ	✓	✓	✓				
HA60APR	✓	✓	✓	✓		✓	✓

## DIMENSIONS

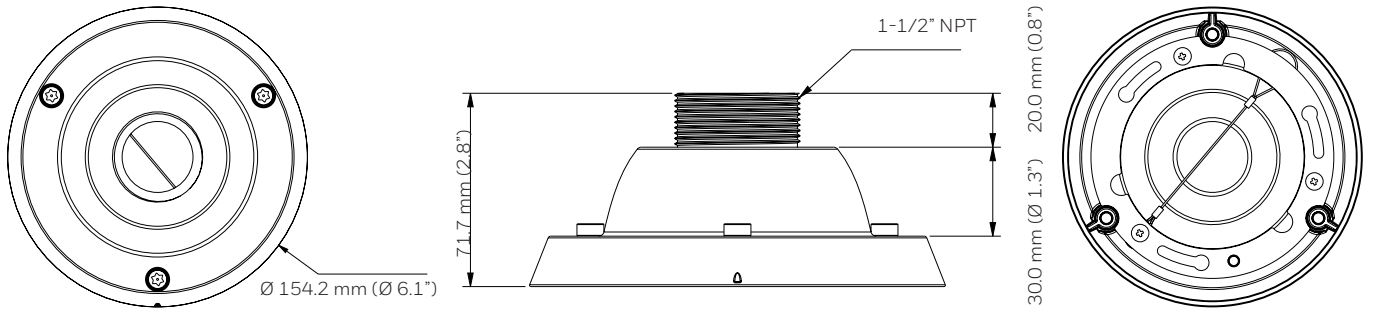
HA60BB1



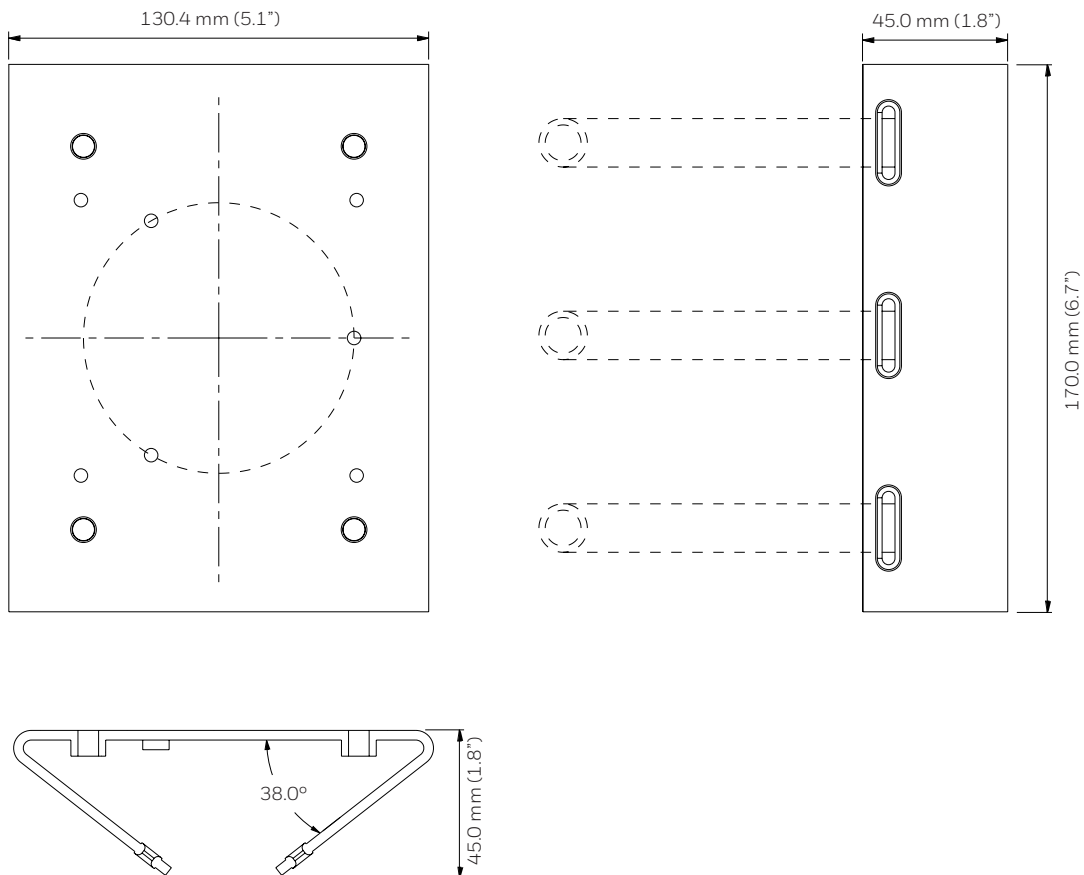
# 60 SERIES MOUNTS AND ACCESSORIES

## DIMENSIONS

HA60PCMZ



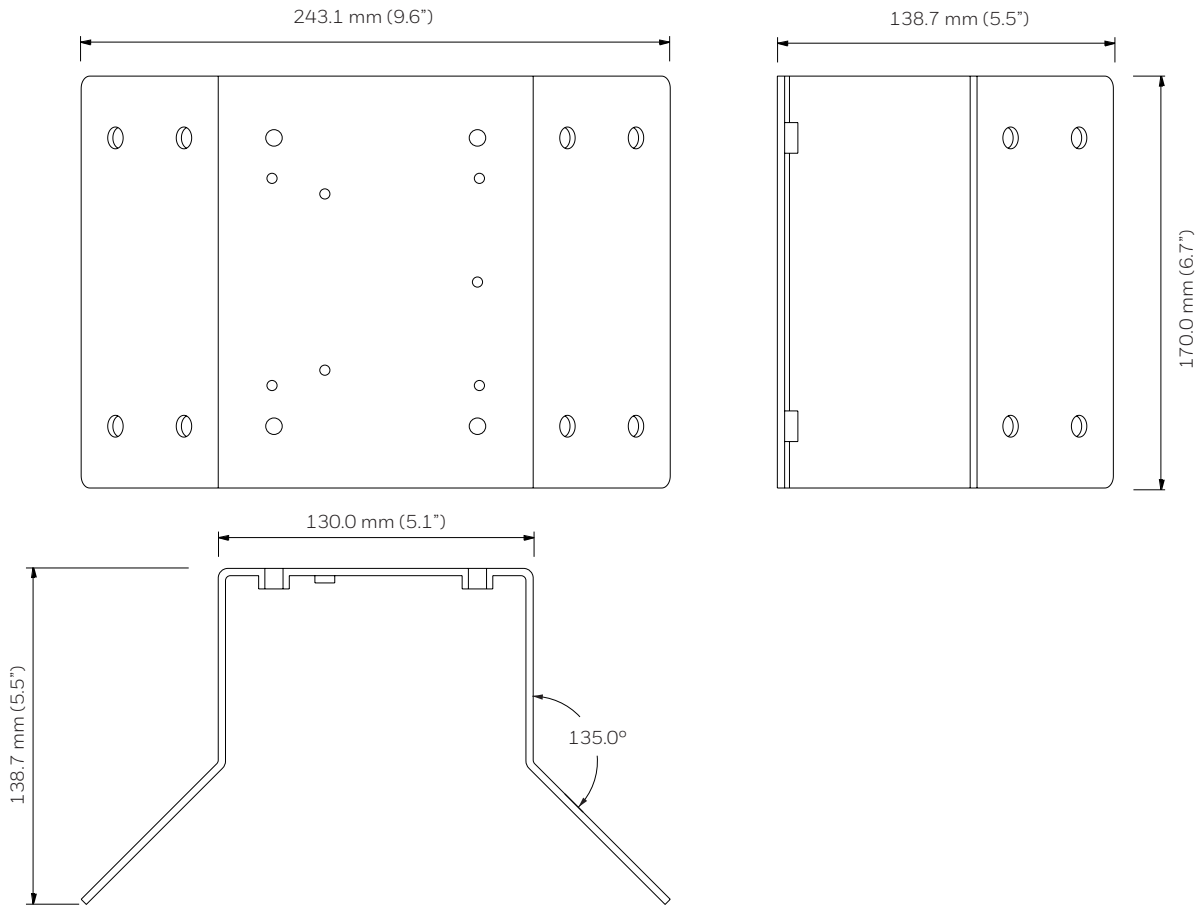
HA60PLMZ



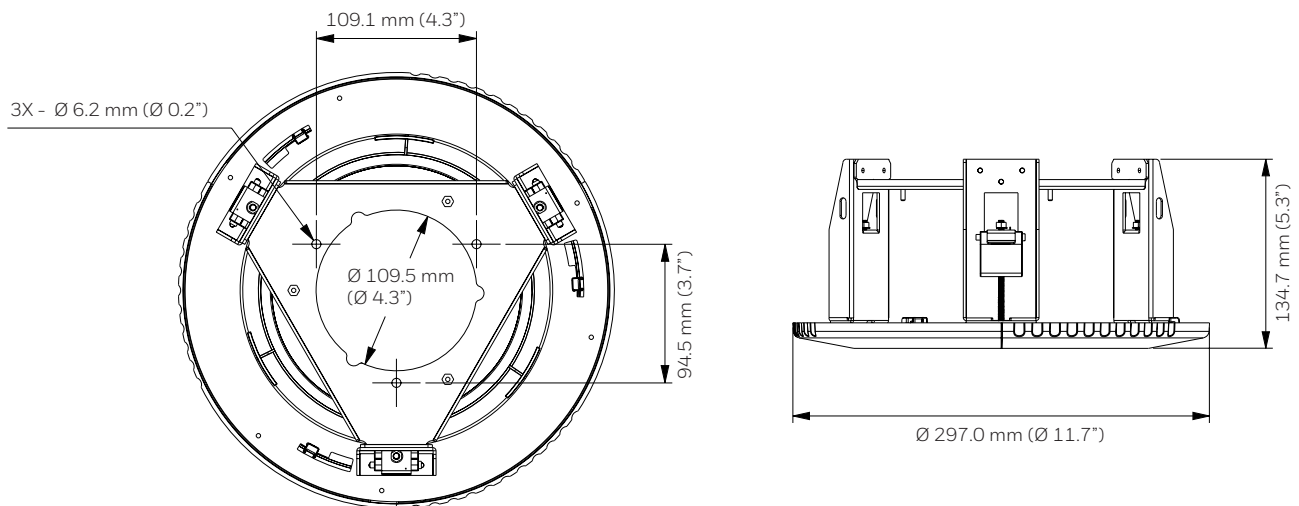
# 60 SERIES MOUNTS AND ACCESSORIES

## DIMENSIONS

HA60CNMZ



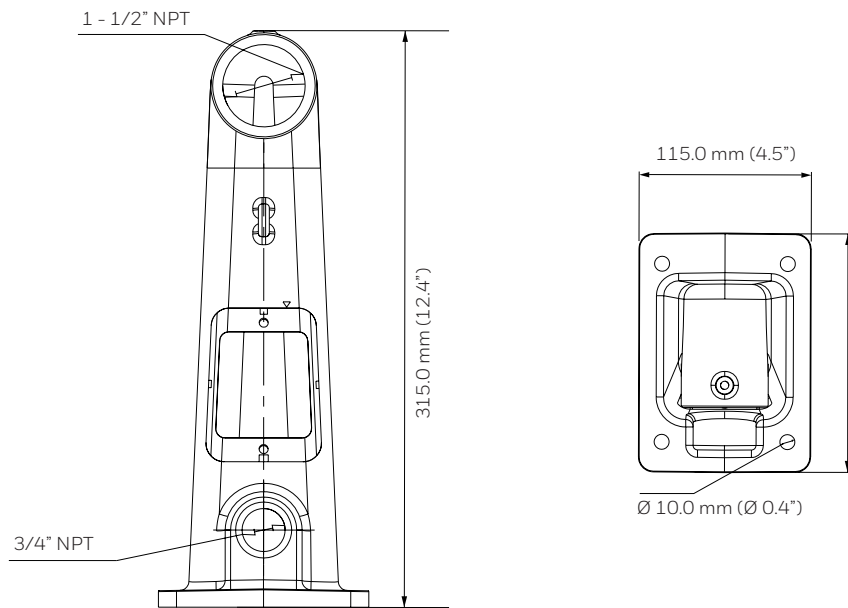
HA60ICMZ



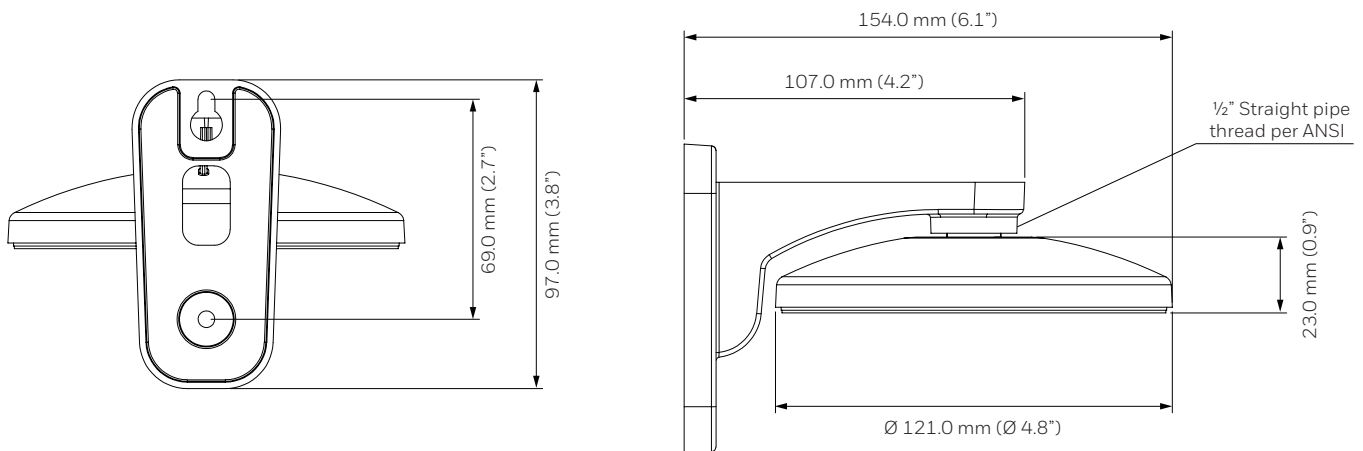
# 60 SERIES MOUNTS AND ACCESSORIES

## DIMENSIONS

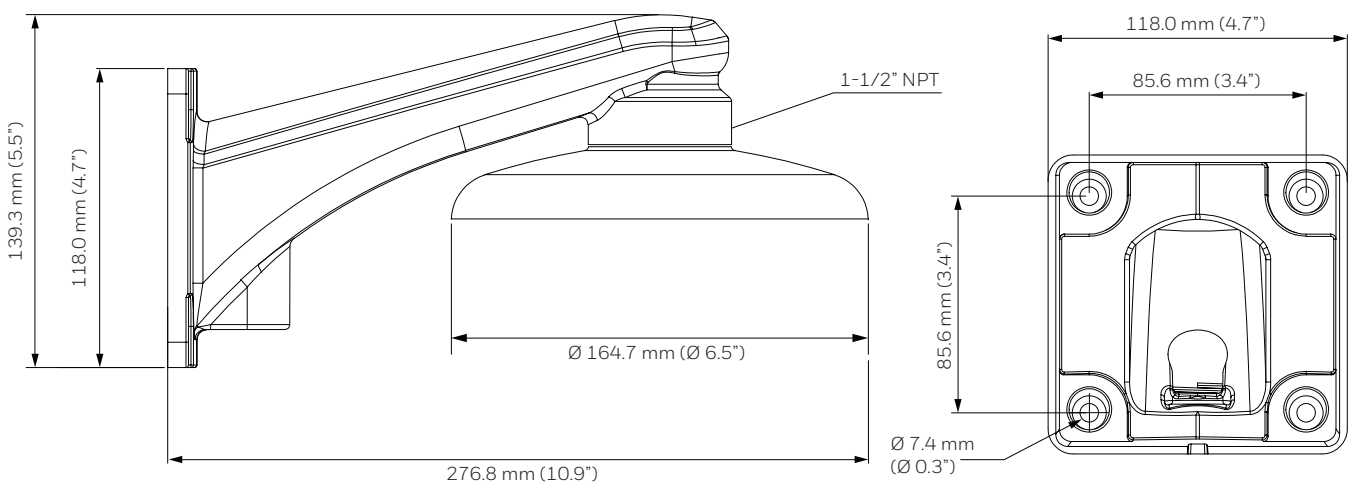
HA60WLMZ



HA60WLM3



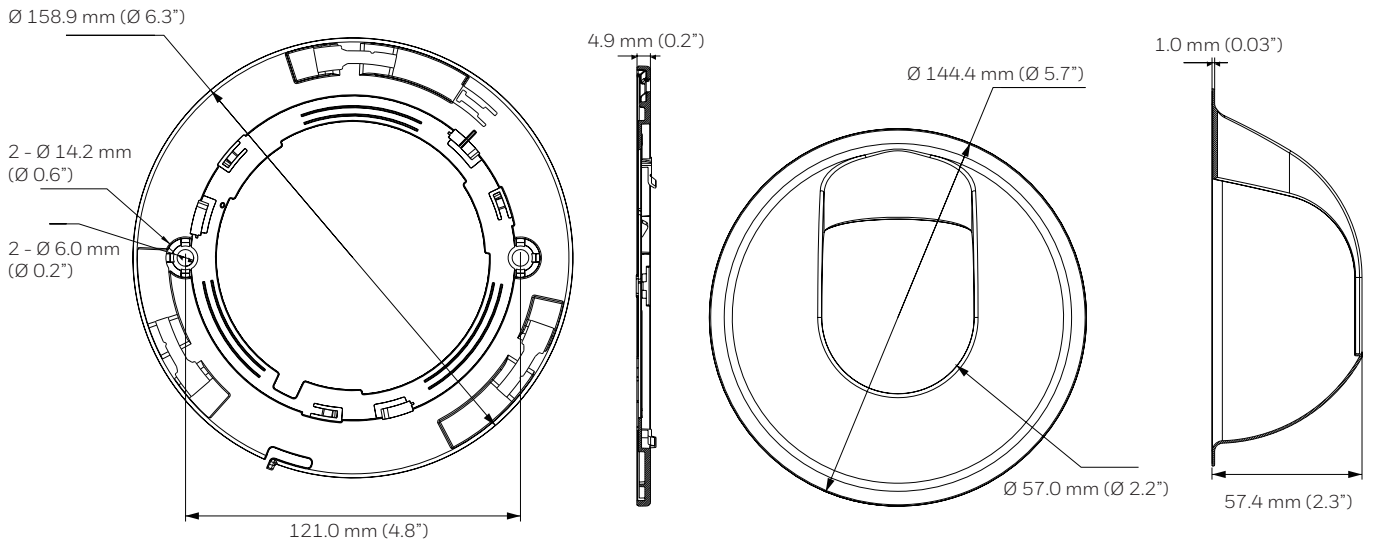
HA60WLM4



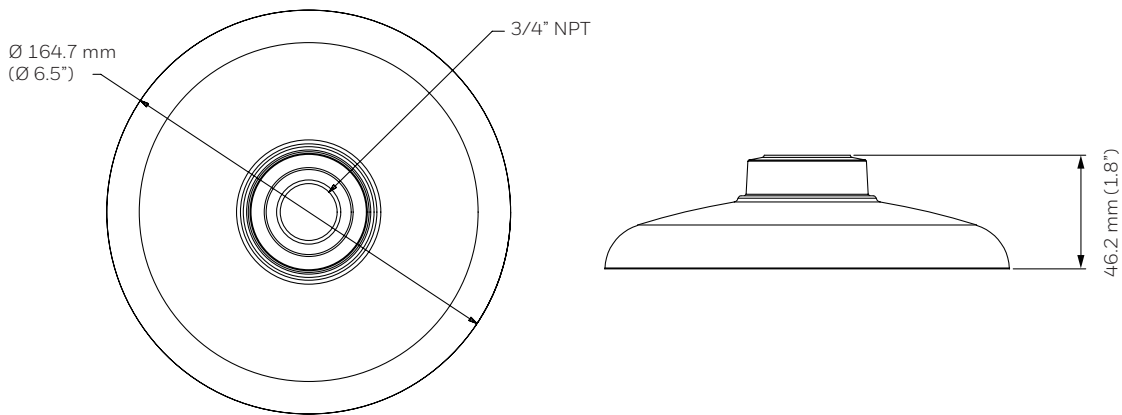
# 60 SERIES MOUNTS AND ACCESSORIES

## DIMENSIONS

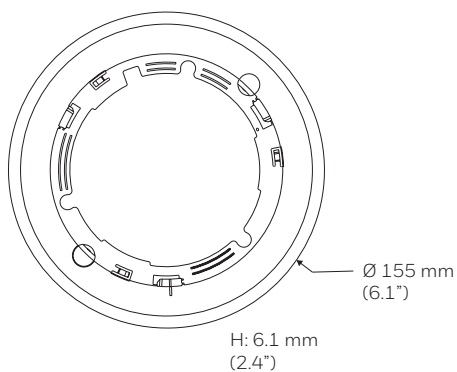
HA60PMC3



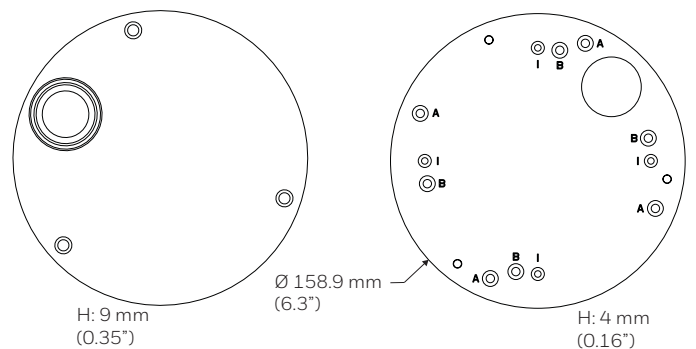
HA60PMC4



HA60ICZ



HA60PMC4



# 60 SERIES MOUNTS AND ACCESSORIES

## SPECIFICATIONS

MODEL	UNIT WEIGHT	CONSTRUCTION	DIMENSIONS
HA60BB1	0.4 kg (0.8 lb)	Aluminum	Ø 105.0 x 56.0 mm (Ø 4.1" x 2.2 in.)
HA60PCMZ	0.5 kg (1.0 lb)	Aluminum	Ø 154.2 x 71.7 mm (Ø 6.1 x 2.8 in.)
HA60PLMZ	1.3 kg (2.8 lb)	Steel	240.0 x 156.7 x 68.9 mm (9.4 x 6.2 x 2.7 in.)
HA60CNMZ	3.1 kg (6.9 lb)	Steel	240.0 x 341.6 x 233.4 mm (9.4 x 13.4 x 9.2 in.)
HA60ICMZ	1.7 kg (3.7 lb)	Bracket: Steel, Cover: PC + ABS	Ø 297.0 x 134.7 mm (Ø 11.7 x 5.3 in.)
HA60WLMZ	1.6 kg (3.5 lb)	Aluminum	315.0 x 115.0 x 160.0 mm (12.4 x 4.5 x 6.3 in.)
HA60WLM3	0.08 kg (0.2 lb)	Plastic	Ø 121.0 x 154.0 x 97.0 mm (Ø 4.8 x 6.1 x 3.8 in.)
HA60WLM4	0.9 kg (2.0 lb)	Aluminum	Ø 164.7 x 276.8 x 139.3 mm (Ø 6.5 x 10.9 x 5.5 in.)
HA60PMC3	0.06 kg (0.1 lb)	Plastic	Part 1: Ø 158.9 x 4.9 mm (Ø 6.3 x 0.2 in.) Part 2: Ø 144.4 x 57.4 mm (Ø 5.7 x 2.3 in.)
HA60PMC4	0.4 kg (0.9 lb)	Aluminum	Ø 164.7 x 46.2 mm (Ø 6.5 x 1.8 in.)
HA60APR	0.276 kg (0.61 lb)	Aluminium / rubber	Part 1: Ø 158.9 x 4 mm (Ø 6.3 x 0.16 in.) Part 2: Ø 158.9 x 9 mm (Ø 6.3 x 0.35 in.)
HA60ICZ	0.081 kg (0.18 lb)	Plastic	Ø 155 x 61 mm (Ø 6.1 x 2.4 in.)

## HA60POEZ

**UPOE Injector for  
HC60W2E30**



GENERAL	
LED Indicators	Power, PoE
Power Input	100 ~ 240VAC/50 ~ 60Hz
Power Consumption	65W
Surge Protection Data/PoE port	12KV
Surge Protection AC Power	4KV
Dimensions (L x W x H)	182 x 78.6 x 41.9 mm (7.17 x 3.09 x 1.65 in.)
Weight	0.58 kg (1.28 lb)
Operating Temperature	-10°C ~ 50°C (14°F ~ 122°F)
Storage Temperature	-20°C ~ 70°C (-4°F ~ 158°F)
Humidity	Operating: 10 ~ 90% (Non-condensing) Storage: 10 ~ 90% (Non-condensing)
Safety Certifications	CE (EN60950-1)
Emissions	FCC PART 15, CE (EN55032)

ETHERNET	
Gigabit Ethernet 10/100/1000Mbps (RJ45)	1
STANDARDS	
IEEE 802.3 10-BASE-T (Ethernet)	Supported
IEEE 802.3u 100-BASE-TX (Fast Ethernet)	Supported
IEEE 802.3ab 1000-BASE-T (Gigabit Ethernet)	Supported
IEEE 802.3at Power over Ethernet	Supported
TRANSMISSION MEDIA	
10Base T	Cat. 3, 4, 5 UTP/STP
100Base TX	Cat. 5, 5e UTP/STP
1000Base T	Cat. 5e, 6, 7 UTP/STP
POE FUNCTION	
Number of PoE Out Ports	1
Max PoE Output Power/per Port	54VDC/60W
802.3at Standard Compatible	Yes
Over Current Protection	Supported
Circuit Shorting Protection	Supported
Total PoE Power Budget	60W
Power Pin Assignment	1/2(-), 3/6(+), 4/5(+), 7/8(-)
PoE PD Auto Detection	Supported

# 60 SERIES MOUNTS AND ACCESSORIES

## COMPATIBLE CAMERAS

MODEL	HC60W34R2 HC60W34R2L	HC60W35R2 HC60W35R4	HC60W44R2 HC60W44R2L	HC60W45R2 HC60W45R4	HC60WB4R2 HC60WB4R2L HC60WB5R2 HC60WB5R5	HC60WZ2E30
HA60BB1					✓	
HA60PCMZ						✓
HA60PLMZ						✓
HA60CNMZ						✓
HA60ICMZ						✓
HA60WLMZ						✓
HA60WLM3	✓	✓				
HA60WLM4			✓	✓		
HA60PMC3	✓	✓				
HA60PMC4			✓	✓		
HA60WIF	✓	✓	✓	✓	✓	✓
HA60BFP					✓	
HA60POEZ						✓
HA60CB3 / HA60SB3	✓	✓				
HA60CB4 / HA60SB4			✓	✓		
HA60CB6 / HA60SB6						✓
HA60ICZ	✓	Included				
HA60APR			✓	Included		

## ORDERING

MODEL	DESCRIPTION	MODEL	DESCRIPTION
HA60BB1	Junction box, 60 series outdoor bullet	HA60WIF	Wifi dongle and USB adapter for camera configuration
HA60PCMZ	Pendant Mount Bracket, 1.5 NPT	HA60BFP	Replacement Bullet, 60 series bullet front panel
HA60PLMZ	PTZ Pole mount bracket, white	HA60POEZ	UPOE Injector for 60 series PTZ
HA60CNMZ	PTZ Corner mount bracket, white	HA60CB3	Replacement Dome, 60 series indoor bubble (Clear)
HA60ICMZ	PTZ In ceiling mount bracket, white	HA60CB4	Replacement Dome, 60 series outdoor bubble (Clear)
HA60WLMZ	PTZ Wall mount bracket, 1.5 NPT, white	HA60CB6	Replacement Dome, 60 series speed dome bubble (Clear)
HA60WLM3	Wall mount bracket for 3 inch dome, white	HA60SB3	Replacement Dome, 60 series indoor bubble (Smoke)
HA60WLM4	Wall mount bracket for 4 inch dome, white	HA60SB4	Replacement Dome, 60 series outdoor bubble (Smoke)
HA60PMC3	Flush mount adaptor for 3 inch dome, black	HA60SB6	Replacement Dome, 60 series speed dome bubble (Smoke)
HA60PMC4	Mount adapter, 1.5NPT(out), 3/4NPT (in)	HA60ICZ	Ceiling mount for HC60W34R2(L)
		HA60APR	Plate and rubber for HC60W44R2(L)

### For more information

[www.security.honeywell.com/uk](http://www.security.honeywell.com/uk)  
[www.security.honeywell.com/me](http://www.security.honeywell.com/me)

### Honeywell Commercial Security

Honeywell Security Office -  
 Emaar Business Park,  
 Sheikh Zayed Road  
 Building No. 2, 2nd floor, 201  
 Post Office Box 232362  
 Dubai, United Arab Emirates  
 Tel: +971 4 450 5800

Aston Fields Road  
 Whitehouse Industrial Estate  
 Runcorn, Cheshire, WA7 3DL  
 United Kingdom  
 Tel: +44 (0)8448 000 235  
[www.honeywell.com](http://www.honeywell.com)

Honeywell reserves the right, without notification, to make changes in product design or specifications.

HSFV-60ACC-04-UK(0920)DS-Z  
 © 2020 Honeywell International Inc.

**Honeywell**