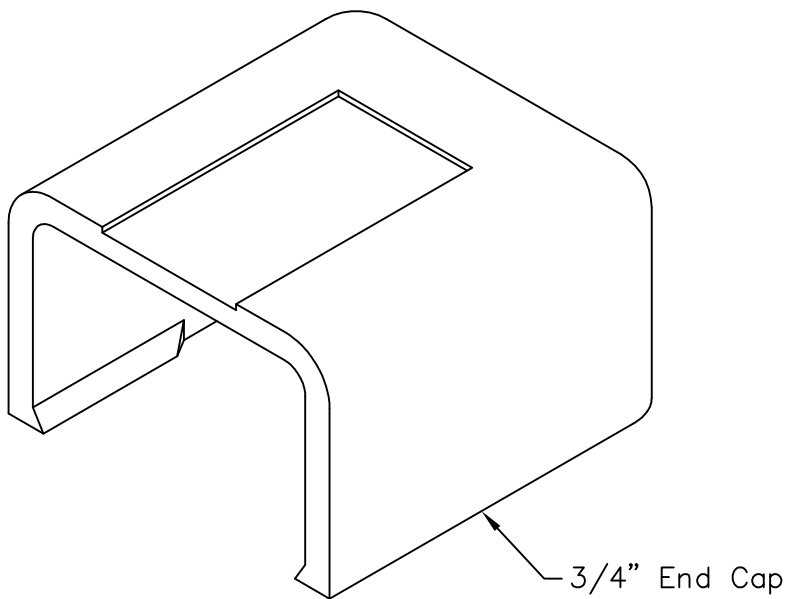


3/4" End Cap

PRODUCT SPECIFICATION

Package includes:

A. 3/4" End Cap, 1 pc



Features and Benefits:

- Designed to protect raceway ends.
- Accommodates ICRW22R, ICRWR118, and ICRWR11S 3/4"W x 1/2"H raceway sections.
- Available in ivory and white.

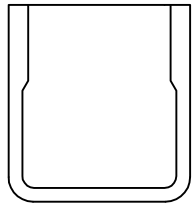
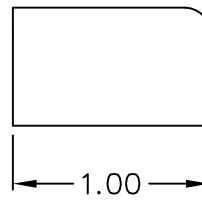
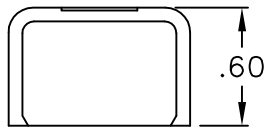
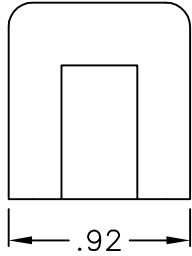
END CAP, 3/4"

ITEM NO.	ICRW22ECXX
DWG NO.	PSRW22EC00

REV.	A
PAGE NO.	1



CUSTOMER CARE / TECHNICAL SUPPORT * CSR@ICC.COM / 888-ASK-4-ICC (275-4422) * 2100 E. Valencia Dr, Suite D, Fullerton, CA 92831 * www.icc.com



NOTE: UNLESS OTHERWISE SPECIFIED

1. MATERIAL: HIGH IMPACT STYRENE
2. COLOR: XX: IV-IVORY & WH-WHITE

END CAP, 3/4"

ITEM NO. ICRW22ECXX
 DWG NO. PSRW22EC00

REV. A
 PAGE NO. 2



CUSTOMER CARE / TECHNICAL SUPPORT * CSR@ICC.COM / 888-ASK-4-ICC (275-4422) * 2100 E. Valencia Dr, Suite D, Fullerton, CA 92831 * www.icc.com