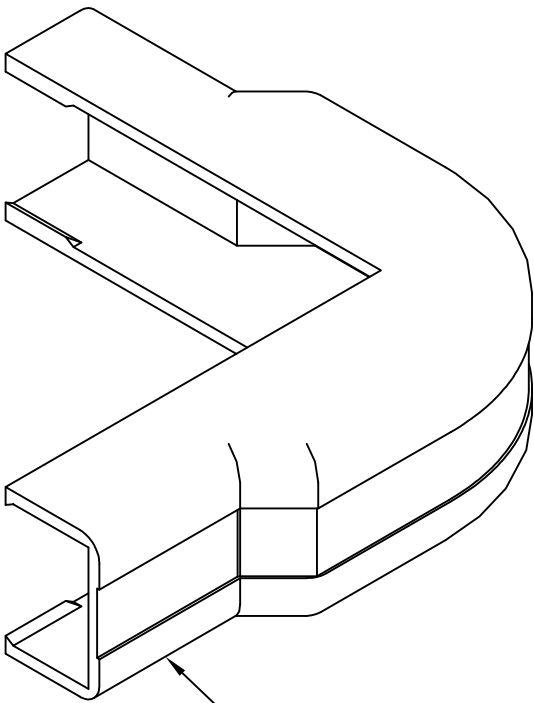


3/4" Outside Corner Cover

PRODUCT SPECIFICATION

Package includes:


A. 3/4" Outside Corner Cover, 10 pcs



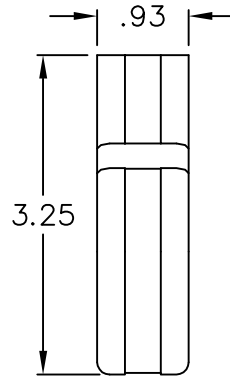
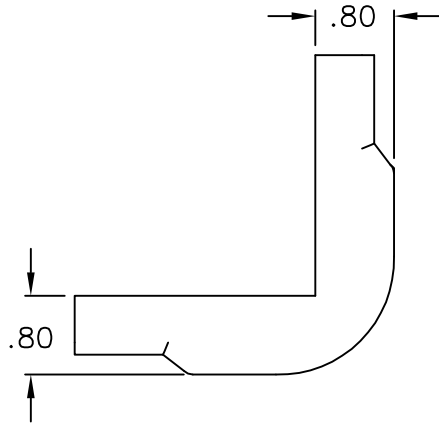
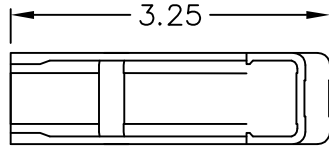
10X 3/4" Outside Corner Cover

Features and Benefits:

- Designed to maintain cable bend radius
- Accommodates ICRW22R, ICRWR118, and ICRWR11S 3/4"W x 1/2"H raceway sections
- Available in ivory and white


OUTSIDE CORNER COVER, 3/4", 10 PK			
ITEM NO.	ICRW110CXX		REV. A
DWG NO.	PSRW110C00		PAGE NO. 1

CUSTOMER CARE / TECHNICAL SUPPORT * CSR@ICC.COM / 888-ASK-4-ICC (275-4422) * 2100 E. Valencia Dr, Suite D, Fullerton, CA 92831 * www.icc.com



NOTE: UNLESS OTHERWISE SPECIFIED

- 1. MATERIAL: HIGH IMPACT STYRENE
- 2. COLOR: XX: IV-IVORY & WH-WHITE

OUTSIDE CORNER COVER, 3/4", 10 PK			
ITEM NO.	ICRW110CXX		REV. A
DWG NO.	PSRW110C00		PAGE NO. 2

CUSTOMER CARE / TECHNICAL SUPPORT * CSR@ICC.COM / 888-ASK-4-ICC (275-4422) * 2100 E. Valencia Dr, Suite D, Fullerton, CA 92831 * www.icc.com