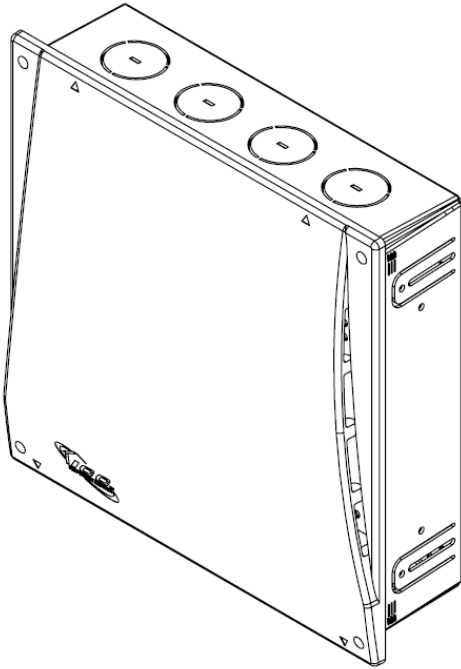


14" Plastic Net Media Center Combo with 8 Port Voice, Data, & Video Modules



Package Includes:

- A. 14" Plastic Net Media Center, **1 Piece**
- B. Net Media Center Plastic Cover, **1 Piece**
- C. Cardboard Protective Cover, **1 Piece**
- D. CAT 6 Module, Data, 8-Port, **1 Piece**
- E. Telephone Module, 8-Port w/ RJ31X, **1 Piece**
- F. 2 GHz Video Splitter, 1x6, **1 Piece**
- G. 6-18 x 3/4", Nickel Plated, Pan Head Phillips, Self-Tapping Screw, **4 Pieces**
- H. 10-16 x 1", Zinc Plated, Flat Head Phillips, Wood Screw, **4 Pieces**
- I. Wiring Location Sheet, **1 Piece**
- J. Installation Instructions Sheet, **1 Piece**

Features and Benefits

- Designed to serve as “the central distribution point for voice, data, video, audio, and security services
- Internal modules can be mounted horizontally or vertically facilitating layout and wiring of systems, while providing optimum cable management
- Works with connectivity modules with push and pull fasteners
- Snap-in system enables users to quickly insert or move internal modules
- Includes 4 top, 3 bottom knockouts for routing cables and 4 tie points
- Includes 2 knockouts for optional AC power outlets (Not included) to provide power distribution
- Build with ABS plastic, lightweight, and sturdy
- Fits between 16" studs or can be wall mounted
- Depth marks on the enclosure simplifies adjustment for drywall depths (1/2", 5/8", 3/4")
- Enclosure is not designed to be installed in firewall applications
- The cover snaps on and can be screwed down
- Accommodates all of ICRESXXXX residential modules
- Used with optional accessories including rubber grommets (ICRDSDCAC2)
- Complies with ETL, TIA-568-C, TIA-570-B, and TIA-607 standards

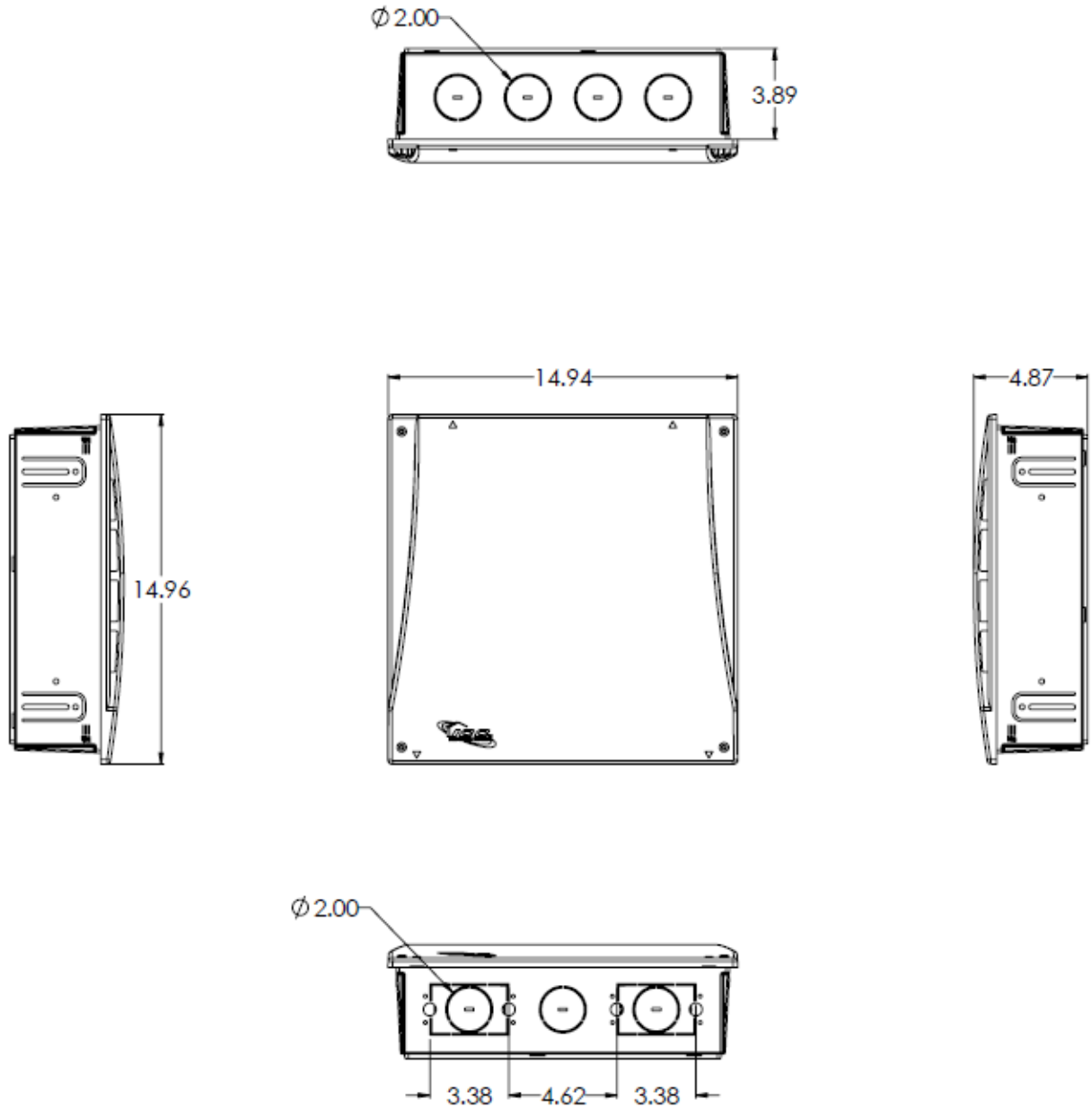
Part No: ICRESDP14K

Rev: A3

Page 1 of 5

icc.com | cs@icc.com





NOTE: UNLESS OTHERWISE SPECIFIED

- Material: ABS, UL 94V-0
- Color: White
- Finish: Matte

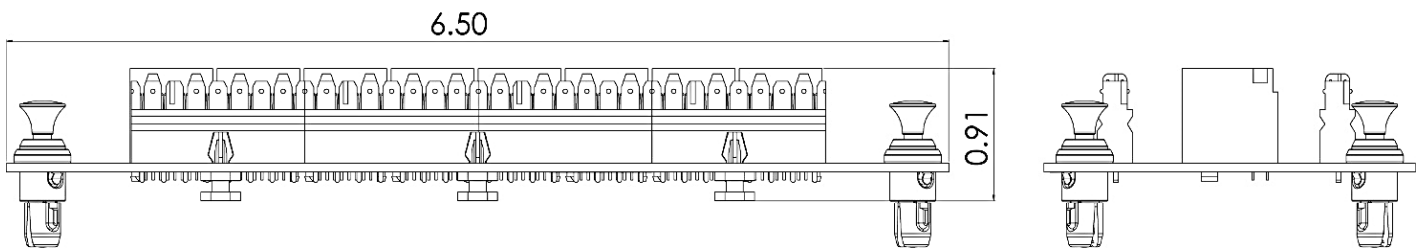
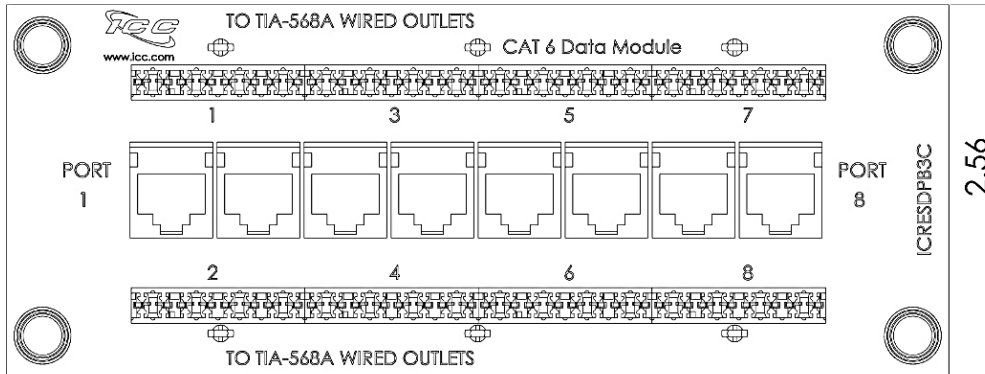
Part No: ICRESDP14K

Rev: A3

Page 2 of 5

icc.com | cs@icc.com





NOTE: UNLESS OTHERWISE SPECIFIED

1. 8-PORT CAT 6 DATA MODULE:

- A. PCB: GLASS EPOXY FR-4 COPPER CLAD, t=1.20mm
- B. 110 BLOCK:
 - 1. HOUSING: PC, UL 94V-0
 - 2. IDC: PHOSPHOROUS BRONZE, TIN PLATED
- C. RJ45 JACK/SOCKET:
 - 1. HOUSING: PBT + 15% FIBER GLASS
 - 2. CONTACT: PHOSPHOROUS BRONZE, 50μ" GOLD PLATED
- D. WIRING IN ACCORDANCE TO T568A
- E. CATEGORY 6 RATED

2. LOCKING BUTTON: MATERIAL: NYLON6/6, UL 94V-0

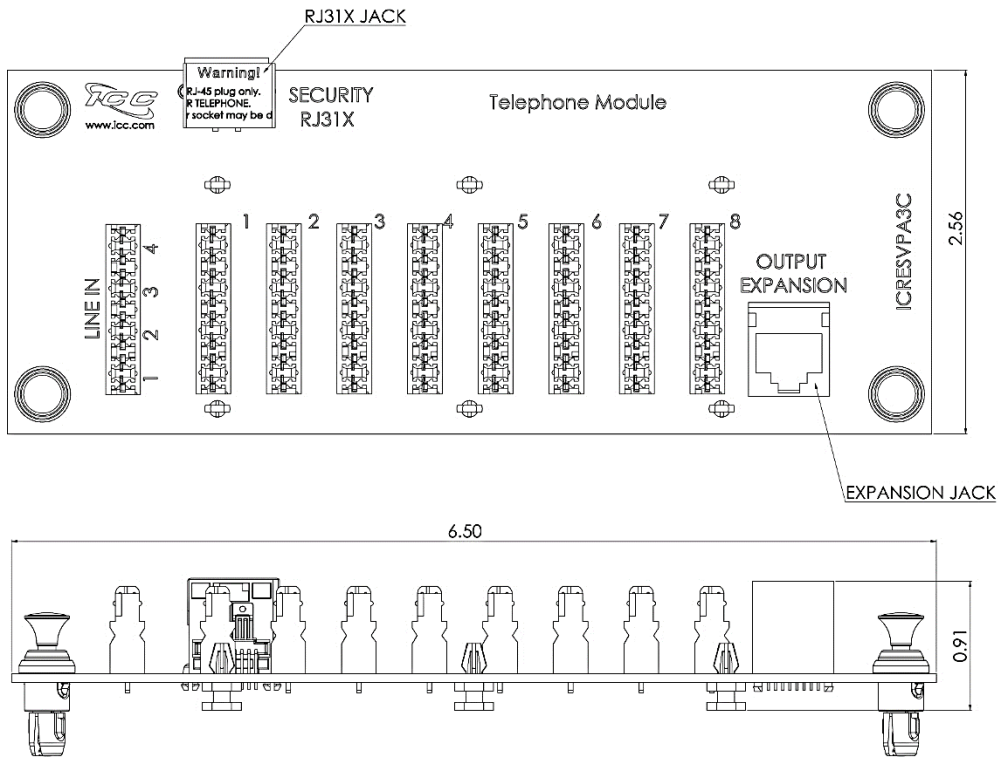
Part No: ICRESDP14K

Rev: A3

Page 3 of 5

icc.com | cs@icc.com



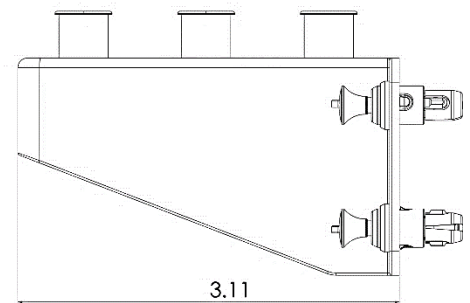
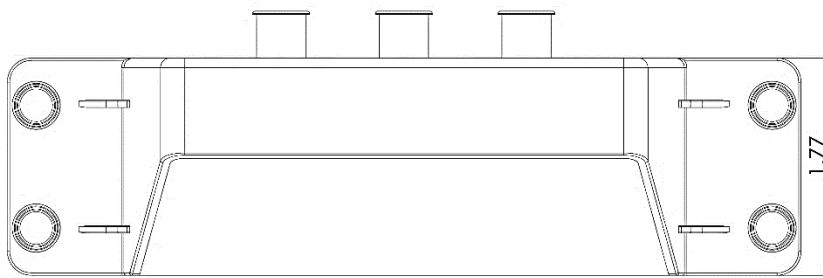
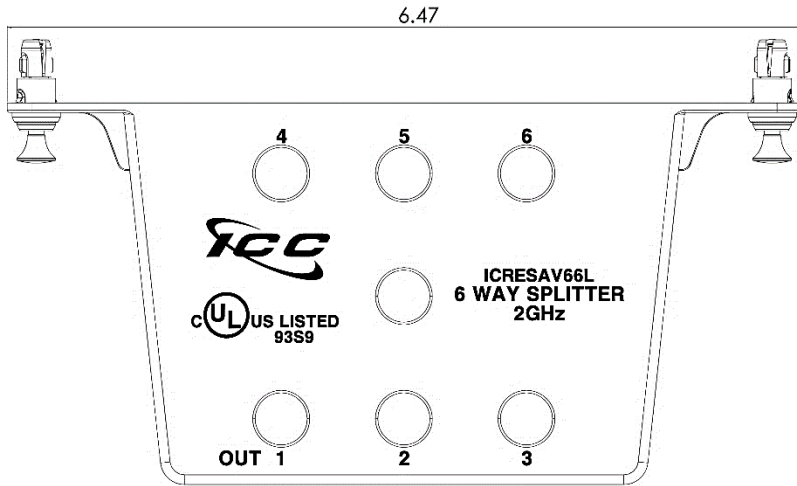


NOTE: UNLESS OTHERWISE SPECIFIED

1. 8-PORT TELEPHONE MODULE WITH RJ31X JACK:

- A. PCB: GLASS EPOXY FR-4 COPPER CLAD, t=1.20mm
- B. 110 BLOCK:
 - 1. HOUSING: PC, UL 94V-0
 - 2. IDC: PHOSPHOROUS BRONZE, TIN PLATED
- C. RJ45 & RJ31X JACK/SOCKET:
 - 1. HOUSING: PBT + 15% FIBER GLASS
 - 2. CONTACT: PHOSPHOROUS BRONZE, 50μ" GOLD PLATED
- D. WIRING IN ACCORDANCE TO T568A

2. LOCKING BUTTON: MATERIAL: NYLON6/6, UL 94V-0



NOTE: UNLESS OTHERWISE SPECIFIED

1. 1X6 VIDEO SPLITTER:
 - A. HOUSING: DIE-CASTING WITH NICKEL PLATING
 - B. CONNECTORS: F-TYPE FEMALE
 - C. FREQUENCY RANGE: 5 ~ 2300 MHZ
 - D. INSERTION LOSS: 15 dB TYPICAL
2. MOUNTING BRACKET:
 - A. MATERIAL: ABS PLASTIC
 - B. SURFACE FINISH: MATE WHITE
3. LOCKING BUTTON:
 - A. MATERIAL: NYLON 6/6, UL 94V-0