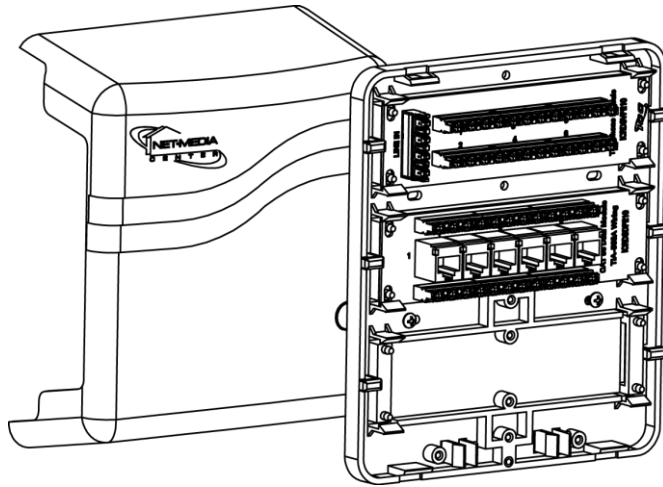


# Combo, Net Media, Mini 6-Port Voice & Data

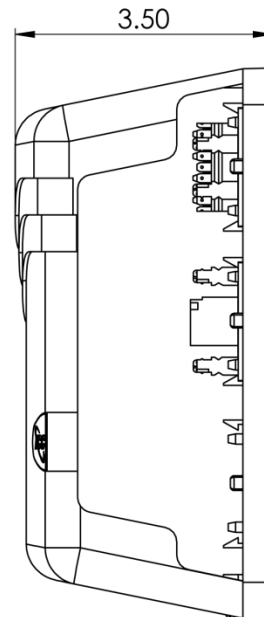
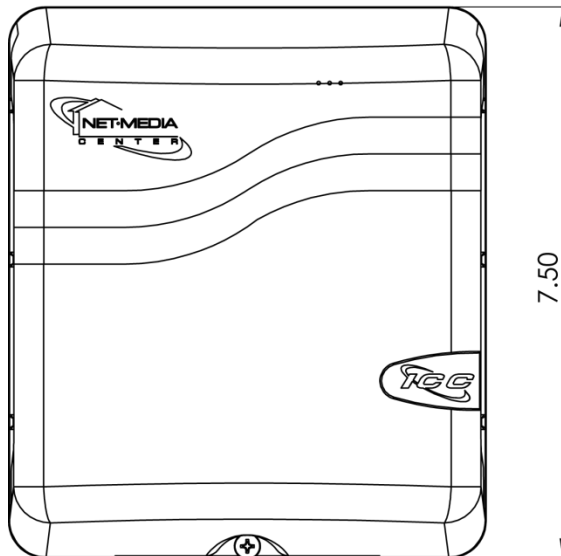
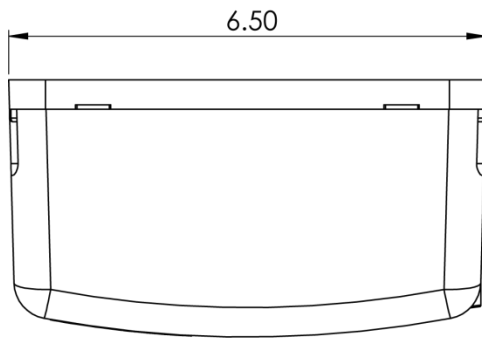


## Package Includes:

- A. Mini Net Media Center Cover, **1 Piece**
- B. Mini Net Media Center Base, **1 Piece**
- C. 6-Port Telephone Module, **1 Piece**
- D. 6-Port CAT 5e Data Module **1 Piece**
- E. #6-32 x ½" Cover Screw, **1 Piece**
- F. #6 X 1" Mounting Screw, **3 Pieces**
- G. Installation Instructions, **1 Sheet**

## Features and Benefits

- Designed to serve as the central distribution point for voice and data
- Works with snap-in phone and data modules
- Snap-in system enables users to quickly insert or move the modules
- 1 internal mounting spaces for phone and data modules
- ABS plastic, lightweight, and sturdy
- Designed to be wall mounted
- Enclosure combos are not designed to be installed in firewall applications
- Complies with UL, TIA-568-C, TIA-570-B and TIA-607 standards
- The cover snaps on and can be screwed down



**NOTE: UNLESS OTHERWISE SPECIFIED**

1. Mini Net Media Center:

- A. Material: ABS, UL 94V-0
- B. Surface Finish: Texture
- C. Color: White

2. 6-Port Telephone Module:

- A. Material: Glass Epoxy FR-4 Copper Clad .062" Thick per MIL-P-13949
- B. Finish: Electroplated Solder with Hot Solder Dip
- C. Wiring Accordance to T568A

3. 6-Port Cat 5e Data Module:

- A. Material: Glass Epoxy FR-4 Copper Clad .062" Thick per MIL-P-13949
- B. Finish: Electroplated Solder with Hot Solder Dip
- C. Wiring Accordance to T568A