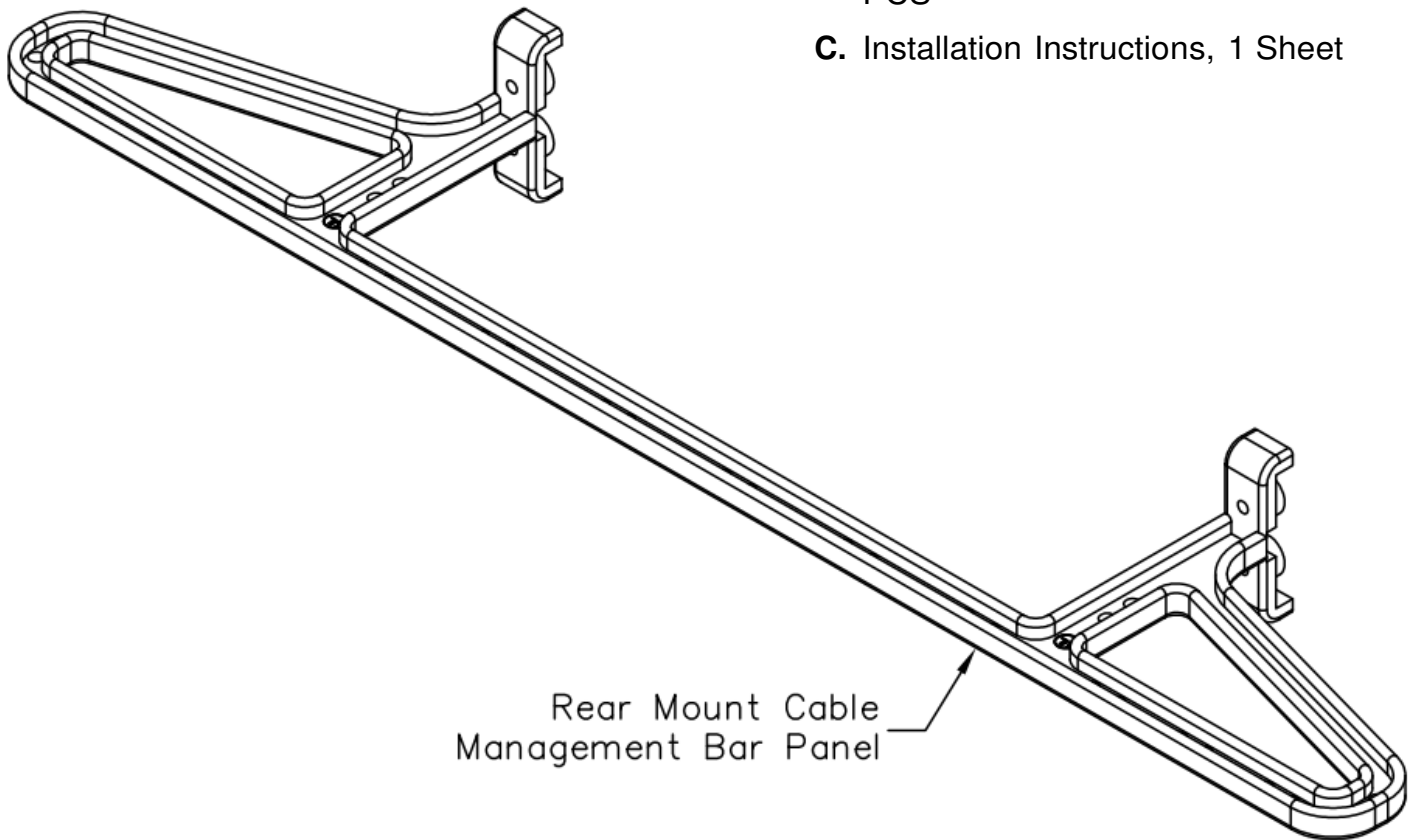


Rear Mount Cable Management Bar Panel

Package Includes:

- A. Rear Mount Cable Management Bar Panel, 1 PC
- B. 3mm X 16mm LG Pan Head, Combination Drive Tapping Screw, 4 PCS
- C. Installation Instructions, 1 Sheet



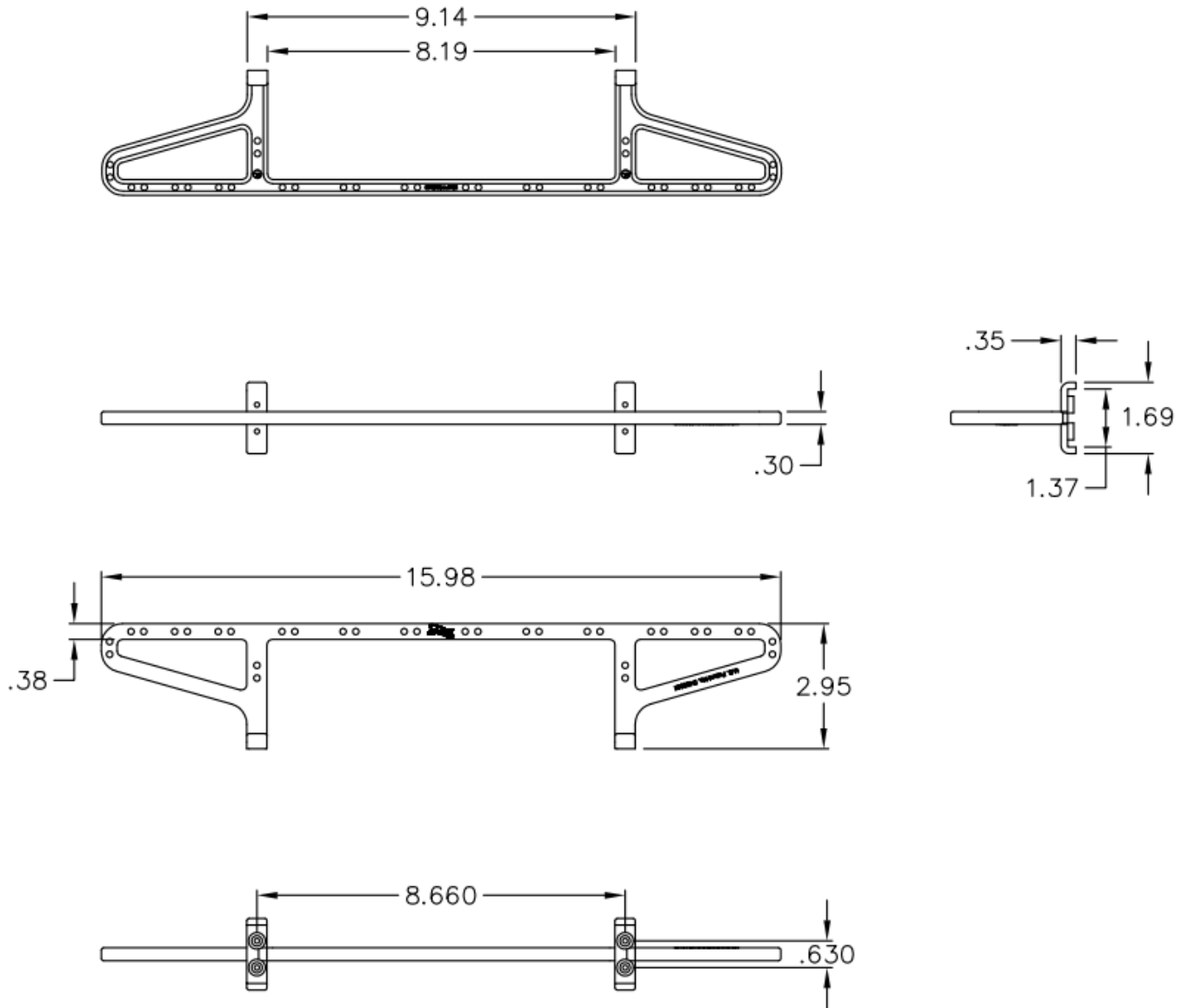
Features and Benefits

- Designed to mount on the rear side of 110-type patch panels for rear cable support
- Used with ICMPP CAT 5e and CAT 6 patch panels
- Installation instructions #MSR-0269 included
- ANSI/TIA-568-C and UL 1863 compliant
- Country Of Origin: Taiwan
- TAA Compliant

Part No: ICMPP25CMB
Rev: A
Page 1 of 2

| 888-ASK-4ICC | icc.com | csr@icc.com |





NOTE: UNLESS OTHERWISE SPECIFIED

1. MATERIAL: ABS, UL 94-V-0
2. COLOR: BLACK