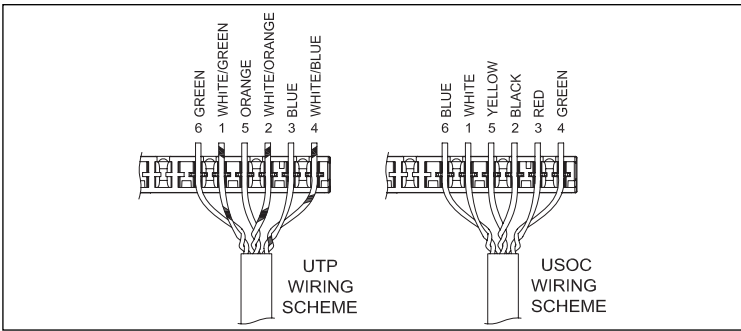


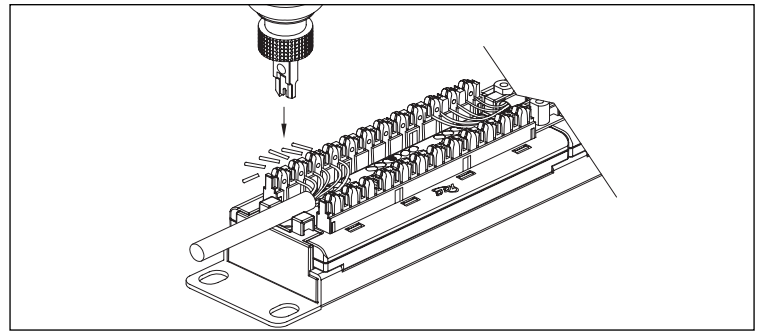


# Voice Grade USOC Patch Panels

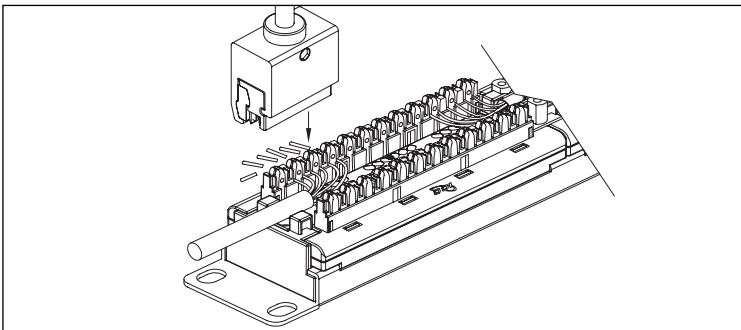
## I N S T A L L A T I O N I N S T R U C T I O N S



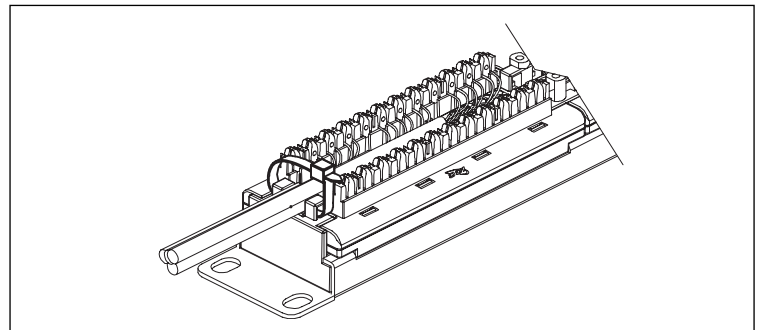
**Step 1.** Choose between UTP or USOC wiring configuration.



**Step 2A.** Terminate conductors using a single blade punch down tool.

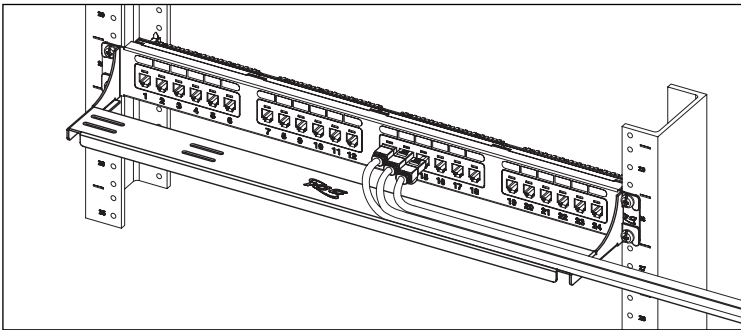


**Step 2B.** Terminate conductors using a four pair punch down tool.

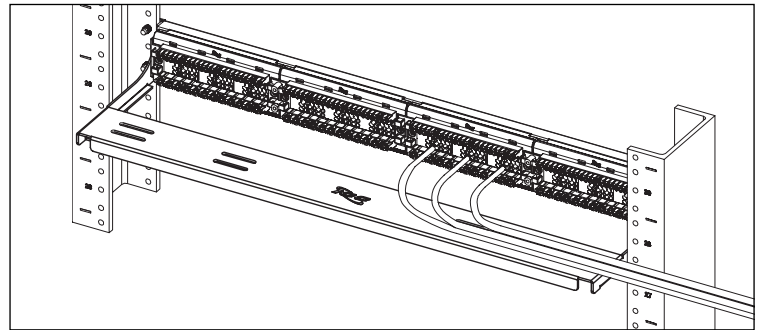


**Step 3.** Use cable ties to secure cable bundles.

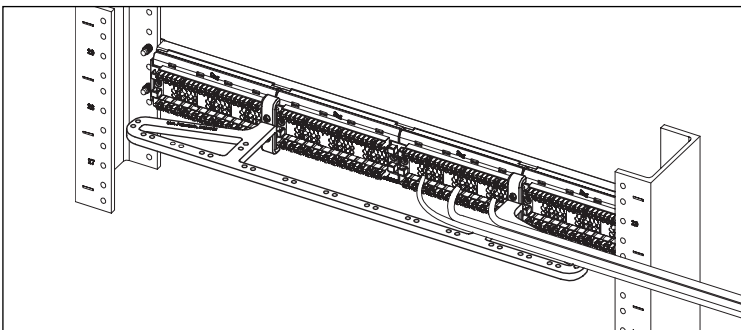
## O P T I O N A L A C C E S S O R I E S



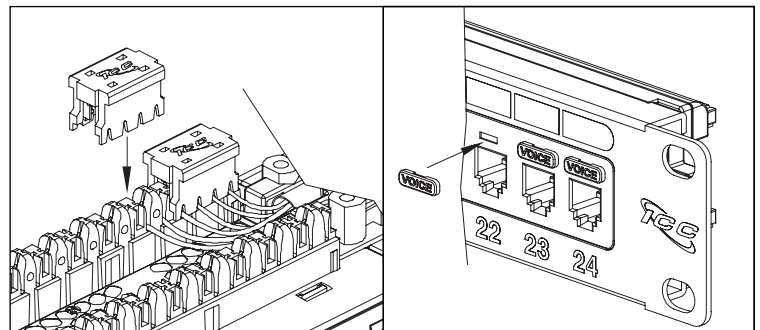
**Optional.** Install cable management in front of the patch panel.



**Optional.** Install metal cable management panel in rear of the patch panel.

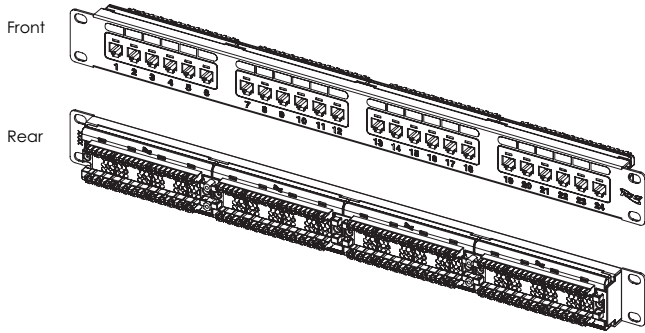


**Optional.** Install plastic cable management bar in rear of the patch panel.

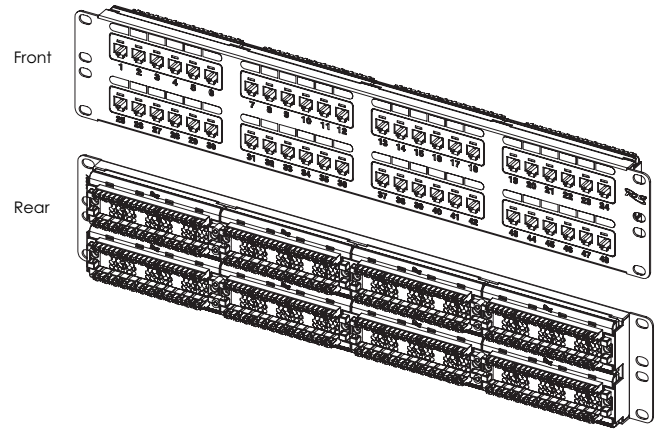


**Optional.** Install retention cap onto IDC. **Optional.** Identify each port with colored icons.

# Voice Grade USOC Patch Panels



Item No.	Description	No. of Ports	Height (H)	#12-24 Screws
ICMPP024U6	Voice	24	1.75"	4

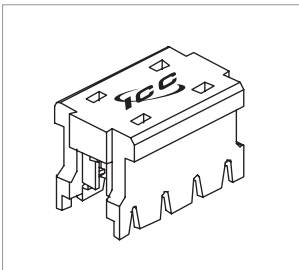


Item No.	Description	No. of Ports	Height (H)	#12-24 Screws
ICMPP048U6	Voice	48	3.50"	8

## F E A T U R E S & B E N E F I T S

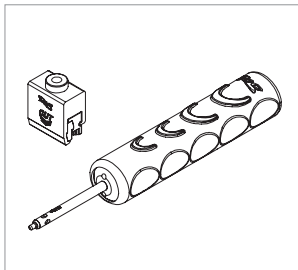
- 6-position 6-conductor ports for USOC voice connectivity applications
- True 110 IDC termination for reduced installation time and improved wire retention
- Meets FCC Part 68, 50 micro inch gold plating on all modular contacts for corrosion resistance and multiple insertions durability
- UL listed

## O P T I O N A L A C C E S S O R I E S



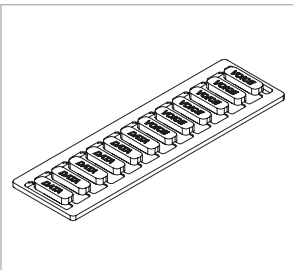
**Retention Caps**  
IC110TC450 50 pcs

- Protects wires and prevents debris
- Works with patch panels



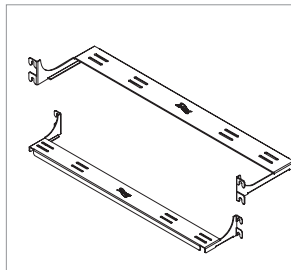
**50kgs 110 Punch-Down Tool**  
ICACSPDT04 Tool Handle  
ICACS04PHS 4-Pair Tool Head

- For use with 110 wiring blocks & patch panels
- Anti-slip rubber grip
- Tool and head sold separately



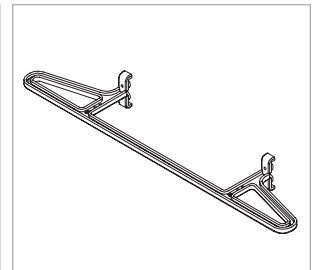
**Patch Panel Color Icons**  
ICMPPSC1xx\* Voice & Data, 6 ea  
ICMPPICDxx\* Data, 12 pcs  
ICMPPICVxx\* Voice, 12 pcs

- Each set includes 12 icons
- For port identification



**Extended Bracket Panel 6-Pack**  
ICCMSFCMC3 Front, 3" Deep  
ICCMSRCMC5 Rear, 5" Deep

- 6 brackets per box
- Provides cable support
- Strong metal construction
- No additional rack mount spaces used



**Cable Management Bar**  
ICMPP25CMB

- Mountable on the back of 110-type patch panel for rear cable support
- ABS plastic for durability