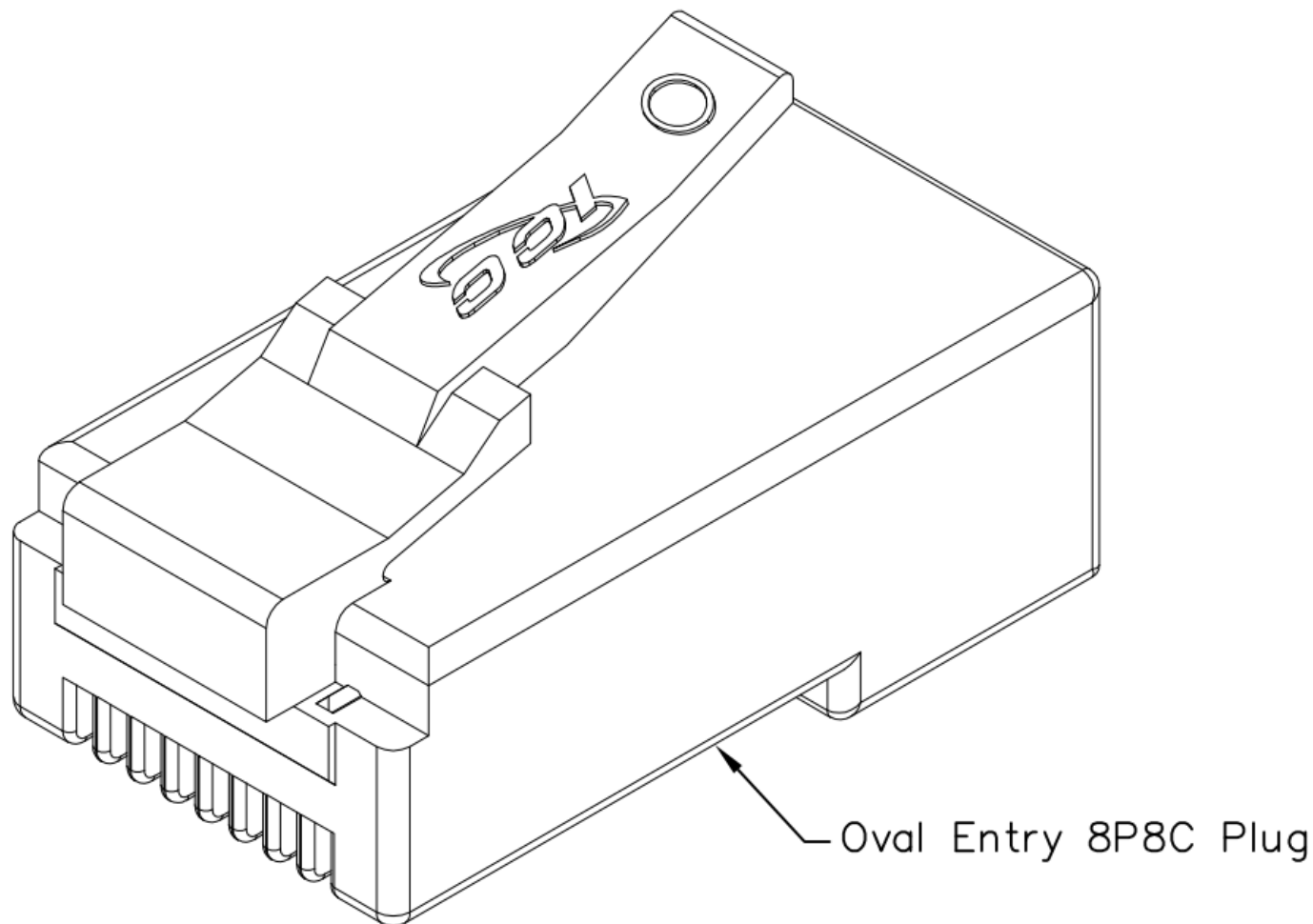


# Oval Entry 8P8C RJ-45 Plug (Solid Wires) 100 Pack

## Package Includes:

A. Oval Entry 8P8C Plug, 100 PCS



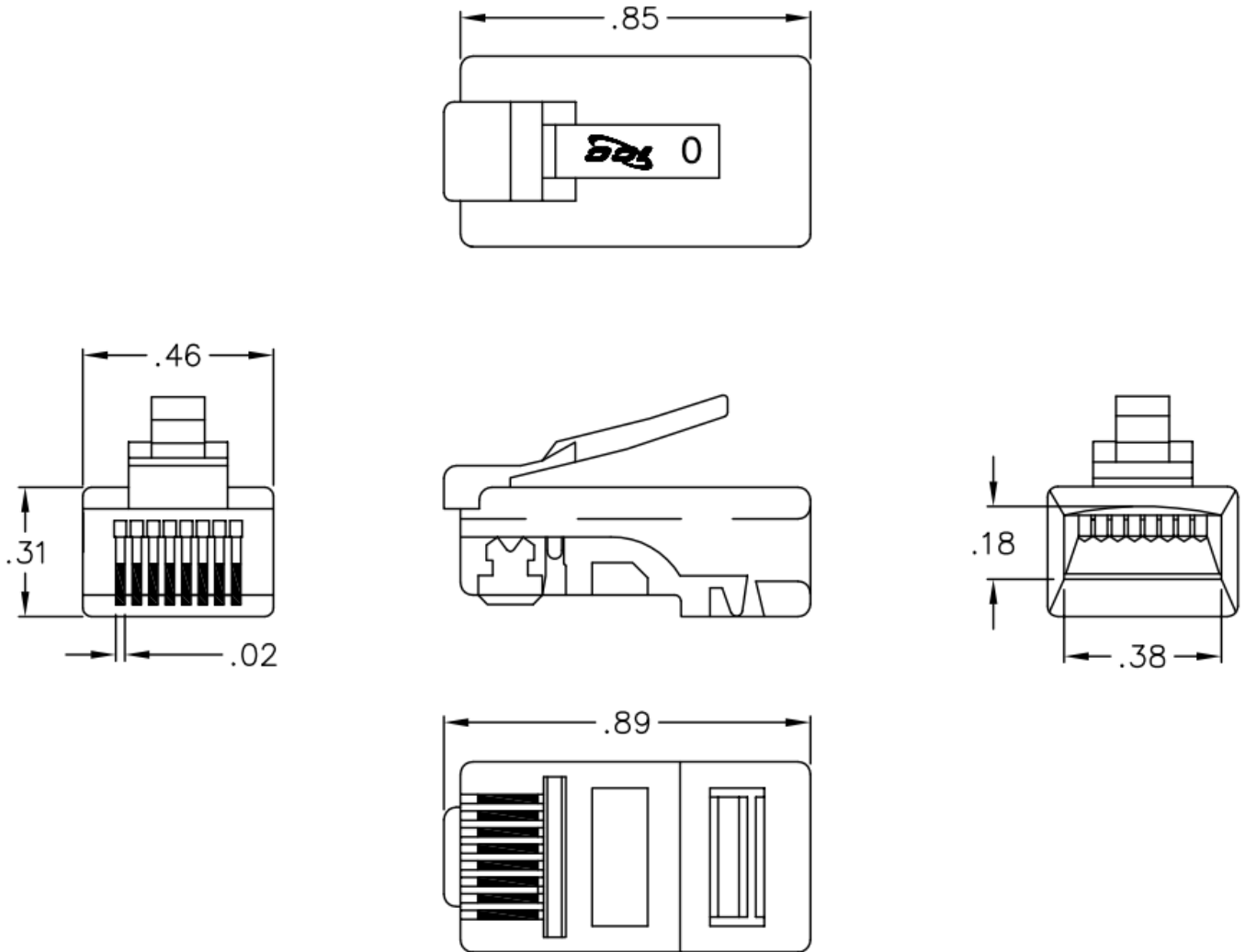
## Features and Benefits

- Designed for 8-position 8-conductor, solid wires, round line cord entry
- Ideal for customization of cords for voice or data applications
- Accepts 28-24 AWG solid wires
- Used with ICACSCT845 and ICACSCT864 crimping tools
- UL recognized
- Country Of Origin: Taiwan
- TAA Compliant

Part No: ICMP8P8SRD  
Rev: C  
Page 1 of 2

| 888-ASK-4ICC | [icc.com](http://icc.com) | [csr@icc.com](mailto:csr@icc.com) |





**NOTE: UNLESS OTHERWISE SPECIFIED**

1. ELECTRICAL:

- A. CURRENT/VOLTAGE RATING: 1.5 AMPS / 30 VAC 42 VDC
- B. DIELECTRIC WITHSTANDING VOLTAGE: 1000 VOLTS RMS, 1 MIN (60 Hz)
- C. INSULATION RESISTANCE: 500 MOHMS MIN
- D. TERMINATION RESISTANCE: 35 MILLIOHMS MAX AFTER ENVIRONMENTAL TESTING

2. MATERIAL & FINISH:

- A. HOUSING: PC, UL 94V-2
- B. COLOR: CLEAR
- C. CONTACT: PHOSPHOR BRONZE, GOLD PLATING OVER 100 MICRO INCH NICKEL
- D. GOLD PLATING: 1.27 MICRON/50 MICRO INCH MIN