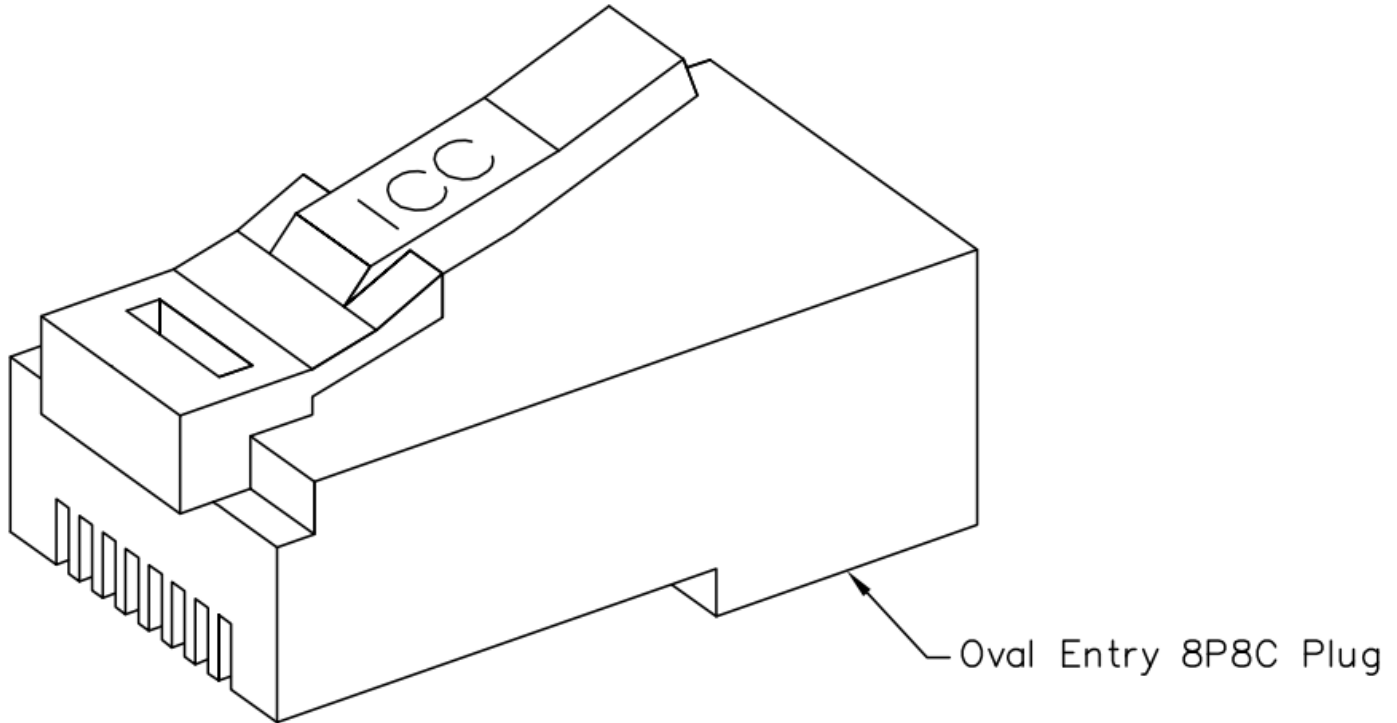


Oval Entry 8P8C RJ-45 Plug (Stranded Wires) 100 Pack

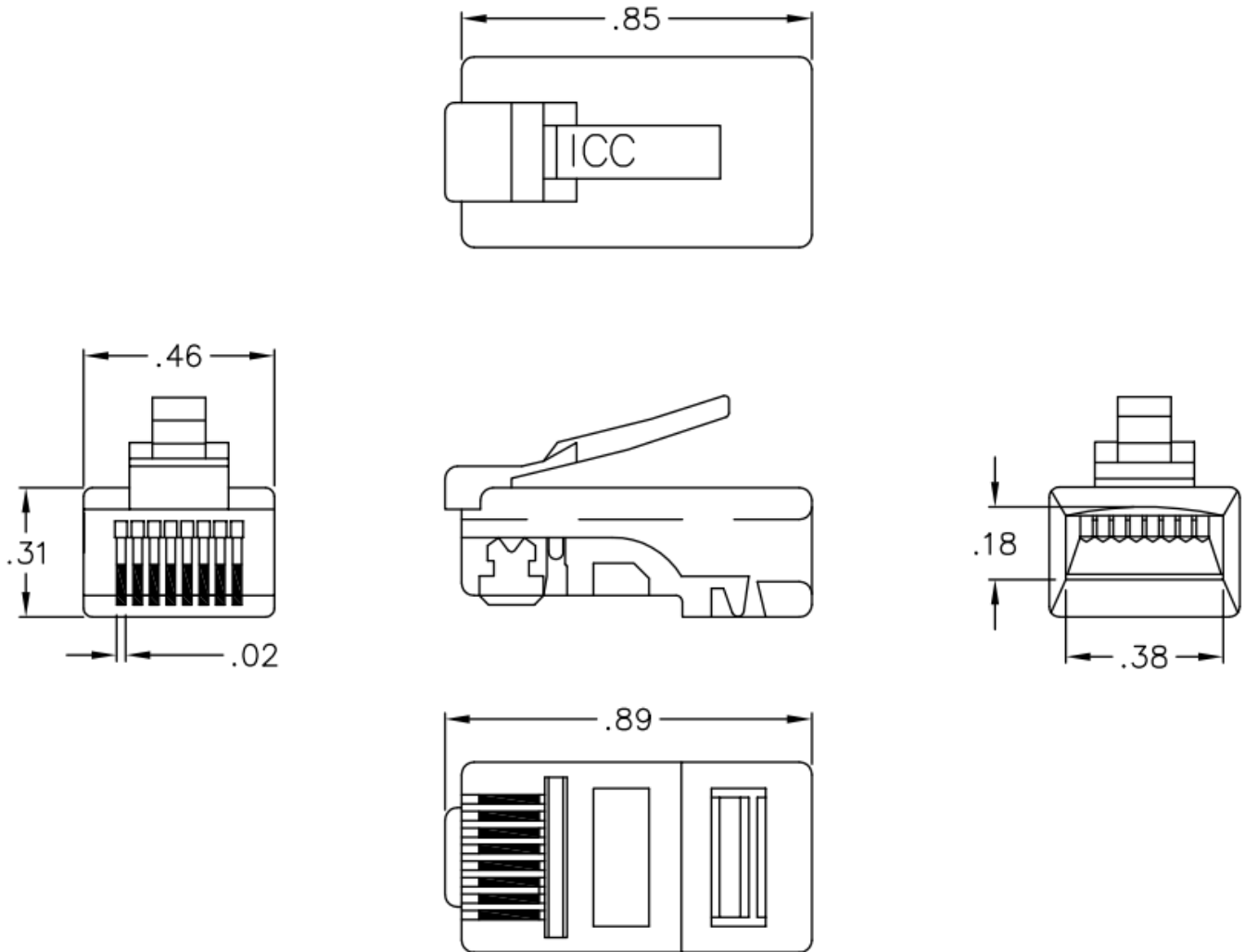
Package Includes:

A. Oval Entry 8P8C Plug, 100 PCS



Features and Benefits

- Designed for 8-position 8-conductor, stranded wires, round line cord entry
- Ideal for customization of cords for voice or data applications
- Accepts 28-24 AWG stranded wires
- Used with ICACSCT845 and ICACSCT864 crimping tool
- UL recognized
- Country Of Origin: Taiwan
- TAA Compliant



NOTE: UNLESS OTHERWISE SPECIFIED

1. ELECTRICAL:
 - A. UL APPLICATIONS: RATED 2A, 150V
 - B. DIELECTRIC WITHSTANDING VOLTAGE: 500 VOLTS AC
 - C. INSULATION RESISTANCE: 500 MOHMS
 - D. TERMINATION RESISTANCE: 35 MILLIOHMS MAX AFTER ENVIRONMENTAL TESTING
2. MECHANICAL
 - A. CABLE-TO-PLUG TENSILE STRENGTH: 20 LBS [89N] MIN
 - B. DURABILITY: 200 MATING CYCLES
3. MATERIAL & FINISH:
 - A. HOUSING: PC, UL 94V-2
 - B. COLOR: CLEAR
 - C. CONTACT: HIGH STRENGTH COPPER ALLOY, GOLD PLATING OVER 100 MICRO INCH NICKEL
 - D. GOLD PLATING: 1.27 MICRON/50 MICRO INCH MIN
 - E. CONDUCTOR: 24, 26, 28 AWG STRANDED