



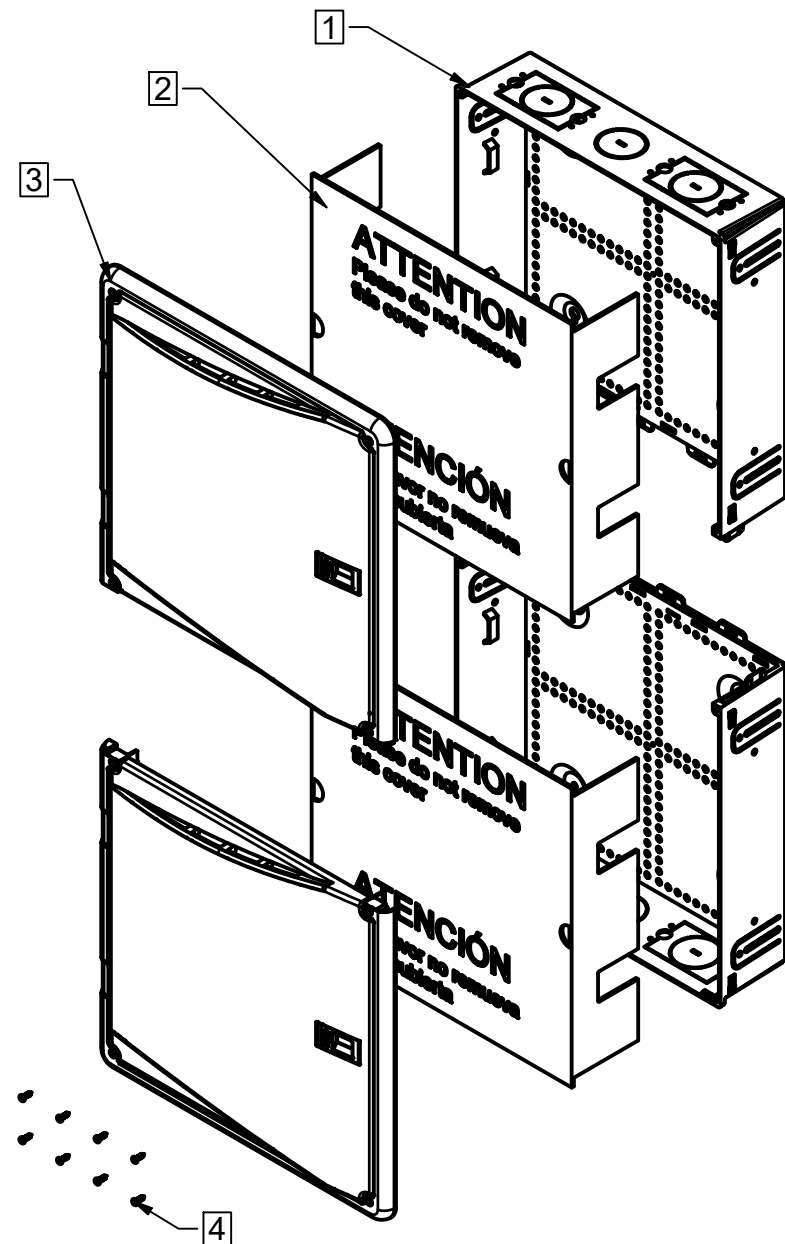
28" Plastic Net Media center

C O N T E N T A N D I N F O R M A T I O N

A S S E M B L Y I N S T R U C T I O N S

ICRESDP28K & ICRESDP28W

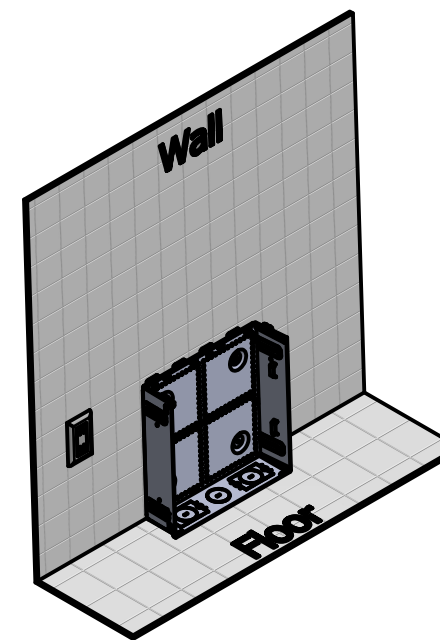
ICC's 28-inch residential wiring enclosure with doors is designed for single-family homes. It serves as the central distribution point for voice, data, video, audio, and security services. The enclosure is lightweight and made with ABS plastic to prevent cracking and allow better Wi-Fi reception. The base is designed to be mounted professionally between 16" wall studs, inside the wall, or wall mounted if the walls have already been installed and painted. The enclosure is designed to accommodate ICC's and most other manufacturer's modules. The ventilated screw down doors dissipate heat and are reversible to swing open left or right.



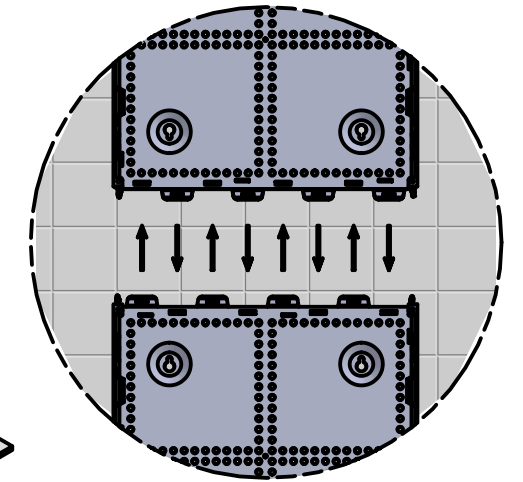
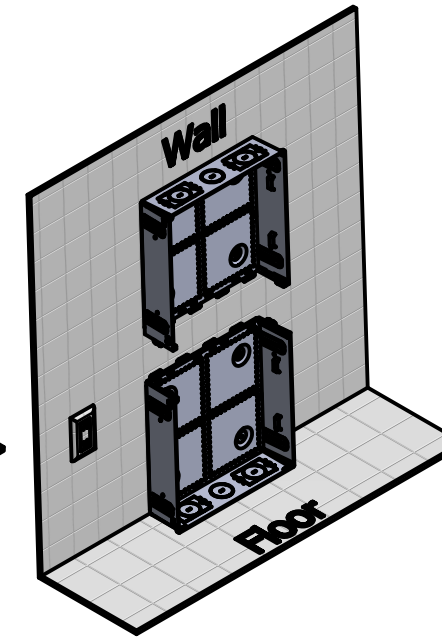
Package Content

1. Enclosure 2ea. (29.33" x 15.55" x 5.6 ")
2. Protective Cardboard Cover 2ea. (13.2" x 10.1" x 3.5")
3. Doors 2ea. (15.00" x 15.00" x 1.00")
4. #6-32 x 5/8" Machine Screw 8 pieces
5. Connectivity Modules Included:
 1. ICRESDP28K:
 - A. 6 Port 2GHz Video Splitter 1x6, 1 Piece (ICRESAV66L) with plastic bracket
 - B. 8 Port Telephone Module W/RJ31x, 1 Piece (ICRESVPA3C)
 - C. 8 Port CAT 6 Module, 1 Piece (ICRESDPB3C)
 2. ICRESDP28W:
 - A. 8 Port Telephone Module W/RJ31x, 1 Piece (ICRESVPA3C)
 - B. 8 Port CAT 6 Module, 1 Piece (ICRESDPB3C)

Step 1: Place one side of base against a wall and floor.



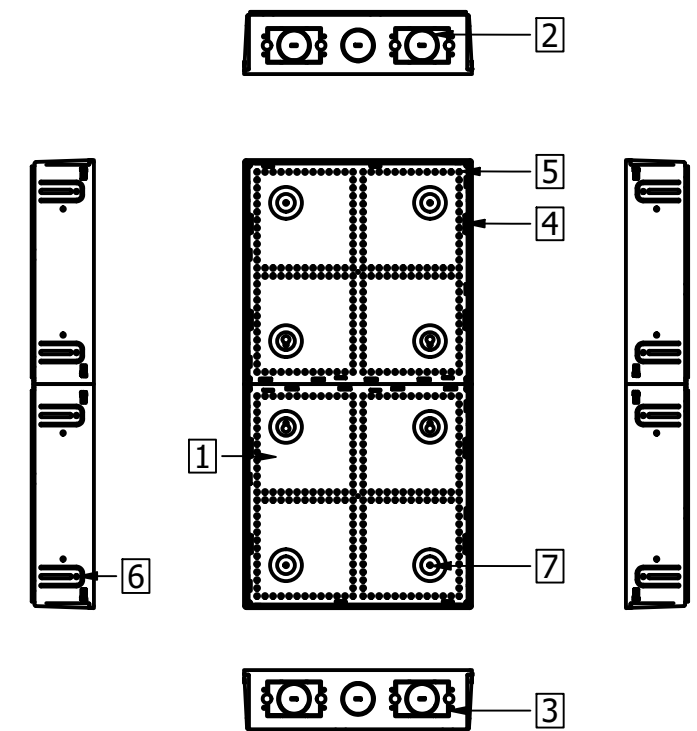
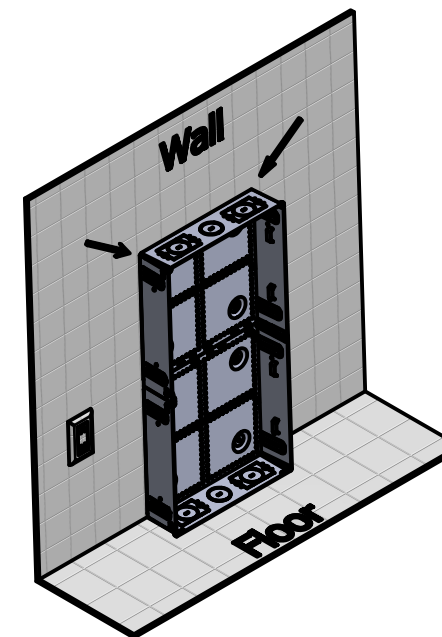
Step 2: Align the locking tabs of the first and second base.



Features

- 1) Light-weight ABS plastic construction
- 2) 3 top & 3 bottom knockouts
- 3) 2 bottom & 2 top electrical knockouts
- 4) 4 Cable management tabs
- 5) Module mounting hole pattern
- 6) Extendable mounting tabs
- 7) 8 surface screw mount holes

Step 3: Press on the back corners of the top piece at the same time until all 12 tabs lock in place.



E-mail us: cs@icc.com Go online: www.icc.com

© Copyright 2020, ICC. ICC and ICC logo are registered trade name and trademark. All rights reserved.



28" Plastic Net Media center

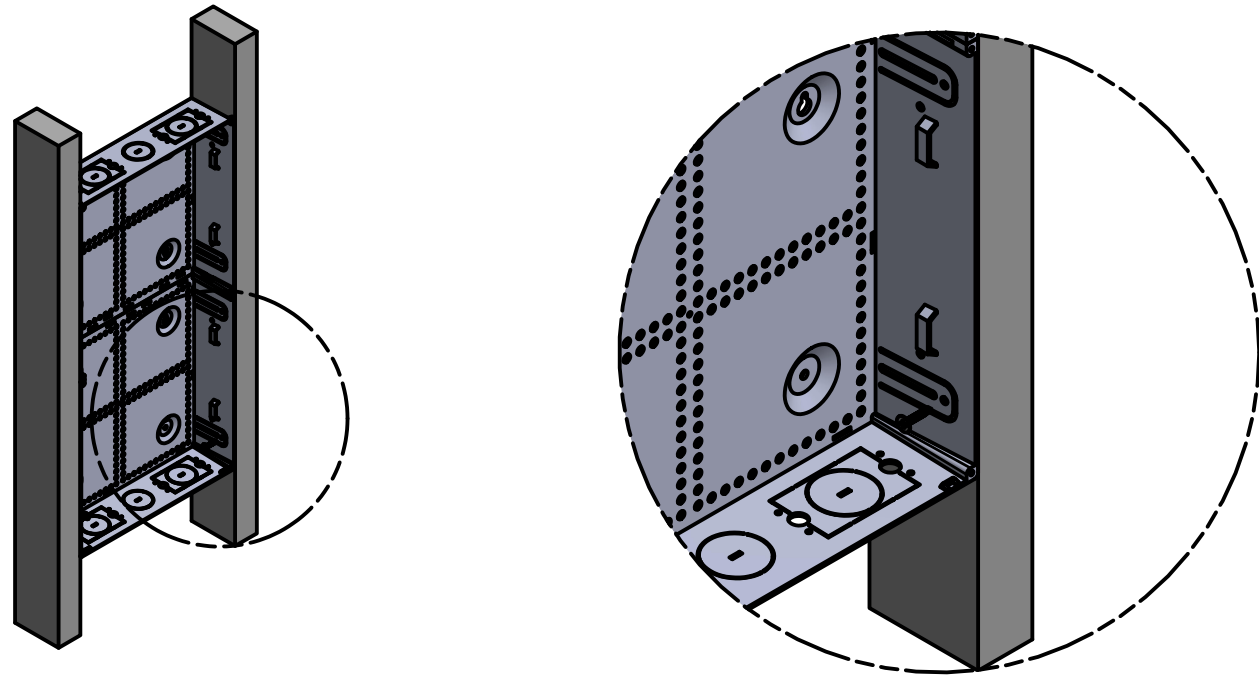
I N S T A L L A T I O N I N S T R U C T I O N S

I N S T A L L A T I O N I N S T R U C T I O N S

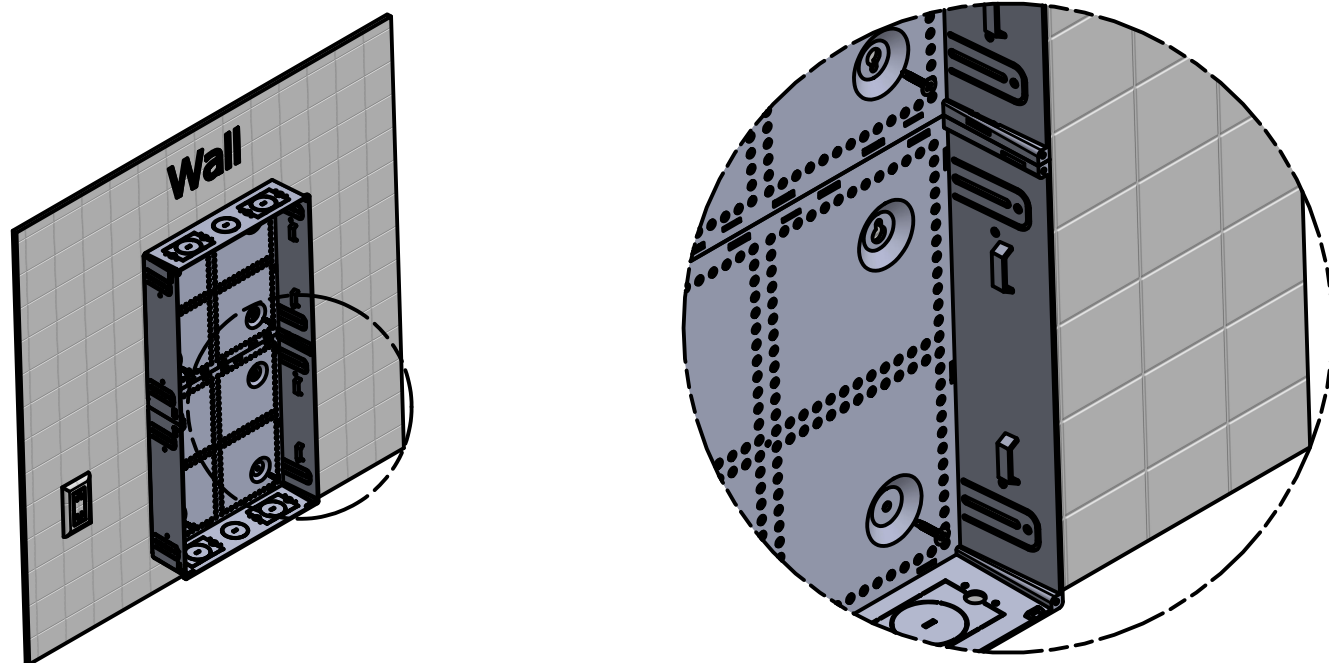
Step 1: Enclosure Mounting

Adjust the enclosure according to the thickness of the drywall/sheetrock. Use the drywall markings on the side of the enclosure for guidance.

Stud Mount

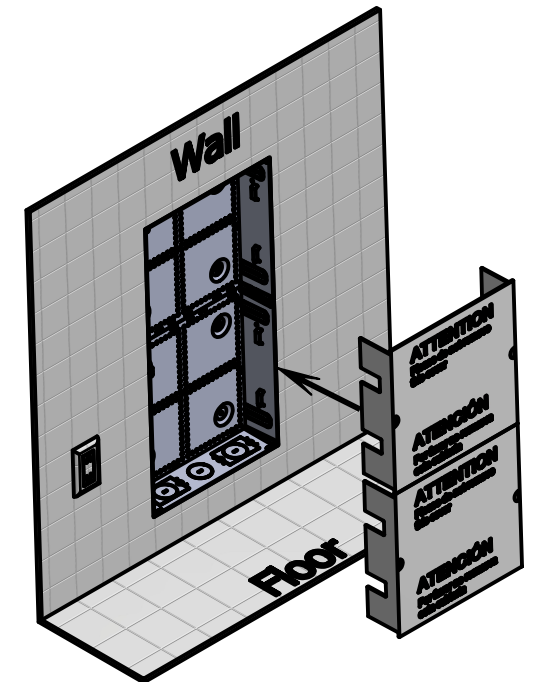
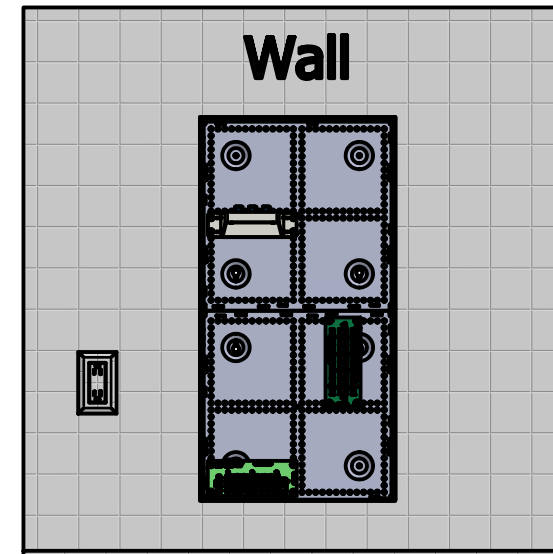


Surface Mount



Step 2: Protective Cover Installation

Place the protective covers into the enclosure. The protective covers help maintain the enclosure clean and free from debris during the rest of the installation.



Step 3: Modules Installation

1. Mount modules vertically or horizontally

Step 4: Door Installation

1. Select the direction that the door needs to open
2. Install one door at a time by aligning the holes that are located at each corner and using the provided screws.
Note: Do not tighten screws until the 2nd door is positioned in place.
3. Align the keys on the frame and, repeat previous step for second door.

