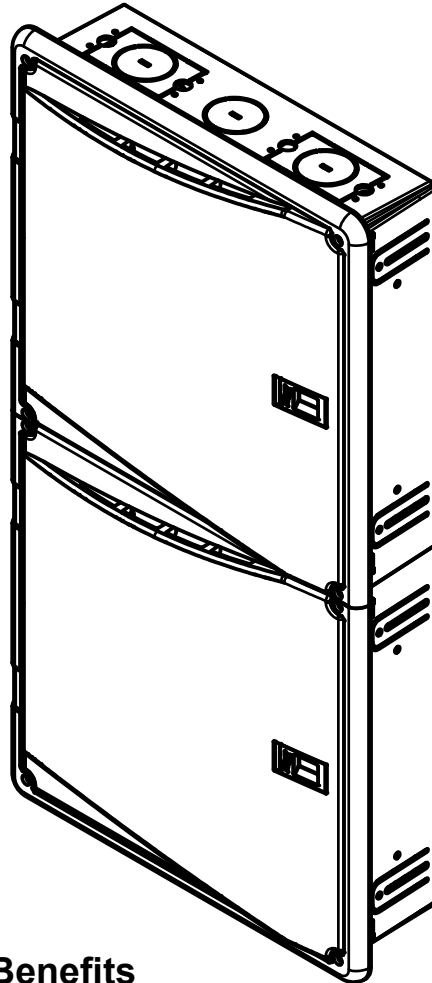


## 28" Plastic Net Media Center Combo with 8 Port Voice, Data & Video



### Package Includes:

- A. 28" Plastic Net Media Center, **2 Pieces**
- B. Net Media Center Door, **2 Pieces**
- C. Cardboard Protective Cover, **2 Pieces**
- D. CAT 6 Module, Data, 8- Port , **1 Piece**
- E. Telephone Module, 8-Port w/RJ31X, **1 Piece**
- F. Resi Module, 2 GHz Video Splitter, 1x6, **1 Piece**
- G. 6-18 x 3/4", Nickel Plated, Pan Head Phillips, Self-Tapping Screw, **8 Pieces**
- H. 10-16 x 1" Zinc Plated, Flat Head Phillips, Wood Screw, **4 Pieces**
- I. Wiring Location Sheet, **1 Sheet**
- J. Protective Cover, **1 Piece**

### Features and Benefits

- Designed to serve as the central distribution point for voice, data, video, audio, and security services
- Allows for internal modules to be mounted horizontally or vertically facilitating layout and wiring of systems, while providing optimum cable management.
- Works with connectivity modules with push and pull fasteners
- Snap-in system enables users to quickly insert or move internal modules
- Includes 3 Top, 3 Bottom knockouts for routing cables and 8 tie points.
- Includes a 4 knockouts for optional AC power outlets (Not included) to provide power distribution.
- Build with ABS plastic, lightweight, and sturdy
- Fits between 16" studs or can be wall mounted
- Depth mark on the enclosure simplifies adjustment for drywall depths ( 1/2", 5/8", 3/4" )
- Enclosure combos are not designed to be installed in firewall applications
- The screw-down doors are vented to dissipate heat and reversible to swing open left or right
- Accommodates all of ICRESXXXXX residential modules
- Used with optional accessories including ICRDSDCAC2 distribution center rubber grommets.
- Complies with ETL, TIA-568-C, TIA-570-B and TIA-607 standards

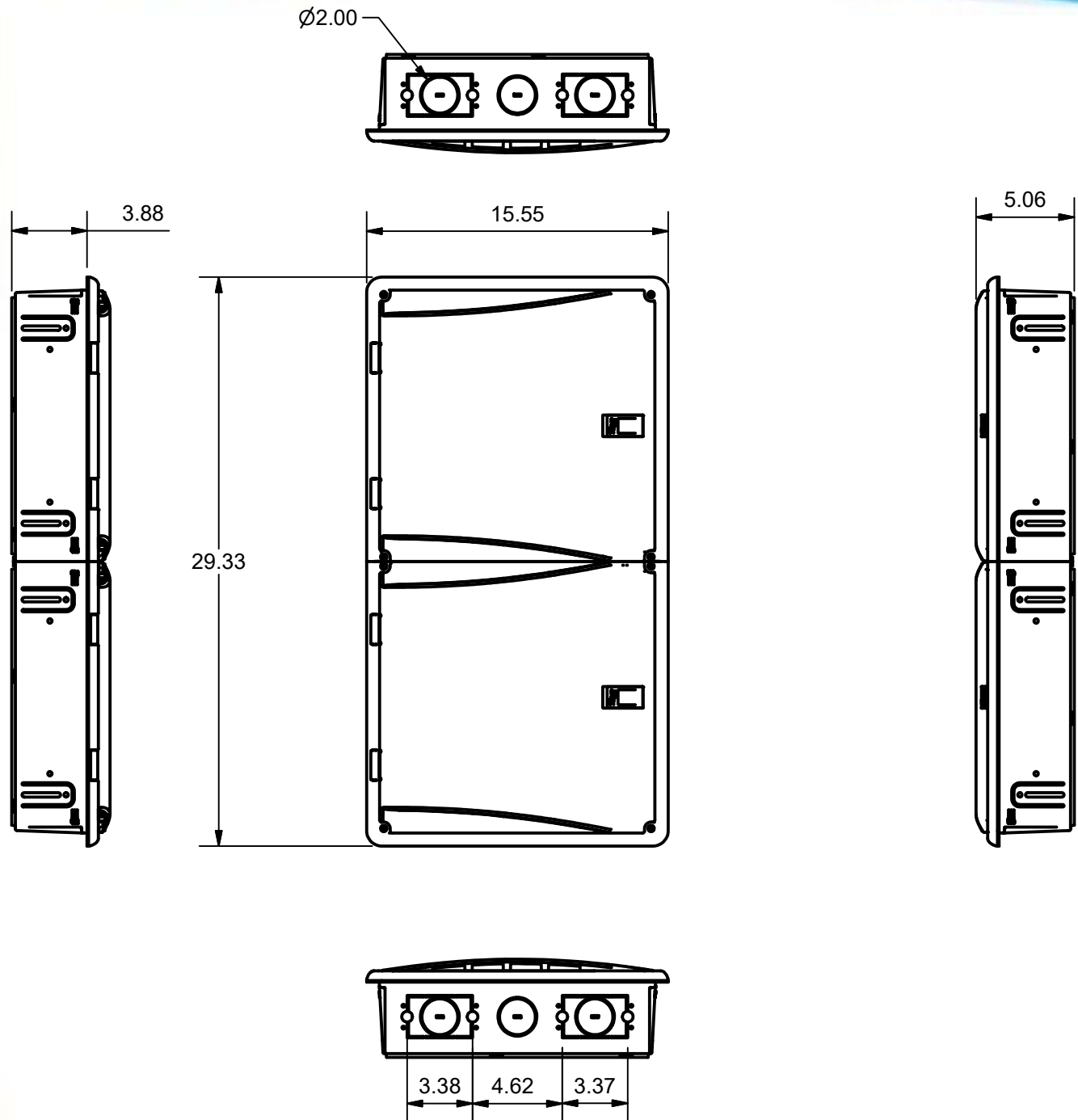
Part No: ICRESDP28K

Rev: A3

Page 1 of 5

icc.com | cs@icc.com





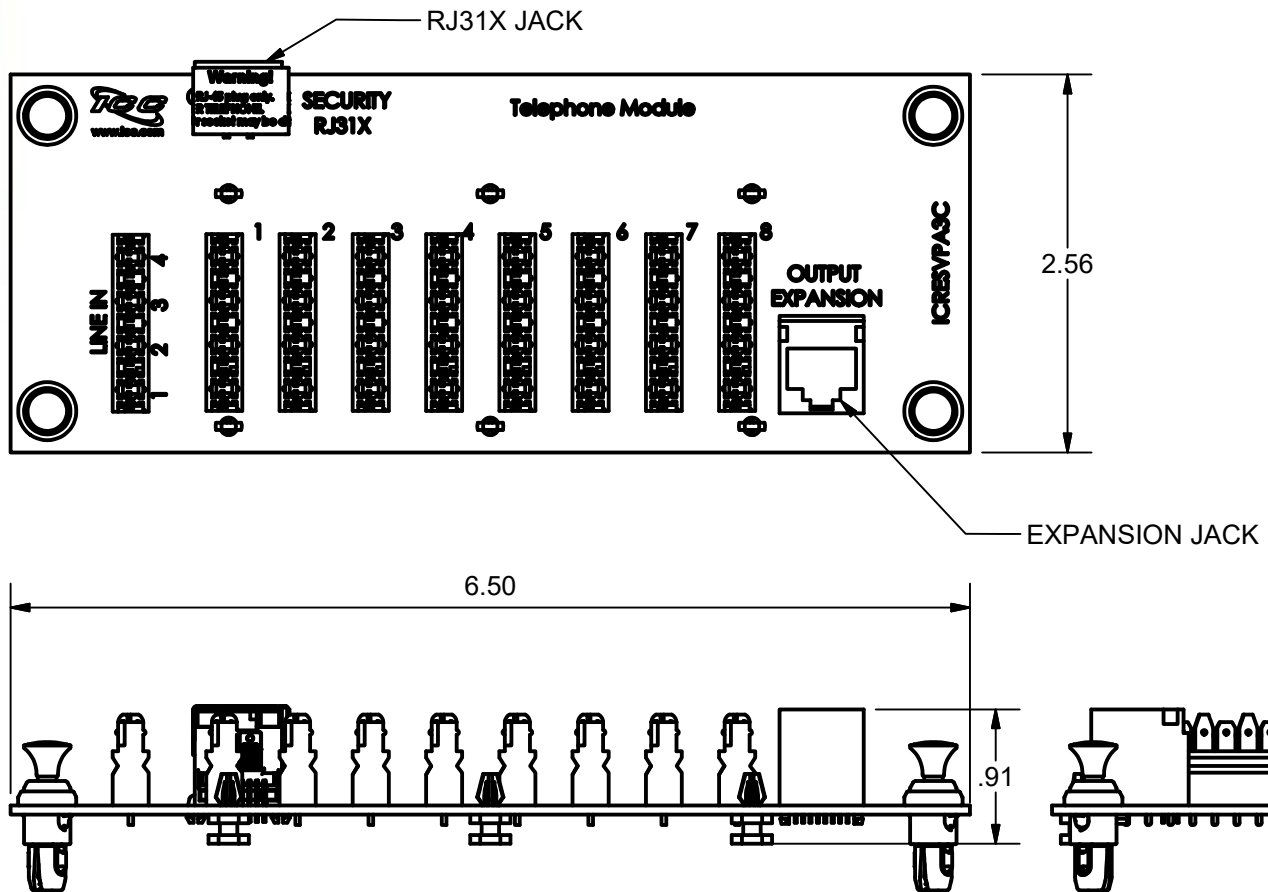
**NOTE: UNLESS OTHERWISE SPECIFIED**

- Material: ABS, UL 94V-0
- Color: White
- Finish: Matte

Part No: ICRESDP28K  
 Rev: A3  
 Page 2 of 5

icc.com | cs@icc.com





**NOTE: UNLESS OTHERWISE SPECIFIED**

1. 8- PORT TELEPHONE MODULES WITH RJ31X JACK:

A. PCB: GLASS EPOXY FR-4 COPPER CLAD, t=1.20mm

B. 110 BLOCK:

1. HOUSING: PC, UL 94V-0

2. IDC: PHOSPHOROUS BRONZE, TIN PLATED

C. RJ45 & RJ31X JACK/SOCKET:

1. HOUSING: PBT + 15% FIBER GLASS

2. CONTACT: PHOSPHOROUS BRONZE, 50μ" GOLD PLATED

D. WIRING IN ACCORDANCE TO T568A

2. LOCKING BUTTON: MATERIAL: NYLON6/6, UL 94V-0

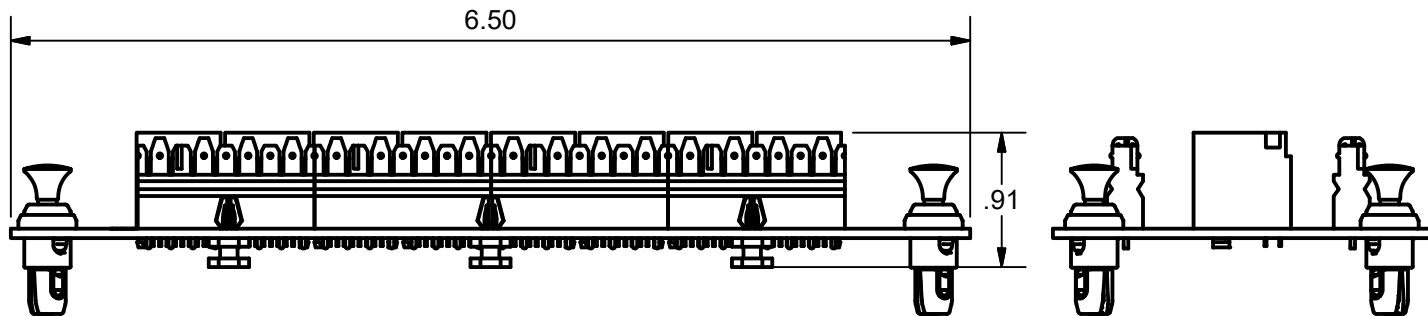
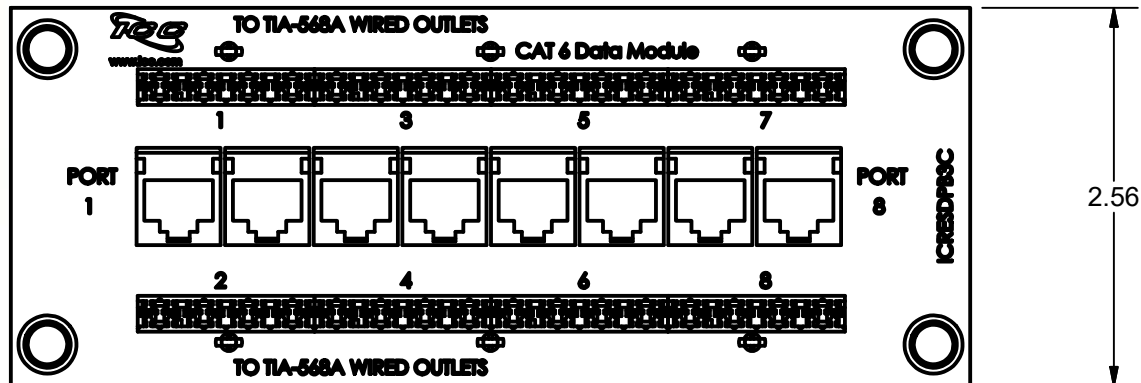
Part No: ICRESDP28K

Rev: A3

Page 3 of 5

icc.com | cs@icc.com





**NOTE: UNLESS OTHERWISE SPECIFIED**

**1. 8-PORT CAT 6 DATA MODULE:**

A. PCB: GLASS EPOXY FR-4 COPPER CLAD,  $t=1.20\text{mm}$

B. 110 BLOCK:

1. HOUSING: PC, UL 94V-0

2. IDC: PHOSPHOROUS BRONZE, TIN PLATED

C. RJ45 JACK/SOCKET:

1. HOUSING: PBT + 15% FIBER GLASS

2. CONTACT: PHOSPHOROUS BRONZE,  $50\mu\text{m}$  GOLD PLATED

D. WIRING IN ACCORDANCE TO T568A

E. CATEGORY 6 RATED

**2. LOCKING BUTTON: MATERIAL: NYLON6/6, UL 94V-0**

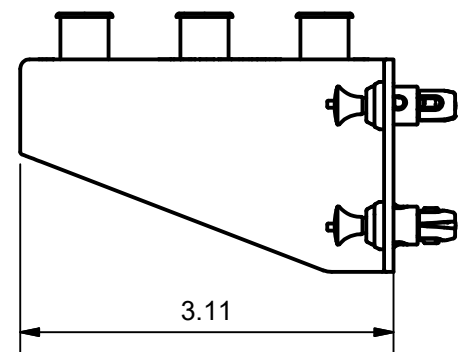
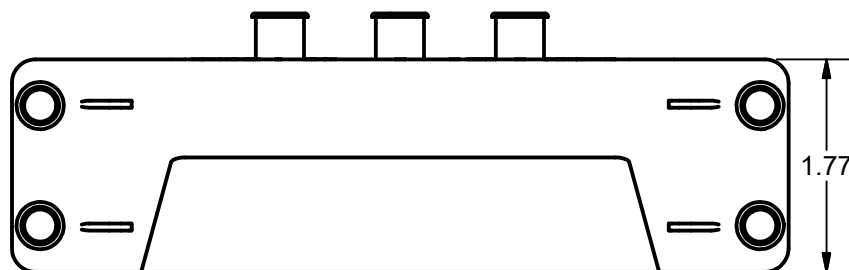
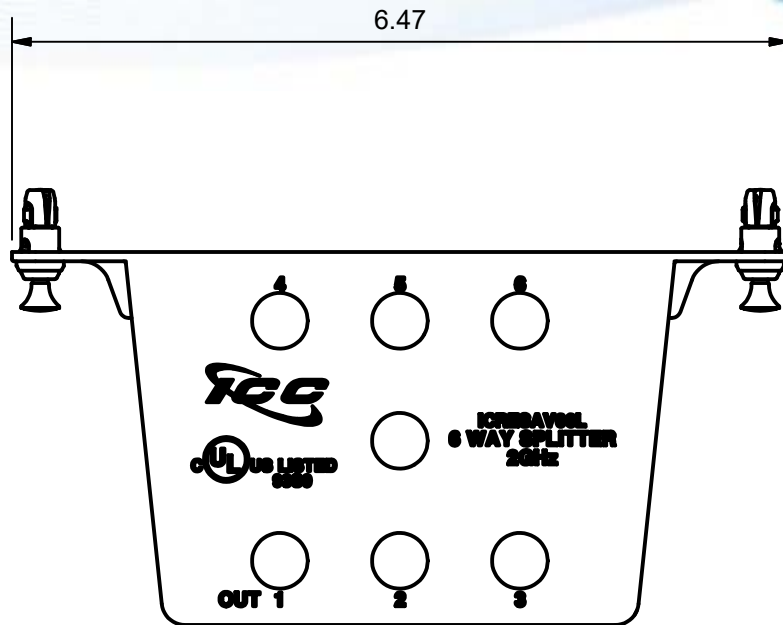
Part No: ICRESDP28K

Rev: A3

icc.com | cs@icc.com

Page 4 of 5





**NOTE: UNLESS OTHERWISE SPECIFIED**

1. 1X6 VIDEO SPLITTER:
  - A. HOUSING: DIE-CASTING WITH NICKEL PLATING
  - B. CONNECTORS: F-TYPE FEMALE
  - C. FREQUENCY RANGE: 5 ~ 2300 MHZ
  - D. INSERTION LOSS: 15 dB TYPICAL
2. MOUNTING BRACKET:
  - A. MATERIAL: ABS PLASTIC
  - B. SURFACE FINISH: MATE WHITE
3. LOCKING BUTTON:
  - A. MATERIAL: NYLON 6/6, UL 94V-0

Part No: ICRESDP28K

Rev: A3

Page 5 of 5

icc.com | cs@icc.com

