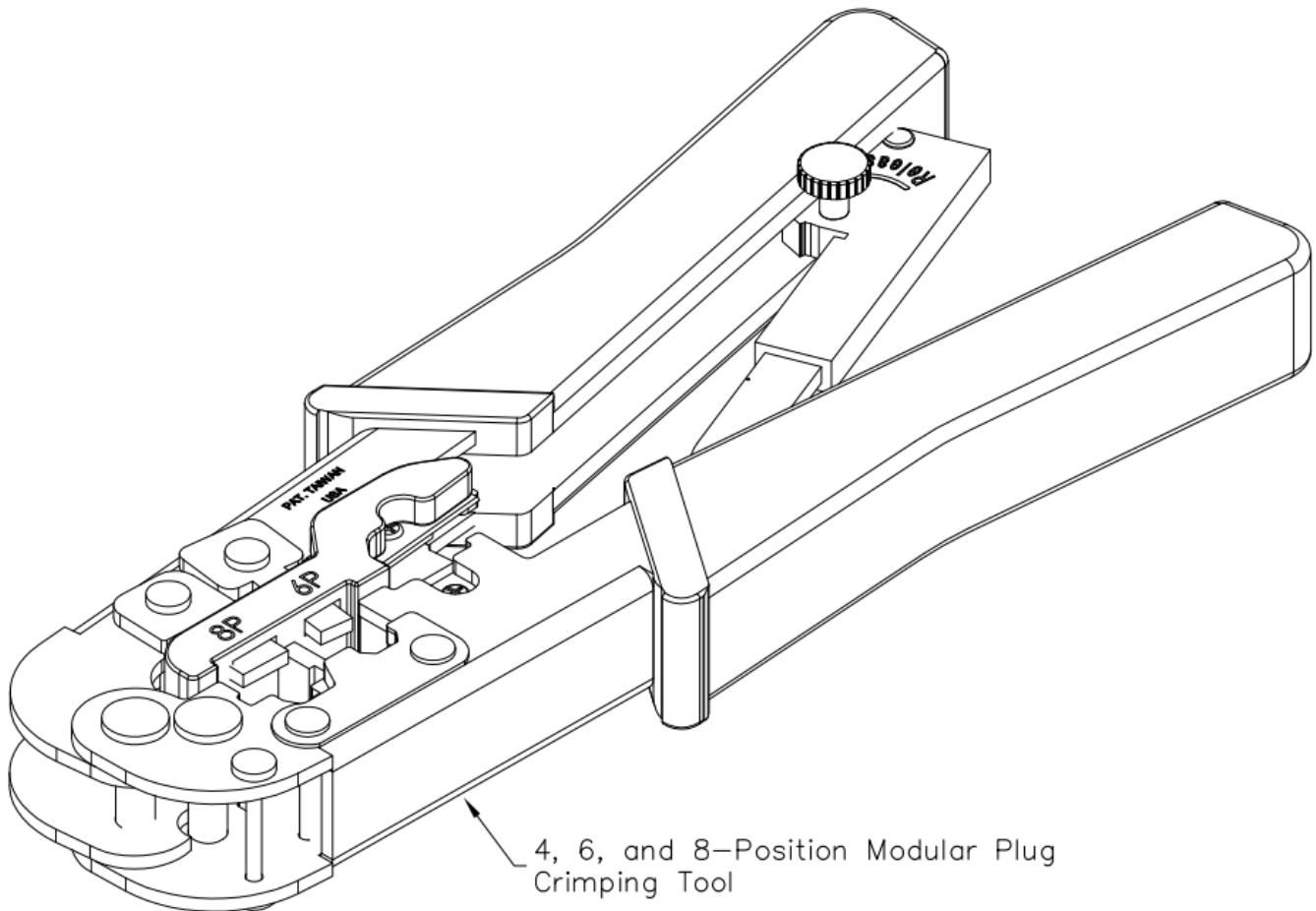


4,6 & 8 Position Modular Plug Crimping Tool

Package Includes:

A. 4, 6, & 8 Position Modular Crimping Tool, 1 PC



Features and Benefits

- Designed with ratchet mechanism providing a complete crimp prior to releasing the plug.
- Ergonomic design providing a firm comfortable grip and preventing slippage during crimping.
- Steel frame constructions for added strength and durability.
- Ideal for crimping 4, 6 and 8-position telephone plugs.
- Crimps up to 2 modular plugs at a time.
- Used with all ICMP4, ICMP6, and ICMP8 modular plugs.
- Country Of Origin: Taiwan

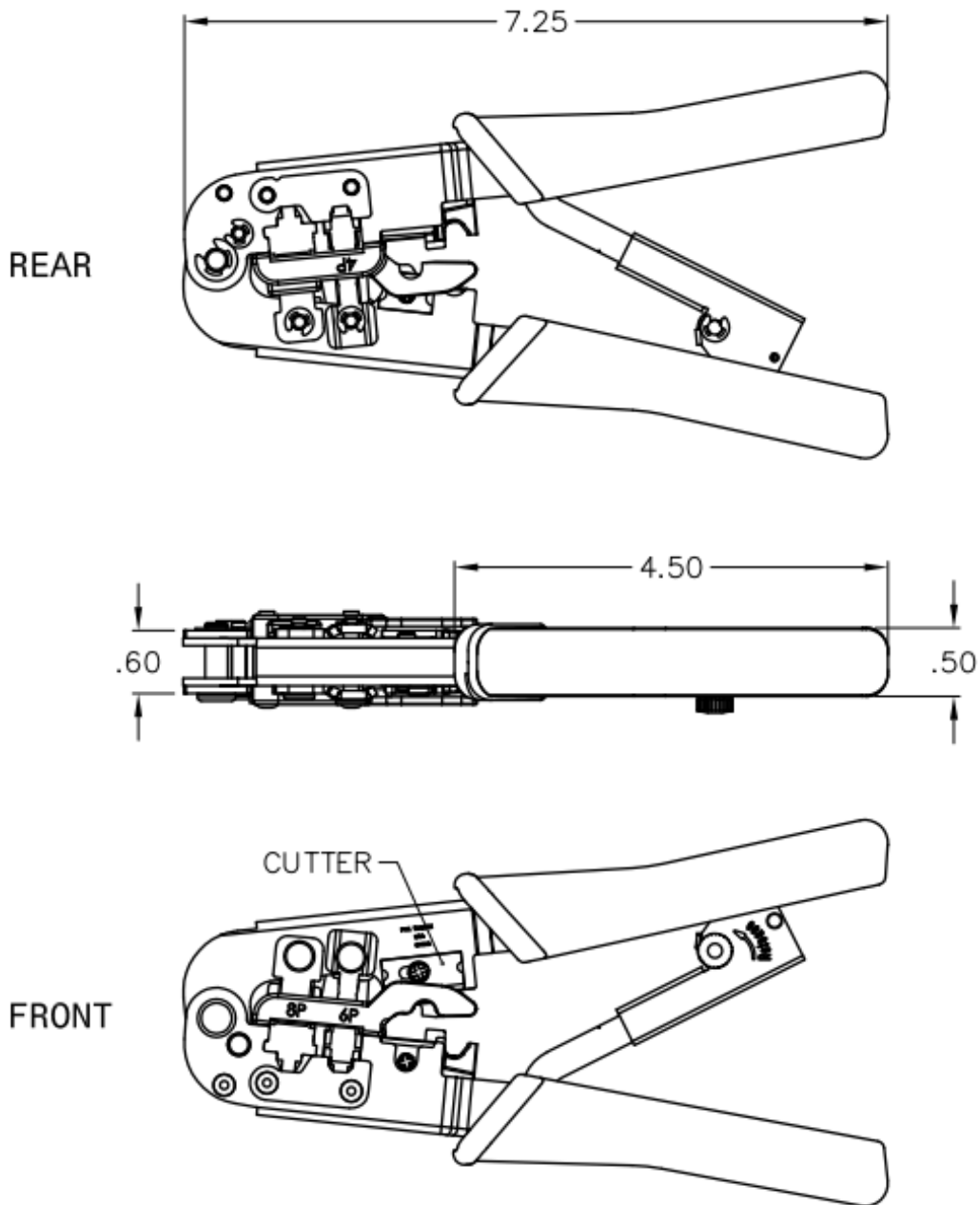
Part No: ICACSCT864

Rev: A

Page 1 of 2

| 888-ASK-4ICC | icc.com | csr@icc.com |





NOTE: UNLESS OTHERWISE SPECIFIED

1. MATERIAL:

- A. FRAME: CARBON STEEL
- B. CRIMPER: CARBON STEEL
- C. HANDLES: PVC DIP GRIP, BLUE
- D. .237" CRIMP DEPTH