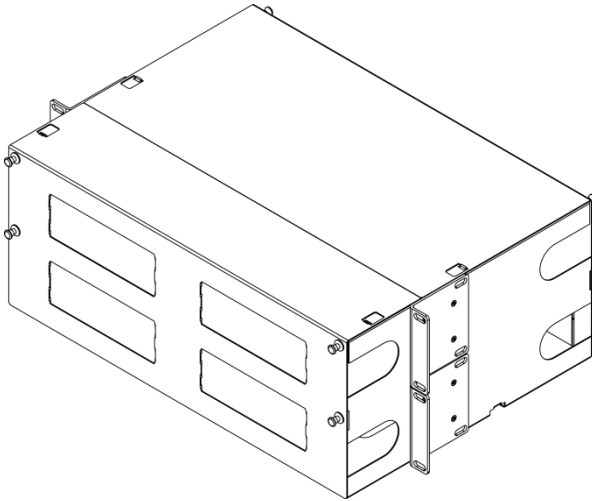


12-Panel Fiber Optic Rack Mount Enclosure

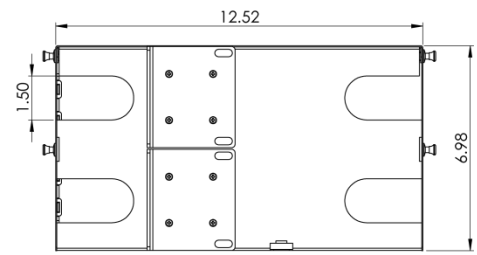
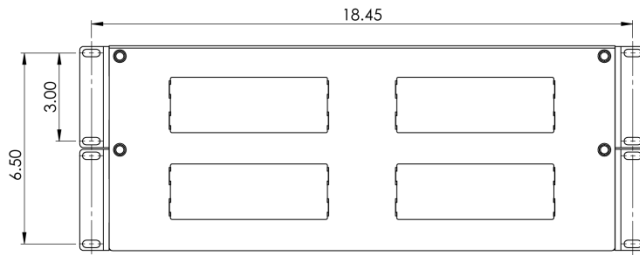
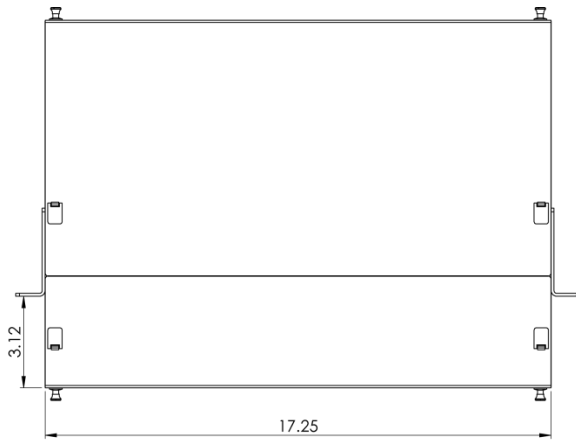


Package Includes:

- A. 12-Panel Rack Mount Enclosure, 1 Piece**
- B. Cable Management Spool, 4 Pieces**
- C. M5-0.8 Nut, 4 Pieces**
- D. Hook and Loop Ties, 10 Pieces**
- E. Location Identification Label, 4 Pieces**
- F. Danger Label, 1 Piece**
- G. #12-24 x 5/8" Pan Head, Pilot Point Machine Screw, 8 Pieces**
- H. Installation Instructions, 1 Sheet**

Features and Benefits

- Slide out tray with front and rear metal covers
- Front and rear openings designed to allow room for easy cable access and exit and also help minimize cable build up
- High quality material and folded edge design allow for strength and durability
- LGX® Compatible
- Designed to fit all standard 19" racks and cabinets
- Holds 12 ICFOP fiber optic adapter panels or ICFCxxxxx MPO Cassette
- Accepts five ICFOSKFM12 splice trays
- Transparent front window for visibility. Allow monitoring and troubleshooting with enclosure closed
- 4 Rack Mount Space



NOTE: UNLESS OTHERWISE SPECIFIED

1. Material:

A. Enclosure: 20 Gauge CRS

B. Adapter Panel: 16 Gauge CRS

2. Finish: Black Powder Coating